



Bandsaws

Models BS-VE-3200-S, 3200-T

Items 10272, 18943

Instruction Manual



Revised - 05/23/2024



Toll Free: 1-800-465-0234
Fax: 905-607-0234
Email: service@omcan.com
www.omcan.com



Table of Contents

Model BS-VE-3200-S / Model BS-VE-3200-T

Section	Page
General Information -----	3 - 4
Safety and Warranty -----	4 - 5
Technical Specifications -----	6
Installation -----	6
Operation -----	6 - 7
Maintenance -----	7 - 8
Parts Breakdown -----	9 - 18
Electrical Schematics -----	19 - 20
Notes -----	21 - 22
Warranty Registration -----	23



General Information

Omcan Manufacturing and Distributing Company Inc., Food Machinery of America, Inc. dba Omcan and Omcan Inc. are not responsible for any harm or injury caused due to any person's improper or negligent use of this equipment. The product shall only be operated by someone over the age of 18, of sound mind, and not under the influence of any drugs or alcohol, who has been trained in the correct operation of this machine, and is wearing authorized, proper safety clothing. Any modification to the machine voids any warranty, and may cause harm to individuals using the machine or in the vicinity of the machine while in operation.

CHECK PACKAGE UPON ARRIVAL

Upon receipt of an Omcan shipment please inspect for external damage. If no damage is evident on the external packaging, open carton to ensure all ordered items are within the box, and there is no concealed damage to the machine. If the package has suffered rough handling, bumps or damage (visible or concealed), please note it on the bill of lading before accepting the delivery and contact Omcan within 24 hours, so we may initiate a claim with the carrier. A detailed report on the extent of the damage caused to the machine must be filled out within three days, from the delivery date shown in the shipping documents. Omcan has no recourse for damaged products that were shipped collect or third party.

Before operating any equipment, always read and familiarize yourself with all operation and safety instructions.

Omcan would like to thank you for purchasing this machine. It's of the utmost importance to save these instructions for future reference. Also save the original box and packaging for shipping the equipment if servicing or returning of the machine is required.

Omcan Fabrication et distribution Compagnie Limité et Food Machinery d'Amérique, dba Omcan et Omcan Inc. ne sont pas responsables de tout dommage ou blessure causé du fait que toute personne ait utilisé cet équipement de façon irrégulière. Le produit ne doit être exploité que par quelqu'un de plus de 18 ans, sain d'esprit, et pas sous l'influence d'une drogue ou d'alcool, qui a été formé pour utiliser cette machine correctement, et est vêtu de vêtements de sécurité appropriés. Toute modification de la machine annule toute garantie, et peut causer un préjudice à des personnes utilisant la machine ou des personnes à proximité de la machine pendant son fonctionnement.

VÉRIFIEZ LE COLIS DÈS RÉCEPTION

Dès réception d'une expédition d'Omcan veuillez inspecter pour dommages externes. Si aucun dommage n'est visible sur l'emballage externe, ouvrez le carton afin de s'assurer que tous les éléments commandés sont dans la boîte, et il n'y a aucun dommage dissimulé à la machine. Si le colis n'a subi aucune mauvaises manipulations, de bosses ou de dommages (visible ou cachée), notez-le sur le bond de livraison avant d'accepter la livraison et contactez Omcan dans les 24 heures qui suivent, pour que nous puissions engager une réclamation auprès du transporteur. Un rapport détaillé sur l'étendue des dommages causés à la machine doit être rempli dans un délai de trois jours, à compter de la date de livraison indiquée dans les documents d'expédition. Omcan n'a aucun droit de recours pour les produits endommagés qui ont été expédiés ou cueillis par un tiers transporteur.

Avant d'utiliser n'importe quel équipement, toujours lire et vous familiariser avec toutes les opérations et les

General Information

consignes de sécurité.

Omcan voudrais vous remercier d'avoir choisi cette machine. Il est primordial de conserver ces instructions pour une référence ultérieure. Également conservez la boîte originale et l'emballage pour l'expédition de l'équipement si l'entretien ou le retour de la machine est nécessaire.

Omcan Empresa De Fabricacion Y Distribucion Inc. Y Maquinaria De Alimentos De America, Inc. dba Omcan y Omcan Inc. no son responsables de ningun daño o perjuicio causado por cualquier persona inadecuada o el uso descuidado de este equipo. El producto solo podra ser operado por una persona mayor de 18 años, en su sano juicio y no bajo alguna influencia de droga o alcohol, y que este ha sido entrenado en el correcto funcionamiento de esta máquina, y ésta usando ropa apropiada y autorizada. Cualquier modificación a la máquina anula la garantía y puede causar daños a las personas usando la máquina mientras esta en el funcionamiento.

REVISE EL PAQUETE A SU LLEGADA

Tras la recepcion de un envio Omcan favor inspeccionar daños externos. Si no hay daños evidentes en el empaque exterior, Habra el carton para asegurarse que todos los articulos solicitados estén dentro de la caja y no encuentre daños ocultos en la máquina. Si el paquete ha sufrido un manejo de poco cuidado, golpes o daños (visible o oculto) por favor anote en la factura antes de aceptar la entrega y contacte Omcan dentro de las 24 horas, de modo que podamos iniciar una reclamación con la compañía. Un informe detallado sobre los daños causados a la máquina debe ser llenado en el plazo de tres días, desde la fecha de entrega que se muestra en los documentos de envío. Omcan no tiene ningun recurso por productos dañados que se enviaron a recoger por terceros.

Antes de utilizar cualquier equipo, siempre lea y familiarizarse con todas las instrucciones de funcionamiento y seguridad.

Omcan le gustaría darle las gracias por la compra de esta máquina. Es de la mayor importancia para salvar estas instrucciones para futuras consultas. Además, guarda la caja original y el embalaje para el envío del equipo si servicio técnico o devolución de la máquina que se requiere.

Safety and Warranty

CAUTION - NOT MEANT FOR FROZEN PRODUCT

MAIN PRECAUTIONS

When incorrectly used, a bandsaw can be a potentially dangerous machine. Cleaning, maintenance or service must always be done by experienced operators, and with the machine disconnected from the electricity supply.

Safety and Warranty

- NEVER use tools not belonging to the machine to help operation.
- KEEP hands off the moving parts of the machine.
- NEVER connect the power source with wet hands or wet clothes.
- ALWAYS ground the machine properly.
- NEVER touch the blade even when it is not in use because its edge is very sharp, it can cause serious cuttings.
- NEVER adjust the cutting regulator (optional) with the blade in motion.
- NEVER use clothes with loosen sleeves specially near the wrist during the cutting operation.
- USE steel gloves during the cutting operation.
- NEVER switch on the machine with one of its doors opened.
- NEVER spray water or other liquid substances directly at motor, power switch or any other electrical components.
- KEEP your working area clean and dry to prevent it from becoming slippery.
- ALWAYS install equipment in working area with adequate light and space away from CHILDREN and visitors.
- NEVER operate without all warning labels attached and owner/operator manual available to operator.
- NEVER leave unattended while operating.
- STOP the machine immediately if you hear abnormal noises, of fear that injuries may occur.
- CONTACT your distributor if you have any problems with the installation and operation of this machine.

RESIDENTIAL USERS: vendor assumes no liability for parts or labor coverage for component failure or other damages resulting from installation in non-commercial or residential applications. The right is reserved to deny shipment for residential usage; if this occurs, you will be notified as soon as possible.

1 YEAR PARTS AND LABOUR WARRANTY

Within the warranty period, contact Omcan Inc. at 1-800-465-0234 to schedule an Omcan authorized service technician to repair the equipment locally.

Unauthorized maintenance will void the warranty. Warranty covers electrical and part failures, not improper use.

Please see <https://omcan.com/disclaimer> for complete info.

WARNING:

The packaging components are classified as normal solid urban waste and can therefore be disposed of without difficulty.

In any case, for suitable recycling, we suggest disposing of the products separately (differentiated waste) according to the current norms.

DO NOT DISCARD ANY PACKAGING MATERIALS IN THE ENVIRONMENT!

Technical Specifications

Model	BS-VE-3200-S	BS-VE-3200-T
Item Number	10272	18943
Power	3 HP / 2.24 kW	
Blade Length	126" / 3200mm	
Blade Saw Dimensions	0.8" x 12.6" / 20 x 320mm	
Cutting Capacity	15" x 18" / 381 x 457mm	
Electrical	220V / 60Hz / 1	220V / 60Hz / 3
Current	11A	9A
Weight	374.8 lbs. / 170 kgs.	
Packaging Weight	414.5 lbs. / 188 kgs.	
Packaging Dimensions	40" x 54" x 96" / 1016 x 1372 x 2438mm	

Installation

Be sure to install the bandsaw in an easily accessible area with plenty of space.

Grounding wire must always be connected.

IMPORTANT: check the tension of the blade by turning the handle clockwise before operating it.

Operation

BEFORE OPERATION

Check and make sure the machine is in a stable location. Wash with warm water and soap all the food-contact parts, and wipe dry. To do it proceed as follows:

1. Switch the machine off and disconnect it from the power source.
2. Open the upper door and lower door by pulling the handle.
3. Loosen the blade turning the handle or calibrator (optional) clockwise and take it out from the upper and lower wheels.
4. Take out the staples which are in front of the upper and lower wheels to be able to pull them out.
5. Assemble the components following the inverse steps.

IMPORTANT: the blade must be well calibrated. Use the handle turning it clockwise to get the right tension of

Operation

the blade. Keep the machine off to adjust the cutting regulator.

OPERATION

Switch on the machine pressing the on/off switch.

Put the product to be processed onto the table, pushing it to the direction of the blade lined up by the cutting regulator (optional), maintaining the thickness of the slice desired.

When pulling back the product do not touch the blade avoiding disconnecting it from the wheels.

Drop a little bit of water onto the fixed table to facilitate the slipping of the product.

Maintenance

COMPONENTS ADJUSTMENT

PULLEY BELT

- The belt must be firmly fixed to prevent it from skidding. Do not tighten it too much because it can wear out quickly.
- To have access to the belt remove the screws with a screwdriver from the inferior back lid and take it out.
- With a screw-wrench loosen the screws turning it counter-clockwise. To stretch out the belt you have to push the motor with the wood lever tightening the screws.

IMPORTANT: the pulleys must be lined up.

UPPER BEARING ADJUSTMENTS

- The purpose of this adjustment is to centralize the blade on the gear and avoid it falling down.
- First of all disconnect the machine from the electricity supply. Then loosen blade turning handle counter-clockwise.
- Take out upper back lid by removing screws using the screwdriver. Loosen the three screw-nuts using a 10mm screw-wrench.
- Using the screwdriver turn the screw-nut $\frac{1}{4}$ counter-clockwise if the wheel is inclined towards the front or turn it $\frac{1}{4}$ clockwise if it is inclined backwards. Tighten the three screw-nut previously loosen. Calibrate the blade according to pre-operation.
- Turn the wheels manually to check if the blade is centralized, if it is not keep turning the wheels until the blade is centralized.

CUTTING REGULATOR

- The cutting regulator (optional) was designed to provide cuts with the same thickness and also to protect the operator from getting injured.
- To adjust the cutting regulator proceed as follows:
Turn locking knob counter-clockwise to be able to move the cutting regulator to the left and right according

Maintenance

to the distance you want to leave from it to the blade.

- Then turn the locking knob clockwise to fix the cutting regulator in the desired position.

CLEANING

First of all disconnect the machine from power source.

- Remove the upper door by unscrewing the screws of the hinges.
- Remove the lower door doing as above.
- Remove the blade by turning blade calibrator knob counter-clockwise, then loosen the blade and pull it out.
- Take out upper and lower wheels by pulling staples out, which are located in front of the wheels.
- Never use hard tools such as: knives, forks, hooks, or others to remove stuck pieces of cut meat from the upper and lower doors. To do that use a plastic brush.
- Assemble the components following the inverse steps.

NOTE: the sharp edge of the blade must be facing the front of the machine.

All removable components must be washed with warm water and neutral soap. Be careful when washing the blade. It has a sharp edge that could cause serious irreparable injuries to the hands.

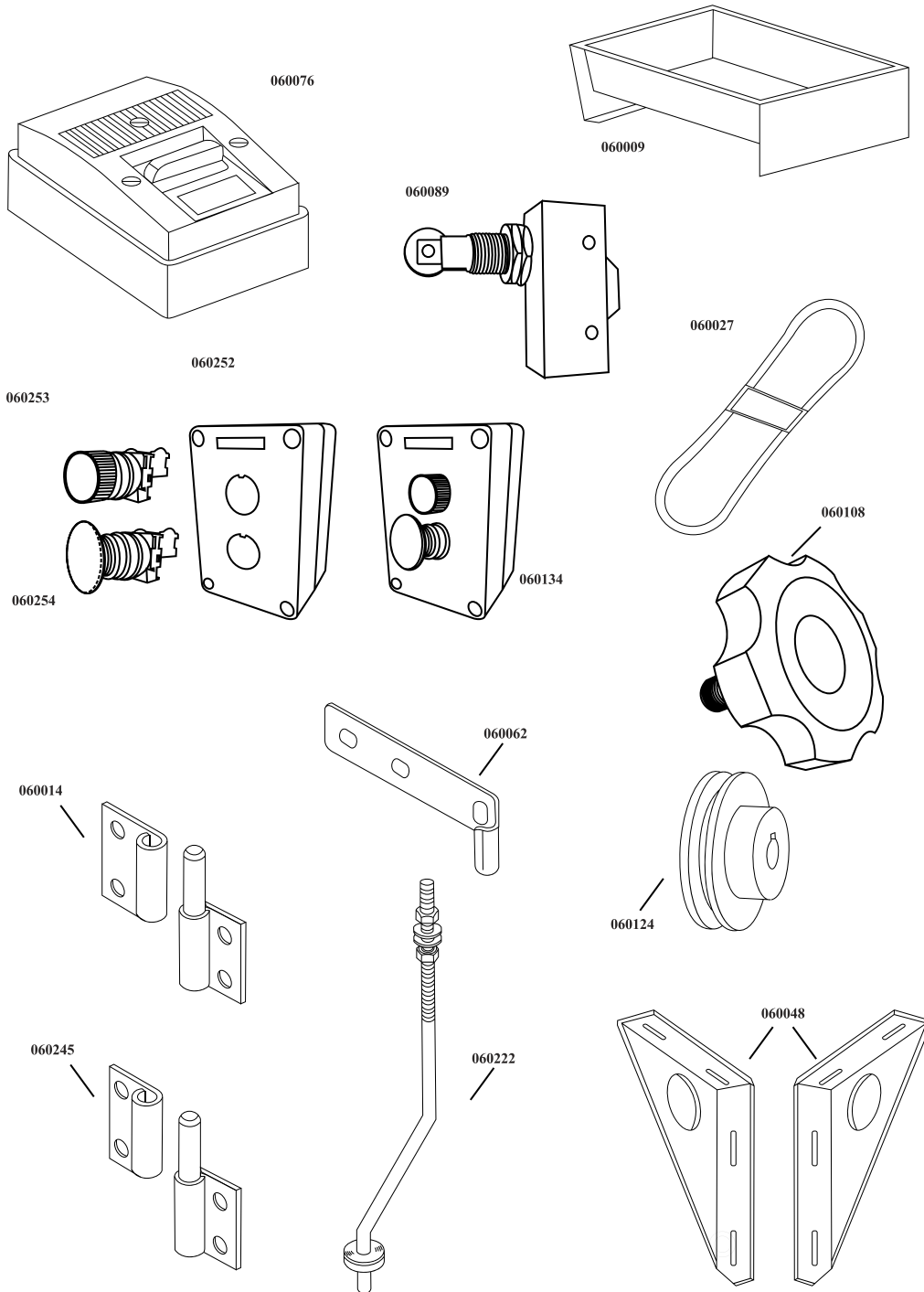
CAUTION: the machine is not protected against water jets. Do not clean it with steam jets, or high pressure blasts or similar methods. Under no circumstances should the bandsaw be hose rinsed as this may result in short circuit or serious damage to the machine.

Clean the body of the machine with a damp clean cloth and wipe dry.

Parts Breakdown

Model BS-VE-3200-S 10272

Model BS-VE-3200-T 18943

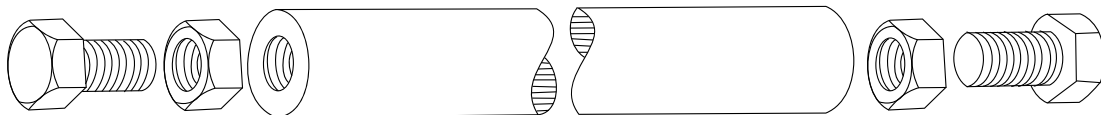
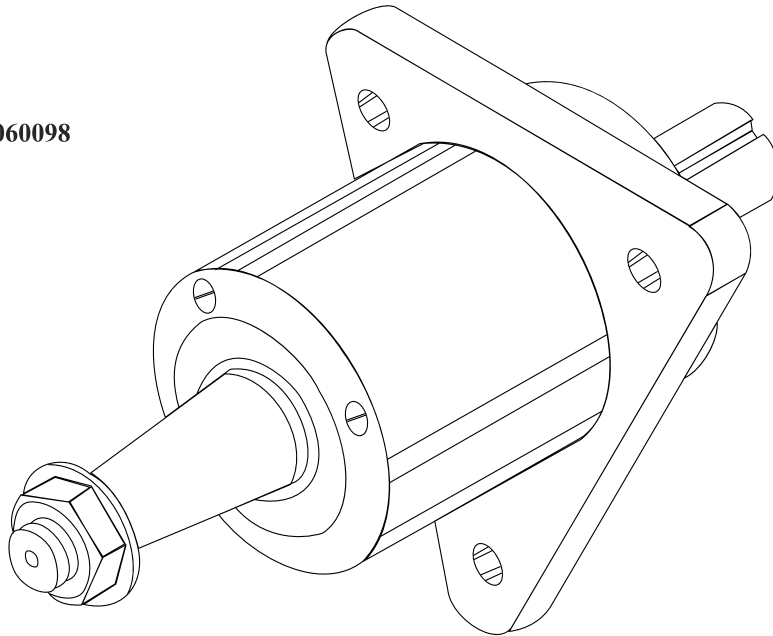


Parts Breakdown

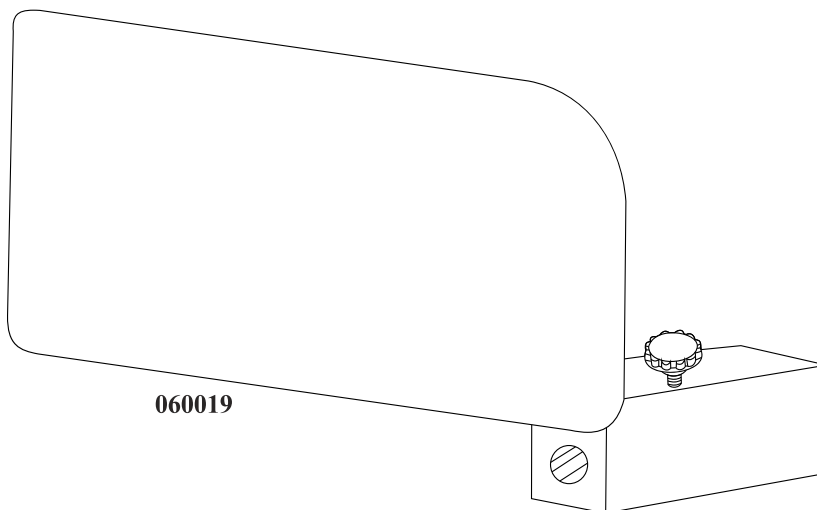
Model BS-VE-3200-S 10272

Model BS-VE-3200-T 18943

060098



060035

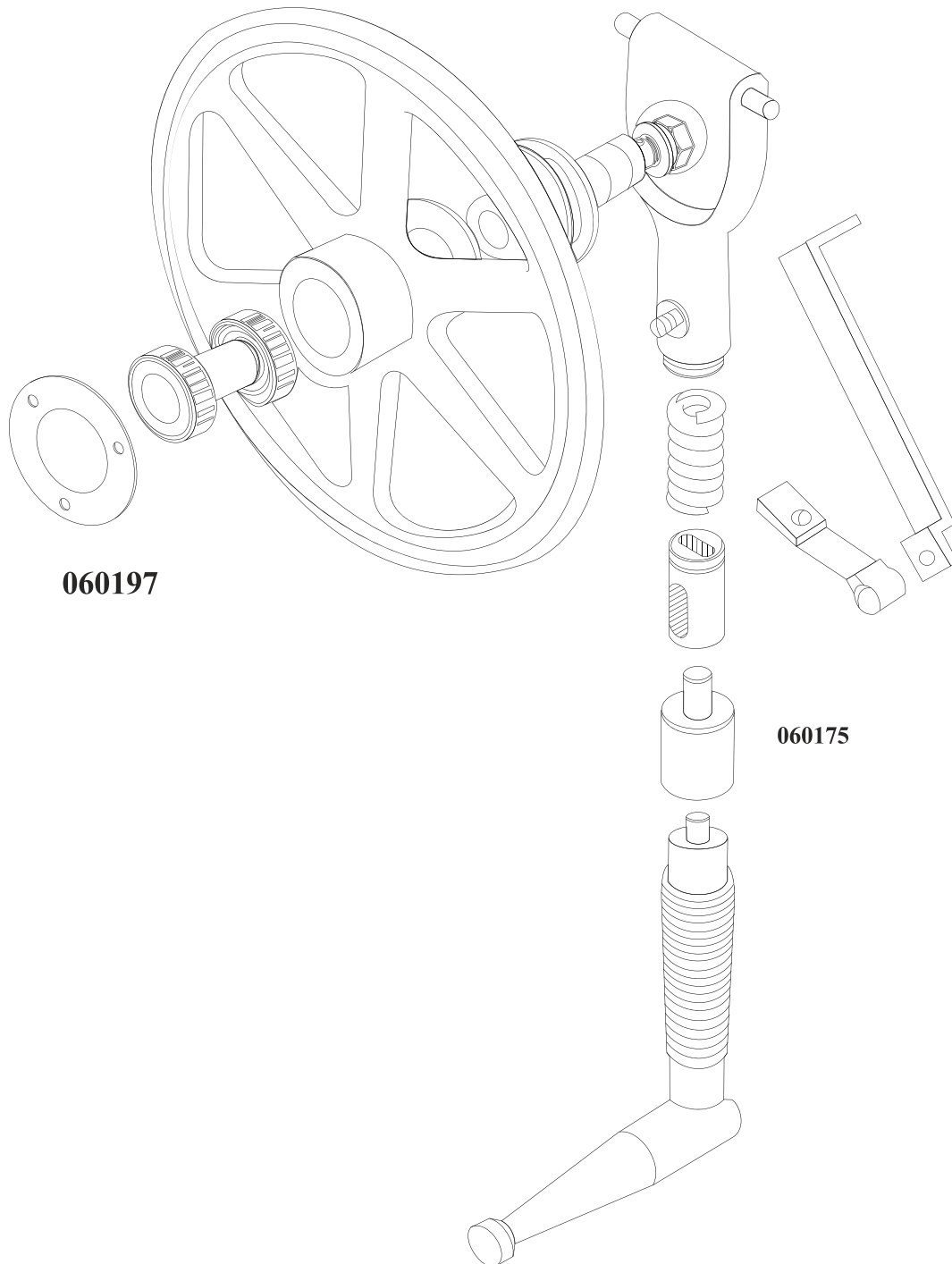


060019

Parts Breakdown

Model BS-VE-3200-S 10272

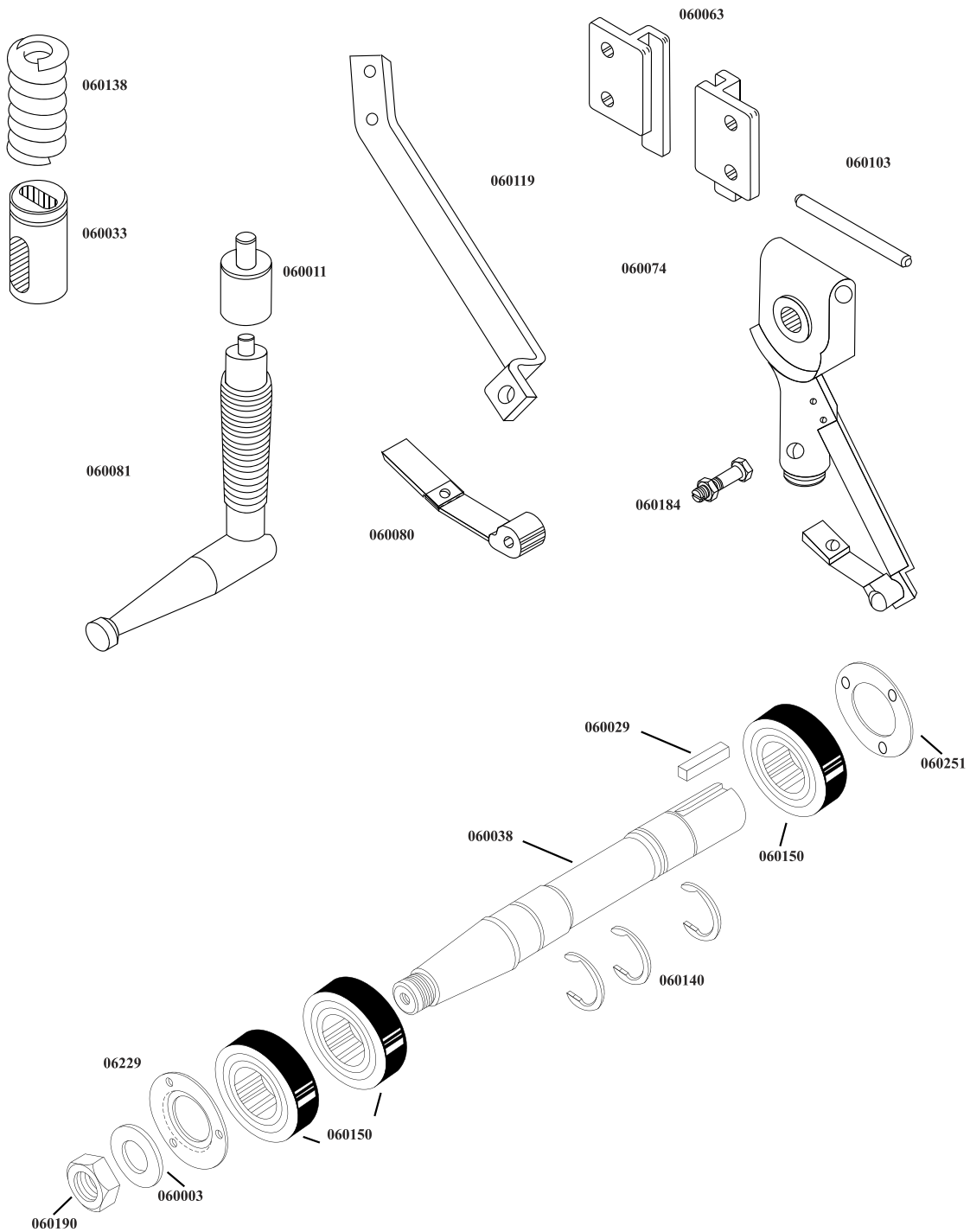
Model BS-VE-3200-T 18943



Parts Breakdown

Model BS-VE-3200-S 10272

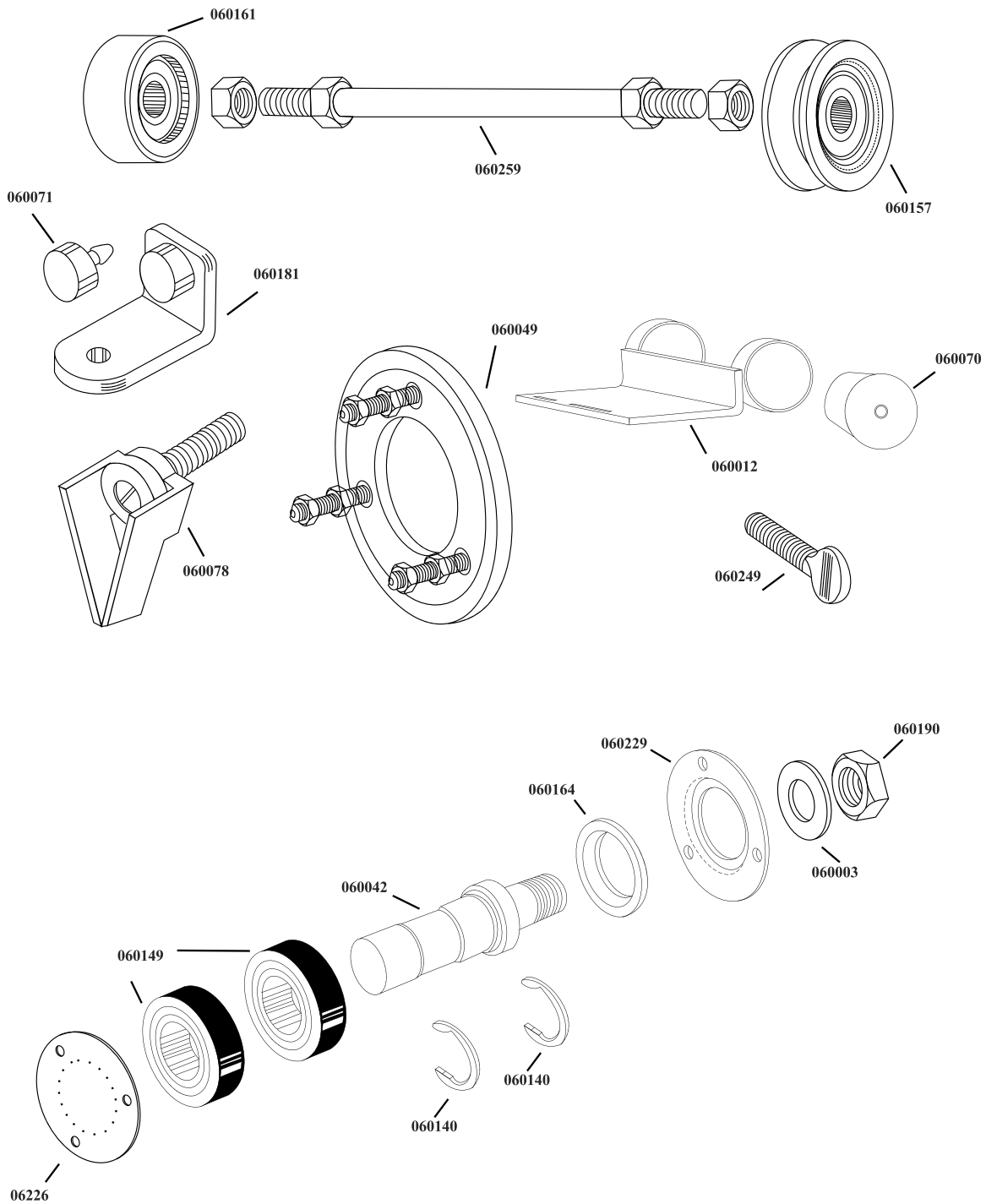
Model BS-VE-3200-T 18943



Parts Breakdown

Model BS-VE-3200-S 10272

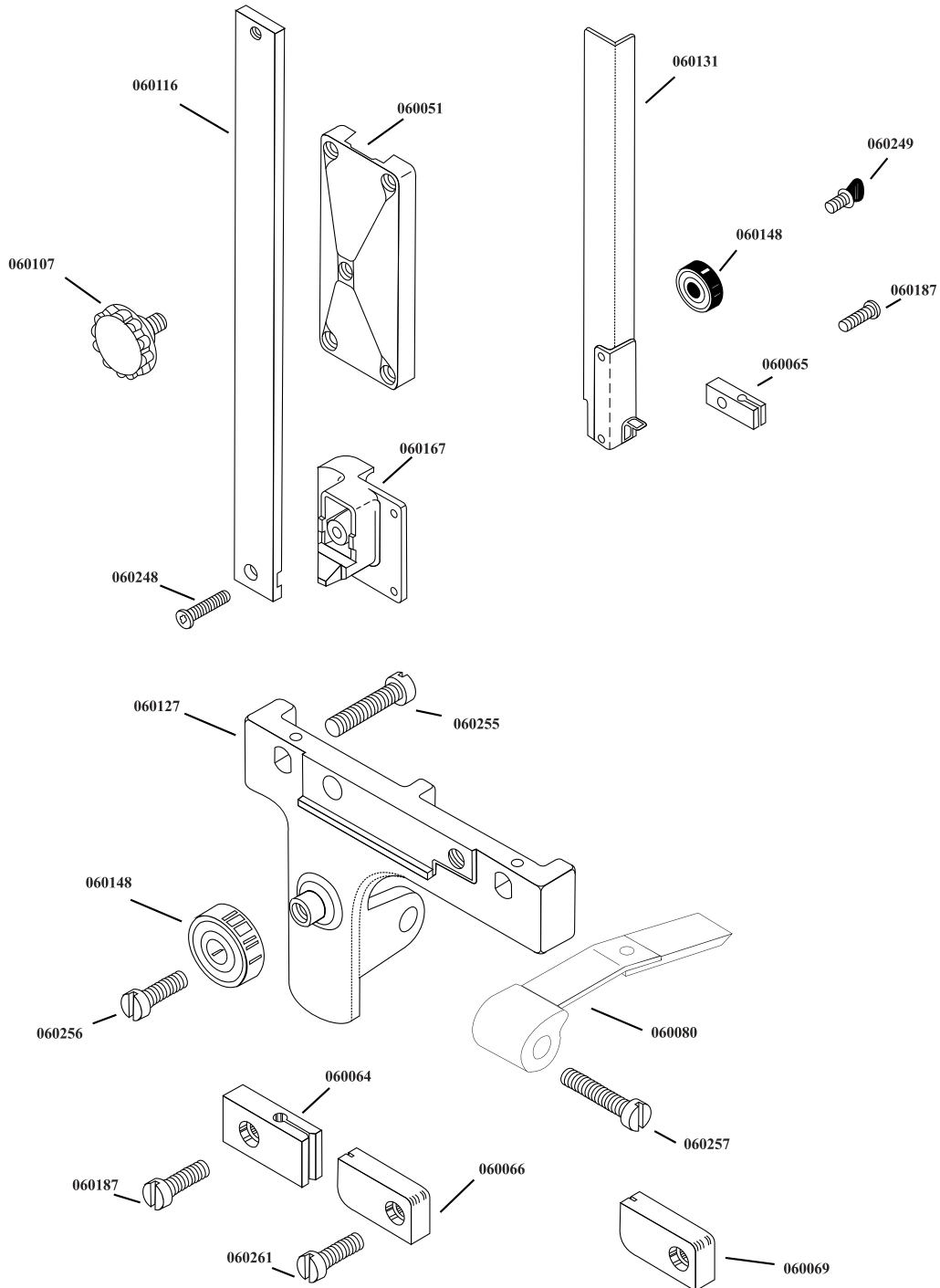
Model BS-VE-3200-T 18943



Parts Breakdown

Model BS-VE-3200-S 10272

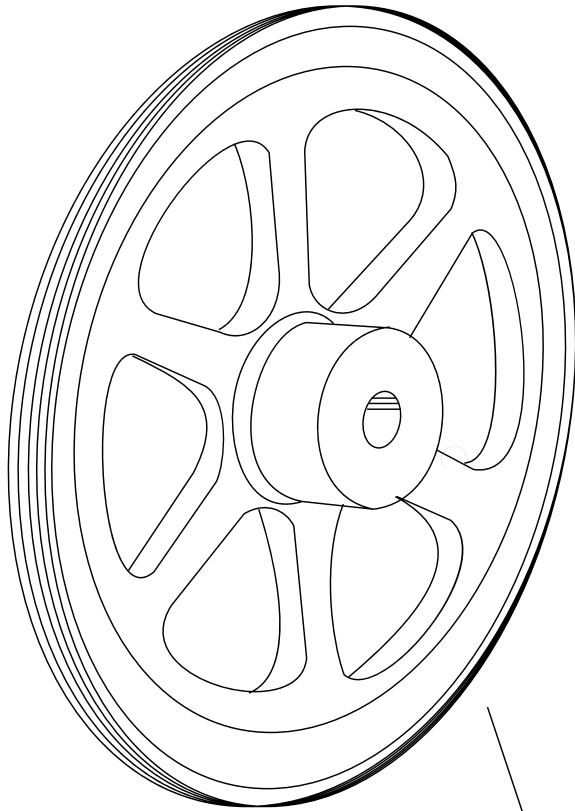
Model BS-VE-3200-T 18943



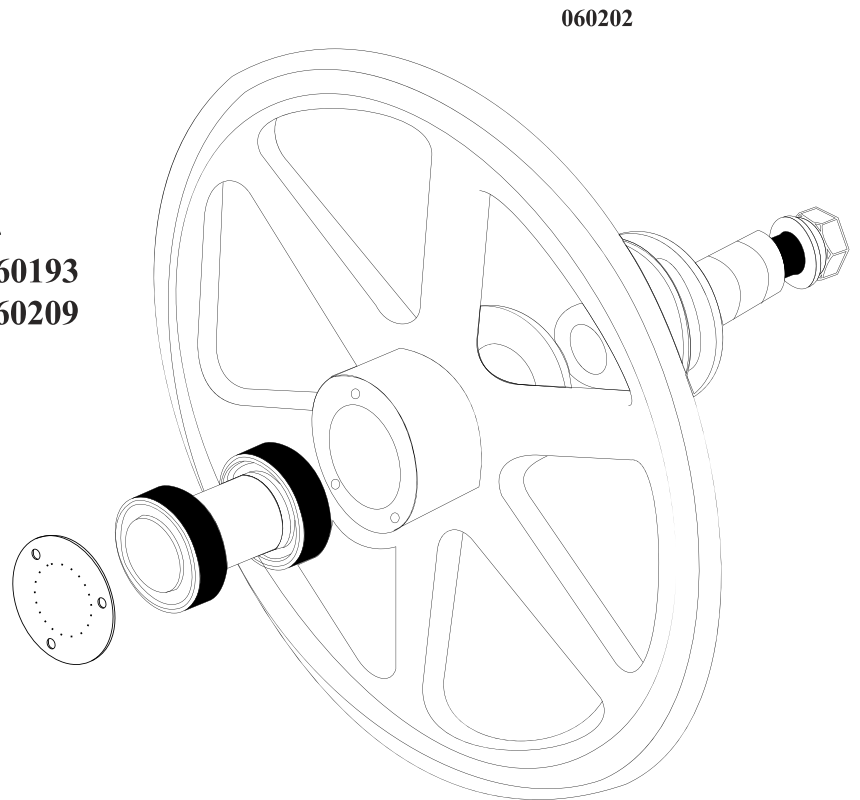
Parts Breakdown

Model BS-VE-3200-S 10272

Model BS-VE-3200-T 18943



060193
060209



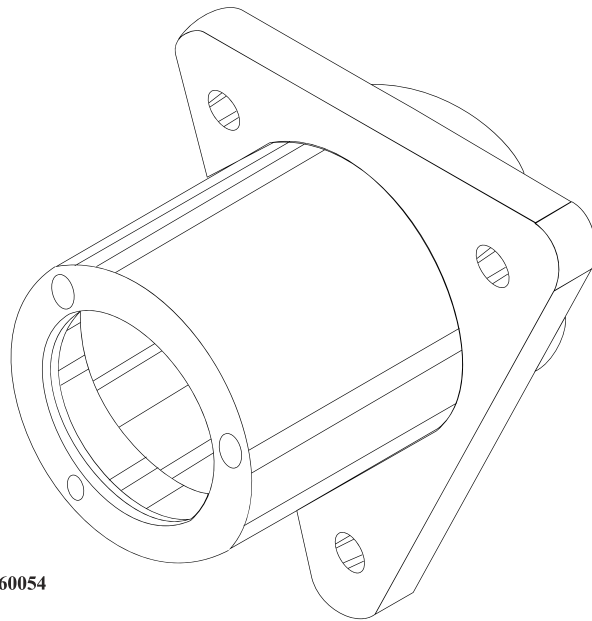
060202

Parts Breakdown

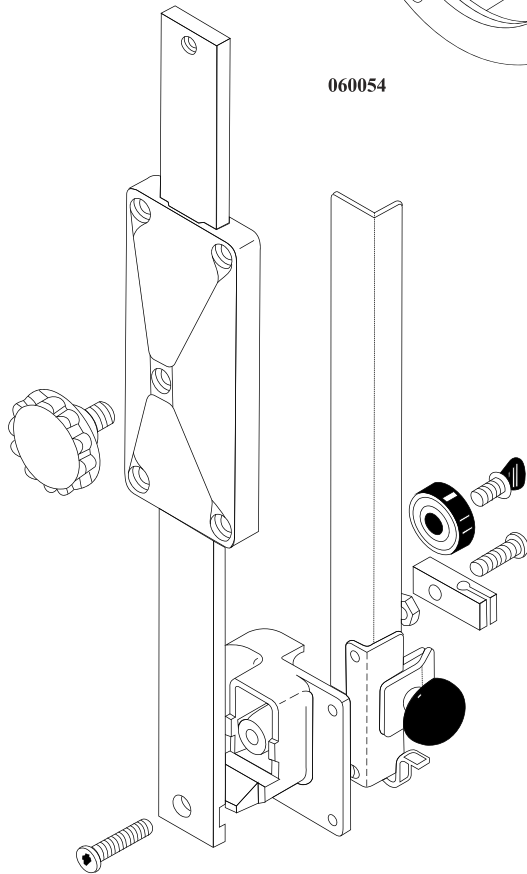
Model BS-VE-3200-S 10272

Model BS-VE-3200-T 18943

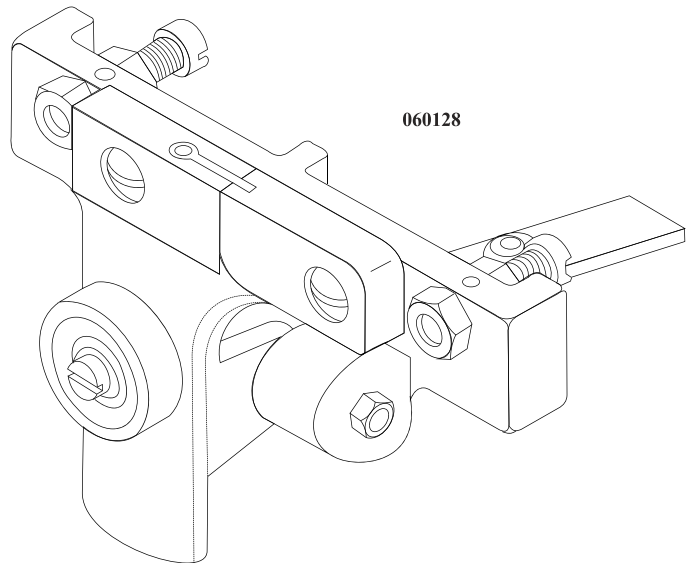
060239



060054



060128



Parts Breakdown

Model BS-VE-3200-S 10272

Model BS-VE-3200-T 18943

Item No.	Description	Position	Item No.	Description	Position	Item No.	Description	Position
62199	Front Cover for Steering Wheel for 10272, 18943	06226	64594	Nylon Guide for 10272, 18943	060069	16871	Bearing for 10272, 18943	060149
64825	Steel Cover for Steering Shaft for 10272, 18943	06229	62151	Motor Base Rubber for 10272, 18943	060070	16872	Bearing 6205-2RS1 for 10272, 18943	060150
45115	Washer for 10272, 18943	060003	AJ570	Rubber Stopper for 10272, 18943	060071	62169	Trapezoidal Flywheel for 10272, 18943	060157
AJ917	Metal Tray for 10272, 18943	060009	24156	Scraper Bracket for 10272, 18943	060074	62194	Complete Flat Wheel for 10272, 18943	060161
62185	Base with Facial Steel Roller or Iron for 10272, 18943	060011	62201	Switch for 10272, 18943	060076	40168	Seal for 10272, 18943	060164
62152	Motor Base for 10272, 18943	060012	17707	Scraper for 10272, 18943	060078	62091	Aluminum Support for 10272, 18943	060167
62061	Long Door Hinge for 10272, 18943	060014	17708	Scraper for 10272, 18943	060080	AJ916	Complete Strap with Iron Handle for 10272, 18943	060175
62210	Full Arm Shield for 10272, 18943	060019	62186	Steel Handle for 10272, 18943	060081	62197	Complete Car Iron Wheel for 10272, 18943	060181
23716	Belt for 10272, 18943	060027	44013	Micro Switch for 10272, 18943	060089	24155	Bolt for 10272, 18943	060184
45116	Pin for 10272, 18943	060029	64585	Complete Aluminum Housing for 10272, 18943	060098	26129	Long Screw for Aluminum Guide for 10272, 18943	060187
62184	Spacer for 10272, 18943	060033	24154	Pin for 10272, 18943	060103	44012	Lower Shaft Nut for 10272, 18943	060190
62209	Arm Shaft for 10272, 18943	060035	62078	Tightening Knob for 10272, 18943	060107	64564	Lower Flywheel for 10272, 18943	060193
24135	Shaft for 10272, 18943	060038	16869	Knob for 10272, 18943	060108	62206	Complete Upper Cylindrical Flywheel for 10272, 18943	060197
24139	Shaft for 10272, 18943	060042	64592	Upper Steel Guide for 10272, 18943	060116	62206	Complete Upper Cylindrical Flywheel for 10272, 18943	060202
62205	Steel Square Brackets for 10272, 18943	060048	62188	Flywheel Scraper Holder for 10272, 18943	060119	24137	Pulley for 10272, 18943	060209
62065	Aluminum Flange for 10272, 18943	060049	62203	Motor Pulley for 10272, 18943	060124	62204	Motor Tension Screw for 10272, 18943	060222
62066	Aluminum Front for 10272, 18943	060051	45066	Guide for 10272, 18943	060127	17717	Cover for 10272, 18943	060229
62207	Complete Front Plate for 10272, 18943	060054	23718	Guide Assembly for 10272, 18943	060128	62200	Aluminum Housing for 10272, 18943	060239
62170	Steel Door Hook for 10272, 18943	060062	62193	Blade Protector for 10272, 18943	060131	62099	Door Hinge for 10272, 18943	060245
15587	Fluted Guide Pair for 10272, 18943	060063	AL385	Complete Box + Start & Stop Button for 10272, 18943	060134	62102	Front Plate Screw for 10272, 18943	060248
64593	Lower Steel Guide for 10272, 18943	060064	62132	Hairpin Spring for 10272, 18943	060138	64570	Tension Screw for 10272, 18943	060249
64592	Upper Steel Guide for 10272, 18943	060065	17711	Clip for 10272, 18943	060140	17719	Cover for 10272, 18943	060251
26128	Aluminum Guide for 10272, 18943	060066	45067	Bearing 6200 for 10272, 18943	060148	31436	Housing (Box) only for Switch for 10272, 18943	060252

Parts Breakdown

Model BS-VE-3200-S 10272

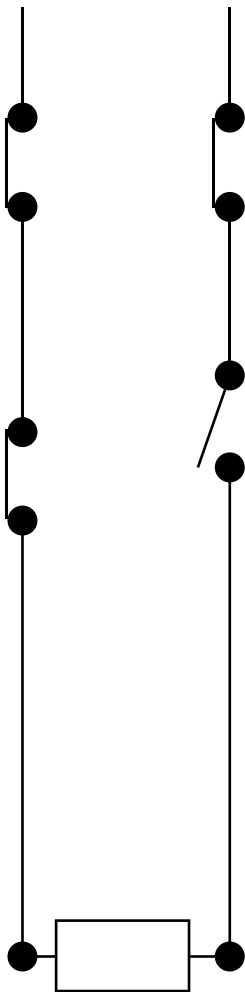
Model BS-VE-3200-T 18943

Item No.	Description	Position	Item No.	Description	Position	Item No.	Description	Position
16873	Start Switch (Green Button) for 10272, 18943	060253	45068	Screw for 10272, 18943	060256	26130	Short Screw for Aluminum Guide for 10272, 18943	060261
16874	Stop Switch for 10272, 18943	060254	AJ915	Screw for 10272, 18943	060257	39416	Motor 220/60/1 for 10272	
62143	Screw for Roller Port Guide for 10272, 18943	060255	62195	Wheel Shaft for 10272, 18943	060259	64814	Motor 220/60/3 for 18943	

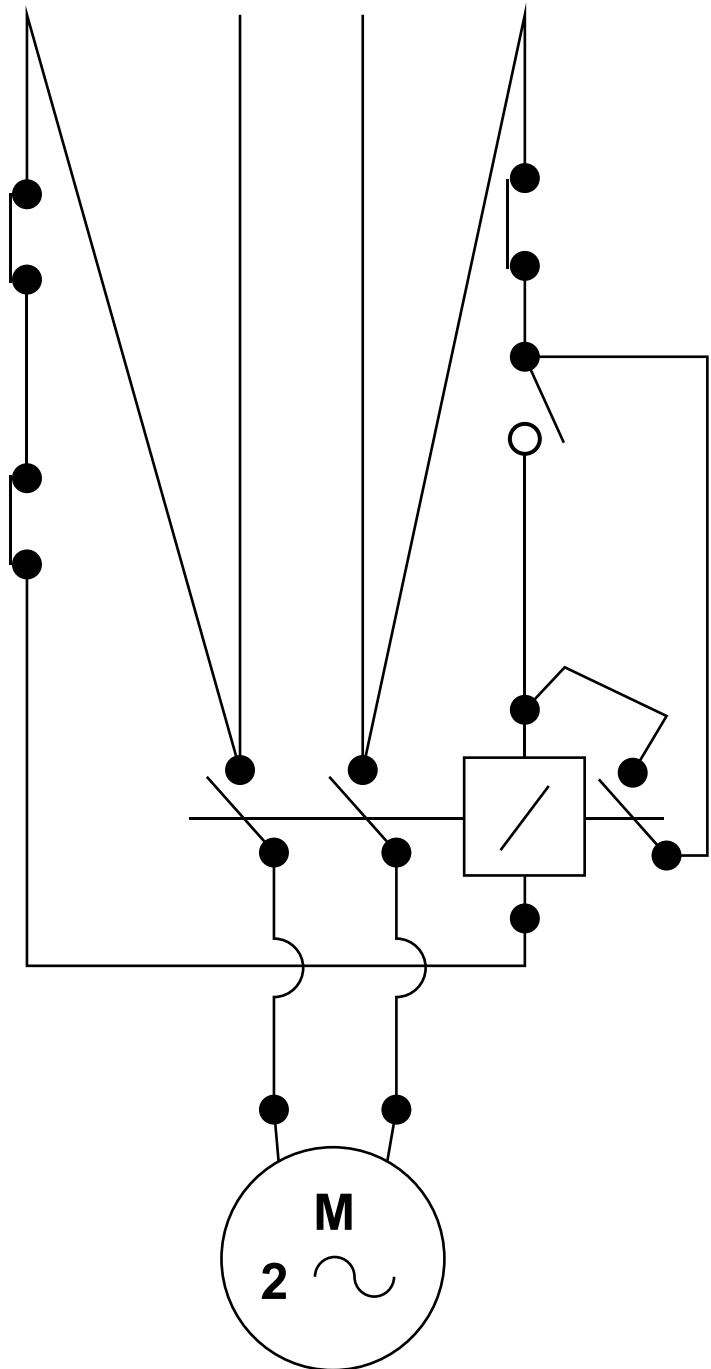
Electrical Schematics

Model **BS-VE-3200-S** 10272

220V

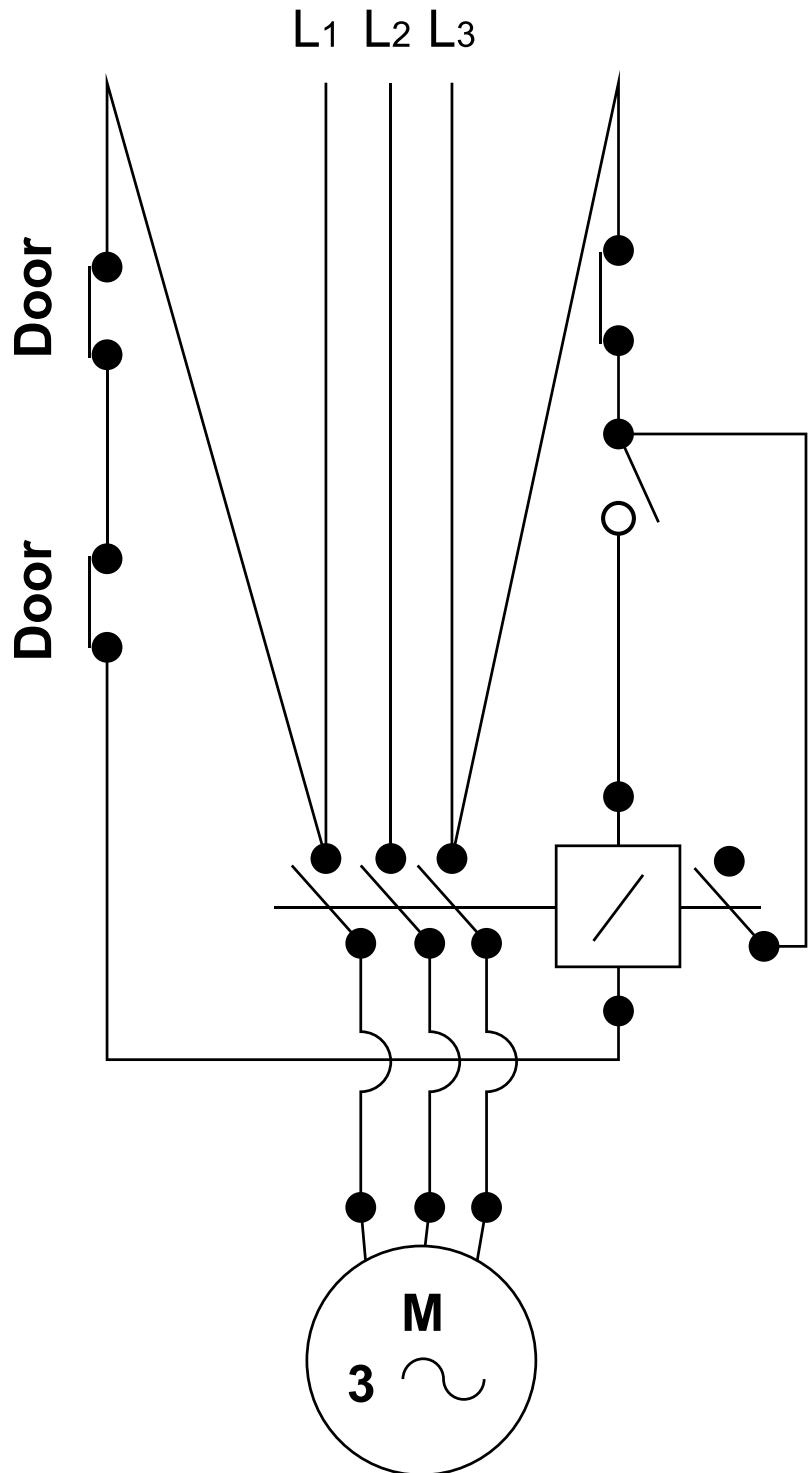
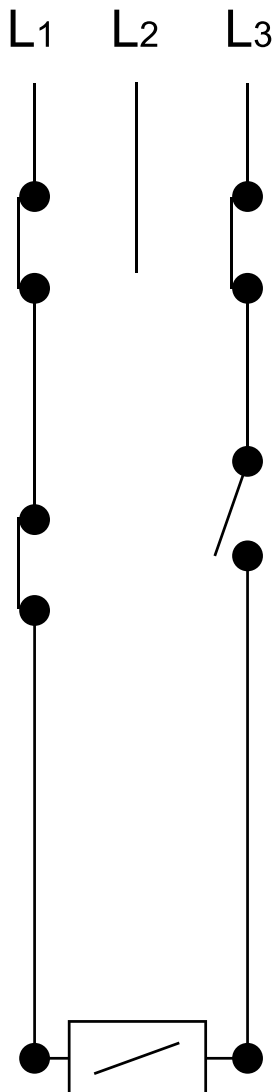


220V



Electrical Schematics

Model BS-VE-3200-T 18943





Warranty Registration

Thank you for purchasing an Omcan product. To register your warranty for this product, complete the information below, tear off the card at the perforation and then send to the address specified below. You can also register online by visiting:

Merci d'avoir acheté un produit Omcan. Pour enregistrer votre garantie pour ce produit, complétez les informations ci-dessous, détachez la carte au niveau de la perforation, puis l'envoyer à l'adresse spécifiée ci-dessous. Vous pouvez également vous inscrire en ligne en visitant:

Gracias por comprar un producto Omcan usted. Para registrar su garantía para este producto, complete la información a continuación, cortar la tarjeta en la perforación y luego enviarlo a la dirección indicada a continuación. También puede registrarse en línea en:

<https://omcan.com/warranty-registration/>

For mailing in Canada

Pour postale au Canada

Por correo en Canadá

OMCAN

PRODUCT WARRANTY REGISTRATION

3115 Pepper Mill Court,
Mississauga, Ontario
Canada, L5L 4X5

For mailing in the US

Pour diffusion aux États-Unis

Por correo en los EE.UU.

OMCAN

PRODUCT WARRANTY REGISTRATION

4450 Witmer Industrial Estates, Unit 4,
Niagara Falls, New York
USA, 14305

or email to: service@omcan.com



Purchaser's Information

Name: _____

Address: _____

City: _____ Province or State: _____ Postal or Zip: _____

Country: _____

Dealer from which Purchased: _____

Dealer City: _____ Dealer Province or State: _____

Invoice: _____

Model Name: _____ Model Number: _____

Machine Description: _____

Date of Purchase (MM/DD/YYYY): _____

Would you like to extend the warranty? Yes No

Company Name: _____

Telephone: _____

Email Address: _____

Type of Company:

Restaurant Bakery Deli

Butcher Supermarket Caterer

Institution (specify): _____

Other (specify): _____

Serial Number: _____

Date of Installation (MM/DD/YYYY): _____

Thank you for choosing Omcan | Merci d'avoir choisi Omcan | Gracias por elegir Omcan



Since 1951 Omcan has grown to become a leading distributor of equipment and supplies to the North American food service industry. Our success over these many years can be attributed to our commitment to strengthen and develop new and existing relationships with our valued customers and manufacturers. Today with partners in North America, Europe, Asia and South America, we continually work to improve and grow the company. We strive to offer customers exceptional value through our qualified local sales and service representatives who provide convenient access to over 6,500 globally sourced products.

Depuis 1951 Omcan a grandi pour devenir un des "leaders" de la distribution des équipements et matériel pour l'industrie des services alimentaires en Amérique du Nord. Notre succès au cours de ces nombreuses années peut être attribué à notre engagement à renforcer et à développer de nouvelles et existantes relations avec nos clients et les fabricants de valeur. Aujourd'hui avec des partenaires en Amérique du Nord, Europe, Asie et Amérique du Sud, nous travaillons continuellement à améliorer et développer l'entreprise. Nous nous efforçons d'offrir à nos clients une valeur exceptionnelle grâce à nos ventes locales qualifiées et des représentants de service qui offrent un accès facile à plus de 6500 produits provenant du monde entier.

Desde 1951 Omcan ha crecido hasta convertirse en un líder en la distribución de equipos y suministros de alimentos en América del Norte industria de servicios. Nuestro éxito en estos años se puede atribuir a nuestro compromiso de fortalecer y desarrollar nuevas relaciones existentes con nuestros valiosos clientes y fabricantes. Hoy con socios de América del Norte, Europa, Asia y América del Sur, que trabajan continuamente para mejorar y crecer la empresa. Nos esforzamos por ofrecer a nuestros clientes valor excepcional a través de nuestro local de ventas y representantes de los servicios que proporcionan un fácil acceso a más de 6,500 productos con origen a nivel mundial.

