



Universal Bowl Cutters

Models FP-CN-0003, 0005

Items 10916, 10917

Instruction Manual



Revised - 01/08/2025



Toll Free: 1-800-465-0234
Fax: 905-607-0234
Email: service@omcan.com
www.omcan.com



Table of Contents

Model FP-CN-0003 / Model FP-CN-0005

Section	Page
General Information -----	3 - 4
Safety and Warranty -----	4 - 5
Technical Specifications -----	6
Installation and Operation -----	6 - 7
Parts Breakdown -----	8 - 9
Electrical Schematics -----	10 - 11
Notes -----	12 - 14
Warranty Registration -----	15



General Information

Omcan Manufacturing and Distributing Company Inc., Food Machinery of America, Inc. dba Omcan and Omcan Inc. are not responsible for any harm or injury caused due to any person's improper or negligent use of this equipment. The product shall only be operated by someone over the age of 18, of sound mind, and not under the influence of any drugs or alcohol, who has been trained in the correct operation of this machine, and is wearing authorized, proper safety clothing. Any modification to the machine voids any warranty, and may cause harm to individuals using the machine or in the vicinity of the machine while in operation.

CHECK PACKAGE UPON ARRIVAL

Upon receipt of an Omcan shipment please inspect for external damage. If no damage is evident on the external packaging, open carton to ensure all ordered items are within the box, and there is no concealed damage to the machine. If the package has suffered rough handling, bumps or damage (visible or concealed), please note it on the bill of lading before accepting the delivery and contact Omcan within 24 hours, so we may initiate a claim with the carrier. A detailed report on the extent of the damage caused to the machine must be filled out within three days, from the delivery date shown in the shipping documents. Omcan has no recourse for damaged products that were shipped collect or third party.

Before operating any equipment, always read and familiarize yourself with all operation and safety instructions.

Omcan would like to thank you for purchasing this machine. It's of the utmost importance to save these instructions for future reference. Also save the original box and packaging for shipping the equipment if servicing or returning of the machine is required.

Omcan Fabrication et distribution Compagnie Limité et Food Machinery d'Amérique, dba Omcan et Omcan Inc. ne sont pas responsables de tout dommage ou blessure causé du fait que toute personne ait utilisé cet équipement de façon irrégulière. Le produit ne doit être exploité que par quelqu'un de plus de 18 ans, sain d'esprit, et pas sous l'influence d'une drogue ou d'alcool, qui a été formé pour utiliser cette machine correctement, et est vêtu de vêtements de sécurité appropriés. Toute modification de la machine annule toute garantie, et peut causer un préjudice à des personnes utilisant la machine ou des personnes à proximité de la machine pendant son fonctionnement.

VÉRIFIEZ LE COLIS DÈS RÉCEPTION

Dès réception d'une expédition d'Omcan veuillez inspecter pour dommages externes. Si aucun dommage n'est visible sur l'emballage externe, ouvrez le carton afin de s'assurer que tous les éléments commandés sont dans la boîte, et il n'y a aucun dommage dissimulé à la machine. Si le colis n'a subi aucune mauvaises manipulations, de bosses ou de dommages (visible ou cachée), notez-le sur le bond de livraison avant d'accepter la livraison et contactez Omcan dans les 24 heures qui suivent, pour que nous puissions engager une réclamation auprès du transporteur. Un rapport détaillé sur l'étendue des dommages causés à la machine doit être rempli dans un délai de trois jours, à compter de la date de livraison indiquée dans les documents d'expédition. Omcan n'a aucun droit de recours pour les produits endommagés qui ont été expédiés ou cueillis par un tiers transporteur.

Avant d'utiliser n'importe quel équipement, toujours lire et vous familiariser avec toutes les opérations et les

General Information

consignes de sécurité.

Omcan voudrais vous remercier d'avoir choisi cette machine. Il est primordial de conserver ces instructions pour une référence ultérieure. Également conservez la boîte originale et l'emballage pour l'expédition de l'équipement si l'entretien ou le retour de la machine est nécessaire.

Omcan Empresa De Fabricacion Y Distribucion Inc. Y Maquinaria De Alimentos De America, Inc. dba Omcan y Omcan Inc. no son responsables de ningun daño o perjuicio causado por cualquier persona inadecuada o el uso descuidado de este equipo. El producto solo podra ser operado por una persona mayor de 18 años, en su sano juicio y no bajo alguna influencia de droga o alcohol, y que este ha sido entrenado en el correcto funcionamiento de esta máquina, y ésta usando ropa apropiada y autorizada. Cualquier modificación a la máquina anula la garantía y puede causar daños a las personas usando la máquina mientras esta en el funcionamiento.

REVISE EL PAQUETE A SU LLEGADA

Tras la recepcion de un envio Omcan favor inspeccionar daños externos. Si no hay daños evidentes en el empaque exterior, Habra el carton para asegurarse que todos los articulos solicitados estén dentro de la caja y no encuentre daños ocultos en la máquina. Si el paquete ha sufrido un manejo de poco cuidado, golpes o daños (visible o oculto) por favor anote en la factura antes de aceptar la entrega y contacte Omcan dentro de las 24 horas, de modo que podamos iniciar una reclamación con la compañía. Un informe detallado sobre los daños causados a la máquina debe ser llenado en el plazo de tres días, desde la fecha de entrega que se muestra en los documentos de envío. Omcan no tiene ningun recurso por productos dañados que se enviaron a recoger por terceros.

Antes de utilizar cualquier equipo, siempre lea y familiarizarse con todas las instrucciones de funcionamiento y seguridad.

Omcan le gustaría darle las gracias por la compra de esta máquina. Es de la mayor importancia para salvar estas instrucciones para futuras consultas. Además, guarda la caja original y el embalaje para el envío del equipo si servicio técnico o devolución de la máquina que se requiere.

Safety and Warranty

WARNING

PLEASE READ THE USER MANUAL CAREFULLY BEFORE OPERATING THE MACHINE

This manual has been prepared to enable the correct installation, regulation and maintenance of the unit. It is therefore of basic importance that the warnings contained in this booklet are carefully read as they supply essential indications regarding the safety of the installation, use and maintenance. The appliance must be installed, tested and serviced by qualified personnel only. Any adjustment whatsoever not expressly authorized



Safety and Warranty

and in disrespect of this manual voids the warranty. Observe all existing local regulations at the time of installation. The packing materials (plastic bags, polystyrene, nails, etc.) as potential hazards, must be kept out of the reach of children and properly recycled according to the existing local regulations. For repairs contact Omcan and request the use of original spare parts. If in doubt do not use the appliance and contact Omcan. Not following the above conditions could risk the safety of those using the unit.

These bowl cutters are newly designed and made for high performance. It can cut meat, ginger, garlic, peanuts, beans and many more! These bowl cutters are easy to operate and highly efficient which is suitable for your food preparation needs.

NOTE: THESE BOWL CUTTERS ARE IDEAL FOR MAKING LARGE BATCHES OF HUMMUS.

RESIDENTIAL USERS: vendor assumes no liability for parts or labor coverage for component failure or other damages resulting from installation in non-commercial or residential applications. The right is reserved to deny shipment for residential usage; if this occurs, you will be notified as soon as possible.

1 YEAR PARTS AND LABOUR WARRANTY

Within the warranty period, contact Omcan Inc. at 1-800-465-0234 to schedule an Omcan authorized service technician to repair the equipment locally.

Unauthorized maintenance will void the warranty. Warranty covers electrical and part failures, not improper use.

Please see <https://omcan.com/disclaimer> for complete info.

WARNING:

The packaging components (cardboard, polyethylene, and others) are classified as normal solid urban waste and can therefore be disposed of without difficulty.

In any case, for suitable recycling, we suggest disposing of the products separately (differentiated waste) according to the current norms.

DO NOT DISCARD ANY PACKAGING MATERIALS IN THE ENVIRONMENT!

Technical Specifications

Model	FP-CN-0003	FP-CN-0005
Item Number	10916	10917
Motor Power	0.9 HP / 0.7 kW	2 HP / 1.5 kW
Rated Input Power	1.2 HP / 0.9 kW	2.5 HP / 1.9 kW
Bowl Capacity	3 L / 3.2 QT	5 L / 5.3 QT
Electrical	110-120V / 60Hz / 1	
RPM	1400	
Weight	70.5 lbs. / 32 kgs.	85.8 lbs. / 39 kgs.
Packaging Weight	75 lbs. / 34 kgs.	89 lbs. / 40.5 kgs.
Dimensions	12" x 10" x 19" / 305 x 254 x 483mm	12" x 15" x 21" / 305 x 381 x 533mm
Packaging Dimensions	14" x 16" x 24" / 356 x 406 x 610mm	19" x 17" x 26" / 483 x 432 x 660mm

Installation and Operation

- Place the machine on the table or floor with a leveled surface and attach the power line with the proper connection. Make sure the plug is properly secured.
- Before use, check whether the voltage matches with the rating plate.
- Open the barrel head, take out the knife.
Note: do not touch the bowl's side and orientation area, avoid to attain the knife's mouth.
- Hold the bowl's handle, press the safety handle on the bottom, run the bowl clockwise and remove the bowl.
- Clean the bowl, knife and barrel head with a clean cloth.
- Place the bowl in a 20 degree position with the handle facing forward then turn counter-clockwise.
- Install knife and cover the bowl lid. The safety button on the barrel head should be aimed at the handle of the bowl and the lock button should be used to safely secure the bowl. If not secured properly the machine will not start.
- Turn the knob switch to "1", press the start button and turn the knob switch to "0". Check if the knife is properly placed through the clarity glass on top the cover to ensure proper rotation.
- Confirm that the knife's turning, open the back bowl cover, place the food in the machine and cover it.
Note: cover the bowl after the knife stops running.
Depending on the food placed in the bowl, the power selected for Item:10917 can be turned to power "1" or "2" and then can the machine be turned on.
- Turn the knob to "0" to turn off the machine. Typically, the food should be placed in the cutter for a minimum of 10 seconds to thoroughly cut food but users can cut their food as they desire.
- To maintain this unit, clean all the parts with a clean cloth.

Installation and Operation

TIME RECOMMENDATION FOR CUTTING FOOD

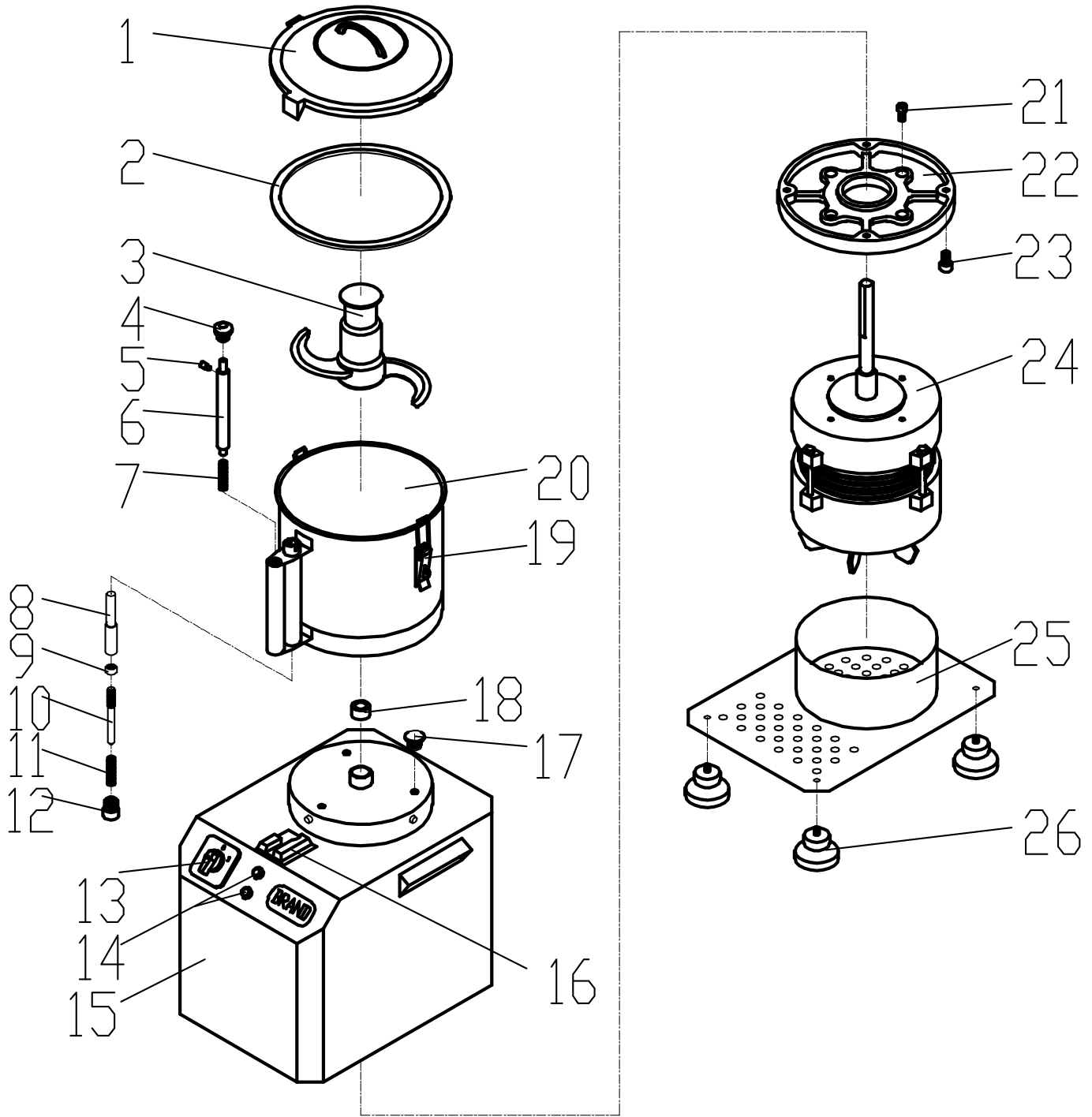
Food	Meat	Ginger	Garlic	Peanut	Bean
Time	13 secs	45 secs	30 secs	18 secs	15 secs

* The above time is just for reference, user can process the food to their thickness.

Parts Breakdown

Model FP-CN-0003 10916

Model FP-CN-0005 10917





Parts Breakdown

Model FP-CN-0003 10916

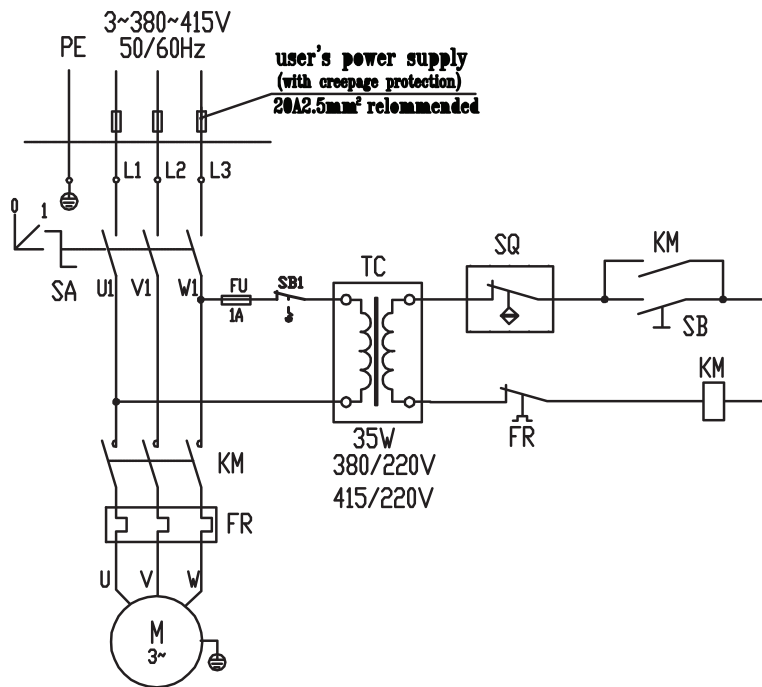
Item No.	Description	Position	Item No.	Description	Position	Item No.	Description	Position
23437	Bowl Cover without Handle for 10916	1	23446	Pressure Spring for 10916	11	23456	Six Angle Screw for 10916	21
23438	Rubber Ring for 10916	2	23447	Set Screw for 10916	12	23457	Motor Set Plate for 10916	22
23439	Knife for 10916	3	31616	Switch for 10916	13, 16	23458	Six Angle Screw for 10916	23
23440	Tight Screw for 10916	4	31518	Start Button for 10916	14	23459	Motor for 10916	24
23441	Set Pin for 10916	5	31520	Stop Button for 10916	14	23460	Bottom Plate for 10916	25
23442	Set Pole for 10916	6	23450	Rack for 10916	15	23461	Bottom Foot for 10916	26
69071	Spring for 10916	7	23452	Bowl Adjust Ring for 10916	17	31514	AC Contactor for 10916	
23443	Bump Pole I for 10916	8	23453	Copper Setting for 10916	18	31515	Thermal Relay for 10916	
23444	Round Screw for 10916	9	69072	Clasp for 10916	19	24421	Magnetic Switch for 10916	
23445	Bump Pole II for 10916	10	23455	Bowl for 10916	20			

Model FP-CN-0005 10917

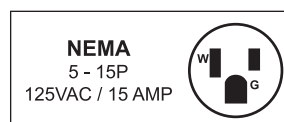
Item No.	Description	Position	Item No.	Description	Position	Item No.	Description	Position
23412	Bowl Cover without Handle for 10917	1	23422	Set Screw for 10917	12	23432	Motor Set Plate for 10917	22
23413	Rubber Ring for 10917	2	31616	Switch for 10917	13, 16	23433	Six Angle Screw for 10917	23
23414	Knife for 10917	3	31518	Start Button for 10917	14	23434	Motor for 10917	24
23415	Tight Screw for 10917	4	31520	Stop Button for 10917	14	23435	Bottom Plate for 10917	25
23416	Set Pin for 10917	5	23425	Rack for 10917	15	23436	Bottom Foot for 10917	26
69071	Spring for 10917	7	23427	Bowl Adjust Ring for 10917	17	31514	AC Contactor for 10917	
23418	Bump Pole I for 10917	8	23428	Copper Setting for 10917	18	31516	Thermal Relay for 10917	
23419	Round Screw for 10917	9	69072	Clasp for 10917	19	24421	Magnetic Switch for 10917	
23420	Bump Pole II for 10917	10	23430	Bowl for 10917	20			
23421	Pressure Spring for 10917	11	23431	Six Angle Screw for 10917	21			

Electrical Schematics

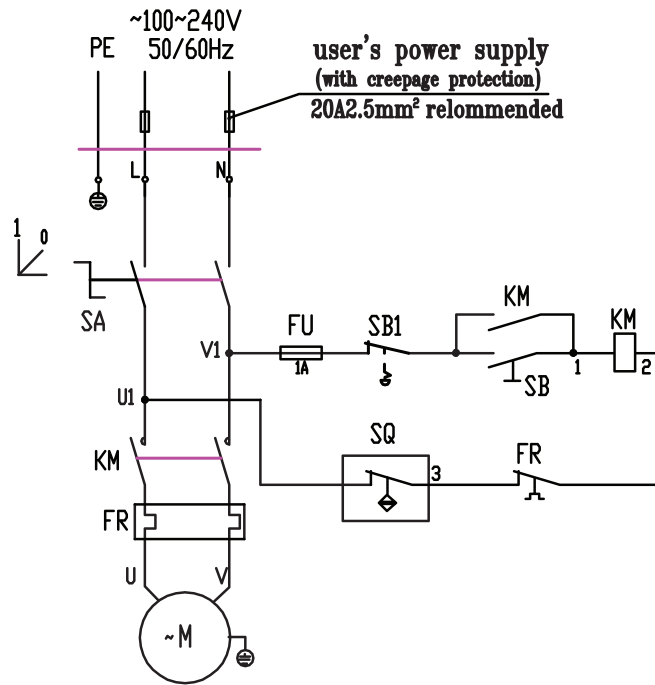
Model FP-CN-0003 10916



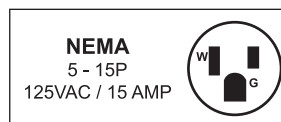
Code	Name
M	Motor
KM	Contractor
SB1	Stop Button
SA	Change Switch
FR	Heat Relay
SB	Start Button
SQ	Journew Switch
SQ1	Centrigal switch
FU	Fusioner
TC	Transformer



Model FP-CN-0005 10917



Code	Name
M	Motor
KM	Contractor
SB1	Stop Button
SA	Change Switch
FR	Heat Relay
SB	Start Button
SQ	Journey Switch
SQ1	Centrigal switch
FU	Fusioner
TC	Transformer



Notes



Notes



Warranty Registration

Thank you for purchasing an Omcan product. To register your warranty for this product, complete the information below, tear off the card at the perforation and then send to the address specified below. You can also register online by visiting:

Merci d'avoir acheté un produit Omcan. Pour enregistrer votre garantie pour ce produit, complétez les informations ci-dessous, détachez la carte au niveau de la perforation, puis l'envoyer à l'adresse spécifiée ci-dessous. Vous pouvez également vous inscrire en ligne en visitant:

Gracias por comprar un producto Omcan usted. Para registrar su garantía para este producto, complete la información a continuación, cortar la tarjeta en la perforación y luego enviarlo a la dirección indicada a continuación. También puede registrarse en línea en:

<https://omcan.com/warranty-registration/>

For mailing in Canada

Pour postale au Canada

Por correo en Canadá

For mailing in the US

Pour diffusion aux États-Unis

Por correo en los EE.UU.

OMCAN

PRODUCT WARRANTY REGISTRATION

3115 Pepper Mill Court,
Mississauga, Ontario
Canada, L5L 4X5

OMCAN

PRODUCT WARRANTY REGISTRATION

4450 Witmer Industrial Estates, Unit 4,
Niagara Falls, New York
USA, 14305

or email to: service@omcan.com



Purchaser's Information

Name: _____

Address: _____

City: _____ Province or State: _____ Postal or Zip: _____

Country: _____

Dealer from which Purchased: _____

Dealer City: _____ Dealer Province or State: _____

Invoice: _____

Model Name: _____ Model Number: _____

Machine Description: _____

Date of Purchase (MM/DD/YYYY): _____

Would you like to extend the warranty? Yes No

Company Name: _____

Telephone: _____

Email Address: _____

Type of Company:

Restaurant Bakery Deli

Butcher Supermarket Caterer

Institution (specify): _____

Other (specify): _____

Serial Number: _____

Date of Installation (MM/DD/YYYY): _____

Thank you for choosing Omcan | Merci d'avoir choisi Omcan | Gracias por elegir Omcan



Since 1951 Omcan has grown to become a leading distributor of equipment and supplies to the North American food service industry. Our success over these many years can be attributed to our commitment to strengthen and develop new and existing relationships with our valued customers and manufacturers. Today with partners in North America, Europe, Asia and South America, we continually work to improve and grow the company. We strive to offer customers exceptional value through our qualified local sales and service representatives who provide convenient access to over 6,500 globally sourced products.

Depuis 1951 Omcan a grandi pour devenir un des "leaders" de la distribution des équipements et matériel pour l'industrie des services alimentaires en Amérique du Nord. Notre succès au cours de ces nombreuses années peut être attribué à notre engagement à renforcer et à développer de nouvelles et existantes relations avec nos clients et les fabricants de valeur. Aujourd'hui avec des partenaires en Amérique du Nord, Europe, Asie et Amérique du Sud, nous travaillons continuellement à améliorer et développer l'entreprise. Nous nous efforçons d'offrir à nos clients une valeur exceptionnelle grâce à nos ventes locales qualifiées et des représentants de service qui offrent un accès facile à plus de 6500 produits provenant du monde entier.

Desde 1951 Omcan ha crecido hasta convertirse en un líder en la distribución de equipos y suministros de alimentos en América del Norte industria de servicios. Nuestro éxito en estos años se puede atribuir a nuestro compromiso de fortalecer y desarrollar nuevas relaciones existentes con nuestros valiosos clientes y fabricantes. Hoy con socios de América del Norte, Europa, Asia y América del Sur, que trabajan continuamente para mejorar y crecer la empresa. Nos esforzamos por ofrecer a nuestros clientes valor excepcional a través de nuestro local de ventas y representantes de los servicios que proporcionan un fácil acceso a más de 6,500 productos con origen a nivel mundial.

