

# INSTRUCTION MANUAL

## Sandwich Grills

|       |              |            |              |              |            |
|-------|--------------|------------|--------------|--------------|------------|
| Item  | 11375        | 11376      | 11377        | 11378        | 11380      |
| Model | PG-IT-0483-R | PG-IT-0483 | PG-IT-0610-R | PG-IT-0737-R | PG-IT-0737 |



### **Warning!**

Before you begin using your appliance, **PLEASE READ AND UNDERSTAND THIS DOCUMENT CAREFULLY** before installing, operating, maintaining, or servicing.

There are many important safety messages in this manual and on your appliance. Always read all safety messages.

Failure to do so can result in appliance failure, property damage, serious injury or death. Appliance failure, injury or property damage due to improper installation is not covered by warranty.

### **Stop!**

**DO NOT RETURN THIS PRODUCT TO THE STORE!**

For questions or assistance with this product, call TRENTO Toll free: **1-833-487-3686** or visit the support section from our website, **www.trentoequipment.com**

Version: Revised - 02/20/2025



# TABLE OF CONTENTS

---

| <b>Section</b>                 | <b>Page</b> |
|--------------------------------|-------------|
| General Information -----      | 3 - 4       |
| Safety and Warranty -----      | 4 - 6       |
| Technical Specifications ----- | 6           |
| Installation -----             | 7           |
| Operation -----                | 8 - 9       |
| Maintenance -----              | 9 - 10      |
| Parts Breakdown -----          | 11 - 18     |
| Electrical Schematics -----    | 19 - 20     |
| Notes -----                    | 21 - 22     |
| Warranty Registration -----    | 23          |

## GENERAL INFORMATION

---

Omcan Manufacturing and Distributing Company Inc., Food Machinery of America, Inc. dba Omcan and Omcan Inc. are not responsible for any harm or injury caused due to any person's improper or negligent use of this equipment. The product shall only be operated by someone over the age of 18, of sound mind, and not under the influence of any drugs or alcohol, who has been trained in the correct operation of this machine, and is wearing authorized, proper safety clothing. Any modification to the machine voids any warranty, and may cause harm to individuals using the machine or in the vicinity of the machine while in operation.

### CHECK PACKAGE UPON ARRIVAL

Upon receipt of an Omcan shipment please inspect for external damage. If no damage is evident on the external packaging, open carton to ensure all ordered items are within the box, and there is no concealed damage to the machine. If the package has suffered rough handling, bumps or damage (visible or concealed), please note it on the bill of lading before accepting the delivery and contact Omcan within 24 hours, so we may initiate a claim with the carrier. A detailed report on the extent of the damage caused to the machine must be filled out within three days, from the delivery date shown in the shipping documents. Omcan has no recourse for damaged products that were shipped collect or third party.

**Before operating any equipment, always read and familiarize yourself with all operation and safety instructions.**

Omcan would like to thank you for purchasing this machine. It's of the utmost importance to save these instructions for future reference. Also save the original box and packaging for shipping the equipment if servicing or returning of the machine is required.

---

Omcan Fabrication et distribution Compañie Limité et Food Machinery d'Amérique, dba Omcan et Omcan Inc. ne sont pas responsables de tout dommage ou blessure causé du fait que toute personne ait utilisé cet équipement de façon irrégulière. Le produit ne doit être exploité que par quelqu'un de plus de 18 ans, saine d'esprit, et pas sous l'influence d'une drogue ou d'alcool, qui a été formé pour utiliser cette machine correctement, et est vêtu de vêtements de sécurité approprié. Toute modification de la machine annule toute garantie, et peut causer un préjudice à des personnes utilisant la machine ou des personnes à proximité de la machine pendant son fonctionnement.

### VÉRIFIEZ LE COLIS DÈS RÉCEPTION

Dès réception d'une expédition d'Omcan veuillez inspecter pour dommages externes. Si aucun dommage n'est visible sur l'emballage externe, ouvrez le carton afin de s'assurer que tous les éléments commandés sont dans la boîte, et il n'y a aucun dommage dissimulé à la machine. Si le colis n'a subi aucune mauvaises manipulations, de bosses ou de dommages (visible ou cachée), notez-le sur le bond de livraison avant d'accepter la livraison et contactez Omcan dans les 24 heures qui suivent, pour que nous puissions engager une réclamation auprès du transporteur. Un rapport détaillé sur l'étendue des dommages causés à la machine doit être rempli dans un délai de trois jours, à compter de la date de livraison indiquée dans les documents d'expédition. Omcan n'a aucun droit de recours pour les produits endommagés qui ont été expédiés ou cueilli par un tiers transporteur.

**Avant d'utiliser n'importe quel équipement, toujours lire et vous familiariser avec toutes les opérations et les**

## GENERAL INFORMATION

---

consignes de sécurité.

Omcan voudrais vous remercier d'avoir choisi cette machine. Il est primordial de conserver ces instructions pour une référence ultérieure. Également conservez la boîte originale et l'emballage pour l'expédition de l'équipement si l'entretien ou le retour de la machine est nécessaire.

Omcan Empresa De Fabricacion Y Distribucion Inc. Y Maquinaria De Alimentos De America, Inc. dba Omcan y Omcan Inc. no son responsables de ningun daño o perjuicio causado por cualquier persona inadecuada o el uso descuidado de este equipo. El producto solo podra ser operado por una persona mayor de 18 años, en su sano juicio y no bajo alguna influencia de droga o alcohol, y que este ha sido entrenado en el correcto funcionamiento de esta máquina, y ésta usando ropa apropiada y autorizada. Cualquier modificación a la máquina anula la garantía y puede causar daños a las personas usando la máquina mientras esta en el funcionamiento.

### REVISE EL PAQUETE A SU LLEGADA

Tras la recepcion de un envio Omcan favor inspeccionar daños externos. Si no hay daños evidentes en el empaque exterior, Habra el carton para asegurarse que todos los articulos solicitados estén dentro de la caja y no encuentre daños ocultos en la máquina. Si el paquete ha sufrido un manejo de poco cuidado, golpes o daños (visible o oculto) por favor anote en la factura antes de aceptar la entrega y contacte Omcan dentro de las 24 horas, de modo que podamos iniciar una reclamación con la compañía. Un informe detallado sobre los daños causados a la máquina debe ser llenado en el plazo de tres días, desde la fecha de entrega que se muestra en los documentos de envío. Omcan no tiene ningun recurso por productos dañados que se enviaron a recoger por terceros.

**Antes de utilizar cualquier equipo, siempre lea y familiarizarse con todas las instrucciones de funcionamiento y seguridad.**

Omcan le gustaría darle las gracias por la compra de esta máquina. Es de la mayor importancia para salvar estas instrucciones para futuras consultas. Además, guarda la caja original y el embalaje para el envío del equipo si servicio técnico o devolución de la máquina que se requiere.

## SAFETY AND WARRANTY

---

### GENERAL PRECAUTIONS

- The machine must be operated only by highly trained personnel who are fully aware of the safety measures described in this manual.
- In case of a change in operator, training is to be provided in advance.
- Before starting cleaning and maintenance operations, turn off and disconnect the plug from the socket.
- Cleaning and maintenance requires great concentration.
- A regular check of the electric supply cord is necessary; a worn-out or damage cord should not be used.

## SAFETY AND WARRANTY

---

- If the machine has malfunctions, do not use it and do not repair it; please call the Trento Service Center at 1-833-487-3686.
- The grill is used for cooking, heating, toasting, and to grill foodstuffs. Do not use the machine for other uses or for any products other than foodstuffs.

The manufacturer is not liable in the following cases:

1. If the machine has been tampered or adjusted by non-authorized personnel.
2. If some parts have been substituted with non original spare parts.
3. If the instructions contained in this manual are not followed.
4. If the machine surface is not cleaned with the right product.

### SAFETY DEVICES

The electrical safety devices installed on the machine, described in this manual, complies with EC 73/23, 89/336, 89/109. Even though the griller is provided with electrical and mechanical protections when the machine is working and for maintenance and cleaning operations, there are still risks that cannot be eliminated completely. These risks are scalds caused by the loading and unloading of the product, or other kind of injuries due to the maintenance operations.

The unit complies with:

- UL 197, 8° edition.
- NSF 4, 1991 edition.

**RESIDENTIAL USERS: vendor assumes no liability for parts or labor coverage for component failure or other damages resulting from installation in non-commercial or residential applications. The right is reserved to deny shipment for residential usage; if this occurs, you will be notified as soon as possible.**

### 1 YEAR PARTS AND LABOUR BENCH WARRANTY

**Within the warranty period, contact Trento at 1-833-487-3686 to schedule a drop off to either a Trento authorized service depot in the area, or to a Trento Service warehouse to repair the equipment.**

**Unauthorized maintenance will void the warranty. Warranty covers electrical and part failures, not improper use.**

Please see <https://omcan.com/disclaimer> for complete info.

### WARNING:

The packaging components are classified as normal solid urban waste and can therefore be disposed of without difficulty.

**In any case, for suitable recycling, we suggest disposing of the products separately (differentiated waste) according to the current norms.**

# SAFETY AND WARRANTY

**DO NOT DISCARD ANY PACKAGING MATERIALS IN THE ENVIRONMENT!**

# TECHNICAL SPECIFICATIONS

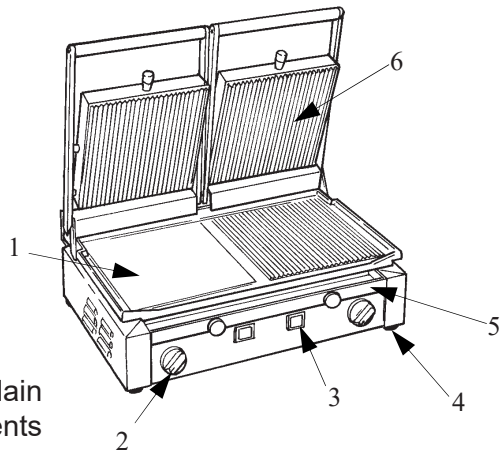


Fig. 1: Main components

## MAIN COMPONENTS

1. Lower cooking grill.
2. Thermostat.
3. Pilot lamp.
4. Feet.
5. Collection tray.
6. Upper cooking grill.

| Model                        | PG-IT-0483-R                               | PG-IT-0483          | PG-IT-0610-R                             | PG-IT-0737-R                             | PG-IT-0737               |
|------------------------------|--|---------------------|--|--|--------------------------|
| Item Number                  | 11375                                      | 11376               | 11377                                    | 11378                                    | 11380                    |
| Top and Bottom Grill Surface | 10" x 9"<br>254 x 229mm                    |                     | 10" x 14"<br>254 x 356mm                 | 10" x 19"<br>254 x 483mm                 |                          |
| Current                      | 15A  |                     |  | 13A                                      |                          |
| Thermostat Control           | 48.9 - 298.9°C / 120 - 570°F               |                     |  |  |                          |
| Power                        | 1.7 kW                                     |                     |  | 3 kW                                     |                          |
| Electrical                   | 110-120V / 60Hz / 1                        |                     |  | 220V / 60Hz / 1                          |                          |
| Top Grill                    | Ribbed                                     |                     |  |  |                          |
| Bottom Grill                 | Ribbed                                     | Smooth              | Ribbed                                   |  | 1/2 Smooth<br>1/2 Ribbed |
| Weight                       | 39.7 lbs. / 18 kgs.                        | 35.3 lbs. / 16 kgs. | 52.9 lbs. / 24 kgs.                      | 55.1 lbs. / 25 kgs.                      | 70.1 lbs. / 31.8 kgs.    |
| Packaging Weight             | 43 lbs. / 19.5 kgs.                        | 37.5 lbs. / 17 kgs. | 55.1 lbs. / 25 kgs.                      | 72.3 lbs. / 32.8 kgs.                    | 75 lbs. / 34 kgs.        |
| Open Dimensions              | 11.4" x 14.4" x 19.7"<br>290 x 365 x 500mm |                     | 15" x 14.4" x 19.7"<br>380 x 365 x 500mm | 21" x 12.8" x 19.7"<br>533 x 324 x 500mm |                          |
| Closed Dimensions            | 11.4" x 14.4" x 9.3"<br>290 x 365 x 235mm  |                     | 15" x 14.4" x 9.3"<br>380 x 365 x 235mm  | 21" x 12.8" x 7"<br>533 x 324 x 178mm    |                          |

**WARNING:** the electrical characteristics for which the appliance is designed are indicated on the reference plate applied on the side of the machine; check to make sure it corresponds with the electrical supply before connecting.

# INSTALLATION

## ASSEMBLY

The package of the grillers includes (see Fig. 2):

- a. Cardboard box and internal protections.
- b. The machine.
- c. This manual.
- d. Scraper or brush (f) in accordance with the model.
- e. EC conformity declaration.

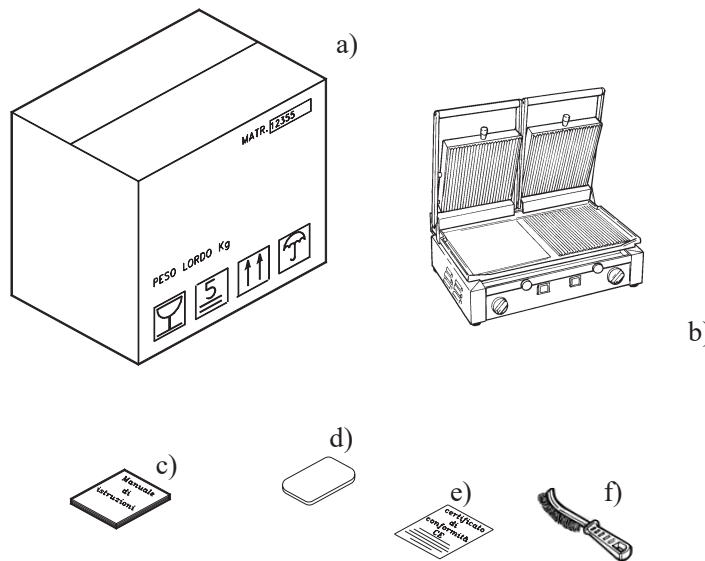


Fig. 2:  
Unpacking  
components

## PACKAGING DISPOSAL

The components of the packaging are urban solid waste; therefore they can be easily disposed. If the machine has to be installed in countries where specific regulations are in force, packaging must be disposed in compliance with them.

## SETTING UP OF THE MACHINE

The machine must be installed on a work table suitable for the grillers overall dimensions as shown. It must be adequately large, level, dry, smooth, resistant, stable and at a height of 80 cm from the ground. The machine must be installed in a room with a maximum of 75% humidity and a temperature between +5°C and +35°C.

## ELECTRICAL CONNECTIONS

The machine is equipped with a power supply cord. To connect the machine, follow the indication of the rating plate. Check that unit is grounded. Check that the features on the rating plate correspond to the features shown in the consignment and delivery note, and that the disconnecting plug and the socket are easy to reach when the machine is functioning.

## OPERATION

---

To check the machine functioning, just turn the “start” regulator knob clockwise (placing yourself in front of the knob), and starting from the minimum, observe if the pilot lamp turns on. When the pilot lamp is on, it means that the machine is functioning.

1. Thermostat.
2. Pilot lamp, it indicates that the grill is on.

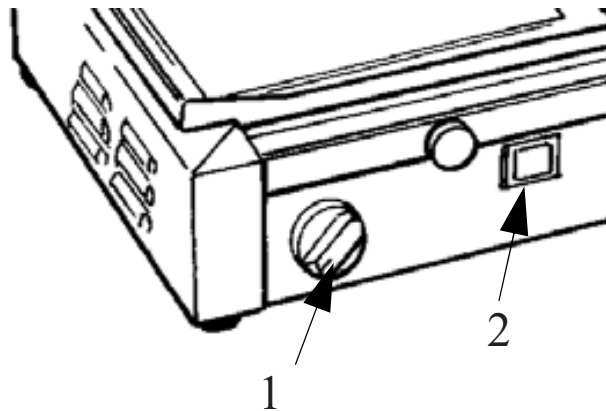


Fig. 3:  
Control  
switches  
positioning.

### FIRST USE OF THE MACHINE

When the machine is delivered, the steel surfaces are protected with a nylon anti-scratch film and residuals of glue. This film and glue has to be removed before starting the machine. Do not use sharpening tools, flammable or abrasive substances. The insulating materials used during the manufacturing and the residuals of grease and glue may produce smoke during first operation. It is necessary to start the machine outdoors, for a minimum of 15-20 minutes before normal use.

**WARNING:** when you place the product on the grid to cook, it will be hot. Pay attention to cooking operations to avoid burning dangers.

To load the product follow this procedure:

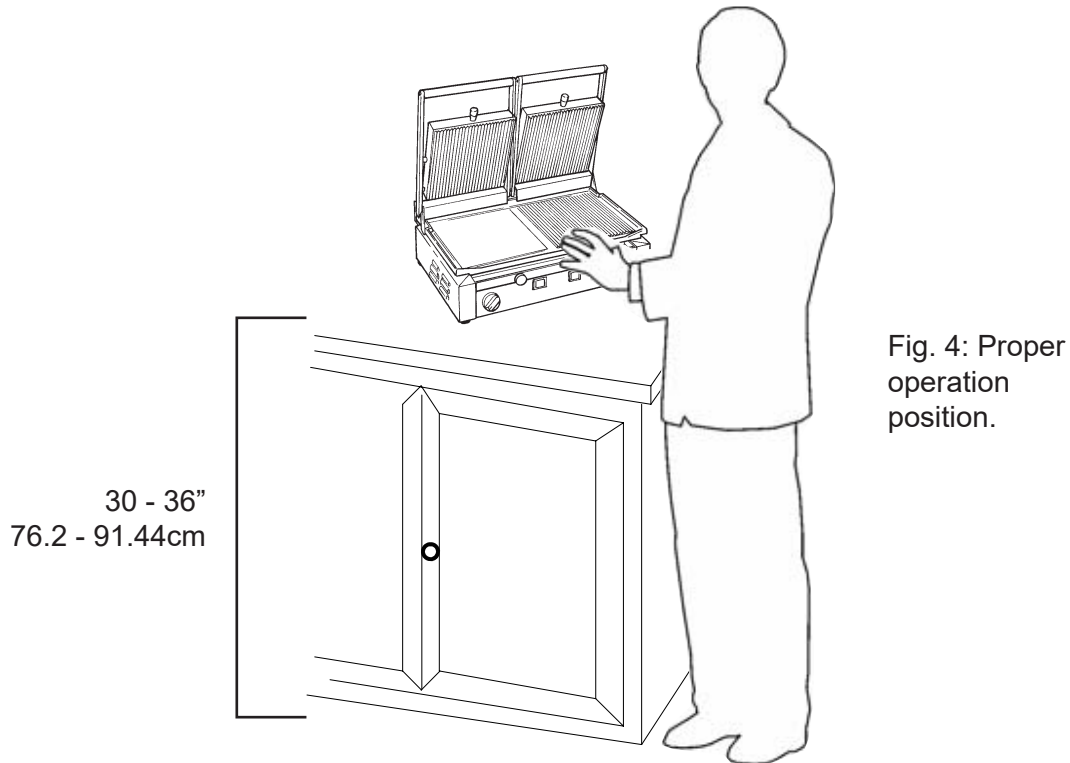
1. Place yourself in a correct position (see Fig. 4), avoiding any contact with the machine.
2. Choose the correct temperature using the knob.
3. When the grill is hot, place the product and start the cooking.
4. At the end of the cooking, remove the food and residuals from the grill.
5. If the grill is inactive for a long period (one or two hours), place the knob to 0°C and unplug.

If the machine has been turned off longer than 30 min., allow at least 10 min. for it to reach cooking temperature again. If you are not using the machine, but you think you are going to need it soon, set the temperature at 120°F, this will allow the machine to reach cooking temperature faster.



## OPERATION

---



## MAINTENANCE

---

- Cleaning the machine should be performed at least once a day and, if necessary more often.
- Never clean the machine by means of water jets, or submerge the machine.
- The cleaning of the grill can be performed when it is hot, scrape with a metallic brush on the cooking grid several times.

**ATTENTION:** do not to touch the cooking surface because this could cause burns.

- Use the same care when emptying the collecting tray to make gravy.
- It is recommended to perform these cleaning operations when the temperature has dropped but the residual grease which sticks to the grill is still a liquid.
- Do not pour water or other liquids on the grid when it is hot, because the rapid changes of temperature can damage the grills surface.

**WARNING:** before performing any cleaning operation, turn off and disconnect the plug from the electrical socket.

Periodically check whether the power cord is worn-out and, if this is the case, please call the Trento Service

## **MAINTENANCE**

---

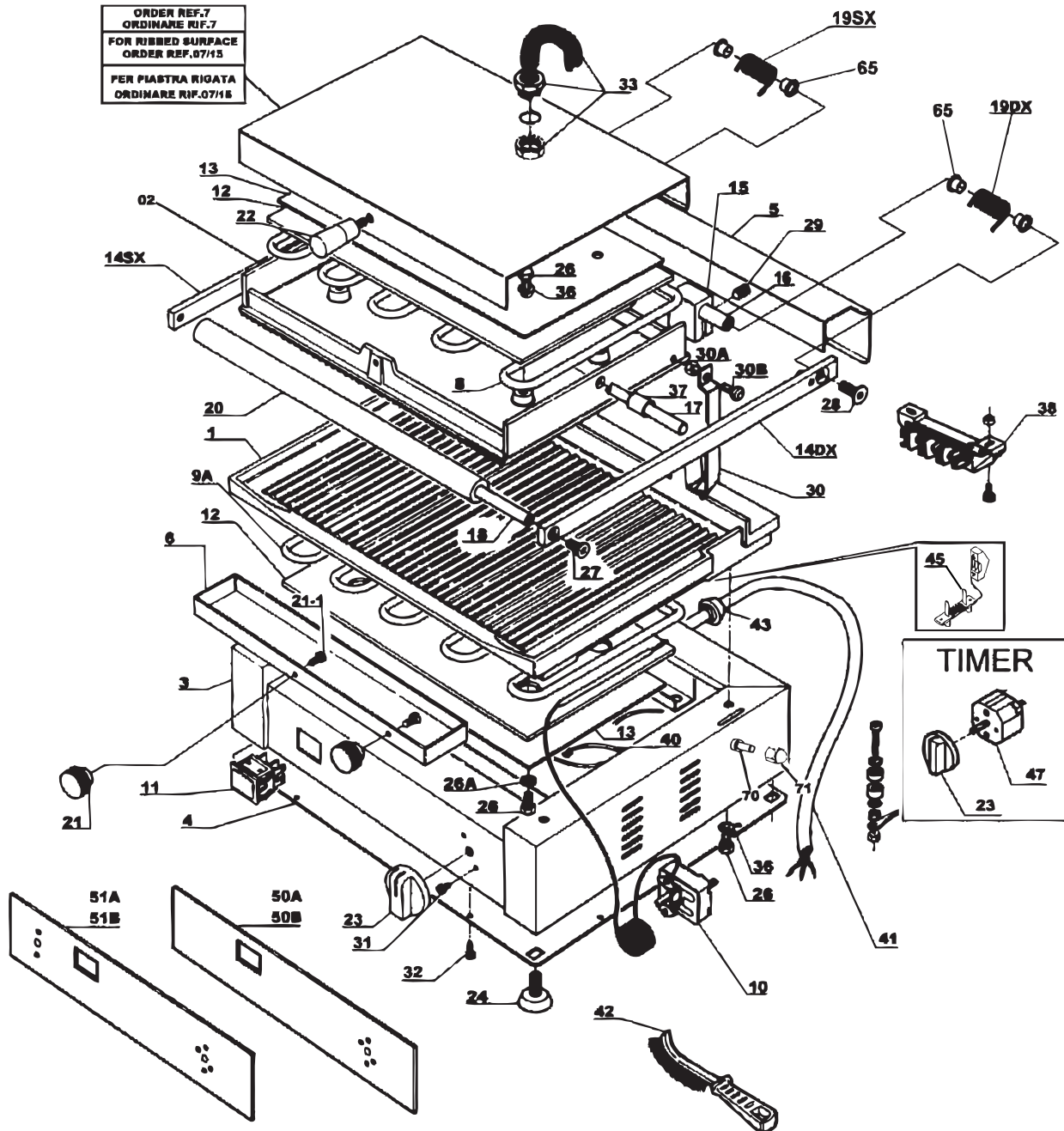
Center at 1-833-487-3686 to have it replaced.

## **DISPOSAL OF THE MACHINE**

If you decide to put the machine out of service, disconnect it from the socket. To dismantle the machine contact a specialized disposal centre, paying attention to the different materials used.

# PARTS BREAKDOWN

| ITEM  | MODEL        |
|-------|--------------|
| 11375 | PG-IT-0483-R |
| 11376 | PG-IT-0483   |



# PARTS BREAKDOWN

| ITEM  | MODEL        |
|-------|--------------|
| 11375 | PG-IT-0483-R |

| Item No. | Description                                 | Position | Item No. | Description                           | Position | Item No. | Description                                      | Position |
|----------|---|----------|----------|---------------------------------------|----------|----------|--|----------|
| AM980    | Bottom Plate Ribbed for 11375               | 1        | AM993    | Brass Brake for 11375                 | 15       | AN004    | Wire Protecting Spring D.14 for 11375            | 33       |
| AM982    | Upper Plate Ribbed for 11375                | 2        | AM994    | Lifting Pin 12x243 for 11375          | 16       | AN005    | Distance Ring Int.14x4 F.10.5 for 11375          | 37       |
| AM983    | Base for 11375                              | 3        | AM995    | Pin PD D10x247 for 11375              | 17       | AN006    | Distance Ring. EST.14x12.3 F.10.5 for 11375      | 37       |
| AM984    | Bottom for 11375                            | 4        | AM996    | Handle Pin 10x236 for 11375           | 18       | 19372    | Terminal Block for 11375                         | 38       |
| AM985    | Spring Cover for 11375                      | 5        | 63480    | Right Spring for 11375                | 19DX     | AN007    | ETL Cable with Light Complete for 11375          | 40       |
| AM986    | Stainless Steel Tub for 11375               | 6        | 63481    | Left Spring for 11375                 | 19SX     | AN008    | USA Cord 125 V 20A for 11375                     | 41       |
| AM988    | Stainless Steel Cover DX 45° for 11375      | 7        | AM997    | Black Handle L.235,5 for 11375        | 20       | 16469    | Wire Panini Brush Red Handle for 11375           | 42       |
| AM989    | Stainless Steel Cover DX 90° for 11375      | 7/15     | AM998    | Black Drawer Knob for 11375           | 21       | AN009    | Gland for 11375                                  | 43       |
| 16470    | Top Heating Element 700W 115V for 11375     | 8        | 37282    | Upper Knob Black for 11375            | 22       | AN010    | Clamp PA 268 RO CETL Plate with Screws for 11375 | 45       |
| 18828    | Bottom Heating Element 110V for 11375       | 9        | 18001    | Knob for 11375                        | 23       | AN011    | Timer Grill for 11375                            | 47       |
| 16474    | Thermostat 110/220-50/60 for 11375          | 10       | 78170    | Foot for 11375                        | 24       | AN012    | Monster for 11375                                | 50       |
| 23749    | Pilot Light 220V for 11375                  | 11       | AN000    | Flange Screw Zigr. M06x12 for 11375   | 26       | 78769    | Mostr.Graduata Dim.8x7cm for 11375               | 50A      |
| 21103    | Insulating Panel 110 ZK for 11375           | 12       | 37273    | Washer Dia.6 for 11375                | 26A, 36  | AN013    | Monster Tim for 11375                            | 51       |
| AM990    | Panel Protection for 11375                  | 13       | AN001    | Antirib for 11375                     | 30       | 78810    | Boccola Flangiata D.12 per Molle for 11375       | 65       |
| AM991    | Right Lifting Rod 25x8x363 W/ Peg for 11375 | 14DX     | AN002    | Low Hex.Nut DIN 439 M6 for 11375      | 30A      | AN014    | Screw TC + 4.8 04x010 Zinc. for 11375            | 70       |
| AM992    | Left Lifting Rod 25x8x363 W/Peg for 11375   | 14SX     | AN003    | Screw TE DIN 933 M6x14 T.F. for 11375 | 30B      | AN015    | Hex Spacer Pin ETL for 11375                     | 71       |

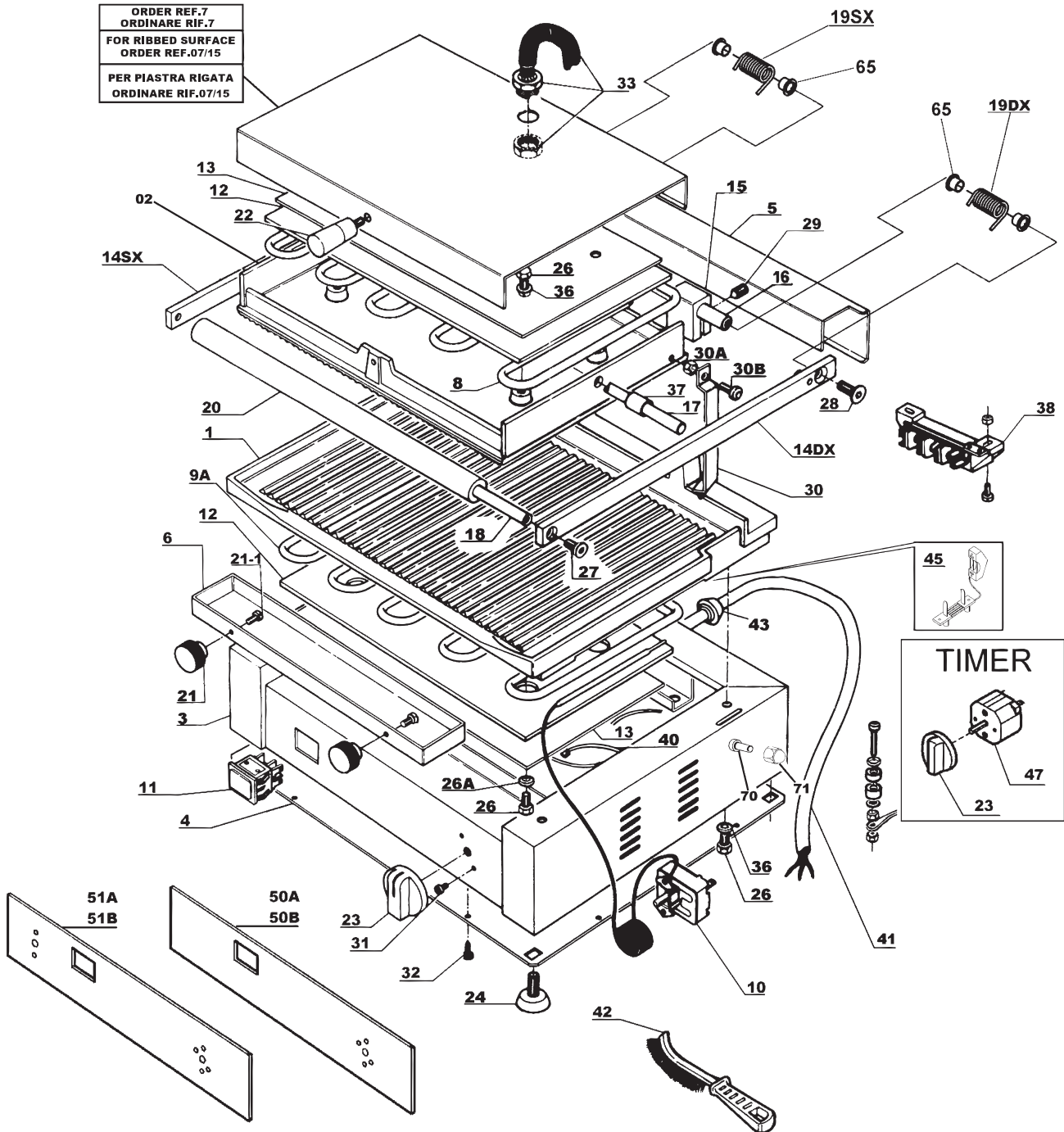
# PARTS BREAKDOWN

| ITEM  | MODEL      |
|-------|------------|
| 11376 | PG-IT-0483 |

| Item No. | Description                                 | Position | Item No. | Description                           | Position | Item No. | Description                                      | Position |
|----------|---|----------|----------|---------------------------------------|----------|----------|--|----------|
| AM979    | Bottom Plate Flat for 11376                 | 1        | AM993    | Brass Brake for 11376                 | 15       | AN004    | Wire Protecting Spring D.14 for 11376            | 33       |
| AM981    | Upper Plate Smooth for 11376                | 2        | AM994    | Lifting Pin 12x243 for 11376          | 16       | AN005    | Distance Ring Int.14x4 F.10,5 for 11376          | 37       |
| AM983    | Base for 11376                              | 3        | AM995    | Pin PD D10x247 for 11376              | 17       | AN006    | Distance Ring.Est.14x12,3 F.10,5 for 11376       | 37       |
| AM984    | Bottom for 11376                            | 4        | AM996    | Handle Pin 10x236 for 11376           | 18       | 19372    | Terminal Block for 11376                         | 38       |
| AM985    | Spring Cover for 11376                      | 5        | 63480    | Right Spring for 11376                | 19DX     | AN007    | ETL Cable with Light Complete for 11376          | 40       |
| AM986    | Stainless Steel Tub for 11376               | 6        | 63481    | Left Spring for 11376                 | 19SX     | AN008    | USA Cord 125 V 20A for 11376                     | 41       |
| AM988    | Stainless Steel Cover DX 45° for 11376      | 7        | AM997    | Black Handle L.235,5 for 11376        | 20       | 16469    | Wire Panini Brush Red Handle for 11376           | 42       |
| AM989    | Stainless Steel Cover DX 90° for 11376      | 7/15     | AM998    | Black Drawer Knob for 11376           | 21       | AN009    | Gland for 11376                                  | 43       |
| 16470    | Top Heating Element 700W 115V for 11376     | 8        | 37282    | Upper Knob Black for 11376            | 22       | AN010    | Clamp PA 268 RO CETL Plates with Screw for 11376 | 45       |
| 18828    | Bottom Heating Element 110V for 11376       | 9        | 18001    | Knob for 11376                        | 23       | AN011    | Timer Grill for 11376                            | 47       |
| 16474    | Thermostat 110/220-50/60 for 11376          | 10       | 78170    | Foot for 11376                        | 24       | AN012    | Monster for 11376                                | 50       |
| 23749    | Pilot Light 220V for 11376                  | 11       | AN000    | Flange Screw Zigr. M06x12 for 11376   | 26       | 78769    | Mostr.Graduata Dim.8x7cm for 11376               | 50A      |
| 21103    | Insulating Panel 110 ZK for 11376           | 12       | 37273    | Washer Dia.6 for 11376                | 26A, 36  | AN013    | Monster Tim for 11376                            | 51       |
| AM990    | Panel Protection for 11376                  | 13       | AN001    | Antirib for 11376                     | 30       | 78810    | Boccola Flangiata D. 12 per Molle for 11376      | 65       |
| AM991    | Right Lifting Rod 25x8x363 W/ Peg for 11376 | 14DX     | AN002    | Low Hex.Nut DIN 439 M6 for 11376      | 30A      | AN014    | Screw TC+ 4.8 04x010 Zinc. for 11376             | 70       |
| AM992    | Left Lifting Rod 25x8x363 W/Peg for 11376   | 14SX     | AN003    | Screw TE DIN 933 M6x14 T.F. for 11376 | 30B      | AN015    | Hex Spacer Pin ETL for 11376                     | 71       |

# PARTS BREAKDOWN

| ITEM  | MODEL        |
|-------|--------------|
| 11377 | PG-IT-0610-R |



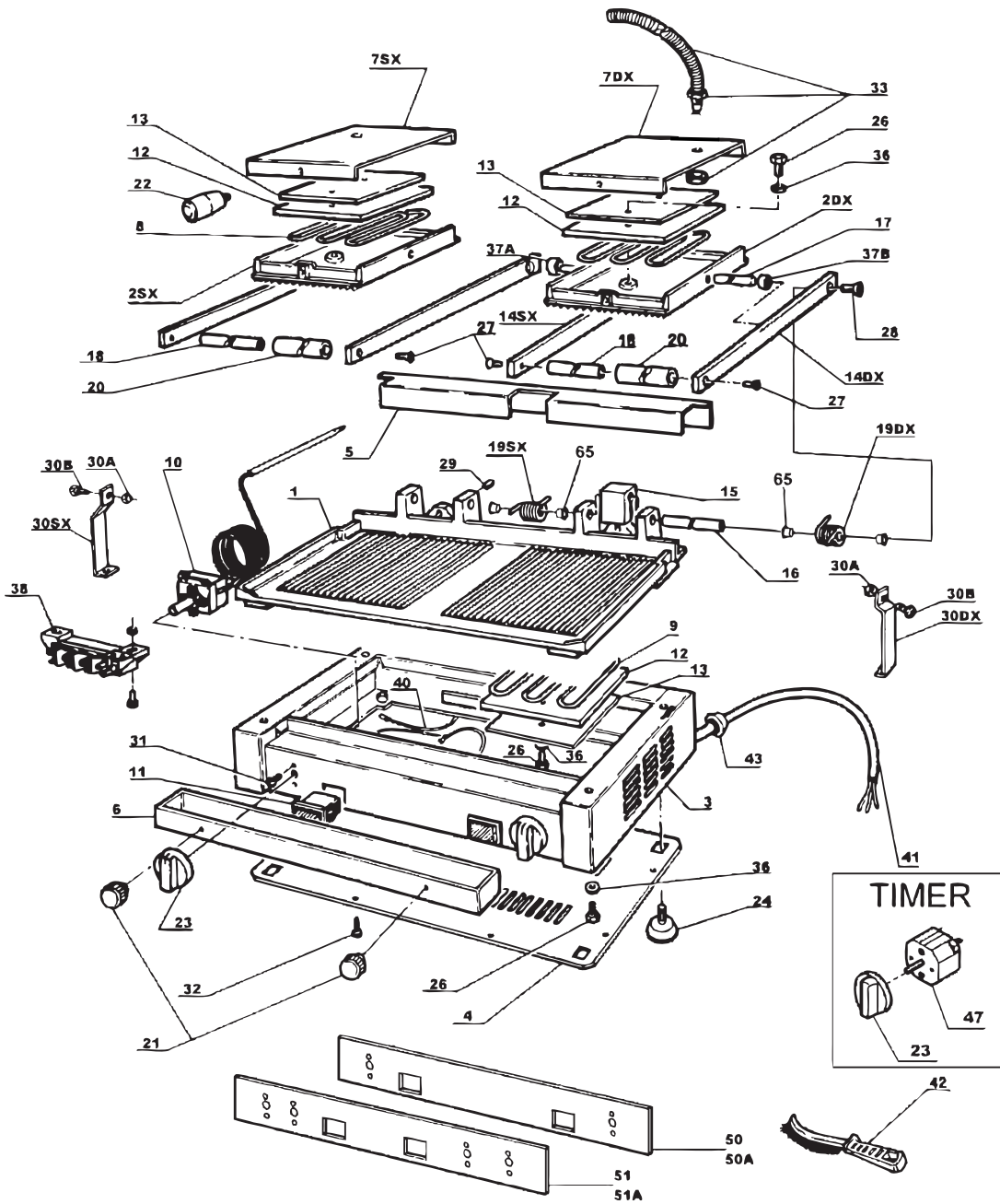
# PARTS BREAKDOWN

| ITEM  | MODEL        |
|-------|--------------|
| 11377 | PG-IT-0610-R |

| Item No. | Description                                     | Position | Item No. | Description                             | Position | Item No. | Description                                       | Position |
|----------|---|----------|----------|---|----------|----------|---|----------|
| AN016    | Bottom Surface Ribbed for 11377                 | 1        | AN027    | Lifting Pin D.12x367 for 11377          | 16       | AN004    | Wire Protecting Spring D.14 for 11377             | 33       |
| AN017    | Upper Plate Ribbed for 11377                    | 2        | AN028    | Pin Bilan.10x373 Zinc.White for 11377   | 17       | AN037    | Spacer Ring 14x17 F. 10.5 for 11377               | 37       |
| AN018    | Base for 11377                                  | 3        | AN029    | Handle Pin 10x363/M6 for 11377          | 18       | 19372    | Terminal Block for 11377                          | 38       |
| AN019    | Bottom for 11377                                | 4        | AN030    | Right Spring for 11377                  | 19DX     | AN038    | Cabl. CETL Compl. for 11377                       | 40       |
| AN020    | Spring Cover for 11377                          | 5        | AN031    | Left Spring for 11377                   | 19SX     | AN008    | USA Cord 125 V 20A for 11377                      | 41       |
| AN021    | Stainless Steel Trash Collecting Tray for 11377 | 6        | AN032    | Black Handle P. L.362,5 for 11377       | 20       | 16469    | Wire Panini Brush Red Handle for 11377            | 42       |
| AN022    | Stainless Steel Cover 45° for 11377             | 7        | AM998    | Black Drawer Knob for 11377             | 21       | AN009    | Gland for 11377                                   | 43       |
| AN023    | Stainless Steel Cover 90° for 11377             | 7/15     | 17756    | Top Plate Knob Black for 11377          | 22       | AN010    | Clamp PA 268 RO CETL Plates with Screws for 11377 | 45       |
| AN024    | Top Heating Element 700W 115V for 11377         | 8        | 18001    | Knob for 11377                          | 23       | AN011    | Timer Grill for 11377                             | 47       |
| AN025    | Bottom Heating Element 850W 115V for 11377      | 9A       | 78170    | Foot for 11377                          | 24       | AN039    | Monster Court Sir. for 11377                      | 50       |
| 16474    | Thermostat 110/220-50/60 for 11377              | 10       | 37273    | Washer Dia.6 for 11377                  | 26A, 36  | 78769    | Mostr.Graduata Dim.8x7cm for 11377                | 50A      |
| 23749    | Pilot Light 220V for 11377                      | 11       | 78800    | Screw 6x16 TPSCE for 11377              | 27       | AN040    | Mostrina Tim Sirm. for 11377                      | 51       |
| 37268    | Insulating Panel 110 ZK for 11377               | 12       | 78801    | Screw 8x18 TPSCE for 11377              | 28       | 78810    | Boccola Flangiata D.12 per Molle for 11377        | 65       |
| AN026    | Panel Protection Short Insulation for 11377     | 13       | AN033    | Grain 8x12 P. Flat PD CRT HER for 11377 | 29       | AN014    | Screw TC+ 4.8 04x010 Zinc. for 11377              | 70       |
| AM991    | Right Lifting Rod 25x8x363 W/ Peg for 11377     | 14DX     | AN034    | Anti-Rib. Court for 11377               | 30       | AN015    | Hex Spacer Pin ETL for 11377                      | 71       |
| AM992    | Left Lifting Rod 25x8x363 W/Peg for 11377       | 14SX     | AN035    | Nut EX. UNI 5587 M6 High for 11377      | 30A      |          |   |          |
| AM993    | Brass Brake for Grill for 11377                 | 15       | AN036    | Hex.Screw DIN 933 M6x16 for 11377       | 30B      |          |   |          |

# PARTS BREAKDOWN

| ITEM  | MODEL        |
|-------|--------------|
| 11378 | PG-IT-0737-R |
| 11380 | PG-IT-0737   |





# PARTS BREAKDOWN

| ITEM  | MODEL        |
|-------|--------------|
| 11378 | PG-IT-0737-R |

| Item No. | Description                                 | Position | Item No. | Description                                   | Position | Item No. | Description                                 | Position |
|----------|---|----------|----------|---|----------|----------|---|----------|
| AN041    | Bottom Plate Rib/Rib for 11378              | 1        | 63480    | Right Spring for 11378                        | 19DX     | 37273    | Washer Dia.6 for 11378                      | 36       |
| AM982    | Upper Plate Ribbed for 11378                | 2DX      | 63481    | Left Spring for 11378                         | 19SX     | AN005    | Distance Ring Int.14x4 F.10.5 for 11378     | 37A      |
| 78795    | Left Top Surface-Grooved for 11378          | 2SX      | AM997    | Black Handle L.235,5 for 11378                | 20A      | AN006    | Distance Ring.Est.14x12.3 F.10.5 for 11378  | 37B      |
| AN043    | Stainless Steel Base for 11378              | 3        | AM998    | Black Drawer Knob for 11378                   | 21A      | 19372    | Terminal Block for 11378                    | 38       |
| AN044    | Fund Top for 11378                          | 4        | 78799    | Pomello P. Sup. Nero for 11378                | 22A      | AK103    | Protection Spiral Wires for 11378           | 40       |
| AN045    | Spring Cover for 11378                      | 5        | 18001    | Knob for 11378                                | 23       | AN054    | Power Cord 3x12 AWG, US Plug for 11378      | 41       |
| AN046    | Stainless Steel Collecting Tray for 11378   | 6        | 78170    | Foot for 11378                                | 24       | 16469    | Wire Panini Brush Red Handle for 11378      | 42       |
| AM989    | Stainless Steel Cover DX 90° for 11378      | 7DX      | AN048    | Screw TE M6x12 Flang. Knurled Black for 11378 | 26       | AN055    | Cable Gland PG 13.5+Nut for 11378           | 43       |
| AN047    | LH Stainless Steel Cover 90° for 11378      | 7SX      | AN000    | Flange Screw Zigr. M06x12 for 11378           | 26       | AN011    | Timer Grill for 11378                       | 47       |
| 16471    | Top Heating Element 220V for 11378          | 8        | 78800    | Screw 6x16 TPSCE for 11378                    | 27       | AN056    | Monster PD Sir. for 11378                   | 50       |
| 16473    | Bottom Heating Element 220V for 11378       | 9        | 78801    | Screw 8x18 TPSCE for 11378                    | 28       | 78769    | Mostr.Graduata Dim.8x7cm for 11378          | 50A      |
| 16474    | Thermostat 110/220-50/60 for 11378          | 10       | AN033    | Grain 8x12 P. Flat CRT HER for 11378          | 29       | AN057    | Face Plate W. Tim for 11378                 | 51       |
| 23749    | Pilot Light 220V for 11378                  | 11       | AN049    | Nut M.6 Extra Low Zinc. for 11378             | 30A      | 78808    | Monst. Pers/Neutra. Timer for 11378         | 51A      |
| 21103    | Insulating Panel 110 ZK for 11378           | 12       | AN036    | Hex.Screw DIN 933 M6x16 for 11378             | 30A      | 78810    | Flanged Bushing D12 for Spring for 11378    | 65       |
| AM990    | Panel Protection for 11378                  | 13       | AN050    | Screw M6x16 TE Inox A2 for 11378              | 30B      | AN058    | Screw TC- 5x8 Inox A2 for 11378             | 72       |
| AM991    | Right Lifting Rod 25x8x363 W/ Peg for 11378 | 14DX     | AN002    | Low Hex.Nut Din 439 M6 for 11378              | 30B      | AN059    | Screw TBL M4x12 Washed Combi for 11378      | 73       |
| AM992    | Left Lifting Rod 25x8x363 W/Peg for 11378   | 14SX     | AN001    | Antirib for 11378                             | 30DX     | AN060    | Serrated Washers D.4 Zinc for 11378         | 74       |
| AM993    | Brass Brake for Grill for 11378             | 15       | AN051    | Anti-Rib SX for 11378                         | 30SX     | AN061    | Hex Nut M4 Medium Z.White for 11378         | 75       |
| AM994    | Lifting Pin 12x243 for 11378                | 16       | AN052    | Screw M4x5 TC Z.Bianca x Thermostat for 11378 | 31       | AN062    | Nut M6 Low Zinc. for 11378                  | 76       |
| AM995    | Pin D10x247 for 11378                       | 17       | AN053    | Self-Tapping Screws TC+ 4.2x06.5 for 11378    | 32       | AN063    | Screw TE M4x3.5 Z.White for Timer for 11378 | 77       |
| AM996    | Handle Pin 10x236 for 11378                 | 18       | AN004    | Wire Protecting Spring D.14 for 11378         | 33       |          |   |          |

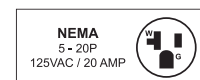
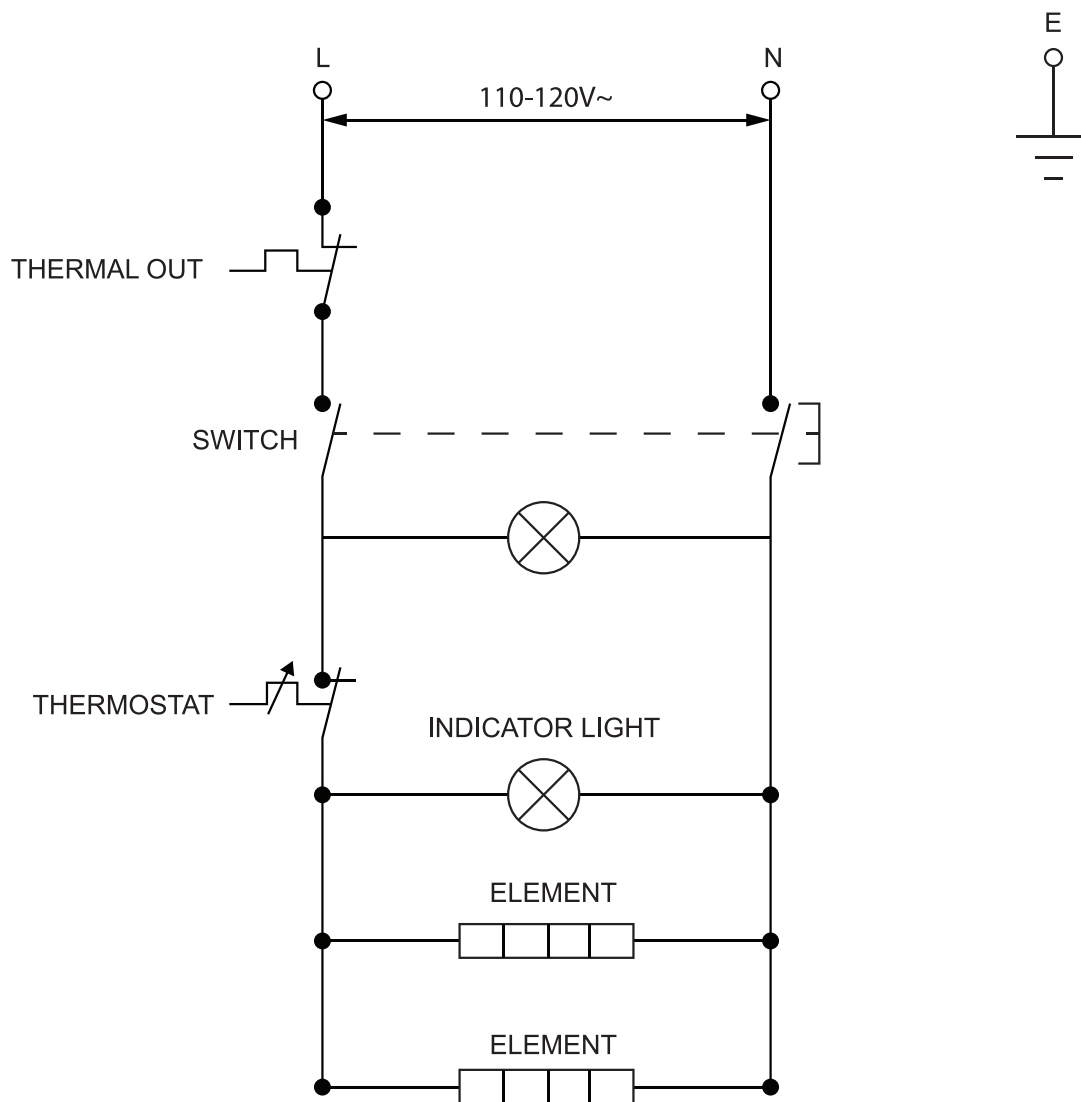
# PARTS BREAKDOWN

| ITEM  | MODEL      |
|-------|------------|
| 11380 | PG-IT-0737 |

| Item No. | Description                                   | Position | Item No. | Description                                   | Position | Item No. | Description                                 | Position |
|----------|---|----------|----------|---|----------|----------|---|----------|
| AN042    | Bottom Plate Flat/Ribbed for 11380            | 1        | 63480    | Right Spring for 11380                        | 19DX     | 37273    | Washer Dia.6 for 11380                      | 36       |
| AM982    | Upper Plate Ribbed for 11380                  | 2DX      | 63481    | Left Spring for 11380                         | 19SX     | AN005    | Distance Ring Int.14x4 F.10.5 for 11380     | 37A      |
| 78795    | Left Top Surface-Grooved for 11380            | 2SX      | AM997    | Black Handle L.235,5 for 11380                | 20A      | AN006    | Distance Ring.Est.14x12,3 F.10,5 for 11380  | 37B      |
| AN043    | Stainless Steel Base for 11380                | 3        | AM998    | Black Drawer Knob for 11380                   | 21A      | 19372    | Terminal Block for 11380                    | 38       |
| AN044    | Fund for 11380                                | 4        | 78799    | Pomello P. Sup. Nero for 11380                | 22A      | AK103    | Protection Spiral Wires for 11380           | 40       |
| AN045    | Spring Cover for 11380                        | 5        | 18001    | Knob for 11380                                | 23       | AN054    | Power Cord, 3x12 AWG, US Plug for 11380     | 41       |
| AN046    | Stainless Steel Collecting Tray Top for 11380 | 6        | 78170    | Foot for 11380                                | 24       | 16469    | Wire Panini Brush Red Handle for 11380      | 42       |
| AM989    | Stainless Steel Cover DX 90° for 11380        | 7DX      | AN048    | Screw TE M6x12 Flang. Knurled Black for 11380 | 26       | AN055    | Cable Gland PG 13,5+Nut for 11380           | 43       |
| AN047    | LH Stainless Steel Cover 90° for 11380        | 7SX      | AN000    | Flange Screw Zigr. M06x12 for 11380           | 26       | AN011    | Timer Grill for 11380                       | 47       |
| 16471    | Top Heating Element 220V for 11380            | 8        | 78800    | Screw 6x16 TPSCE for 11380                    | 27       | AN056    | Monster Sir. for 11380                      | 50       |
| 16473    | Bottom Heating Element 220V 501 for 11380     | 9        | 78801    | Screw 8x18 TPSCE for 11380                    | 28       | 78769    | Mostr.Graduata Dim.8x7cm for 11380          | 50A      |
| 16474    | Thermostat 110/220-50/60 for 11380            | 10       | AN033    | Grain 8x12 P. Flat for 11380                  | 29       | AN057    | Face Plate W. Tim for 11380                 | 51       |
| 23749    | Pilot Light 220V for 11380                    | 11       | AN049    | Nut M.6 Extra Low Zinc. for 11380             | 30A      | 78808    | Monst. Pers/Neutra. Timer for 11380         | 51A      |
| 21103    | Insulating Panel 110 ZK for 11380             | 12       | AN036    | Hex.Screw DIN 933 M6x16 for 11380             | 30A      | 78810    | Boccola Flangiata D. 12 per Molle for 11380 | 65       |
| AM990    | Panel Protection for 11380                    | 13       | AN050    | Screw M6x16 TE Inox A2 for 11380              | 30B      | AN058    | Screw TC- 5x8 Inox A2 for 11380             | 72       |
| AM991    | Right Lifting Rod 25x8x363 W/ Peg for 11380   | 14DX     | AN002    | Low Hex.Nut DIN 439 M6 for 11380              | 30B      | AN059    | Screw TBL M4x12 Washed Combi for 11380      | 73       |
| AM992    | Left Lifting Rod 25x8x363 W/Peg for 11380     | 14SX     | AN001    | Antirib for 11380                             | 30DX     | AN060    | Serrated Washers D.4 Zinc for 11380         | 74       |
| AM993    | Brass Brake for Grill for 11380               | 15       | AN051    | Anti-Rib. SX for 11380                        | 30SX     | AN061    | Hex Nut M4 Medium Z.White for 11380         | 75       |
| AM994    | Lifting Pin 12x243 for 11380                  | 16       | AN052    | Screw M4x5 TC Z.Bianca x Thermostat for 11380 | 31       | AN062    | Nut M6 Low Zinc. for 11380                  | 76       |
| AM995    | Pin PD D10x247 for 11380                      | 17       | AN053    | Self-Tapping Screws TC+ 4.2x06.5 for 11380    | 32       | AN063    | Screw TE M4x3,5 Z.White for Timer for 11380 | 77       |
| AM996    | Handle Pin 10x236 for 11380                   | 18       | AN004    | Wire Protecting Spring D.14 for 11380         | 33       |          |   |          |

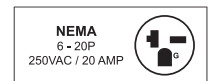
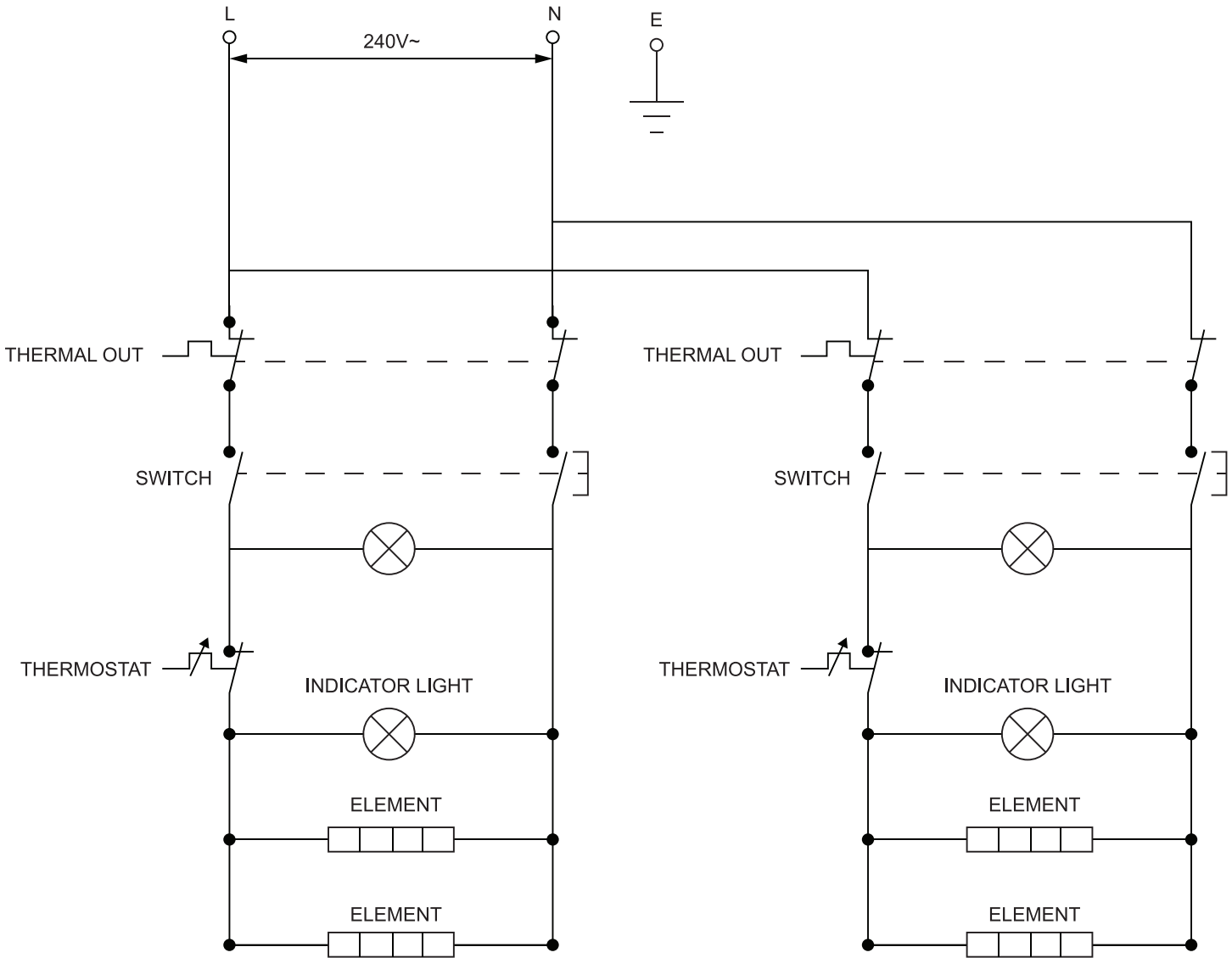
# ELECTRICAL SCHEMATICS

| ITEM  | MODEL        |
|-------|--------------|
| 11375 | PG-IT-0483-R |
| 11376 | PG-IT-0483   |
| 11377 | PG-IT-0610-R |



# ELECTRICAL SCHEMATICS

| ITEM  | MODEL        |
|-------|--------------|
| 11378 | PG-IT-0737-R |
| 11380 | PG-IT-0737   |







# WARRANTY REGISTRATION

Thank you for purchasing an Trento product. To register your warranty for this product, complete the information below, tear off the card at the perforation and then send to the address specified below. You can also register online by visiting:

Merci d'avoir acheté un produit Trento. Pour enregistrer votre garantie pour ce produit, complétez les informations ci-dessous, détachez la carte au niveau de la perforation, puis l'envoyer à l'adresse spécifiée ci-dessous. Vous pouvez également vous inscrire en ligne en visitant:

Gracias por comprar un producto Trento usted. Para registrar su garantía para este producto, complete la información a continuación, cortar la tarjeta en la perforación y luego enviarlo a la dirección indicada a continuación. También puede registrarse en línea en:

***<https://omcan.com/warranty-registration/>***

**For mailing in Canada**

**Pour postale au Canada**

**Por correo en Canadá**

**TRENTO**

PRODUCT WARRANTY REGISTRATION

3115 Pepper Mill Court,  
Mississauga, Ontario  
Canada, L5L 4X5

**For mailing in the US**

**Pour diffusion aux États-Unis**

**Por correo en los EE.UU.**

**TRENTO**

PRODUCT WARRANTY REGISTRATION

4450 Witmer Industrial Estates, Unit 4,  
Niagara Falls, New York  
USA, 14305

***or email to: [trentoservice@trentoequipment.com](mailto:trentoservice@trentoequipment.com)***



Purchaser's Information

Name: \_\_\_\_\_ Company Name: \_\_\_\_\_

Address: \_\_\_\_\_ Telephone: \_\_\_\_\_

City: \_\_\_\_\_ Province or State: \_\_\_\_\_ Postal or Zip: \_\_\_\_\_ Email Address: \_\_\_\_\_

Country: \_\_\_\_\_ Type of Company: \_\_\_\_\_

Dealer from which Purchased: \_\_\_\_\_  Restaurant  Bakery  Deli

Dealer City: \_\_\_\_\_ Dealer Province or State: \_\_\_\_\_  Butcher  Supermarket  Caterer

Invoice: \_\_\_\_\_  Institution (specify): \_\_\_\_\_

Model Name: \_\_\_\_\_ Model Number: \_\_\_\_\_ Serial Number: \_\_\_\_\_

Machine Description: \_\_\_\_\_

Date of Purchase (MM/DD/YYYY): \_\_\_\_\_ Date of Installation (MM/DD/YYYY): \_\_\_\_\_

Would you like to extend the warranty?  Yes  No

**Thank you for choosing Trento | Merci d'avoir choisi Trento | Gracias por elegir Trento**

# TRENTO

ELEVATING CULINARY EXCELLENCE

TRENTO IS A SIGNATURE LINE OF PROFESSIONAL  
RESTAURANT EQUIPMENT FROM OMCAN  
OFFERING PREMIUM EUROPEAN BRANDS TO THE  
NORTH AMERICAN MARKET.

Thank you for your purchase!



Follow us on social media  
@trentoequipment

