



Pizza Wrapping Machine
Model SE-US-0630
Item 13216
Instruction Manual



Revised - 04/25/2023



Toll Free: 1-800-465-0234
Fax: 905-607-0234
Email: service@omcan.com
www.omcan.com



Table of Contents

Model SE-US-0630

Section	Page
General Information -----	3 - 4
Safety and Warranty -----	4 - 5
Technical Specifications -----	5
Installation -----	5 - 6
Operation -----	6 - 7
Maintenance -----	7
Parts Breakdown -----	8 - 9
Electrical Schematics -----	10
Warranty Registration -----	11



General Information

Omcan Manufacturing and Distributing Company Inc., Food Machinery of America, Inc. dba Omcan and Omcan Inc. are not responsible for any harm or injury caused due to any person's improper or negligent use of this equipment. The product shall only be operated by someone over the age of 18, of sound mind, and not under the influence of any drugs or alcohol, who has been trained in the correct operation of this machine, and is wearing authorized, proper safety clothing. Any modification to the machine voids any warranty, and may cause harm to individuals using the machine or in the vicinity of the machine while in operation.

CHECK PACKAGE UPON ARRIVAL

Upon receipt of an Omcan shipment please inspect for external damage. If no damage is evident on the external packaging, open carton to ensure all ordered items are within the box, and there is no concealed damage to the machine. If the package has suffered rough handling, bumps or damage (visible or concealed), please note it on the bill of lading before accepting the delivery and contact Omcan within 24 hours, so we may initiate a claim with the carrier. A detailed report on the extent of the damage caused to the machine must be filled out within three days, from the delivery date shown in the shipping documents. Omcan has no recourse for damaged products that were shipped collect or third party.

Before operating any equipment, always read and familiarize yourself with all operation and safety instructions.

Omcan would like to thank you for purchasing this machine. It's of the utmost importance to save these instructions for future reference. Also save the original box and packaging for shipping the equipment if servicing or returning of the machine is required.

Omcan Fabrication et distribution Compagnie Limitée et Food Machinery d'Amérique, dba Omcan et Omcan Inc. ne sont pas responsables de tout dommage ou blessure causé du fait que toute personne ait utilisé cet équipement de façon irrégulière. Le produit ne doit être exploité que par quelqu'un de plus de 18 ans, sain d'esprit, et pas sous l'influence d'une drogue ou d'alcool, qui a été formé pour utiliser cette machine correctement, et est vêtu de vêtements de sécurité appropriés. Toute modification de la machine annule toute garantie, et peut causer un préjudice à des personnes utilisant la machine ou des personnes à proximité de la machine pendant son fonctionnement.

VÉRIFIEZ LE COLIS DÈS RÉCEPTION

Dès réception d'une expédition d'Omcan veuillez inspecter pour dommages externes. Si aucun dommage n'est visible sur l'emballage externe, ouvrez le carton afin de s'assurer que tous les éléments commandés sont dans la boîte, et il n'y a aucun dommage dissimulé à la machine. Si le colis n'a subi aucune mauvaises manipulations, de bosses ou de dommages (visible ou cachée), notez-le sur le bond de livraison avant d'accepter la livraison et contactez Omcan dans les 24 heures qui suivent, pour que nous puissions engager une réclamation auprès du transporteur. Un rapport détaillé sur l'étendue des dommages causés à la machine doit être rempli dans un délai de trois jours, à compter de la date de livraison indiquée dans les documents d'expédition. Omcan n'a aucun droit de recours pour les produits endommagés qui ont été expédiés ou cueilli par un tiers transporteur.

General Information

Avant d'utiliser n'importe quel équipement, toujours lire et vous familiariser avec toutes les opérations et les consignes de sécurité.

Omcan voudrais vous remercier d'avoir choisi cette machine. Il est primordial de conserver ces instructions pour une référence ultérieure. Également conservez la boîte originale et l'emballage pour l'expédition de l'équipement si l'entretien ou le retour de la machine est nécessaire.

Omcan Empresa De Fabricacion Y Distribucion Inc. Y Maquinaria De Alimentos De America, Inc. dba Omcan y Omcan Inc. no son responsables de ningun daño o perjuicio causado por cualquier persona inadecuada o el uso descuidado de este equipo. El producto solo podra ser operado por una persona mayor de 18 años, en su sano juicio y no bajo alguna influencia de droga o alcohol, y que este ha sido entrenado en el correcto funcionamiento de esta máquina, y ésta usando ropa apropiada y autorizada. Cualquier modificación a la máquina anula la garantía y puede causar daños a las personas usando la máquina mientras esta en el funcionamiento.

REVISE EL PAQUETE A SU LLEGADA

Tras la recepcion de un envio Omcan favor inspeccionar daños externos. Si no hay daños evidentes en el empaque exterior, Habra el carton para asegurarse que todos los articulos solicitados estén dentro de la caja y no encuentre daños ocultos en la máquina. Si el paquete ha sufrido un manejo de poco cuidado, golpes o daños (visible o oculto) por favor anote en la factura antes de aceptar la entrega y contacte Omcan dentro de las 24 horas, de modo que podamos iniciar una reclamación con la compañía. Un informe detallado sobre los daños causados a la máquina debe ser llenado en el plazo de tres días, desde la fecha de entrega que se muestra en los documentos de envío. Omcan no tiene ningun recurso por productos dañados que se enviaron a recoger por terceros.

Antes de utilizar cualquier equipo, siempre lea y familiarizarse con todas las instrucciones de funcionamiento y seguridad.

Omcan le gustaría darle las gracias por la compra de esta máquina. Es de la mayor importancia para salvar estas instrucciones para futuras consultas. Además, guarda la caja original y el embalaje para el envío del equipo si servicio técnico o devolución de la máquina que se requiere.

Safety and Warranty

RESIDENTIAL USERS: Vendor assumes no liability for parts or labor coverage for component failure or other damages resulting from installation in non-commercial or residential applications. The right is reserved to deny shipment for residential usage; if this occurs, you will be notified as soon as possible.

1 YEAR PARTS AND LABOUR BENCH WARRANTY



Safety and Warranty

Within the warranty period, contact Omcan Inc. at 1-800-465-0234 to schedule a drop off to either an Omcan authorized service depot in the area, or to an Omcan Service warehouse to repair the equipment.

Unauthorized maintenance will void the warranty. Warranty covers electrical and part failures, not improper use.

Please see <https://omcan.com/disclaimer> for complete info.

WARNING:

The packaging components are classified as normal solid urban waste and can therefore be disposed of without difficulty.

In any case, for suitable recycling, we suggest disposing of the products separately (differentiated waste) according to the current norms.

DO NOT DISCARD ANY PACKAGING MATERIALS IN THE ENVIRONMENT!

Technical Specifications

Model	SE-US-0630
Power	1150W
Current	12.5A
Electrical	110-120V / 60Hz / 1
Protective Shield Diameter	14" / 356mm
Dimensions	12" x 12" x 7" / 305 x 305 x 178mm
Packaging Dimensions	17" x 16" x 10" / 432 x 406 x 254mm
Packaging Weight	13 lbs. / 6 kgs.
Item Number	13216

Installation

UNPACKING AND ASSEMBLY

- Remove Deli-Wrap from carton.

Installation

- Remove cardboard from bottom of unit and heating element.
(CAUTION: DO NOT PLUG UNIT IN WITH CARDBOARD HEATING ELEMENT SUPPORT IN PLACE).
- Screw threaded rod into disc.
- Thread wing nut on the opposite end of rod so the wings of the nut face jam nut.
- Thread disc and rod assembly into grill assembly until the height is approx. 4-1/2" to 5".
- Lock wing nut against grill assembly. (The 4-1/2" to 5" dimension given is only a starting place. Due to the differences in wrapping mediums, you may have to adjust your pedestal height to attain best wrapping results.)
- Place grill with pedestal assembly on the brackets riveted to the inner shroud.
- Clean out tray can then be put in place. Clean out tray should be centered between shroud support brackets and resting on the base of the unit.

You are now ready to operate the unit.

CAUTION: THE CARDBOARD SUPPORT MUST BE REMOVED FROM THE HEATING ELEMENT BEFORE ENERGIZING UNIT.

Operation

Plug unit in and turn the thermostat switch between the medium and high position. Pre-heat the machine for approximately 3 minutes.

Place the product being wrapped on the center of the pedestal, immediately tear off a sheet of shrink wrap material from the dispenser and place over product paying special attention to the symmetry. Best results will be achieved if the wrapping material is evenly laid over the product.

In approximately 10 to 20 seconds your product will be enveloped and sealed. Remove from the pedestal and allow to cool.

Operation

CAUTION: DO NOT LEAVE PRODUCT UNATTENDED WHEN WRAPPING.

1. Tear shrink film at the perforation.
Be sure to place film on dispenser so it feeds from the bottom. If you pull film from “over” the roll tearing could occur.
2. Place cardboard round with pizza on heated deli wrapper; place shrink film on top of pizza.
3. Allow deli wrapper to shrink film around pizza.
4. Professionally wrapped pizza is now ready for sale.



Maintenance

Unplug unit before any cleaning, servicing or maintenance is performed.

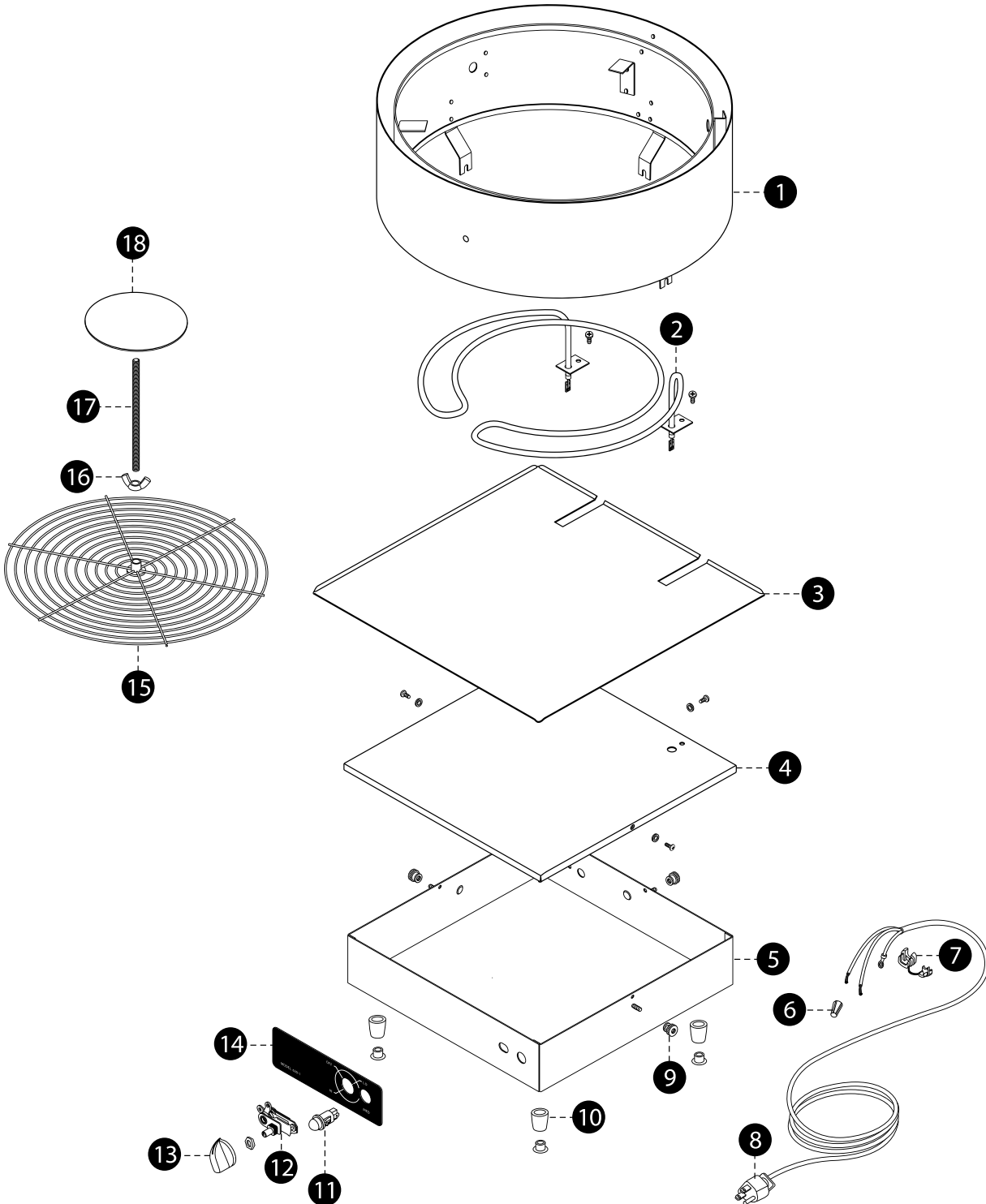
The outer shroud, inner shroud, clean out tray and grill assembly with pedestal can be removed for daily cleaning.

CAUTION: ALLOW UNIT TO COOL BEFORE REMOVING ANY PARTS. DO NOT IMMERSE BASE ASSEMBLY OF THE DELI WRAP IN WATER.

Replace all parts after cleaning.

Parts Breakdown

Model SE-US-0630 13216





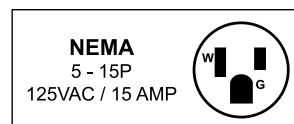
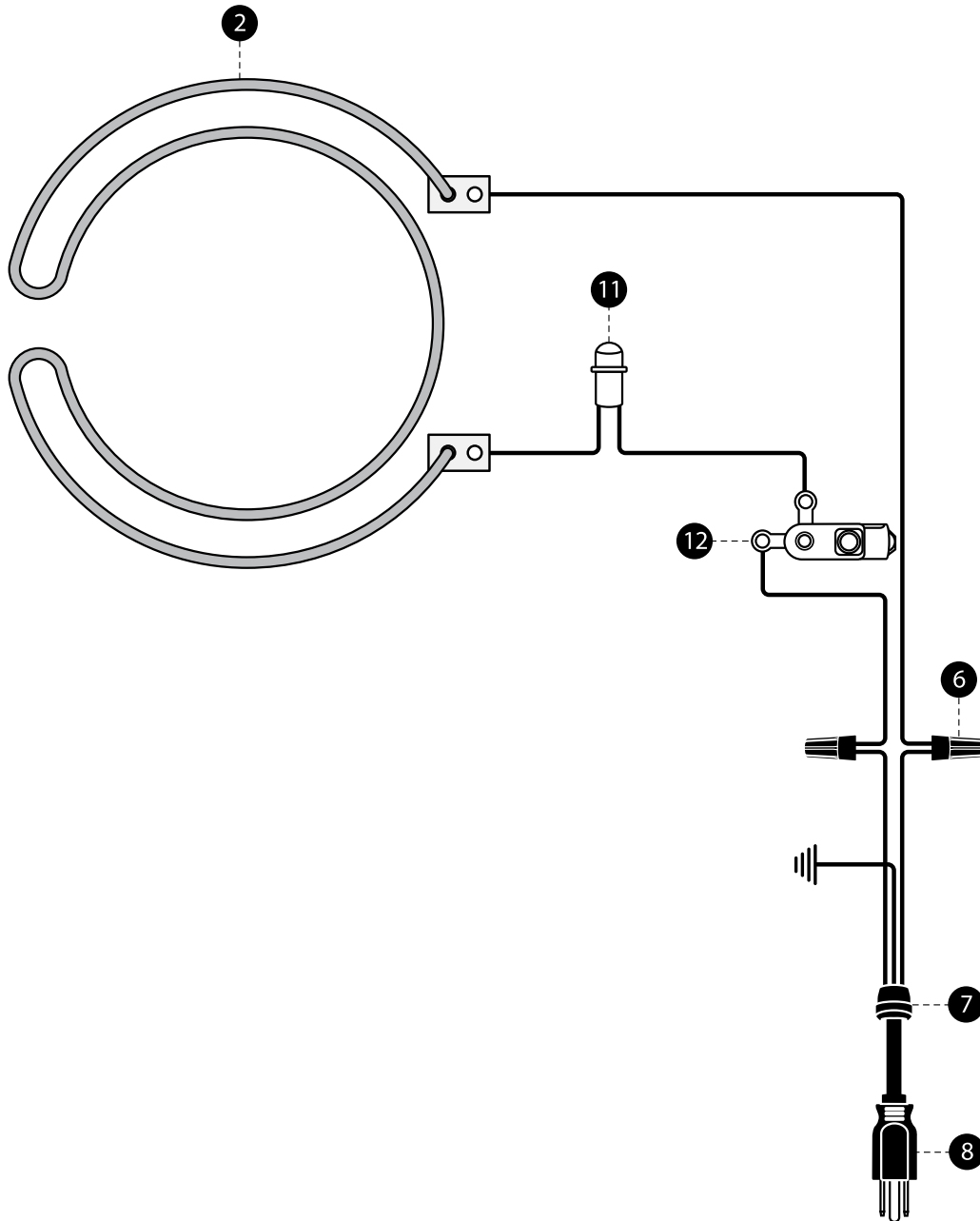
Parts Breakdown

Model SE-US-0630 13216

Item No.	Description	Position	Item No.	Description	Position	Item No.	Description	Position
78456	Shroud Assembly for 13216	1	22477	Red Pilot Light for 13216	11	13199	10" Adapter Disc for 14"-16" Pizza for 13216	
78457	1500W Heating Element for 13216	2	22647	Thermostat for 13216	12	78474	14-1/2 White Wire Lead for 13216	
78458	Clean Out Tray for 13216	3	24031	Thermostat Knob for 13216	13	78475	13" White Wire Lead for 13216	
78459	Top for 13216	4	78467	Control Decal for 13216	14	78476	Shrink Film 20" x 20" for 13216	
78460	Case for 13216	5	78468	Grill Stand for 13216	15	78477	Shrink Film 24" x 24" for 13216	
78461	Wire Nut for 13216	6	78469	3/8 - 16 Wing Nut for 13216	16	78478	Shrink Film 22" x 22" for 13216	
78462	Strain Relief for 13216	7	78470	Rod Threaded for 13216	17	78479	Shrink Film 16" x 16" for 13216	
78463	Power Cord for 13216	8	78471	3-1/2 Adapter Disc for 6"-8" Pizza for 13216	18	78480	Shrink Film 18" x 18" for 13216	
78464	Thumb Nut 10-24 for 13216	9	78466	On/Off Switch for 13216		78481	Single Tier Shrink Film Dispenser for 13216	
78465	Bottom Foot Service Kit for 13216	10	78472	Disc with Nut for 10"-12" Pizza for 13216		78482	2 Tier Shrink Film Dispenser for 13216	

Electrical Schematics

Model SE-US-0630 13216





Warranty Registration

Thank you for purchasing an Omcan product. To register your warranty for this product, complete the information below, tear off the card at the perforation and then send to the address specified below. You can also register online by visiting:

Merci d'avoir acheté un produit Omcan. Pour enregistrer votre garantie pour ce produit, complétez les informations ci-dessous, détachez la carte au niveau de la perforation, puis l'envoyer à l'adresse spécifiée ci-dessous. Vous pouvez également vous inscrire en ligne en visitant:

Gracias por comprar un producto Omcan usted. Para registrar su garantía para este producto, complete la información a continuación, cortar la tarjeta en la perforación y luego enviarlo a la dirección indicada a continuación. También puede registrarse en línea en:

<https://omcan.com/warranty-registration/>

For mailing in Canada

Pour postale au Canada

Por correo en Canadá

OMCAN

PRODUCT WARRANTY REGISTRATION

3115 Pepper Mill Court,

Mississauga, Ontario

Canada, L5L 4X5

For mailing in the US

Pour diffusion aux États-Unis

Por correo en los EE.UU.

OMCAN

PRODUCT WARRANTY REGISTRATION

4450 Witmer Industrial Estates, Unit 4,

Niagara Falls, New York

USA, 14305

or email to: service@omcan.com



Purchaser's Information

Name: _____

Address: _____

City: _____ Province or State: _____ Postal or Zip: _____

Country: _____

Dealer from which Purchased: _____

Dealer City: _____ Dealer Province or State: _____

Invoice: _____

Model Name: _____ Model Number: _____

Machine Description: _____

Date of Purchase (MM/DD/YYYY): _____

Would you like to extend the warranty? Yes No

Company Name: _____

Telephone: _____

Email Address: _____

Type of Company:

Restaurant Bakery Deli

Butcher Supermarket Caterer

Institution (specify): _____

Other (specify): _____

Serial Number: _____

Date of Installation (MM/DD/YYYY): _____

Thank you for choosing Omcan | Merci d'avoir choisi Omcan | Gracias por elegir Omcan



Since 1951 Omcan has grown to become a leading distributor of equipment and supplies to the North American food service industry. Our success over these many years can be attributed to our commitment to strengthen and develop new and existing relationships with our valued customers and manufacturers. Today with partners in North America, Europe, Asia and South America, we continually work to improve and grow the company. We strive to offer customers exceptional value through our qualified local sales and service representatives who provide convenient access to over 6,500 globally sourced products.

Depuis 1951 Omcan a grandi pour devenir un des “leaders” de la distribution des équipements et matériel pour l’industrie des services alimentaires en Amérique du Nord. Notre succès au cours de ces nombreuses années peut être attribué à notre engagement à renforcer et à développer de nouvelles et existantes relations avec nos clients et les fabricants de valeur. Aujourd’hui avec des partenaires en Amérique du Nord, Europe, Asie et Amérique du Sud, nous travaillons continuellement à améliorer et développer l’entreprise. Nous nous efforçons d’offrir à nos clients une valeur exceptionnelle grâce à nos ventes locales qualifiées et des représentants de service qui offrent un accès facile à plus de 6500 produits provenant du monde entier.

Desde 1951 Omcan ha crecido hasta convertirse en un líder en la distribución de equipos y suministros de alimentos en América del Norte industria de servicios. Nuestro éxito en estos años se puede atribuir a nuestro compromiso de fortalecer y desarrollar nuevas relaciones existentes con nuestros valiosos clientes y fabricantes. Hoy con socios de América del Norte, Europa, Asia y América del Sur, que trabajan continuamente para mejorar y crecer la empresa. Nos esforzamos por ofrecer a nuestros clientes valor excepcional a través de nuestro local de ventas y representantes de los servicios que proporcionan un fácil acceso a más de 6,500 productos con origen a nivel mundial.

