



Pallet Truck
Item 19978
Instruction Manual



Revised - 11/11/2022

Toll Free: 1-800-465-0234
Fax: 905-607-0234
Email: service@omcan.com
www.omcan.com



Table of Contents

Item 19978

Section	Page
General Information -----	3 - 4
Safety and Warranty -----	4 - 7
Technical Specifications -----	7
Installation and Operation -----	7 - 8
Maintenance -----	8
Troubleshooting -----	9
Figure Drawings -----	10 - 11
Notes -----	12 - 14
Warranty Registration -----	15



General Information

Omcan Manufacturing and Distributing Company Inc., Food Machinery of America, Inc. dba Omcan and Omcan Inc. are not responsible for any harm or injury caused due to any person's improper or negligent use of this equipment. The product shall only be operated by someone over the age of 18, of sound mind, and not under the influence of any drugs or alcohol, who has been trained in the correct operation of this machine, and is wearing authorized, proper safety clothing. Any modification to the machine voids any warranty, and may cause harm to individuals using the machine or in the vicinity of the machine while in operation.

CHECK PACKAGE UPON ARRIVAL

Upon receipt of an Omcan shipment please inspect for external damage. If no damage is evident on the external packaging, open carton to ensure all ordered items are within the box, and there is no concealed damage to the machine. If the package has suffered rough handling, bumps or damage (visible or concealed), please note it on the bill of lading before accepting the delivery and contact Omcan within 24 hours, so we may initiate a claim with the carrier. A detailed report on the extent of the damage caused to the machine must be filled out within three days, from the delivery date shown in the shipping documents. Omcan has no recourse for damaged products that were shipped collect or third party.

Before operating any equipment, always read and familiarize yourself with all operation and safety instructions.

Omcan would like to thank you for purchasing this machine. It's of the utmost importance to save these instructions for future reference. Also save the original box and packaging for shipping the equipment if servicing or returning of the machine is required.

Omcan Fabrication et distribution Compañie Limité et Food Machinery d'Amérique, dba Omcan et Omcan Inc. ne sont pas responsables de tout dommage ou blessure causé du fait que toute personne ait utilisé cet équipement de façon irrégulière. Le produit ne doit être exploité que par quelqu'un de plus de 18 ans, saine d'esprit, et pas sous l'influence d'une drogue ou d'alcool, qui a été formé pour utiliser cette machine correctement, et est vêtu de vêtements de sécurité approprié. Toute modification de la machine annule toute garantie, et peut causer un préjudice à des personnes utilisant la machine ou des personnes à proximité de la machine pendant son fonctionnement.

VÉRIFIEZ LE COLIS DÈS RÉCEPTION

Dès réception d'une expédition d'Omcan veuillez inspecter pour dommages externes. Si aucun dommage n'est visible sur l'emballage externe, ouvrez le carton afin de s'assurer que tous les éléments commandés sont dans la boîte, et il n'y a aucun dommage dissimulé à la machine. Si le colis n'a subi aucune mauvaises manipulations, de bosses ou de dommages (visible ou cachée), notez-le sur le bond de livraison avant d'accepter la livraison et contactez Omcan dans les 24 heures qui suivent, pour que nous puissions engager une réclamation auprès du transporteur. Un rapport détaillé sur l'étendue des dommages causés à la machine doit être rempli dans un délai de trois jours, à compter de la date de livraison indiquée dans les documents d'expédition. Omcan n'a aucun droit de recours pour les produits endommagés qui ont été expédiés ou cueilli par un tiers transporteur.

General Information

Avant d'utiliser n'importe quel équipement, toujours lire et vous familiariser avec toutes les opérations et les consignes de sécurité.

Omcan voudrais vous remercier d'avoir choisi cette machine. Il est primordial de conserver ces instructions pour une référence ultérieure. Également conservez la boîte originale et l'emballage pour l'expédition de l'équipement si l'entretien ou le retour de la machine est nécessaire.

Omcan Empresa De Fabricacion Y Distribucion Inc. Y Maquinaria De Alimentos De America, Inc. dba Omcan y Omcan Inc. no son responsables de ningun daño o perjuicio causado por cualquier persona inadecuada o el uso descuidado de este equipo. El producto solo podra ser operado por una persona mayor de 18 años, en su sano juicio y no bajo alguna influencia de droga o alcohol, y que este ha sido entrenado en el correcto funcionamiento de esta máquina, y ésta usando ropa apropiada y autorizada. Cualquier modificación a la máquina anula la garantía y puede causar daños a las personas usando la máquina mientras esta en el funcionamiento.

REVISE EL PAQUETE A SU LLEGADA

Tras la recepcion de un envio Omcan favor inspeccionar daños externos. Si no hay daños evidentes en el empaque exterior, Habra el carton para asegurarse que todos los articulos solicitados estén dentro de la caja y no encuentre daños ocultos en la máquina. Si el paquete ha sufrido un manejo de poco cuidado, golpes o daños (visible o oculto) por favor anote en la factura antes de aceptar la entrega y contacte Omcan dentro de las 24 horas, de modo que podamos iniciar una reclamación con la compañía. Un informe detallado sobre los daños causados a la máquina debe ser llenado en el plazo de tres días, desde la fecha de entrega que se muestra en los documentos de envío. Omcan no tiene ningun recurso por productos dañados que se enviaron a recoger por terceros.

Antes de utilizar cualquier equipo, siempre lea y familiarizarse con todas las instrucciones de funcionamiento y seguridad.

Omcan le gustaría darle las gracias por la compra de esta máquina. Es de la mayor importancia para salvar estas instrucciones para futuras consultas. Además, guarda la caja original y el embalaje para el envío del equipo si servicio técnico o devolución de la máquina que se requiere.

Safety and Warranty

- Please read the operation instruction carefully before you operate the hand pallet truck and learn about all the features of this type of hand pallet truck.
- If you want to let the truck down by controlling the hand knob, you should better lift the hand knob a little at first, and then let the truck down slowly. It is forbidden to pull the handle knob with great force, because rapid dropping could cause some damages to both the hand pallet truck and cargo.
- Don't rock the hand grip at a high speed and in a high frequency!
- Don't load the cargo at a high speed.

Safety and Warranty

- Do not overload the forks. Overloading could keep the hand pallet truck from working normally.
- The gravity center of cargo should be in the middle of truck forks. The offset of cargo could make hand pallet truck out of balance.
- Don't load loose or unstable goods!
- Don't put the goods on the truck fork for a long time!
- When the truck does not work, make sure that the truck forks are on the lowest position and the power should be cut off!
- It is forbidden to load people and let them stand on the forks to slide. Don't put any part of body below the cargo.
- Do not operate the unnamed position!
- The truck shall be used, serviced and repaired according to the manufacturer's requirements and shall not be modified or have attachments fitted without ensuring that the truck is still safe.
- Do not use the hand pallet truck at an insufficiently illuminated place!
- Do not park the hand pallet truck by turning the hand grip to the right!
- Do not use the hand pallet truck as bumper jack!
- The extremity of fork arms shall not be used as a lever to lift a load!
- It is forbidden to use the truck at places where a risk of unintentional movement exists.
- It is forbidden to contact the truck with goods or cargo directly!
- Do not use the hand pallet truck in a potentially explosive atmosphere.
- During the operation of the hand pallet truck, the operator should pay more attention to the feet and any body part so as to avoid the risk of being crushed.
- The truck shall be used, serviced and repaired according to the manufacturer's requirements.

POINTS FOR ATTENTION AND SAFETY NORMS

- The operators must put on the work clothes, safety shoes and gloves during the operation of the hand pallet truck.
- When the hand pallet trucks are transported by truck, the hand pallet trucks should be locked in order to prevent the trucks from moving.
- When the hand pallet truck is used for the motor vehicle, the truck must be moved slowly to ensure safety.
- The wheels, bearings and bushings of the truck are wearing parts. Please change them according to situation.
- Do not park the truck on the slope or in emergency passages.
- When the hand pallet truck is used on the slope, the operator should operate the pallet truck carefully to ensure the operator on top of the slope.
- When the hand pallet truck is not in use, the forks should be lowered to the lowest position.
- It is forbidden to stop the truck on the slope.
- Do not park the truck at places where will block the traffic or is inconvenient for work.
- Do not use the truck in rainy environment.
- It is forbidden for the operator to sit or stand on the hand pallet truck to operate the truck.
- It is forbidden to make turns on the slope.
- Do not pile the cargo too high in order to prevent the goods from falling down or overturning of the truck.
- Do not use the hand pallet truck to carry people.
- Untrained personnel are not allowed to stand around the operation area in order to avoid injury caused by sudden malfunction.

Safety and Warranty

- Before the hand pallet truck is pushed into the elevator, the operator shall make sure that the elevator can bear the total load of hand pallet truck and cargo as well as the total weight of the operator and other personnel in the elevator. When entering the elevator, people should let the load enter first but not operator. When the load or hand pallet truck enters or leaves the elevator, other personnel should not stay in the elevator.
- The hand pallet truck should be stored in dry and ventilated environment.
- When the cargo weight exceeds 2500kg, please operate the truck by two person together for labor-saving.

INSPECTION BEFORE USE

If the hand pallet truck is not used for a long time, air may get into the hydraulic system. Due to this, the trouble can be eliminated by the following method: Turn the hand knob to the drop position and rock the handle for 4 to 6 times. Then release the operation knob. If necessary, the process can be repeated for several times until the hand pallet truck can be operated normally.

LOADING TYPE AND RATED WEIGHT

The ideal loading type is that the gravity center of the cargo is just in the middle of the truck forks. The rated weight must be reduced when the cargo gravity center is not in the middle of the truck forks. The rated weight is shown as the label.

OIL

The oil capacity which oil pump needs is about 250ml (or 0.25kg). According to the ISO oil criterion, the choice of oil is 32# when the environment temperature during -5~40°C. The choice of oil is low temperature oil when the environment temperature during -35~-5°C.

NOTE:

1. The truck shall be used, serviced and repaired according to the manufacturer's requirements.
2. The truck shall not be modified or have attachments fitted without ensuring that the truck is still safe.
3. When the cargo weight exceeds 2500kg, please operate the truck by two persons together for labor-saving.

RESIDENTIAL USERS: Vendor assumes no liability for parts or labor coverage for component failure or other damages resulting from installation in non-commercial or residential applications. The right is reserved to deny shipment for residential usage; if this occurs, you will be notified as soon as possible.

6 MONTHS PARTS AND LABOR WARRANTY

Within the warranty period, contact Omcan Inc. at 1-800-465-0234 to schedule an Omcan authorized service technician to repair the equipment locally.

Unauthorized maintenance will void the warranty. Warranty covers electrical and part failures, not improper use.

Safety and Warranty

Please see <https://omcan.com/disclaimer> for complete info.

WARNING:

The packaging components are classified as normal solid urban waste and can therefore be disposed of without difficulty.

In any case, for suitable recycling, we suggest disposing of the products separately (differentiated waste) according to the current norms.

DO NOT DISCARD ANY PACKAGING MATERIALS IN THE ENVIRONMENT!

Technical Specifications

Item Number	19978
Capacity	5511 lbs. / 2500 kgs.
Steering Wheels (Dia. x W)	7.9" x 2" / 201 x 51mm
Packaging Weight	196 lbs. / 89 kgs.
Dimensions	63" x 27.25" x 47.24" / 1600 x 692 x 1200mm
Packaging Dimensions	63" x 27.3" x 18" / 1600 x 692 x 457mm

Installation and Operation

APPLICABLE RANGE

- Hand pallet truck is a low lift transportation tool which is limited to move palletized cargo. This kind of truck possesses the feature of stable lifting, easy operation, safety and reliability etc.
- The working place must be non-slip, hard and flat ground without holes or obstacles.
- The ambient lighting is 50 lux at least.

ASSEMBLY OF HAND PALLET TRUCK

- See fig 1, pull out the pin roll 1.
- Insert the hand grip 3 to place A. Couple the hand grip 3 and pump body 5 with pin roll 1.
- Then get the spring pin 2 through pin roll 1 and fix it.
- See fig 2. Put the chain 4 of hand grip get across the middle hole of pin roll 1.
- Take screw nut which is at the end of chain 4 and hitch the groove of lever board 6. See fig 2 and fig 4.

Installation and Operation

- See fig 3, turn the hand grip to the level position, pull out pin 7 and save pin 7 with care for next use.

TEST OF HAND PALLET TRUCK

- After the truck is assembled, try to rock the hand grip and operate different positions of control handle knob 10 to examine the lifting, free position and dropping and check that whether the different positions are normal or not. See fig 5.
- The screw 9 in fig 4 is used to adjust the truck situation. When the truck body drops immediately after it is lifted, you should turn the screw 9 a little counter-clockwise. And then try the truck again until truck body could lift normally. If the truck body couldn't drop after it is lifted, you should turn the screw 9 a little clockwise. And then try to operate truck again until the truck body could drop normally. The external hexagon nut 8 at screw 9 plays the locking function in the truck. So you should undo the external hexagon nut 10 before adjustment. And screw down the nut 8 after you finish the adjustment.

OPERATION

- Before operation of the hand pallet truck please make sure that whether the cargo weight exceeds the rated load or not.
- The cargo loading type is shown as fig 6.
- See fig 5, when hand knob 10 is placed on the lift position, the truck will be in a state of lift. At this time, if you rock the hand grip, the truck will be lifted.
- See fig 5, when hand knob 10 is placed on the free position, the truck will travel. At this time, if you rock the hand grip, the truck will neither lift nor drop. Then, you can use the truck to move the cargo.
- See fig 5, when the hand knob 10 is placed on the drop position, truck forks will drop. At this time, the truck forks will drop automatically.
- See fig 5, when the hand knob 12 is placed below, the truck will be in a state of free walking.
- See fig 5, when the hand knob 12 is placed above, the truck will be in a state of brake.
- See fig 5, hand knob 11 is used for release brake.

Maintenance

The routine check should be carried out daily and every abnormal phenomenon should be dealt with immediately. Please do not use faulty truck in order to prolong the service life. If there are any faults, please consult the professional. If it is necessary to replace the parts, the new parts should be provided by the original manufacturer. All the rotary joints should renew the motor oil every three months. Especially pay more attention to the place between wheel and axis. Make sure that there is not any yarn or other rags in order to keep all wheels running with handiness.

DISPOSAL OF WASTE OIL

The waste hydraulic oil shall be disposed in terms of relative laws. And it is forbidden to pouring out anywhere.

Troubleshooting

Problems	Possible Causes	Solutions
The forks can't be lifted to the maximum lift height.	Hydraulic oil is not enough.	Add appropriate filtrated working oil.
The forks can't return to the lowest position.	Too much hydraulic oil.	Take out appropriate working oil.
	The rotary parts are deformed or blocked. The trunk piston and guides bushing are blocked.	Replace the parts.
The forks can't drop after lifted.	There is something abnormal in the unloading device.	Readjust the unloading device.
	The parts are deformed and damaged.	Replace the deformed and damaged parts.
Hydraulic oil leakage.	The oil seal is unavailable.	Replace the oil seal.
	The surface of some parts is damaged or worn.	Replace the damaged parts.
	The coupled places become loosened.	Fasten the loosened place again.
The fork can't be lifted.	The viscosity of the working oil is too high, or there is no working oil.	Replace the working oil.
	There is impurity in the oil.	Clear up the impurity and add new working oil.
	There is something abnormal in the unloading device.	Readjust the unloading device.
When the handle is rocked, the forks drop immediately after they are lifted; the handle returns or the forks drop markedly after they are lifted.	The valve of oil pump is blocked by abnormal matter.	Open the valve and take out the parts. Then re-install the parts after they are cleaned.

Figure Drawings

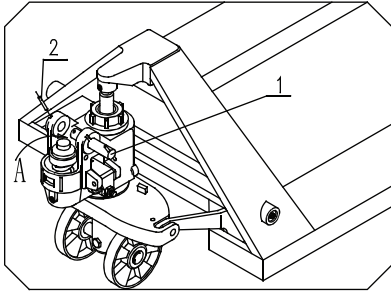


Fig. 1.

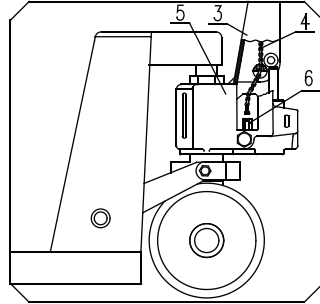


Fig. 2.

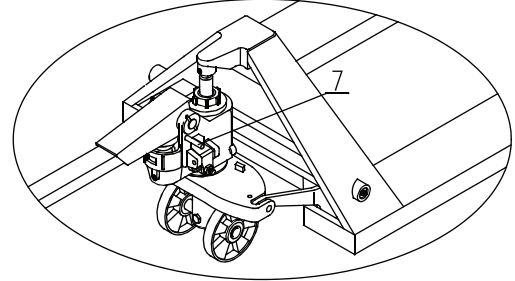


Fig. 3.

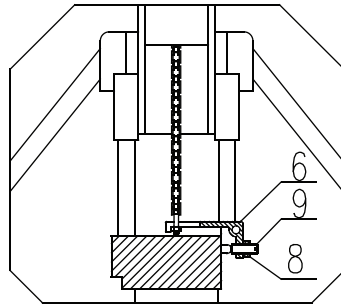


Fig. 4.

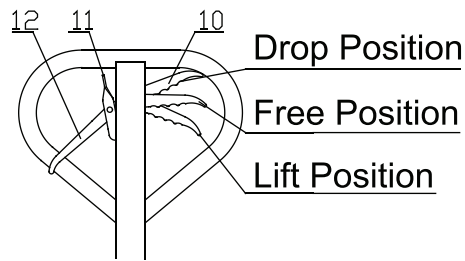


Fig. 5.

Figure Drawings

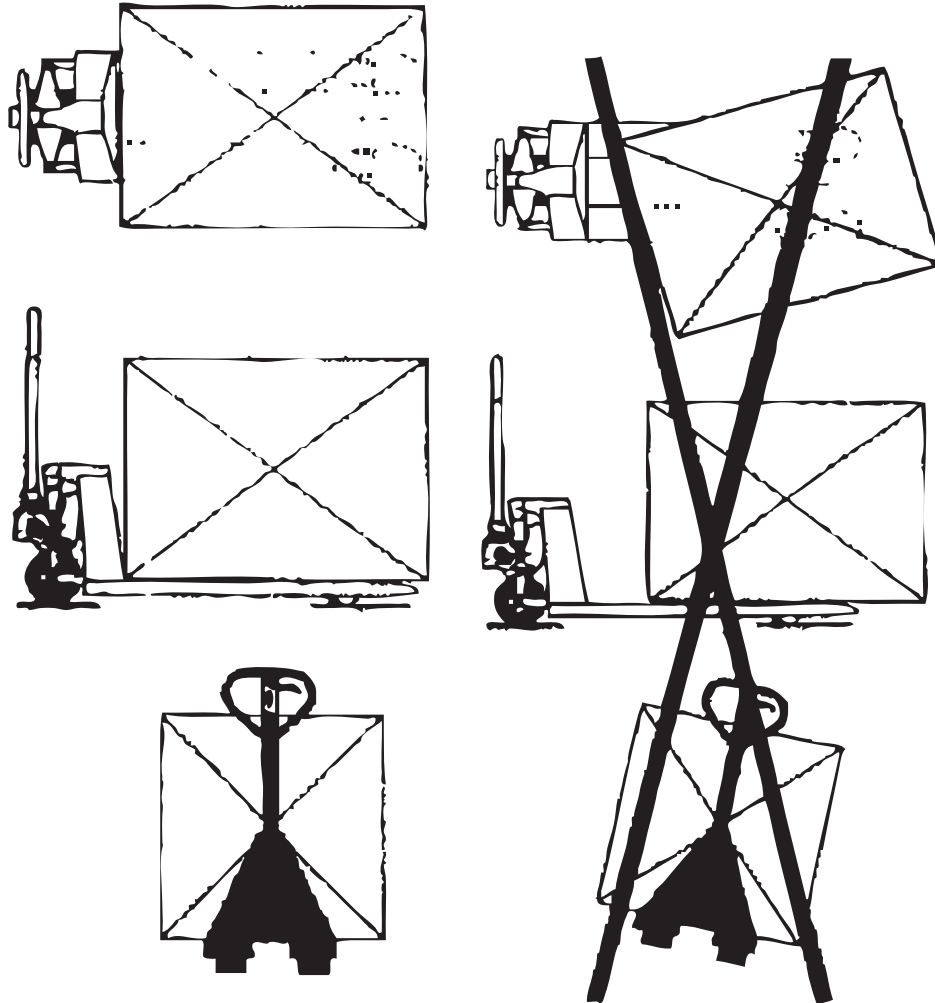


Fig. 6.

Notes



Warranty Registration

Thank you for purchasing an Omcan product. To register your warranty for this product, complete the information below, tear off the card at the perforation and then send to the address specified below. You can also register online by visiting:

Merci d'avoir acheté un produit Omcan. Pour enregistrer votre garantie pour ce produit, complétez les informations ci-dessous, détachez la carte au niveau de la perforation, puis l'envoyer à l'adresse spécifiée ci-dessous. Vous pouvez également vous inscrire en ligne en visitant:

Gracias por comprar un producto Omcan usted. Para registrar su garantía para este producto, complete la información a continuación, cortar la tarjeta en la perforación y luego enviarlo a la dirección indicada a continuación. También puede registrarse en línea en:

<https://omcan.com/warranty-registration/>

For mailing in Canada

Pour postale au Canada

Por correo en Canadá

OMCAN

PRODUCT WARRANTY REGISTRATION

3115 Pepper Mill Court,

Mississauga, Ontario

Canada, L5L 4X5

For mailing in the US

Pour diffusion aux États-Unis

Por correo en los EE.UU.

OMCAN

PRODUCT WARRANTY REGISTRATION

4450 Witmer Industrial Estates, Unit 4,

Niagara Falls, New York

USA, 14305

or email to: service@omcan.com



Purchaser's Information

Name: _____

Address: _____

City: _____ Province or State: _____ Postal or Zip: _____

Country: _____

Dealer from which Purchased: _____

Dealer City: _____ Dealer Province or State: _____

Invoice: _____

Model Name: _____ Model Number: _____

Machine Description: _____

Date of Purchase (MM/DD/YYYY): _____

Would you like to extend the warranty? Yes No

Company Name: _____

Telephone: _____

Email Address: _____

Type of Company:

Restaurant Bakery Deli

Butcher Supermarket Caterer

Institution (specify): _____

Other (specify): _____

Serial Number: _____

Date of Installation (MM/DD/YYYY): _____

Thank you for choosing Omcan | Merci d'avoir choisi Omcan | Gracias por elegir Omcan



Since 1951 Omcan has grown to become a leading distributor of equipment and supplies to the North American food service industry. Our success over these many years can be attributed to our commitment to strengthen and develop new and existing relationships with our valued customers and manufacturers. Today with partners in North America, Europe, Asia and South America, we continually work to improve and grow the company. We strive to offer customers exceptional value through our qualified local sales and service representatives who provide convenient access to over 6,500 globally sourced products.

Depuis 1951 Omcan a grandi pour devenir un des “leaders” de la distribution des équipements et matériel pour l’industrie des services alimentaires en Amérique du Nord. Notre succès au cours de ces nombreuses années peut être attribué à notre engagement à renforcer et à développer de nouvelles et existantes relations avec nos clients et les fabricants de valeur. Aujourd’hui avec des partenaires en Amérique du Nord, Europe, Asie et Amérique du Sud, nous travaillons continuellement à améliorer et développer l’entreprise. Nous nous efforçons d’offrir à nos clients une valeur exceptionnelle grâce à nos ventes locales qualifiées et des représentants de service qui offrent un accès facile à plus de 6500 produits provenant du monde entier.

Desde 1951 Omcan ha crecido hasta convertirse en un líder en la distribución de equipos y suministros de alimentos en América del Norte industria de servicios. Nuestro éxito en estos años se puede atribuir a nuestro compromiso de fortalecer y desarrollar nuevas relaciones existentes con nuestros valiosos clientes y fabricantes. Hoy con socios de América del Norte, Europa, Asia y América del Sur, que trabajan continuamente para mejorar y crecer la empresa. Nos esforzamos por ofrecer a nuestros clientes valor excepcional a través de nuestro local de ventas y representantes de los servicios que proporcionan un fácil acceso a más de 6,500 productos con origen a nivel mundial.

