



## **Gravity Meat Slicers**

**Models MS-IT-0220-C, 0250-C, 0300-C  
Items 31342, 31343, 31344  
Instruction Manual**



*Revised - 11/28/2023*



Toll Free: 1-800-465-0234  
Fax: 905-607-0234  
Email: [service@omcan.com](mailto:service@omcan.com)  
[www.omcan.com](http://www.omcan.com)

*In Compliance with Province  
of Quebec safety standards.*

*Only available in Quebec*



# ***Table of Contents***

Model MS-IT-0220-C / Model MS-IT-0250-C / Model MS-IT-0300-C

---

<b>Section</b>	<b>Page</b>
General Information -----	3 - 4
Safety and Warranty -----	4 - 6
Technical Specifications -----	6 - 9
Installation -----	9 - 10
Operation -----	10 - 11
Maintenance -----	11 - 14
Troubleshooting -----	14 - 15
Instructions Français -----	15 - 27
Parts Breakdown -----	28 - 33
Electrical Schematics -----	34 - 35
Notes -----	36 - 38
Warranty Registration -----	39



# General Information

---

Omcan Manufacturing and Distributing Company Inc., Food Machinery of America, Inc. dba Omcan and Omcan Inc. are not responsible for any harm or injury caused due to any person's improper or negligent use of this equipment. The product shall only be operated by someone over the age of 18, of sound mind, and not under the influence of any drugs or alcohol, who has been trained in the correct operation of this machine, and is wearing authorized, proper safety clothing. Any modification to the machine voids any warranty, and may cause harm to individuals using the machine or in the vicinity of the machine while in operation.

## CHECK PACKAGE UPON ARRIVAL

Upon receipt of an Omcan shipment please inspect for external damage. If no damage is evident on the external packaging, open carton to ensure all ordered items are within the box, and there is no concealed damage to the machine. If the package has suffered rough handling, bumps or damage (visible or concealed), please note it on the bill of lading before accepting the delivery and contact Omcan within 24 hours, so we may initiate a claim with the carrier. A detailed report on the extent of the damage caused to the machine must be filled out within three days, from the delivery date shown in the shipping documents. Omcan has no recourse for damaged products that were shipped collect or third party.

**Before operating any equipment, always read and familiarize yourself with all operation and safety instructions.**

Omcan would like to thank you for purchasing this machine. It's of the utmost importance to save these instructions for future reference. Also save the original box and packaging for shipping the equipment if servicing or returning of the machine is required.

---

Omcan Fabrication et distribution Compañie Limité et Food Machinery d'Amérique, dba Omcan et Omcan Inc. ne sont pas responsables de tout dommage ou blessure causé du fait que toute personne ait utilisé cet équipement de façon irrégulière. Le produit ne doit être exploité que par quelqu'un de plus de 18 ans, saine d'esprit, et pas sous l'influence d'une drogue ou d'alcool, qui a été formé pour utiliser cette machine correctement, et est vêtu de vêtements de sécurité approprié. Toute modification de la machine annule toute garantie, et peut causer un préjudice à des personnes utilisant la machine ou des personnes à proximité de la machine pendant son fonctionnement.

## VÉRIFIEZ LE COLIS DÈS RÉCEPTION

Dès réception d'une expédition d'Omcan veuillez inspecter pour dommages externes. Si aucun dommage n'est visible sur l'emballage externe, ouvrez le carton afin de s'assurer que tous les éléments commandés sont dans la boîte, et il n'y a aucun dommage dissimulé à la machine. Si le colis n'a subi aucune mauvaises manipulations, de bosses ou de dommages (visible ou cachée), notez-le sur le bond de livraison avant d'accepter la livraison et contactez Omcan dans les 24 heures qui suivent, pour que nous puissions engager une réclamation auprès du transporteur. Un rapport détaillé sur l'étendue des dommages causés à la machine doit être rempli dans un délai de trois jours, à compter de la date de livraison indiquée dans les documents d'expédition. Omcan n'a aucun droit de recours pour les produits endommagés qui ont été expédiées ou cueilli par un tiers transporteur.

# ***General Information***

---

**Avant d'utiliser n'importe quel équipement, toujours lire et vous familiariser avec toutes les opérations et les consignes de sécurité.**

**Omcan voudrais vous remercier d'avoir choisi cette machine. Il est primordial de conserver ces instructions pour une référence ultérieure. Également conservez la boîte originale et l'emballage pour l'expédition de l'équipement si l'entretien ou le retour de la machine est nécessaire.**

---

**Omcan Empresa De Fabricacion Y Distribucion Inc. Y Maquinaria De Alimentos De America, Inc. dba Omcan y Omcan Inc. no son responsables de ningun daño o perjuicio causado por cualquier persona inadecuada o el uso descuidado de este equipo. El producto solo podra ser operado por una persona mayor de 18 años, en su sano juicio y no bajo alguna influencia de droga o alcohol, y que este ha sido entrenado en el correcto funcionamiento de esta máquina, y ésta usando ropa apropiada y autorizada. Cualquier modificación a la máquina anula la garantía y puede causar daños a las personas usando la máquina mientras esta en el funcionamiento.**

## **REVISE EL PAQUETE A SU LLEGADA**

Tras la recepcion de un envio Omcan favor inspeccionar daños externos. Si no hay daños evidentes en el empaque exterior, Habra el carton para asegurarse que todos los articulos solicitados estén dentro de la caja y no encuentre daños ocultos en la máquina. Si el paquete ha sufrido un manejo de poco cuidado, golpes o daños (visible o oculto) por favor anote en la factura antes de aceptar la entrega y contacte Omcan dentro de las 24 horas, de modo que podamos iniciar una reclamación con la compañía. Un informe detallado sobre los daños causados a la máquina debe ser llenado en el plazo de tres días, desde la fecha de entrega que se muestra en los documentos de envío. Omcan no tiene ningun recurso por productos dañados que se enviaron a recoger por terceros.

**Antes de utilizar cualquier equipo, siempre lea y familiarizarse con todas las instrucciones de funcionamiento y seguridad.**

**Omcan le gustaría darle las gracias por la compra de esta máquina. Es de la mayor importancia para salvar estas instrucciones para futuras consultas. Además, guarda la caja original y el embalaje para el envío del equipo si servicio técnico o devolución de la máquina que se requiere.**

# ***Safety and Warranty***

---

## **LIMITS OF USE – SAFETY NORMS**

These machine were designed and built to slice foodstuff in compliance to the norms of the CE 2006/95/EEC, 93/68/EEC, 2006/42/EEC, 2002/72/EEC, 2004/108 CE, REG 1935/2004/EEC, 2002/95/CE (RoHS) and to the following regulations EN1974, EN ISO12100-1, EN ISO12100-2, EN 294, EN60204-1, EN60335-1, EN60335-2-64.

# *Safety and Warranty*

---

## **GENERAL SAFETY REGULATIONS**

The slicers must be used only by suitably trained personnel. Furthermore, this personnel must have read this manual carefully. In particular, please comply to the following instructions:

- Install the machine according to the instructions contained in the “installation” section.
- Do not modify nor exclude the mechanical and electrical safety devices.
- Do not use the machine with improvised connections, or provisional or non insulated cables.
- Check the power cable and gland plate on the machine body regularly and when necessary have them replaced by qualified personnel.
- In case of anomalies, defective operation, incorrect movement, unusual noise, etc stop the machine immediately.
- Before cleaning or servicing, disconnect the machine from the mains.
- Always use scratch-proof and non-slip gloves during cleaning or maintenance.
- Lay or remove the goods to be sliced on the sliding plate only when the latter is completely pushed back and the thickness control knob positioned to 0.
- To move the carriage tray when slicing, use the handle or the product grip handle.
- For extraordinary maintenance (to replace the sharpener wheels, the blade, or others) please contact the manufacturer or qualified and duly authorized personnel.
- Avoid running the slicers with no product on it.
- The slicers are equipped with a ventilated motor. Extended continual use is not recommended. Let the motor cool down after 30 minutes of use.

## **MANUFACTURER’S WARRANTY AND LIABILITY**

The manufacturer’s warranty covering the good functioning of the machines and their compliance to the service for which they have been designed depends on the correct application of the instructions contained in this manual. The Manufacturer assumes no liability either direct or indirect deriving from:

- Failure to comply with the instructions contained in this manual.
- Use of the machine by personnel who has not read or fully understood the content of this manual.
- Use not complying to the specific norms currently applicable in the country of installation.
- Unauthorized modifications and/or repairs.
- Use of non original accessories or spare parts.
- Exceptional events.

## **ENVIRONMENTAL CONDITIONS OF USE**

Temperature: from -5°C and 40°C / 23°F and 104°F.  
Relative humidity: max 95%.

## **OPENING THE BOX**

On reception check packaging integrity, otherwise inform the forwarding agent or the area agent immediately. To unpack the machine, proceed as follows:

- Open the box and remove your copy of the manual of use and maintenance, then proceed according to the

# ***Safety and Warranty***

---

instructions found on that manual.

- Lift the machine still wrapped in a transparent polyethylene sheet and extract it from the box.
- Now check the box content and make sure it corresponds to what shown on the external label.

**RESIDENTIAL USERS: vendor assumes no liability for parts or labor coverage for component failure or other damages resulting from installation in non-commercial or residential applications. The right is reserved to deny shipment for residential usage; if this occurs, you will be notified as soon as possible.**

## **1 YEAR PARTS AND LABOUR BENCH WARRANTY**

Within the warranty period, contact Omcan Inc. at 1-800-465-0234 to schedule a drop off to either an Omcan authorized service depot in the area, or to an Omcan Service warehouse to repair the equipment.

**Unauthorized maintenance will void the warranty. Warranty covers electrical and part failures, not improper use.**

Please see <https://omcan.com/disclaimer> for complete info.

### **WARNING:**

The packaging components (cardboard, polyethylene, and others) are classified as normal solid urban waste and can therefore be disposed of without difficulty.

**In any case, for suitable recycling, we suggest disposing of the products separately (differentiated waste) according to the current norms.**

**DO NOT DISCARD ANY PACKAGING MATERIALS IN THE ENVIRONMENT!**

# ***Technical Specifications***

---

The machine is essentially made of a base supporting a circular blade mounted in a tilted position. This blade is driven by an electrical motor to slice foodstuffs. The machine is equipped with a carriage holding a product tray and sliding on a bar mounted under the base top, parallel to the blade. Slice thickness is adjusted by means of a gauge plate mounted in front of the blade. This plate, against which rests the product to be sliced is moved transversely with respect to the blade by a value corresponding to the desired slice thickness. The product is fed to the machine (towards the gauge plate) by gravity. All the machine components are made of polished and anodically oxidized aluminium alloy, of stainless steel and food grade plastic material. The blade is driven by an electrical motor, transmission is by means of a longitudinally grooved belt. The machine is started and stopped by a control button or switch provided with auxiliary circuit preventing accidental restarts after an outage. Some of the machine models have a user-friendly and safe built-in blade sharpener.

# Technical Specifications

---

## MECHANICAL AND ELECTRICAL SAFETY DEVICES

The following mechanical safety devices were installed:

- A series of aluminium and transparent plastic guards on the product carriage.

On request the following are available:

- Safety micro-switch preventing the motor from starting when the blade guard is removed.

## WARNING: RESIDUAL RISKS

Notwithstanding all the possible cautions taken during the design and the construction of the machine, residual risks (cutting) still exist during use or during cleaning or maintenance. Therefore be careful and **PAY THE UTMOST ATTENTION** to what you are doing. **DO NOT** use the machine if you are not in perfect psychological and physical conditions. **DO NOT ALLOW** anyone near the machine when it is in use. **ALWAYS** wear gloves that can resist cuts or tears when cleaning, lubricating or sharpening the blade. Slice only the products mentioned as sliceable. **NEVER** try to slice products that have been mentioned as non sliceable.

## ACCESSORIES

If not otherwise defined at the moment of order, the machines are supplied together with the following:

- EU conformity declaration.
- Instructions manual for installation, use and maintenance.

## PRODUCTS THAT CAN BE SLICED

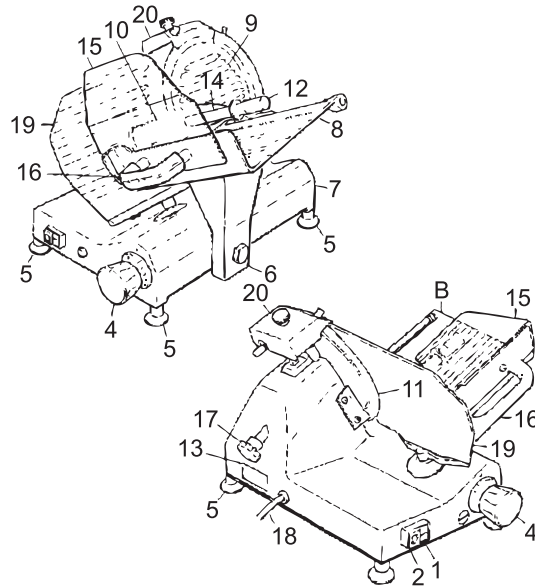
- All types of cold cuts (raw, cooked, smoked).
- Meat without bone (raw or cooked, at a temperature not less than + 3°C).
- Vegetables (all types).

## PRODUCTS THAT MUST NOT BE SLICED:

- Frozen or deep-frozen food.
- Food containing bones (meat or fish).
- Any other non-food product.
- Cheese.

# Technical Specifications

## MAIN COMPONENTS



1. Startup button (white or green).	2. Stop button (black or red).	3. N.A.	4. Slice thickness control knob.
5. Adjustable foot.	6. Carriage tray support.	7. Base.	8. Product tray.
9. Blade plate.	10. Product grip.	11. Blade.	12. Product grip handle.
13. Manufacturer identification plate, machine data and UE marks.	14. Pusher plate extension.	15. Product tray hand protection.	16. Product tray handle.
17. Blade plate tie-rod.	18. Supply cord.	19. Gauge plate.	20. Sharpener.

*Illustrations may differ from actual machines.*



# Technical Specifications

Model	MS-IT-0220-C	MS-IT-0250-C	MS-IT-0300-C
Blade Size	8.7" / 220mm	9.8" / 250mm	11.8" / 300mm
Cut Thickness	0 - 15mm	0 - 16mm	
Cutting Size	8.3" x 6.1" 210 x 154mm	8.7" x 7.3" 220 x 184mm	10.2" x 8.4" 260 x 214mm
Power	0.25 HP / 0.19 kW	0.3 HP / 0.22 kW	0.35 HP / 0.26 kW
RPM	300		
Electrical	110-120V / 60Hz / 1		
Weight	29.5 lbs. / 13.4 kgs.	33.1 lbs. / 15 kgs.	50 lbs. / 22.7 kgs.
Dimensions	22.8" x 16" x 13.4" 580 x 406 x 340mm	24.4" x 16.8" x 14.6" 620 x 426 x 370mm	25.6" x 19.5" x 17.3" 650 x 495 x 440mm
Packaging Weight	35.1 lbs. / 15.9 kgs.	39.7 lbs. / 18 kgs.	63.1 lbs. / 28.6 kgs.
Packaging Dimensions	20" x 19" x 16" 508 x 483 x 406mm	21" x 18" x 18" 533 x 457 x 457mm	25" x 21" x 20" 635 x 533 x 508mm
Item Number	31342	31343	31344

## Installation

### INSTALLING THE MACHINE

Position the machine on a well leveled, smooth and dry top suitably dimensioned to withstand the machine weight.

### ELECTRICAL CONNECTION

Install the machine near a compliant outlet derived from a system meeting the local norms.

**The user is responsible for** ascertaining that the electrical system is suitably dimensioned and functions correctly (supply line, outlet, distribution panel, differential protecting breaker, grounding).

**Before carrying out the connection** ascertain that the mains characteristics correspondent to those indicated on the machine plate.

### COMMANDS

#### START AND STOP BUTTONS / SWITCHES

- Turn switch or press the white or green button (1) to start running the blade.
- The light turns on to indicate that the machine works correctly.

# Installation

---

- Turn switch or press the red or black button to stop the blade.

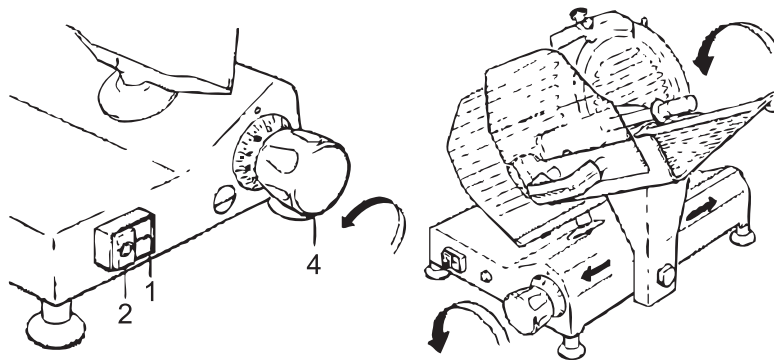
Slice thickness can be adjusted by turning the graduated knob (4) counterclockwise.

**Thickness adjustment range:** see paragraph “technical description and conditions of use”.

## FUNCTIONING TEST AND BLADE ROTATION DIRECTION

Start the machine and check whether the light is on; make sure that the blade rotates in the direction indicated by the arrow (counterclockwise if you look at the machine from the blade plate side).

- Ascertain that the carriage and the product grip slide correctly.
- Ascertain that the gauge plate works and adjust thickness to desired value.



# Operation

---

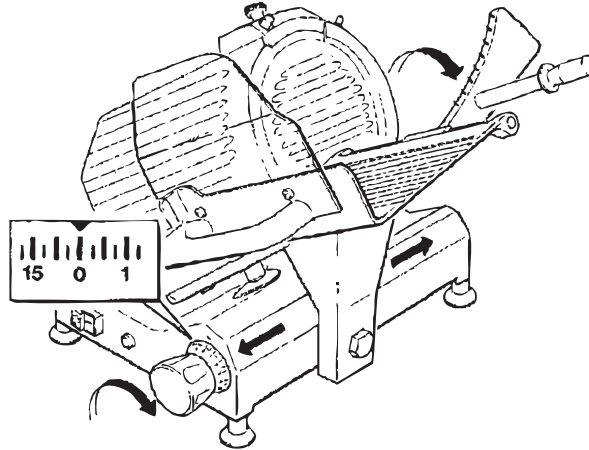
## USING THE MACHINE

### LOADING THE PRODUCT ON THE TRAY AND SLICING

- Ascertain that the thickness control knob is correctly positioned to '0'.
- Draw back the carriage completely (towards the operator) to loading position.
- Lift the product grip by pulling it away by 10 cm from the blade and put it in rest position.
- Lay the product to be sliced against the guide plate on the operator side.
- Secure by means of the product grip by exerting a slight pressure.
- Adjust the thickness gauge. Start the blade by turning the switch or by pressing on the white or green button.
- Grip the handle affixed onto the plate and start the forward and backward cutting movement. The product travels towards the guide plate by gravity.
- When the product weight or its dimensions do not provide a satisfactory cut by effect of the gravity, use the product grip handle.
- When finished, return the thickness control knob to '0' and draw the carriage back.

# Operation

- Stop the blade by pressing the black or red button.



# Maintenance

## CLEANING THE SLICER

### GENERAL

The machine must always be accurately cleaned **at least once a day**, and more often if necessary. **Always use protective gloves.**

### DISASSEMBLING THE MACHINE FOR CLEANING

- Disconnect the plug from the mains.
- Turn the gauge plate knob to '0'.
- Remove the various components as described in the following paragraphs.
- Unscrew (counterclockwise) the blade guard tie-rod.
- If the blade guard is blocked, press on the rod knob to move it a little.
- Extract the rod and remove the blade guard using for this operation only the side knobs.
- Loosen and remove the two fixing screws with knurled head.
- Remove the slice guard.

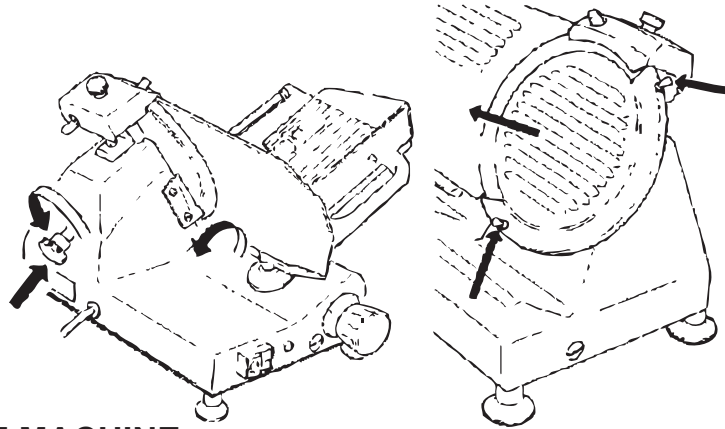
**To clean the machine body and the blade use only a cloth damped with water and biodegradable lathery detergent having 7-8 pH and at a temperature not below 30°C/86°F. Do not clean the machine by using water or vapor sprays or similar systems.**

### WARNING:

**Use scratch-proof and non-slip gloves to carry out the following operations. Proceed carefully and pay attention to what you are doing. DANGER OF CUTTING!**

# Maintenance

---



## REASSEMBLING THE MACHINE

Proceed as indicated for the previous operations but in reverse order.

## GENERAL MAINTENANCE

The operator is allowed to perform the following maintenance operations:

- **Blade sharpening:** regularly (intervals and duration obviously depend on the use of the machine, time of use and type of product sliced).
- **Lubrication of carriage sliding guides:** once a week.
- **Lubrication of product grip sliding bar:** once a week.
- **Adjustment of motor belt tension:** as required.
- **Checking the power supply cord conditions and of the gland plate:** from time to time.

## WARNING

Maintenance must always be carried out when the **machine is disconnected from the mains** and if no other position is specifically required, with the thickness control knob on '0'.

The following maintenance operations are to be entrusted only to **personnel authorized by the manufacturer:**

- Replacing the blade.
- Replacing the sharpener stones.
- Replacing the motor transmission belt.
- Replacing electrical system components under the machine base.
- Repairing structural parts, repairing the components under the base.

## BLADE SHARPENING

Before proceeding, clean the machine accurately as explained in the previous paragraphs.

## WARNING

Sharpening can be done only up to 12 mm of the blade diameter value. **Beyond this value, the BLADE MUST BE REPLACED ONLY by personnel AUTHORIZED BY THE MANUFACTURER.**

## SHARPENING VERSIONS WITH BUILT-IN SHARPENER

To sharpen the blade periodically as soon as the cutting capacity decreases. Please proceed as per the following instructions:

1. After disconnecting from the mains, clean the blade accurately using denaturized alcohol to degrease it.
2. Loosen the knob and turn the sharpener by 180° and insert the wheels on the slicer blade. Relock the knob.
3. Operate the switch and press the button.
4. Allow the blade to rotate for about 30 to 40 seconds then use the switch to stop it. Brush a pencil lightly on the external side of the blade to check for a slight spud.

**We advise performing this operation with the utmost care as the blade is extremely sharp.**

5. If some spud is found, operate the switch again for 3 to 4 seconds by pressing the buttons 4 and 5 at the same time.

**DO NOT PROLONG THIS OPERATION BEYOND THE FEW SECONDS MENTIONED OTHERWISE THE BLADE EDGE WILL WARP.**

6. After completing sharpening, we advise cleaning the wheels using a small brush and alcohol.
7. Now return the sharpener to its original position.

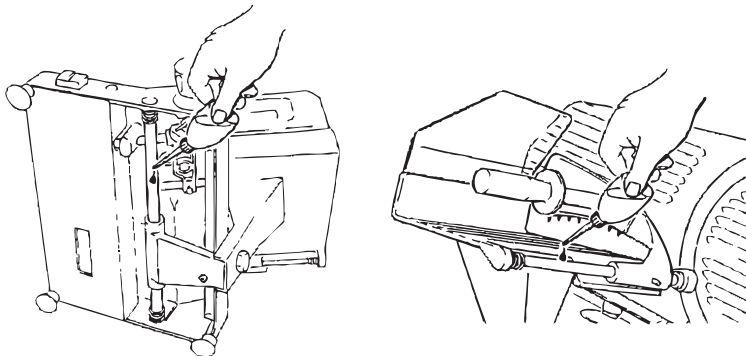
## LUBRICATION

**Carriage sliding guides product grip (once a week)**

*Use only food grade mineral oil, or use white Vaseline oil. DO NOT USE VEGETABLE OILS.*

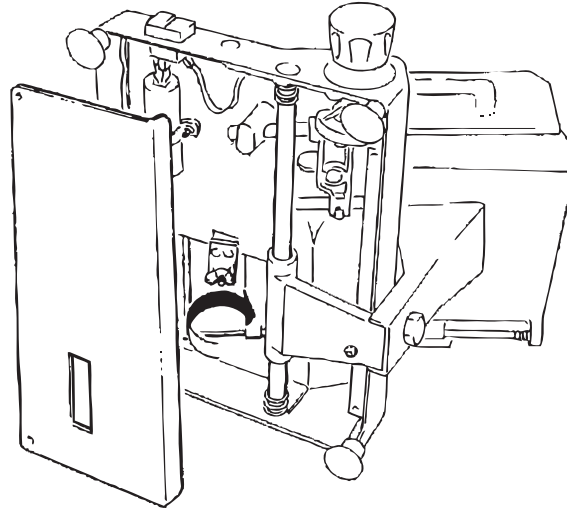
- Spread a small quantity of oil on the bar and move the assembly 3 or 4 times.  
Clean as required to remove excess of oil.

## ADJUSTING THE MOTOR BELT TENSION



# Maintenance

After a given period of service an unusual noise may occur because of the belt bedding. In this case, tighten the belt-stretcher on the side of the motor under the machine base.



# Troubleshooting

The table below indicates the most common problems that may arise during slicing and the necessary remedies.

PROBLEM	POSSIBLE CAUSE	REMEDY
The machine does not start when the white or green button is pressed.	No power supply.	Ascertain that the plug is correctly inserted.
	The blade guard is not correctly positioned.	Check.
	Defective electrical control circuit.	Call technical assistance.
When the switch is turned or when the white or green button is pressed, the machine starts, but the white functioning light is not on.	Defective indicator.	Do not use the machine when the pilot lamp is not on; call technical assistance.
The machine starts, but there are vibrations. The motor is very hot and there is a bad smell.	Defective motor or transmission.	Do not use the machine, call technical assistance.
Under strain, the machine slows down or comes to a stop.	Defective transmission.	Call technical assistance.
Excessive resistance to product slicing.	The blade is blunt.	Sharpen the blade.

# Troubleshooting

The slices are ragged and/or shaped irregularly.	The blade is blunt.	Sharpen the blade.
	The blade is excessively worn out.	Call technical assistance.
Unsatisfactory blade sharpening.	Worn wheels.	Replace the wheels; call technical assistance.
The product tray does not slide.	Guides are insufficiently lubricated.	Lubricate.
When the switch is turned or when the black or red button is pressed, the machine does not stop.	Defective electrical control circuit.	Stop the machine, unplug from mains and call technical assistance.

## DISMANTLING THE SLICER

These machines are made of the following elements:

- Aluminium frame.
- Stainless steel fittings and others.
- Electrical parts and cords.
- Electrical motor.
- Plastic materials, etc.

Whether dismantling is entrusted to third parties or done in-house (in that last case you will have to separate the various materials) please note that disposal of the materials can only be carried out by duly authorized businesses. In any case, please comply to the current norms of your country.

## WARNING

**In any case, to remove the blade and dispose of it, you must contact the manufacturer or personnel duly authorized by the manufacturer. NEVER DISPOSE OF WASTE IN AREAS WHERE ACCESS IS NOT DELIMITED BY BARRIERS AND FORBIDDEN BY WARNING SIGNS AS THIS WASTE REPRESENTS A SERIOUS DANGER, ESPECIALLY FOR CHILDREN AND ANIMALS. ANY RESPONSIBILITY ARISING OUT OF INCORRECT DISPOSAL FALLS ON THE OWNER.**

# Instructions Français

## SÉCURITÉ ET GARANTIE

### LIMITES D'UTILISATION - NORMES DE SÉCURITÉ

Les machines ont été conçu et construit pour trancher des produits alimentaires en conformité aux normes de la CE 2006/95 / CEE, 93/68 / CEE, 2006/42 / CEE, 2002/72 / CEE, 2004/108 CE, REG 1935/2004 / CEE, 2002/95 / CE (RoHS) et les règlements suivants EN1974, EN ISO12100-1, EN ISO12100-2, EN 294, EN 60204-1, EN60335-1, EN60335-2-64.

# Instructions Français

---

## RÈGLES DE SÉCURITÉ

Les tranches doivent être utilisées que par un personnel qualifié. En outre, ce personnel doit avoir lu attentivement ce manuel. En particulier, s'il vous plaît respecter les instructions suivantes:

- Installez la machine selon les instructions contenues dans la section «installation».
- Ne pas modifier ni exclure les dispositifs de sécurité mécaniques et électriques.
- Ne pas utiliser la machine avec des connexions électriques, câbles provisoires ou non isolés.
- Vérifiez le câble d'alimentation et la plaque de la glande sur le corps de la machine régulièrement et si nécessaire de les remplacer par du personnel qualifié.
- En cas d'anomalies, d'un fonctionnement défectueux, mouvement incorrecte, un bruit inhabituel, etc arrêter immédiatement la machine.
- Avant le nettoyage ou d'entretien, débranchez l'appareil du secteur.
- Toujours utiliser des gants anti-rayures et anti-dérapantes lors du nettoyage ou de la maintenance.
- Laïques ou supprimer les produits à trancher sur la plaque coulissante seulement lorsque celui-ci est complètement repoussé et le bouton de contrôle de l'épaisseur positionné à 0.
- Pour déplacer le plateau du chariot lors du tranchage, utilisez la poignée ou la poignée de préhension du produit.
- Pour l'entretien extraordinaire (remplacement des meules d'affûtage, la lame, ou autres) s'il vous plaît contacter le fabricant ou du personnel qualifié et dûment autorisés.
- Évitez de faire fonctionner les tranches sans produit sur elle.
- Les tranches sont équipées d'un moteur ventilé. Utilisation continue prolongée est déconseillée. Laissez refroidir le moteur après 30 minutes d'utilisation.

## GARANTIE ET RESPONSABILITÉ DU FABRICANT

La garantie du fabricant couvrant le bon fonctionnement des machines et de leur conformité au service pour lequel ils ont été conçus dépend de l'application correcte des instructions contenues dans ce manuel. Le fabricant décline toute responsabilité directe ou indirecte découlant de:

- Défaut de se conformer aux instructions contenues dans ce manuel.
- L'utilisation de la machine par du personnel qui n'a pas lu ou bien compris le contenu de ce manuel.
- Utilisez ne se conformant pas aux normes spécifiques en vigueur dans le pays d'installation.
- Modifications et / ou réparations non autorisées.
- L'utilisation d'accessoires non d'origine ou des pièces de rechange.
- Événements exceptionnels.

## CONDITIONS D'UTILISATION DE L'ENVIRONNEMENT

Température: de -5°C et 40°C / 23°F et 104°F.

Humidité relative: 95% max.

## OUVERTURE DE LA BOÎTE

A la réception contrôle d'intégrité de l'emballage, sinon informer le commissionnaire de transport ou de l'agent de zone immédiatement. Pour déballer la machine, procéder comme suit:



# Instructions Français

---

- Ouvrez la boîte et à retirer votre copie du manuel d'utilisation et d'entretien, puis procéder selon les indications contenues dans le manuel.
- Soulever la machine encore enveloppé dans une feuille de polyéthylène transparent et l'extraire de la boîte.
- Maintenant, vérifiez le contenu de la boîte et assurez-vous qu'il correspond à ce qui figure sur l'étiquette externe.

**UTILISATEURS RÉSIDENTIELS:** le fournisseur n'assume aucune responsabilité pour la couverture des pièces ou de la main-d'œuvre en cas de défaillance des composants ou d'autres dommages résultant de l'installation dans des applications non commerciales ou résidentielles. Le droit est réservé de refuser l'expédition pour un usage résidentiel; si cela se produit, vous en serez informé dès que possible.

## 1 AN PIÈCES ET TRAVAIL BANC GARANTIE

Dans la période de garantie, contacter Omcan Inc. au 1-800-465-0234 pour planifier une déposer soit un dépôt Omcan de service autorisé dans la zone, ou à un entrepôt de service Omcan de réparer l'équipement.

Entretien non autorisée annulera la garantie. La garantie couvre les pannes électriques et de pièces, pas une mauvaise utilisation.

S'il vous plaît voir <https://omcan.com/disclaimer> pour info complète.

### ATTENTION:

Les matériaux d'emballage (carton, de polyéthylène et autres) sont classés comme déchets solides urbains normale et peuvent donc être éliminés sans difficulté.

En tout cas, pour le recyclage approprié, nous suggérons au rebut des produits séparément (différenciée des déchets) selon les normes actuelles.

## NE PAS JETER MATÉRIAUX D'EMBALLAGE DANS L'ENVIRONNEMENT!

### SPÉCIFICATIONS TECHNIQUES

La machine se compose essentiellement d'une base supportant une lame circulaire montée en position inclinée. Cette lame est entraînée par un moteur électrique pour trancher des produits alimentaires. La machine est équipée d'un chariot tenant un plateau de produits et de coulissement sur une barre montée sous le plateau de base et parallèle à la lame. Tranche épaisseur est ajustée au moyen d'une plaque de réglage montée à l'avant de la lame. Cette plaque, contre laquelle repose le produit à trancher est déplacé transversalement par rapport à la lame d'une valeur correspondant à l'épaisseur de coupe souhaitée. Le produit est introduit dans la machine (vers la plaque de pression manométrique) par gravité. Tous les composants de la machine sont réalisées en alliage d'aluminium poli et anodisé, d'acier inoxydable et une

# Instructions Français

---

matière plastique de qualité alimentaire. La lame est entraînée par un moteur électrique, la transmission se fait par l'intermédiaire d'une courroie rainurée longitudinalement. La machine est lancée et arrêtée par un bouton de commande ou un interrupteur fourni avec circuit auxiliaire empêchant un redémarrage intempestif après une coupure de courant. Certains des modèles de machines ont un taille-crayon intégré de la lame et sûr conviviale.

## DISPOSITIFS SÉCURITÉ ÉLECTRIQUE ET MÉCANIQUE

**Les dispositifs de sécurité mécaniques suivants ont été installés:**

- Une série de gardes de plastique transparent et aluminium sur le chariot de produit.

**Sur demande, l'suivantes sont disponibles:**

- Microcontact de sécurité empêchant le moteur de démarrer lorsque le protège-lame est retiré.

## AVERTISSEMENT: RISQUES RESIDUELS

**Malgré toutes les précautions possibles prises lors de la conception et de la construction de la machine, les risques résiduels (de coupe) existent encore en cours d'utilisation ou pendant le nettoyage ou l'entretien. Par conséquent être prudent et de payer la plus grande attention à ce que vous faites. NE PAS utiliser la machine si vous n'êtes pas dans des conditions psychologiques et physiques parfaits. Ne laissez personne près de la machine quand elle est en cours d'utilisation. TOUJOURS porter des gants qui peuvent résister à des coupures ou des larmes quand le nettoyage, la lubrification ou affûtage de la lame. Trancher uniquement les produits mentionnés comme tranchable. JAMAIS essayer de couper des produits qui ont été mentionnés comme non tranchable.**

## ACCESSOIRES

Si pas autrement définis au moment de la commande, les machines sont fournies avec les documents suivants:

- Déclaration de conformité de l'UE.
- Manuel d'instructions pour l'installation, l'utilisation et la maintenance.

## PRODUITS QUI PEUVENT ÊTRE TRANCHÉS

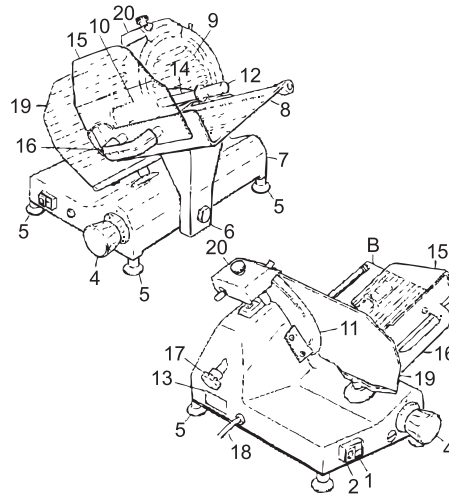
- Tous les types de charcuterie (crus, cuits, fumés).
- La viande sans os (crus ou cuits, à une température non inférieure à + 3°C).
- Légumes (tous types).

## PRODUITS QUI NE DOIT PAS ÊTRE TRANCHÉS:

- Les aliments congelés ou surgelés.
- Les aliments contenant des os (viande ou poisson).
- Tout produit non alimentaire autre.
- Du fromage.

# Instructions Français

## COMPOSANTS PRINCIPAUX



1. Bouton de démarrage (blanc ou vert).	2. Bouton d'arrêt (noir ou rouge).	3. N.A.	4. Slice contrôle de l'épaisseur knob.
5. Pied réglable.	6. Soutien chariot plateau.	7. Base.	8. Plateau de produit.
9. Plate lame.	10. Grip produit.	11. Lame.	12. Poignée de produit.
13. Plaque d'identification du fabricant, distributeur données et UE marques.	14. Pusher plaque de rallonge.	15. Produit plateau protection des mains.	16. Poignée du tiroir de produit.
17. Plate lame tie-rod.	18. Cordon d'alimentation.	19. Jauge plate.	20. Taille crayon.

*Les illustrations peuvent différer des machines réelles.*

# Instructions Français

Modèle	MS-IT-0220-C	MS-IT-0250-C	MS-IT-0300-C
Taille de la lame	8.7" / 220mm	9.8" / 250mm	11.8" / 300mm
Épaisseur de coupe	0 - 15mm	0 - 16mm	
Taille de coupe	8.3" x 6.1" 210 x 154mm	8.7" x 7.3" 220 x 184mm	10.2" x 8.4" 260 x 214mm
Pouvoir	0.25 HP / 0.19 kW	0.3 HP / 0.22 kW	0.35 HP / 0.26 kW
RPM	300		
Électrique	110-120V / 60Hz / 1		
Poids	29.5 lbs. / 13.4 kgs.	33.1 lbs. / 15 kgs.	50 lbs. / 22.7 kgs.
Dimensions	22.8" x 16" x 13.4" 580 x 406 x 340mm	24.4" x 16.8" x 14.6" 620 x 426 x 370mm	25.6" x 19.5" x 17.3" 650 x 495 x 440mm
Poids de l'emballage	35.1 lbs. / 15.9 kgs.	39.7 lbs. / 18 kgs.	63.1 lbs. / 28.6 kgs.
Dimensions de l'emballage	20" x 19" x 16" 508 x 483 x 406mm	21" x 18" x 18" 533 x 457 x 457mm	25" x 21" x 20" 635 x 533 x 508mm
Numéro d'article	31342	31343	31344

## INSTALLATION

### INSTALLATION DE LA MACHINE

Placez la machine sur un bien nivelé, supérieure lisse et sec convenablement dimensionnée pour supporter le poids de la machine.

### CONNEXION ÉLECTRIQUE

Installer la machine près d'une prise compatible dérivé d'un système répondant aux normes locales.

**L'utilisateur est responsable pour** déterminer que le système électrique est convenablement dimensionné et fonctionne correctement (ligne d'alimentation, de sortie, panneau de distribution, disjoncteur différentiel de protection, mise à la terre).

**Avant d'effectuer** le branchement vérifier que l'alimentation caractéristiques correspondant à celles indiquées sur la plaque de la machine.

## COMMANDES

### BOUTONS START ET STOP / COMMUTATEURS

- Tourner le commutateur ou appuyez sur le bouton blanc ou vert (1) pour commencer à courir la lame.
- La lumière allume pour indiquer que la machine fonctionne correctement.
- Tourner le commutateur ou appuyez sur le bouton rouge ou noir pour arrêter la lame.

# Instructions Français

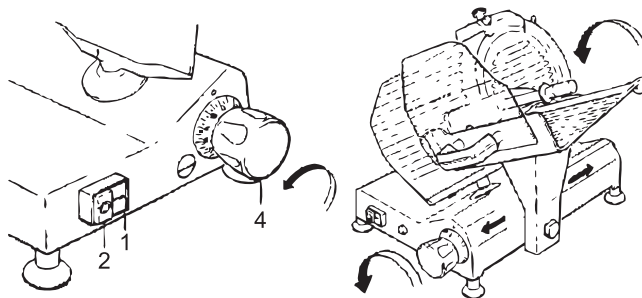
Slice épaisseur peut être ajustée en tournant le bouton gradué (4) dans le sens antihoraire.

**Plage de réglage Épaisseur:** voir le paragraphe «description et les conditions d'utilisation technique».

## ESSAI DE FONCTIONNEMENT ET LAME SENS DE ROTATION

Démarrer la machine et vérifier si la lumière est allumée; assurez-vous que la lame tourne dans le sens indiqué par la flèche (dans le sens antihoraire, si vous regardez la machine du côté de la plaque de la lame).

- Vérifier que le transport et la poignée de produits glissent correctement.
- Vérifier que la plaque de calibration fonctionne et ajuster l'épaisseur à la valeur souhaitée.



## OPÉRATION

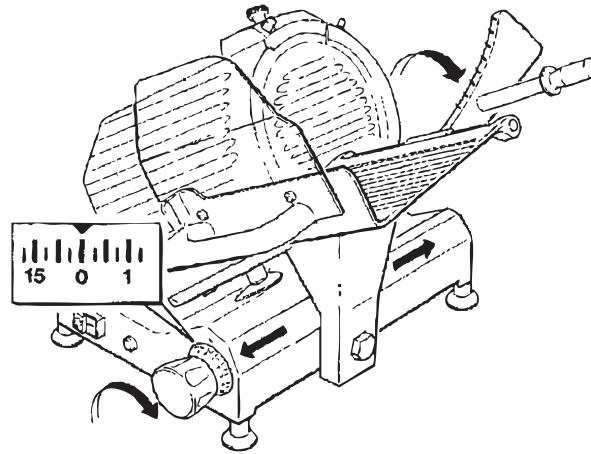
### UTILISATION DE LA MACHINE

#### CHARGEMENT DU PRODUIT SUR LE PLATEAU ET SLICING

- Vérifier que le bouton de commande de l'épaisseur est correctement positionné à '0'.
- Reculer le chariot (vers l'opérateur) à la position de chargement.
- Soulevez la poignée du produit en l'écartant de 10 cm à partir de la lame et le mettre en position de repos.
- Poser le produit à trancher sur la plaque de guidage sur le côté de l'opérateur.
- Fixer au moyen de la prise du produit en exerçant une légère pression.
- Ajuster la jauge d'épaisseur. Lancer la lame en tournant le bouton ou en appuyant sur le bouton blanc ou vert.
- Saisir la poignée fixée sur la plaque et commencer le mouvement de coupe vers l'avant et vers l'arrière. Le produit se déplace vers la plaque de guidage par gravité.
- Lorsque le poids du produit ou de ses dimensions ne fournissent pas une coupe satisfaisante par l'effet de la gravité, utilisez la poignée de préhension du produit.
- Lorsque vous avez terminé, ramener le bouton de contrôle de l'épaisseur à '0' et reculer le chariot.
- Arrêter la lame en appuyant sur le bouton noir ou rouge.

# Instructions Français

---



## ENTRETIEN

### NETTOYAGE DE LA COUPE

### GÉNÉRAL

La machine doit être soigneusement effectuée au moins une fois par jour, et plus souvent si nécessaire. Toujours utiliser des gants de protection.

### DÉMONTAGE DE LA MACHINE DE NETTOYAGE

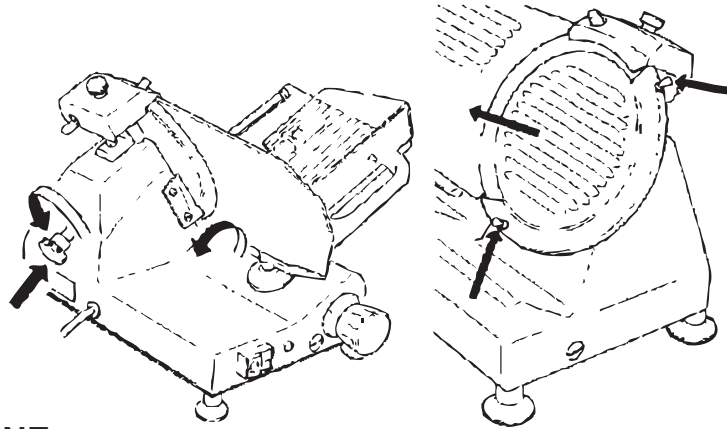
- Débrancher la fiche du secteur.
- Tourner la plaque de jauge savent à '0'.
- Retirez les différents composants tels que décrits dans les paragraphes suivants.
- Dévissez (dans le sens antihoraire) le protège-lame tirant.
- Si le protège-lame est bloquée, appuyez sur le bouton de la tige de se déplacer un peu.
- Extraire la tige et retirer la garde de lame à l'aide pour cette opération que les boutons latéraux.
- Desserrer et retirer les deux vis de fixation à tête moletée.
- Retirer la protection de la tranche.

**Pour nettoyer le corps de la machine et de l'utilisation de la lame uniquement un chiffon imbibé d'eau et de détergent biodégradable ayant lathery 7-8 pH et à une température pas inférieure à 30°C / 86°F. Ne pas nettoyer la machine à l'aide de jets d'eau ou de vapeur ou de systèmes similaires.**

### ATTENTION:

Utilisez anti-rayures et des gants antidérapants pour effectuer les opérations suivantes. Procédez avec précaution et faire attention à ce que vous faites. **DANGER DE COUPE!**

# Instructions Français



## REMONTÉ LA MACHINE

Procédez comme indiqué pour les opérations précédentes, mais dans l'ordre inverse.

## ENTRETIEN GÉNÉRAL

L'opérateur est autorisé à effectuer les opérations de maintenance suivantes:

- **Affûtage de lame:** régulièrement (intervalles et la durée dépend évidemment de l'utilisation de la machine, le temps d'utilisation et le type de produit en tranches).
- **Lubrification des guides de chariot:** une fois par semaine.
- **Lubrification d'adhérence du produit barre coulissante:** une fois par semaine.
- **Réglage de tension de la courroie moteur:** lorsque nécessaire.
- **Vérification des conditions de la moelle de l'alimentation et de la plaque glande:** de temps en temps.

## ATTENTION

L'entretien doit toujours être effectué lorsque la machine est déconnectée du réseau et si aucun autre poste est spécifiquement requise, avec le bouton de contrôle de l'épaisseur sur '0'.

Les opérations de maintenance suivantes doivent être confiés qu'à du personnel autorisé par le fabricant:

- Remplacement de la lame.
- Remplacement des pierres de taille-crayon.
- Remplacement de la courroie de transmission de moteur.
- Remplacement de composants du système électrique sous la base de la machine.
- Réparation des pièces de structure, la réparation des composants sous la base.

## AFFÛTAGE

Avant de continuer, nettoyer la machine avec précision, comme expliqué dans les paragraphes précédents.

# Instructions Français

---

## ATTENTION

Affûtage peut se faire que jusqu'à 12 mm de la valeur du diamètre de la lame. **Au-delà de cette valeur, la lame doit être remplacé que par du personnel autorisé PAR LE FABRICANT.**

## AFFÛTAGE VERSIONS AVEC TAILLE-CRAYON INTÉGRÉ

Pour aiguiser la lame régulièrement dès que la capacité de coupe diminue. S'il vous plaît procéder selon les instructions suivantes:

1. Après avoir débranché former le réseau, nettoyer la lame en utilisant de l'alcool dénaturé pour la dégraisser.
2. Desserrez le bouton et tournez l'affûteur de 180° et insérer les roues sur la lame de trancheuse. Reverrouiller le bouton.
3. Actionner l'interrupteur et appuyez sur le bouton.
4. Laisser tourner la lame pendant environ 30 à 40 secondes puis utilisez l'interrupteur pour l'arrêter. Badigeonner légèrement un crayon sur le côté externe de la lame pour vérifier si une légère bavure.

**Nous vous recommandons d'effectuer cette opération avec le plus grand soin que la lame est extrêmement forte.**

5. Si certains de la bavure, actionner l'interrupteur à nouveau pendant 3 à 4 secondes en appuyant sur les boutons 4 et 5 dans le même temps.

**NE PROLONGEZ PAS CETTE OPERATION AU-DELÀ DES QUELQUES SECONDES MENTION CONTRAIRE LE BORD DE LAME SE DÉFORMERA.**

6. Après avoir effectué l'affûtage, nous vous conseillons de nettoyer les roues à l'aide d'une petite brosse et de l'alcool.
7. Maintenant, retournez l'affûteur à sa position initiale.

## LUBRIFICATION

### Carriage glissières produit poignée (une fois par semaine)

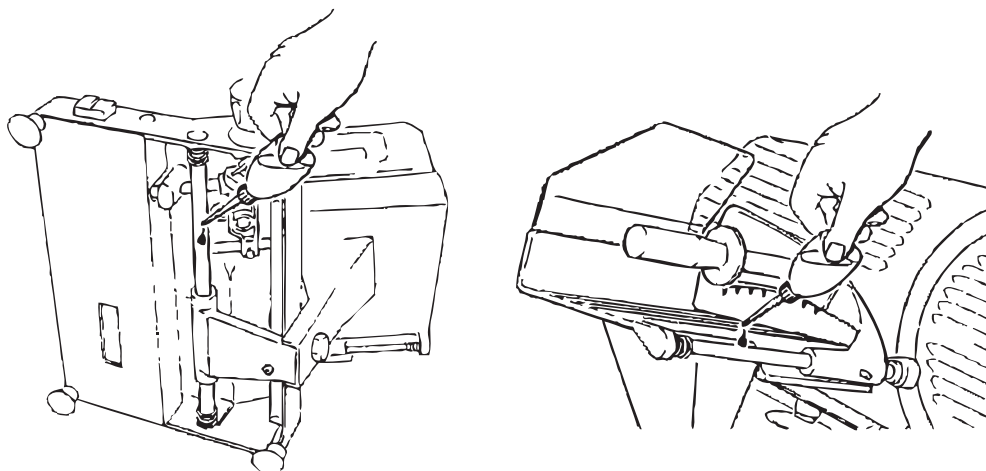
*Utilisez uniquement de l'huile minérale de qualité alimentaire, ou utiliser de l'huile blanche de vaseline. **NE PAS utiliser des huiles végétales.***

- Étendre une petite quantité d'huile sur la barre et déplacer l'ensemble 3 ou 4 fois. Nettoyer si nécessaire pour enlever l'excès d'huile.

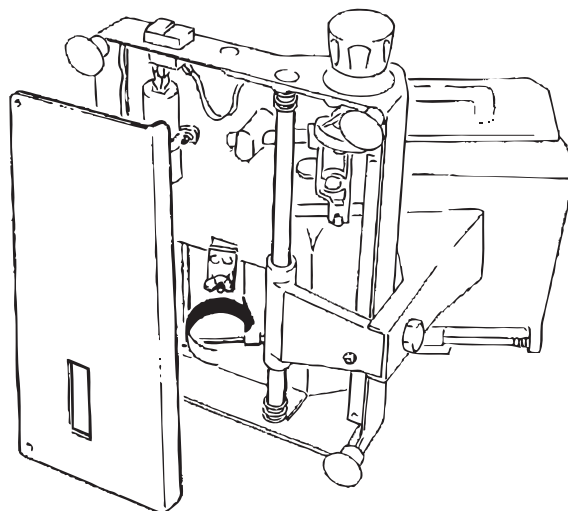


# Instructions Français

## AJUSTEMENT DE LA TENSION MOTEUR COURROIE



Après une période de service donné un bruit inhabituel peut se produire en raison de la literie de ceinture. Dans ce cas, serrer la ceinture-brancard sur le côté du moteur sous la base de la machine.



## DÉPANNAGE

Le tableau ci-dessous indique les problèmes les plus courants qui peuvent survenir au cours de tranchage et les mesures correctives nécessaires.

# Instructions Français

PROBLÈME	CAUSE POSSIBLE	REMÉDIER
La machine ne démarre pas lorsque le bouton blanc ou vert est enfoncé.	Pas d'alimentation.	Vérifier que la prise est correctement insérée.
	La garde de lame est pas correctement positionné.	Chèque.
	Circuit de commande électrique défectueux.	Appelez l'assistance technique.
Lorsque le commutateur est activé ou lorsque le bouton blanc ou vert est enfoncé, la machine démarre, mais la lumière de fonctionnement blanc est pas.	Indicateur défectueux.	Ne pas utiliser la machine lorsque la lampe pilote est pas; appelez l'assistance technique.
La machine démarre, mais il ya des vibrations. Le moteur est très chaud et il ya une mauvaise odeur.	Transmission ou moteur défectueux.	Ne pas utiliser la machine, appeler l'assistance technique.
Sous tension, la machine ralentit ou est à l'arrêt.	Transmission défectueuse.	Appelez l'assistance technique.
Une résistance excessive au produit tranchage.	La lame est émoussée.	Aiguiser la lame.
Les tranches sont en lambeaux et / ou de forme irrégulière.	La lame est émoussée.	Aiguiser la lame.
	La lame est trop usé.	Appelez l'assistance technique.
Insatisfaisant affûtage de la lame.	Roues usées.	Remplacer les roues; appeler l'assistance technique.
Le plateau du produit ne glisse pas.	Guides sont insuffisamment lubrifiés.	Lubrifier.
Lorsque le commutateur est activé ou lorsque le bouton noir ou rouge est enfoncé, la machine ne cesse pas.	Circuit de commande électrique défectueux.	Arrêtez la machine, débranchez le cordon secteur et appeler l'assistance technique.

## DEMANTELEMENT DE LA TRANCHEUSE

Ces appareils sont les éléments suivants:

- Armature en aluminium.
- Acier Les raccords en acier et autres.
- Pièces et cordons électriques.
- Moteur électrique.
- Les matières plastiques, etc.

Que démantèlement est confiée à des tiers ou fait en interne (dans ce dernier cas, vous aurez à séparer les différents matériaux) s'il vous plaît noter que l'élimination des matériaux ne peut être effectuée par des entreprises dûment autorisées. En tout cas, s'il vous plaît conformer aux normes en vigueur dans votre pays.

# *Instructions Français*

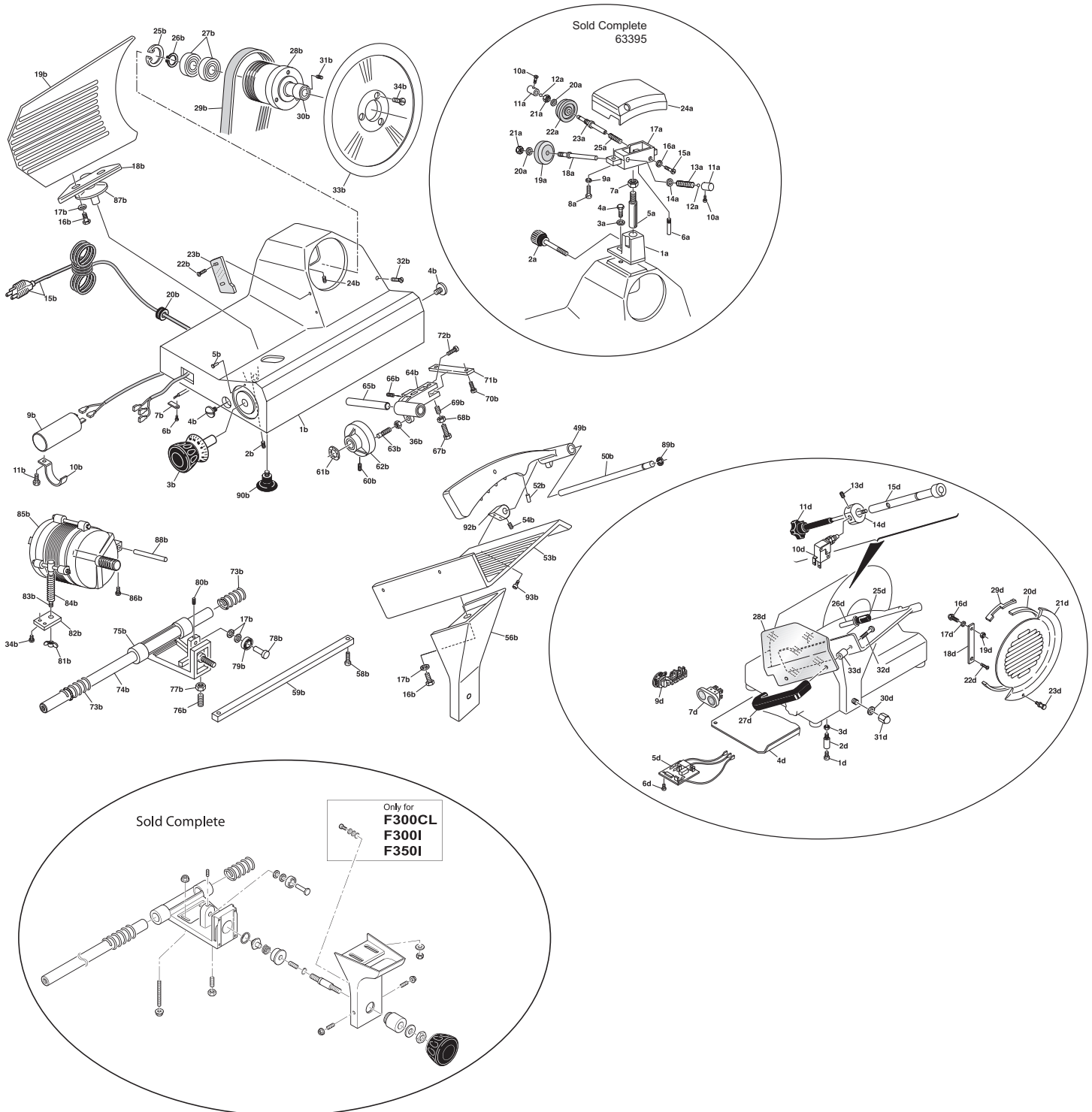
---

## **ATTENTION**

**En tout cas, pour enlever la lame et en disposer, vous devez contacter le fabricant ou le personnel dûment autorisés par le fabricant. Ne jetez jamais les déchets dans les zones où l'accès est PAS délimitée par les barrières et interdits par des panneaux d'avertissement ces déchets représente un grave danger, NOTAMMENT POUR ENFANTS ET DES ANIMAUX. AUCUNE RESPONSABILITÉ DÉCOULANT HORS DE élimination incorrecte tombe sur LE PROPRIÉTAIRE.**

# Parts Breakdown

Model MS-IT-0220-C 31342





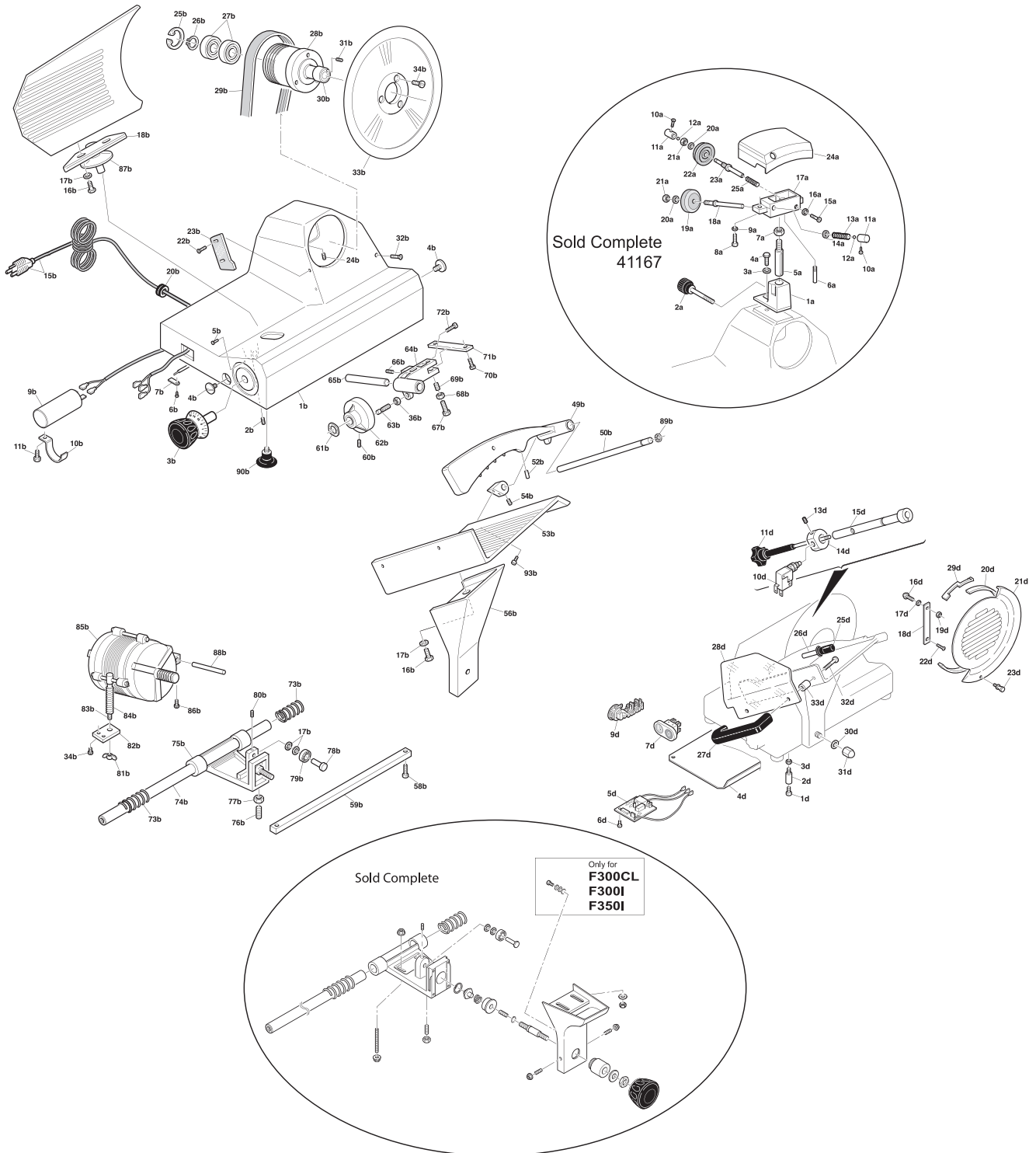
# Parts Breakdown

## Model MS-IT-0220-C 31342

Item No.	Description	Position	Item No.	Description	Position	Item No.	Description	Position
63275	Sharpener Base for 31342	A1	63291	Circlip for 31342	B25	63345	Motor Adjustment Bar for 31342	B83
63278	Thumb Screw for Sharpener for 31342	A2	63294	Circlip for 31342	B26	63348	Spring for Adjustment Bar for 31342	B84
63281	Washer for 31342	A3	63297	Pulley Bearing for 31342	B27	63351	Motor for 31342	B85
63284	Screw for 31342	A4	63300	Pulley for 31342	B28	63354	Screw for 31342	B86
63287	Sharpener Shaft for 31342	A5	63303	Belt for 31342	B29	63357	Ventosa for 31342	B87
63290	Screw for 31342	A6	63306	Shaft for 31342	B30	63360	Motor Pin for 31342	B88
63293	Nut for 31342	A7	63309	Screw for 31342	B31	63363	Circlip for 31342	B89
63296	Screw for 31342	A8	63312	Screw TC for 31342	B32	14933	Foot for 31342	B90
63299	Washer for 31342	A9	13585	Blade 40-3-180 for 31342	B33	63372	Pulley Assembly for 31342	B92
63302	Screw for 31342	A10	63318	Screw for 31342	B34	65279	Screw for 31342	D1
63305	Push Knob for Sharpener for 31342	A11	63323	Nut for 31342	B36	65280	Spacer for 31342	D2
63308	Ball Bearing for 31342	A12	63359	Meat Grip for 31342	B49	65281	Nut for 31342	D3
63311	Spring for 31342	A13	63362	Pin for 31342	B50	15022	Bottom Cover for 31342	D4
63314	Washer for 31342	A14	63368	Lock for 31342	B52	72320	Switch for 31342	D5
63317	Screw for 31342	A15	63371	Meat Plate for 31342	B53	65283	Screw for 31342	D6
63320	Washer for 31342	A16	63374	Screw for 31342	B54	65284	On/Off Switch for 31342	D7
63322	Sharpener Housing for 31342	A17	78683	Meat Plate Support for 31342	B56	65285	Terminal Block for 31342	D9
63325	Grinding Shaft for 31342	A18	63385	Screw for 31342	B58	63378	Micro Switch for 31342	D10
33914	G Stone 40x08x06 for 31342	A19	63388	Bar for 31342	B59	63380	Tie Rod for Micro Switch for 31342	D11
63331	Washer for 31342	A20	63391	Screw for 31342	B60	63383	Screw for 31342	D13
63334	Nut for 31342	A21	63394	Washer for 31342	B61	63386	Safety Switch Holder for 31342	D14
17212	F Stone 45x08x06 for 31342	A22	63277	Cam for 31342	B62	63389	Pivot Chuck for 31342	D15
63340	Honing Shaft for 31342	A23	63280	Cam Screw for 31342	B63	65286	Screw for 31342	D16
63343	Sharpener Cover for 31342	A24	63283	Cam Screw for 31342	B63	65287	Washer for 31342	D17
63346	Spring for 31342	A25	63286	Slide Support for 31342	B64	65288	Support Ring for 31342	D18
63349	Casing for 31342	B1	63289	Slide Support for 31342	B64	65289	Nut for 31342	D19
63352	Screw for 31342	B2	63292	Slide Pin for 31342	B65	65290	Ring for 31342	D20
14940	Index Knob for 31342	B3	63295	Screw TC for 31342	B66	65291	Blade Cover for 31342	D21
63358	Screw for 31342	B4	63298	Screw TC for 31342	B67	65292	Screw for 31342	D22
63361	Rivet for 31342	B5	63301	Nut for 31342	B68	79596	Blade Cover Knob for 31342	D23
63364	Screw for 31342	B6	63304	Screw Testa CACC for 31342	B69	78689	Meat Grip Handle for 31342	D25
63367	Plate for 31342	B7	63307	Screw for 31342	B70	78691	Meat Grip Rod for 31342	D26
63373	Capacitor for 31342	B9	63310	Plate for 31342	B71	79570	U-Handle for 31342	D27
63376	Clamp for 31342	B10	63313	Screw TC for 31342	B72	79571	Meat Tray Shield for 31342	D28
63379	Screw TC for 31342	B11	63316	Slide Bar Spring for 31342	B73	65293	Safety Ring Extension for 31342	D29
63381	Power Cord for 31342	B15	63319	Slide Bar for 31342	B74	65294	Nut for 31342	D30
63384	Screw TE for 31342	B16	78682	Carriage for 31342	B75	65295	Nut with Cap for 31342	D31
63387	Washer for 31342	B17	63324	Carriage Screw for 31342	B76	65296	Threaded Screw for 31342	D32
63390	Support for 31342	B18	63327	Carriage Nut for 31342	B77	65297	Spacer for 31342	D33
63393	Thickness Adj. Plate for 31342	B19	63330	Pin for 31342	B78	63392	Complete Meat Tray Assy. for 31342	
63276	Strain Relief for 31342	B20	63333	Bearing for 31342	B79	63395	Complete Sharpening Assy. for 31342	
63282	Deflector Screw for 31342	B22	63336	Screw for 31342	B80	AM730	Complete Plate Lock for 31342	
63285	Slice Deflector for 31342	B23	63339	Wing Nut for 31342	B81			
63288	Screw for 31342	B24	63342	Plate for 31342	B82			

# Parts Breakdown

Model MS-IT-0250-C 31343



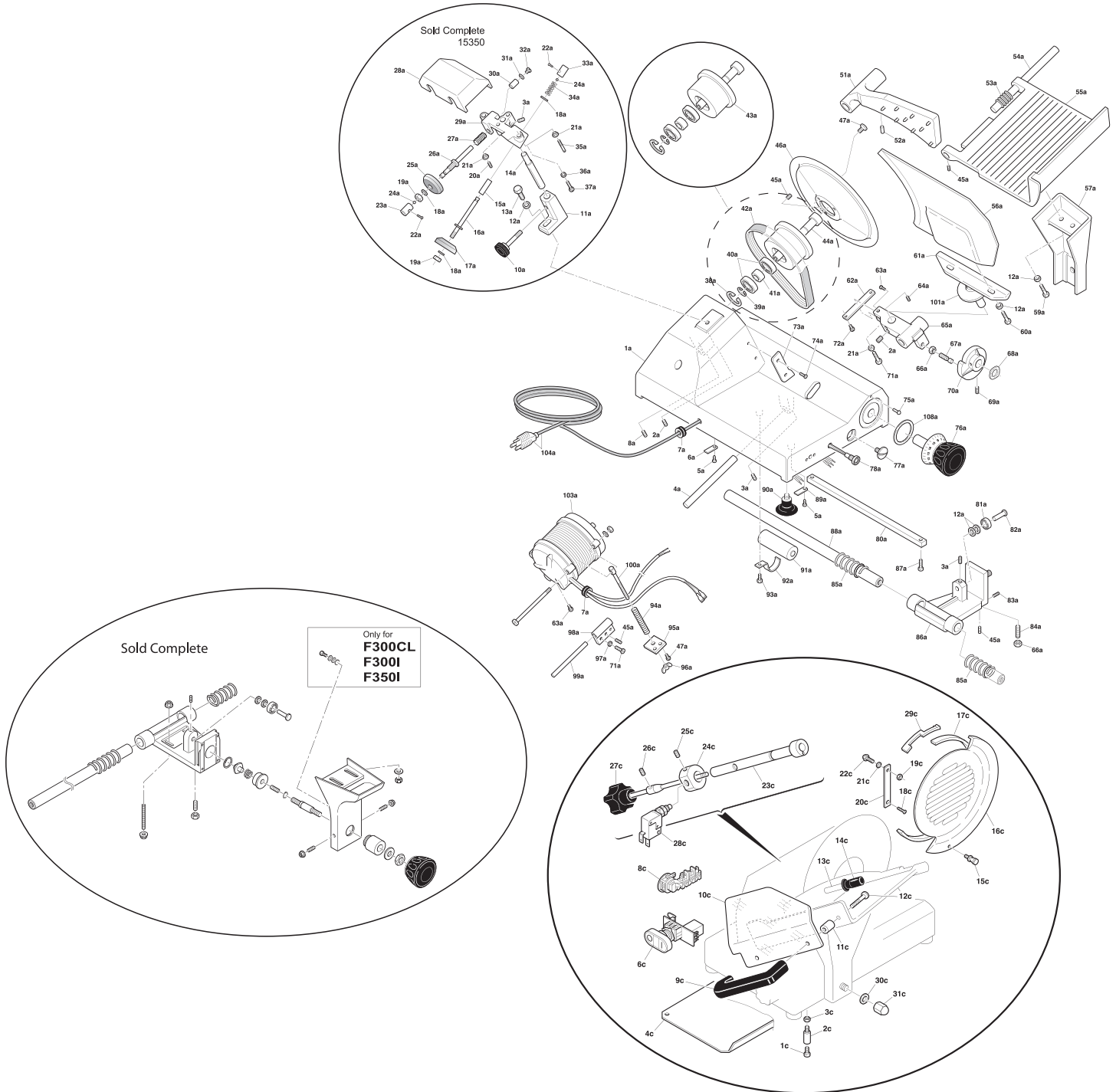
# Parts Breakdown

## Model MS-IT-0250-C 31343

Item No.	Description	Position	Item No.	Description	Position	Item No.	Description	Position
33968	Sharpener Base for 31343	A1	17687	Slice Deflector for 31343	B23	15135	Slide Bar Spring for 31343	B73
33969	Thumb Screw for Sharpener for 31343	A2	15099	Screw for 31343	B24	15136	Slide Bar for 31343	B74
33970	Washer for 31343	A3	33953	Circlip for 31343	B25	15137	Carriage for 31343	B75
33971	Screw for 31343	A4	33954	Circlip for 31343	B26	33966	Carriage Screw for 31343	B76
33972	Sharpener Shaft for 31343	A5	33955	Pulley Bearing for 31343	B27	15140	Carriage Nut for 31343	B77
33973	Screw for 31343	A6	33956	Pulley for 31343	B28	15141	Pin for 31343	B78
33974	Nut for 31343	A7	15100	Belt TB2310 1/8 8 Ribs for 31343	B29	14921	Bearing for 31343	B79
33975	Screw for 31343	A8	33957	Shaft for 31343	B30	15143	Screw for 31343	B80
33976	Washer for 31343	A9	33958	Screw for 31343	B31	15144	Wing Nut for 31343	B81
33977	Screw for 31343	A10	15101	Screw TC for 31343	B32	15145	Plate for 31343	B82
33978	Push Knob for Sharpener for 31343	A11	13586	Blade 40-3-210 for 31343	B33	15146	Motor Adjustment Bar for 31343	B83
33979	Ball Bearing for 31343	A12	15103	Screw for 31343	B34	15147	Spring for Adjustment Bar for 31343	B84
33980	Spring for 31343	A13	15105	Nut for 31343	B36	15148	Motor for 31343	B85
33981	Washer for 31343	A14	15106	Pin for 31343	B39	15149	Screw for 31343	B86
33982	Screw for 31343	A15	15107	Pin for 31343	B40	15150	Ventosa for 31343	B87
33983	Washer for 31343	A16	15108	Support for 31343	B41	15151	Motor Pin for 31343	B88
33984	Sharpener Housing for 31343	A17	15109	Spring for 31343	B42	15152	Circlip for 31343	B89
33985	Grinding Shaft for 31343	A18	15110	Spring for 31343	B43	14933	Foot for 31343	B90
33914	G Stone 40x08x06 for 31343	A19	15111	SM Push Button for 31343	B44	15154	Pulley Assembly for 31343	B93
33987	Washer for 31343	A20	15112	Screw for 31343	B45	64791	Screw for 31343	D1
33988	Nut for 31343	A21	15114	Meat Grip for 31343	B49	64792	Spacer for 31343	D2
17212	F Stone 45x08x06 for 31343	A22	15115	Pin for 31343	B50	64793	Nut for 31343	D3
33990	Honing Shaft for 31343	A23	15117	Lock for 31343	B52	25162	Bottom Cover for 31343	D4
33991	Sharpener Cover for 31343	A24	15118	Meat Plate for 31343	B53	64794	Circuit Board for 31343	D5
33992	Spring for 31343	A25	15119	Screw for 31343	B54	64795	Screw for 31343	D6
15082	Casing for 31343	B1	AG040	Aluminum Arm.X AFF. for 31343	B56	64796	On/Off Switch for 31343	D7
15083	Screw for 31343	B2	AG041	Bushing BP for 31343	B56	64797	Terminal Block for 31343	D9
14940	Index Knob for 31343	B3	15122	Screw for Support Bar for 31343	B58	18933	Micro Switch for 31343	D10
33951	Screw for 31343	B4	15123	Support Bar for 31343	B59	33993	Tie Rod for 31343	D11
15085	Rivet for 31343	B5	15124	Screw for 31343	B60	33994	Screw for 31343	D13
15086	Screw for 31343	B6	15125	Washer for 31343	B61	25163	Tie Rod Ring for 31343	D14
15087	Plate for 31343	B7	15126	Cam for 31343	B62	33996	Pivot Chuck for 31343	D15
15088	Capacitor 12.5UF 370-470V for 31343	B9	15127	Cam Screw for 31343	B63	64798	Screw for 31343	D16
15089	Clamp for 31343	B10	15019	Slide Support for 31343	B64	64799	Washer for 31343	D17
15090	Screw TC for 31343	B11	33965	Slide Pin for 31343	B65	64800	Support Ring for 31343	D18
14859	Power Cord for 31343	B15	15128	Screw TC for 31343	B66	64801	Nut for 31343	D19
15092	Screw TE for 31343	B16	15129	Screw TC for 31343	B67	64802	Ring for 31343	D20
15093	Washer for 31343	B17	15130	Nut for 31343	B68	14828	Blade Shield for 31343	D21
15094	Support for 31343	B18	15131	Screw Testa CACC for 31343	B69	41167	Complete Sharpening Assembly for 31343	
15095	Thickness Adj. Plate for 31343	B19	15132	Screw for 31343	B70	AM730	Complete Plate Lock for 31343	
15096	Strain Relief for 31343	B20	15133	Plate for 31343	B71			
15098	Deflector Screw for 31343	B22	15134	Screw TC for 31343	B72			

# Parts Breakdown

Model MS-IT-0300-C 31344







# Parts Breakdown

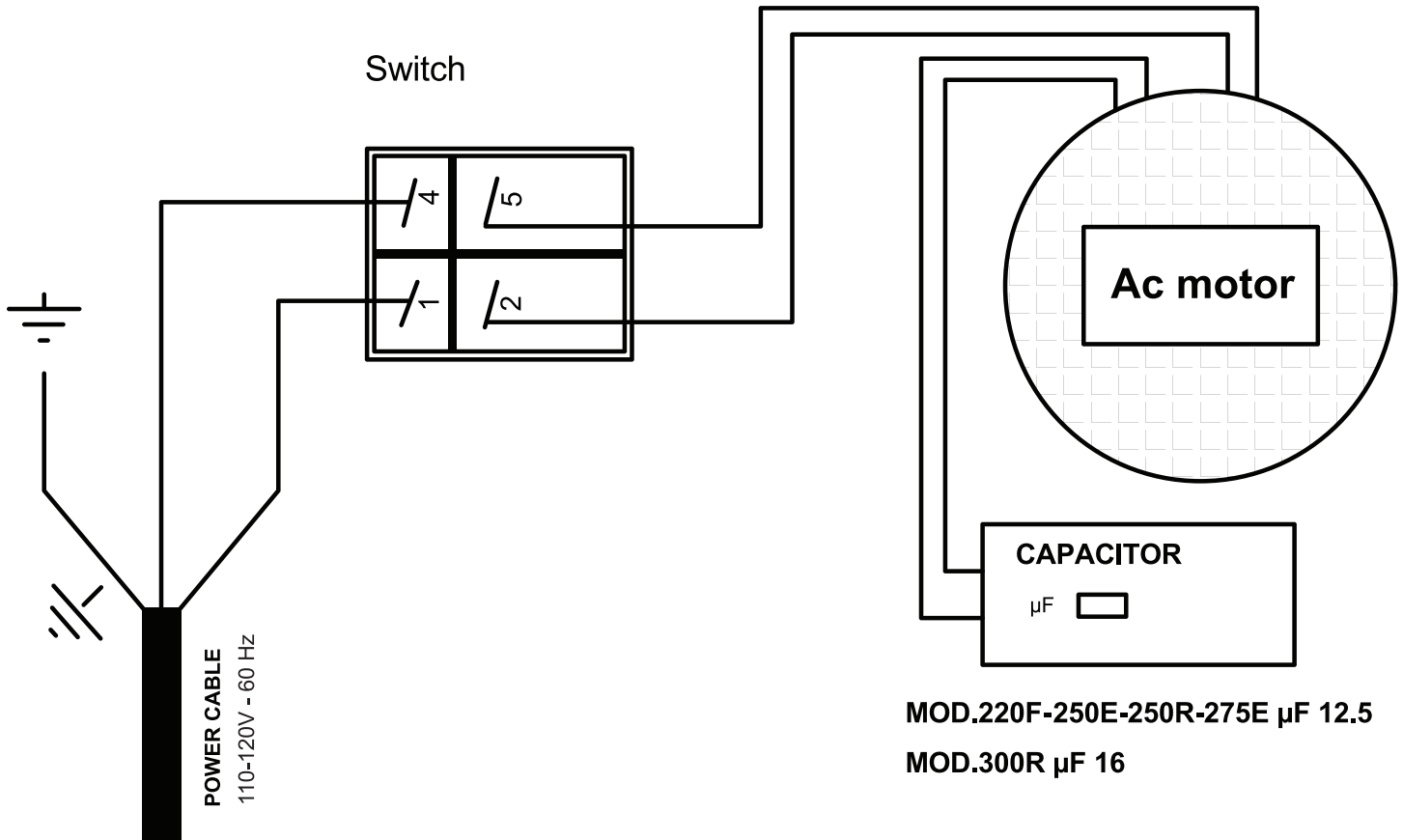
## Model MS-IT-0300-C 31344

Item No.	Description	Position	Item No.	Description	Position	Item No.	Description	Position
34359	Housing for 31344	A1	34401	Set Screw for 31344	A45	34427	Screw TC for 31344	A93
34360	Set Screw TC for 31344	A2	13594	Blade 40-3-250 (19) for 31344	A46	34428	Motor Spring for 31344	A94
34361	Set Screw TC for 31344	A3	15181	Screw TPSV for 31344	A47	34429	Motor Bracket for 31344	A95
34362	Guide Plate Pin for 31344	A4	15185	Meat Grip for 31344	A51	34430	Wing Nut for 31344	A96
34364	Tapping Screw for 31344	A5	34403	Plastic Dowel for 31344	A52	34432	Hinge for 31344	A98
34365	Stop Plate for 31344	A6	18937	Meat Tray Shaft Spring for 31344	A53	34433	Motor Support Shaft for 31344	A99
34366	Strain Relief for 31344	A7	18936	Meat Carriage Shaft for 31344	A54	34434	Motor Tie Rod for 31344	A100
34367	Set Screw TP for 31344	A8	15186	Meat Tray for 31344	A55	34249	Ventosa (Guide Plate Support Cover) for 31344	A101
34368	Sharpener Tie Rod for 31344	A10	17690	Guide Plate for 31344	A56	15078	Motor for 31344	A103
34369	Sharpener Support Bracket for 31344	A11	34405	Meat Tray Support for 31344	A57	14859	Power Cord for 31344	A104
34370	Washer for 31344	A12	34406	Screw TE for 31344	A59	36530	Index Knob Spacer for 31344	A108
34371	Screw TE for 31344	A13	34407	Screw TE for 31344	A60	64773	Screw for 31344	C1
34372	Shaft for Sharpener for 31344	A14	15188	Guide Plate Support for 31344	A61	64774	Spacer for 31344	C2
18934	Sharpener Pin Spacer for 31344	A15	34408	Cam Plate for 31344	A62	64775	Nut for 31344	C3
34373	Sharpener Pin for 31344	A16	34409	Screw TC for 31344	A63	25161	Bottom Cover for 31344	C4
33553	Finishing Stone for 31344	A17	34410	Set Screw TC for 31344	A64	39676	Switch - CE On / Off for 31344	C6
34375	Washer for 31344	A18	15189	Cam Guide for 31344	A65	64776	Terminal Block for 31344	C8
34376	Nut for 31344	A19	15190	Nut for 31344	A66	27964	Wrist Guard Handle for 31344	C9
34377	Set Screw for 31344	A20	34412	Cam Screw for 31344	A67	42756	Wrist Guard Plate for 31344	C10
34378	Nut for 31344	A21	34413	Washer for 31344	A68	64777	Spacer for 31344	C11
34379	Screw TGS for 31344	A22	34414	Set Screw for 31344	A69	64778	Screw for 31344	C12
34380	Sharpener Push Button for 31344	A23	15191	Cam for 31344	A70	44843	Meat Grip Rod for 31344	C13
34381	Ball Bearing for 31344	A24	34415	Screw TE for 31344	A71	64780	Meat Grip Handle for 31344	C14
33032	45x9x6 Sharpener Stone for 31344	A25	34416	Screw TC for 31344	A72	31383	Blade Cover Screw for 31344	C15
34383	Sharpener Pin for 31344	A26	15192	Meat Deflector for 31344	A73	64781	Blade Guard for 31344	C16
34384	Sharpener Pin Spring for 31344	A27	15193	Deflector Screw for 31344	A74	64782	Ring for 31344	C17
34385	Sharpener Cover for 31344	A28	34417	Copper Rivet for 31344	A75	64783	Screw for 31344	C18
34386	Sharpener Body for 31344	A29	15194	Index Knob for 31344	A76	64784	Nut for 31344	C19
34387	Sharpener Pin Spacer for 31344	A30	34418	Screw Chrome for 31344	A77	64785	Support Ring for 31344	C20
34388	Washer for 31344	A31	34419	Light for 31344	A78	64786	Washer for 31344	C21
34389	Screw TC for 31344	A32	19240	Carriage Rail for 31344	A80	64787	Screw for 31344	C22
34390	Sharpener Push Button for 31344	A33	30442	Bearing for 31344	A81	34437	Bearing Shaft for 31344	C23
34391	Sharpener Pin Spring for 31344	A34	34420	Bearing Pin for 31344	A82	25164	Tie Rod Ring for 31344	C24
34392	Stud Screw for 31344	A35	34421	Set Screw for 31344	A83	34438	Set Screw for 31344	C25
34393	Washer for 31344	A36	15196	Set Screw PVC for 31344	A84	34439	Set Screw for 31344	C26
34394	Screw TC for 31344	A37	19246	Slide Bar Spring for 31344	A85	34440	Tie Rod with Spring for 31344	C27
34395	Clip for 31344	A38	15197	Carriage Support for 31344	A86	34441	Micro Switch for 31344	C28
34397	Clip for 31344	A39	34422	Screw TC for 31344	A87	64788	Safety Ring Extension for 31344	C29
15178	Bearing for 31344	A40	34423	Carriage Slide Bar for 31344	A88	64789	Washer for 31344	C30
34399	Spacer for 31344	A41	34424	Stop Plate for 31344	A89	64790	Nut for 31344	C31
15179	Belt TB2-360 x 12 for 31344	A42	15073	Foot for 31344	A90	15350	Complete Sharpener Assembly for 31344	
15180	Spindle Pulley for 31344	A43	15198	Capacitor for 31344	A91	AM732	Complete Plate Lock for 31344	
34400	Bearing Shaft for 31344	A44	34426	Capacitor Bracket for 31344	A92			

# Electrical Schematics

**Model MS-IT-0220-C** 31342

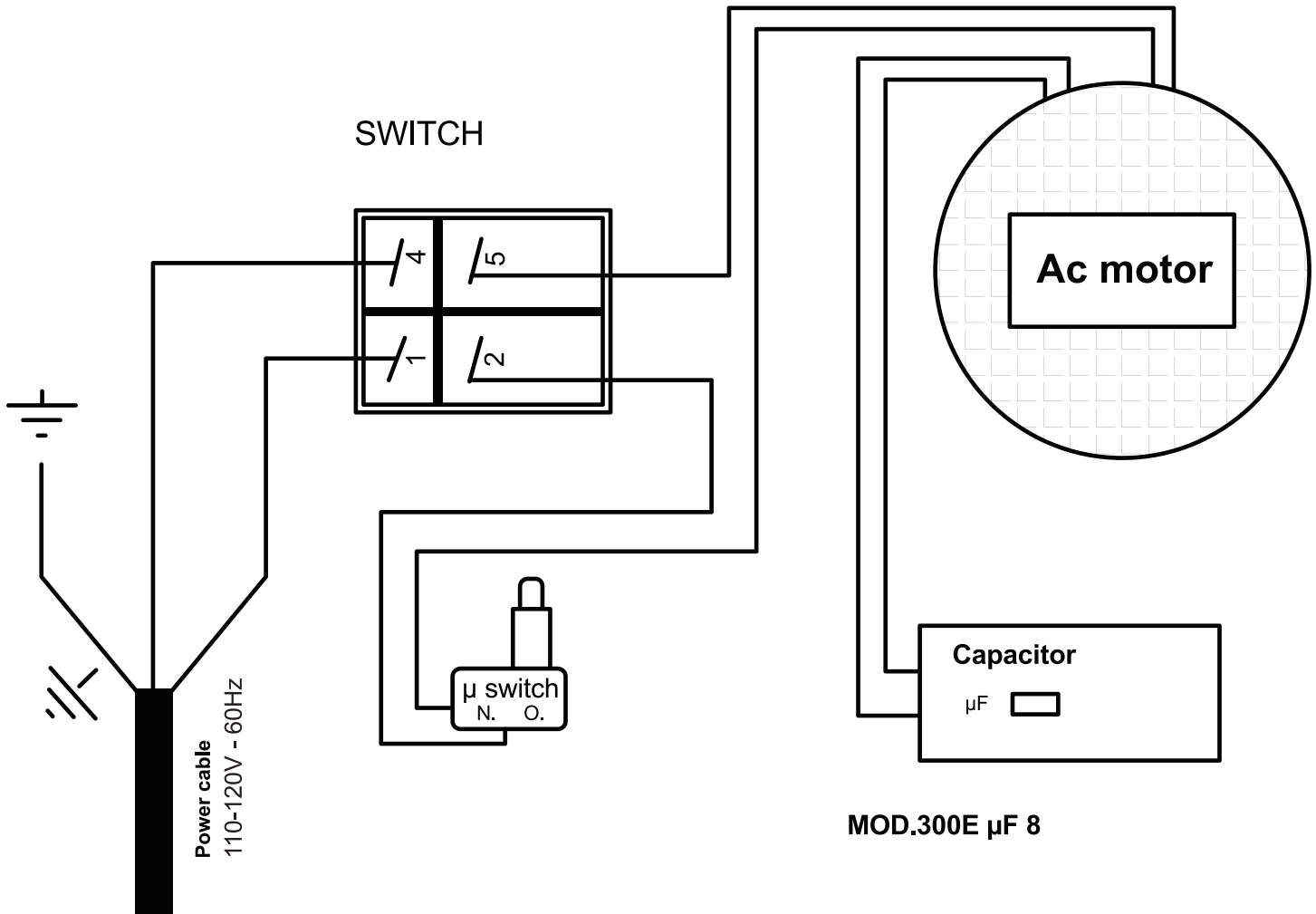
**Model MS-IT-0250-C** 31343



NEMA  
5 - 15P  
125VAC / 15 AMP

# Electrical Schematics

Model MS-IT-0300-C 31344



NEMA  
5 - 15P  
125VAC / 15 AMP

# Notes

---

---

---

---

---

---

---

---

---

---

---

---

---

---

---

---

---

---

---

---

---

---

---

---

---

---

# Notes

---

---

---

---

---

---

---

---

---

---

---

---

---

---

---

---

---

---

---

---

---

---

---

---

---





# Warranty Registration

Thank you for purchasing an Omcan product. To register your warranty for this product, complete the information below, tear off the card at the perforation and then send to the address specified below. You can also register online by visiting:

Merci d'avoir acheté un produit Omcan. Pour enregistrer votre garantie pour ce produit, complétez les informations ci-dessous, détachez la carte au niveau de la perforation, puis l'envoyer à l'adresse spécifiée ci-dessous. Vous pouvez également vous inscrire en ligne en visitant:

Gracias por comprar un producto Omcan usted. Para registrar su garantía para este producto, complete la información a continuación, cortar la tarjeta en la perforación y luego enviarlo a la dirección indicada a continuación. También puede registrarse en línea en:

<https://omcan.com/warranty-registration/>

For mailing in Canada

Pour postale au Canada

Por correo en Canadá

**OMCAN**

PRODUCT WARRANTY REGISTRATION

3115 Pepper Mill Court,  
Mississauga, Ontario  
Canada, L5L 4X5

For mailing in the US

Pour diffusion aux États-Unis

Por correo en los EE.UU.

**OMCAN**

PRODUCT WARRANTY REGISTRATION

4450 Witmer Industrial Estates, Unit 4,  
Niagara Falls, New York  
USA, 14305

*or email to: [service@omcan.com](mailto:service@omcan.com)*



Purchaser's Information

Name: \_\_\_\_\_

Address: \_\_\_\_\_

City: \_\_\_\_\_ Province or State: \_\_\_\_\_ Postal or Zip: \_\_\_\_\_

Country: \_\_\_\_\_

Dealer from which Purchased: \_\_\_\_\_

Dealer City: \_\_\_\_\_ Dealer Province or State: \_\_\_\_\_

Invoice: \_\_\_\_\_

Model Name: \_\_\_\_\_ Model Number: \_\_\_\_\_

Machine Description: \_\_\_\_\_

Date of Purchase (MM/DD/YYYY): \_\_\_\_\_

Would you like to extend the warranty?  Yes  No

Company Name: \_\_\_\_\_

Telephone: \_\_\_\_\_

Email Address: \_\_\_\_\_

Type of Company:

Restaurant  Bakery  Deli

Butcher  Supermarket  Caterer

Institution (specify): \_\_\_\_\_

Other (specify): \_\_\_\_\_

Serial Number: \_\_\_\_\_

Date of Installation (MM/DD/YYYY): \_\_\_\_\_

**Thank you for choosing Omcan | Merci d'avoir choisi Omcan | Gracias por elegir Omcan**



Since 1951 Omcan has grown to become a leading distributor of equipment and supplies to the North American food service industry. Our success over these many years can be attributed to our commitment to strengthen and develop new and existing relationships with our valued customers and manufacturers. Today with partners in North America, Europe, Asia and South America, we continually work to improve and grow the company. We strive to offer customers exceptional value through our qualified local sales and service representatives who provide convenient access to over 6,500 globally sourced products.

---

Depuis 1951 Omcan a grandi pour devenir un des “leaders” de la distribution des équipements et matériel pour l’industrie des services alimentaires en Amérique du Nord. Notre succès au cours de ces nombreuses années peut être attribué à notre engagement à renforcer et à développer de nouvelles et existantes relations avec nos clients et les fabricants de valeur. Aujourd’hui avec des partenaires en Amérique du Nord, Europe, Asie et Amérique du Sud, nous travaillons continuellement à améliorer et développer l’entreprise. Nous nous efforçons d’offrir à nos clients une valeur exceptionnelle grâce à nos ventes locales qualifiées et des représentants de service qui offrent un accès facile à plus de 6500 produits provenant du monde entier.

---

Desde 1951 Omcan ha crecido hasta convertirse en un líder en la distribución de equipos y suministros de alimentos en América del Norte industria de servicios. Nuestro éxito en estos años se puede atribuir a nuestro compromiso de fortalecer y desarrollar nuevas relaciones existentes con nuestros valiosos clientes y fabricantes. Hoy con socios de América del Norte, Europa, Asia y América del Sur, que trabajan continuamente para mejorar y crecer la empresa. Nos esforzamos por ofrecer a nuestros clientes valor excepcional a través de nuestro local de ventas y representantes de los servicios que proporcionan un fácil acceso a más de 6,500 productos con origen a nivel mundial.

