

# INSTRUCTION MANUAL

## Gear-Driven Meat Slicer

Item	38917
Model	MS-IT-0330-C



### Warning!

Before you begin using your appliance, **PLEASE READ AND UNDERSTAND THIS DOCUMENT CAREFULLY** before installing, operating, maintaining, or servicing.

There are many important safety messages in this manual and on your appliance. Always read all safety messages.

Failure to do so can result in appliance failure, property damage, serious injury or death. Appliance failure, injury or property damage due to improper installation is not covered by warranty.

### Stop!

**DO NOT RETURN THIS PRODUCT TO THE STORE!**

For questions or assistance with this product, call TRENTO Toll free: **1-833-487-3686** or visit the support section from our website, **[www.trentoequipment.com](http://www.trentoequipment.com)**

Version: Revised - 12/17/2024



# TABLE OF CONTENTS

---

<b>Section</b>	<b>Page</b>
General Information -----	3 - 4
Safety and Warranty -----	4 - 5
Technical Specifications -----	6
Installation -----	6
Operation -----	6 - 7
Maintenance -----	7 - 10
Parts Breakdown -----	11 - 21
Electrical Schematics -----	22
Warranty Registration -----	23

## GENERAL INFORMATION

---

Omcan Manufacturing and Distributing Company Inc., Food Machinery of America, Inc. dba Omcan and Omcan Inc. are not responsible for any harm or injury caused due to any person's improper or negligent use of this equipment. The product shall only be operated by someone over the age of 18, of sound mind, and not under the influence of any drugs or alcohol, who has been trained in the correct operation of this machine, and is wearing authorized, proper safety clothing. Any modification to the machine voids any warranty, and may cause harm to individuals using the machine or in the vicinity of the machine while in operation.

### CHECK PACKAGE UPON ARRIVAL

Upon receipt of an Omcan shipment please inspect for external damage. If no damage is evident on the external packaging, open carton to ensure all ordered items are within the box, and there is no concealed damage to the machine. If the package has suffered rough handling, bumps or damage (visible or concealed), please note it on the bill of lading before accepting the delivery and contact Omcan within 24 hours, so we may initiate a claim with the carrier. A detailed report on the extent of the damage caused to the machine must be filled out within three days, from the delivery date shown in the shipping documents. Omcan has no recourse for damaged products that were shipped collect or third party.

**Before operating any equipment, always read and familiarize yourself with all operation and safety instructions.**

Omcan would like to thank you for purchasing this machine. It's of the utmost importance to save these instructions for future reference. Also save the original box and packaging for shipping the equipment if servicing or returning of the machine is required.

---

Omcan Fabrication et distribution Compañie Limité et Food Machinery d'Amérique, dba Omcan et Omcan Inc. ne sont pas responsables de tout dommage ou blessure causé du fait que toute personne ait utilisé cet équipement de façon irrégulière. Le produit ne doit être exploité que par quelqu'un de plus de 18 ans, saine d'esprit, et pas sous l'influence d'une drogue ou d'alcool, qui a été formé pour utiliser cette machine correctement, et est vêtu de vêtements de sécurité approprié. Toute modification de la machine annule toute garantie, et peut causer un préjudice à des personnes utilisant la machine ou des personnes à proximité de la machine pendant son fonctionnement.

### VÉRIFIEZ LE COLIS DÈS RÉCEPTION

Dès réception d'une expédition d'Omcan veuillez inspecter pour dommages externes. Si aucun dommage n'est visible sur l'emballage externe, ouvrez le carton afin de s'assurer que tous les éléments commandés sont dans la boîte, et il n'y a aucun dommage dissimulé à la machine. Si le colis n'a subi aucune mauvaises manipulations, de bosses ou de dommages (visible ou cachée), notez-le sur le bond de livraison avant d'accepter la livraison et contactez Omcan dans les 24 heures qui suivent, pour que nous puissions engager une réclamation auprès du transporteur. Un rapport détaillé sur l'étendue des dommages causés à la machine doit être rempli dans un délai de trois jours, à compter de la date de livraison indiquée dans les documents d'expédition. Omcan n'a aucun droit de recours pour les produits endommagés qui ont été expédiés ou cueilli par un tiers transporteur.

**Avant d'utiliser n'importe quel équipement, toujours lire et vous familiariser avec toutes les opérations et les**

## GENERAL INFORMATION

---

consignes de sécurité.

Omcan voudrais vous remercier d'avoir choisi cette machine. Il est primordial de conserver ces instructions pour une référence ultérieure. Également conservez la boîte originale et l'emballage pour l'expédition de l'équipement si l'entretien ou le retour de la machine est nécessaire.

Omcan Empresa De Fabricacion Y Distribucion Inc. Y Maquinaria De Alimentos De America, Inc. dba Omcan y Omcan Inc. no son responsables de ningun daño o perjuicio causado por cualquier persona inadecuada o el uso descuidado de este equipo. El producto solo podra ser operado por una persona mayor de 18 años, en su sano juicio y no bajo alguna influencia de droga o alcohol, y que este ha sido entrenado en el correcto funcionamiento de esta máquina, y ésta usando ropa apropiada y autorizada. Cualquier modificación a la máquina anula la garantía y puede causar daños a las personas usando la máquina mientras esta en el funcionamiento.

### REVISE EL PAQUETE A SU LLEGADA

Tras la recepcion de un envio Omcan favor inspeccionar daños externos. Si no hay daños evidentes en el empaque exterior, Habra el carton para asegurarse que todos los articulos solicitados estén dentro de la caja y no encuentre daños ocultos en la máquina. Si el paquete ha sufrido un manejo de poco cuidado, golpes o daños (visible o oculto) por favor anote en la factura antes de aceptar la entrega y contacte Omcan dentro de las 24 horas, de modo que podamos iniciar una reclamación con la compañía. Un informe detallado sobre los daños causados a la máquina debe ser llenado en el plazo de tres días, desde la fecha de entrega que se muestra en los documentos de envío. Omcan no tiene ningun recurso por productos dañados que se enviaron a recoger por terceros.

**Antes de utilizar cualquier equipo, siempre lea y familiarizarse con todas las instrucciones de funcionamiento y seguridad.**

Omcan le gustaría darle las gracias por la compra de esta máquina. Es de la mayor importancia para salvar estas instrucciones para futuras consultas. Además, guarda la caja original y el embalaje para el envío del equipo si servicio técnico o devolución de la máquina que se requiere.

## SAFETY AND WARRANTY

---

### ELECTRICAL SUPPLY

Check that the voltage corresponds to the label data.

1. Connect the machine to the socket.
2. Check that the blade cover fastener handle is tight screwed.
3. Check that the blade sharpener is lowered and the protective cover is closed.
4. Press the green pushbutton to start the blade rotation (pilot light on).

## **SAFETY AND WARRANTY**

---

5. The blade must rotate in the counterclockwise direction.

**RESIDENTIAL USERS: vendor assumes no liability for parts or labor coverage for component failure or other damages resulting from installation in non-commercial or residential applications. The right is reserved to deny shipment for residential usage; if this occurs, you will be notified as soon as possible.**

### **1 YEAR PARTS AND LABOR BENCH WARRANTY**

Within the warranty period, contact Omcan Inc. at 1-833-487-3686 to schedule a drop off to either an Omcan authorized service depot in the area, or to an Omcan Service warehouse to repair the equipment.

Unauthorized maintenance will void the warranty. Warranty covers electrical and part failures, not improper use.

Please see <https://omcan.com/disclaimer> for complete info.

#### **WARNING:**

The packaging components are classified as normal solid urban waste and can therefore be disposed of without difficulty.

**In any case, for suitable recycling, we suggest disposing of the products separately (differentiated waste) according to the current norms.**

**DO NOT DISCARD ANY PACKAGING MATERIALS IN THE ENVIRONMENT!**

## TECHNICAL SPECIFICATIONS

<b>Model</b>	<b>MS-IT-0330-C</b>
<b>Item Number</b>	<b>38917</b>
<b>Blade</b>	13" / 330mm
<b>Power</b>	0.35 kW / 0.47 HP
<b>Slicing Volume</b>	8 hours or more
<b>Cutting Size (WH)</b>	10.6" x 6.7" / 269 x 170mm
<b>Cutting Size (Dia.)</b>	9.5" / 240mm
<b>Cut Thickness</b>	0 - 0.6" / 0 - 14mm
<b>RPM</b>	240
<b>Electrical</b>	110-120V / 60Hz / 1
<b>Weight</b>	94.8 lbs. / 43 kgs.
<b>Packaging Weight</b>	110 lbs. / 50 kgs.
<b>Dimensions</b>	26.4" x 28.7" x 20.9" / 670 x 729 x 530mm
<b>Packaging Dimensions</b>	32.7" x 28" x 26.7" / 831 x 711 x 678mm

## INSTALLATION

The slicer must be placed on a plane, horizontal, anti-skid and stable surface, fit for carrying its weight. The recommended height of the work top is about 800 mm. Check there are no obstacles for the product holder stroke.

### PRELIMINARY CLEANING

Clean off the protective oil from the slicer.

## OPERATION

### WARNING

The following products are not sliceable:

- Inedible products.
- Products with bones.
- Frozen products.

Check that the slicer is off and position the slice thickness control on zero.

## OPERATION

---

### HOW TO LOAD THE PRODUCT TO CUT

1. Place the product to cut against the product holder and the thickness plate sides.
2. Lay the last slice device on the product to cut, far from the slice thickness plate. The product is fed to the slice thickness plate by gravity, this makes the cut easier.
3. Rotate the slice thickness control onto the cutting thickness you wish.
4. Press the green pushbutton to start the blade.
5. At constant speed feed the product holder to the blade stroke end then return to the operator and repeat the operation.
6. When the work is over, pull the product holder towards the operator, press the red button to turn the blade off and rotate the slice thickness control on zero.

### HOW TO LOAD SHORT PRODUCTS (LAST SLICE)

Check that the slicer is off and position the slice thickness control on zero.

**WARNING: do not use your hands to push the products towards the blade.**

1. Place the product to be cut against the wall of the product holder and the slice thickness plate.
2. Push the goods against the slice thickness plate using the last slice device.
3. Rotate the slice thickness control onto the cutting thickness you wish.
4. Press the green pushbutton to start the blade.
5. At constant speed feed the product holder to the blade stroke end then return to the operator and repeat the operation.
6. When the work is over, pull the product holder towards the operator, press the red button to turn the blade off and rotate the slice thickness control on zero.

## MAINTENANCE

---

### BLADE SHARPENING

Whenever the cut is not satisfactory, sharp the blade. The time interval between a sharpening and the following depends on the intensity of use of the slicer and on the kind of food you cut. Replace the blade when the diameter becomes 10 mm less than the nominal diameter. For the replacement, ask the assistant service closest to you.

#### **WARNING**

The replacement of the blade is dangerous operation. Should the sharpening quality be not satisfactory, replace the stones. Contact a customer servicing.

1. Clean the blade removing any greasy residue.

## MAINTENANCE

---

2. Make sure that the machine is off.
3. Rotate the slice thickness control to zero to make sure that the blade is covered by the slice thickness plate.
4. Lift the sharpener cover.
5. Slip off completely the sharpener and spin it 180 degrees.
6. Put the sharpener device.
7. Push the green button to start the machine.
8. Sharpening: press the sharpening wheel for about 10-15 seconds. Then press simultaneously also the grinding stone for two seconds. Contemporaneously loosen the two grind stones. The sharpening and honing take place then simultaneously.  
**WARNING: for a suitable effect please execute sharpening for 10-15" approx.**
9. Press the red stop pushbutton.
10. Lift and rotate 180 degrees the sharpener and reallocate it into its initial position. Loosen the handle rotating it clockwise to block the sharpener. Lower the sharpener cover.

### SHARPENER DEVICE REMOVAL

To facilitate the cleaning of the sharpening grinder, remove the sharpener device pulling it upwards.

**WARNING: do not immerse in water or detergent the sharpening device.**

### CLEANING OF THE GRINDING WHEELS

To obtain an excellent sharpening the grinding wheel must always be clean. Remove dirt and grease with alcohol and the supplied special brush.

## MAINTENANCE

Disconnect the plug from the power point and take the slice thickness control on zero. We advise to wear protective gloves during all the cleaning and maintenance operations.

### ELECTRIC CABLE CHECK

Periodically check the electric cable wear.

### SPARE PARTS

In case of parts replacement, ask only original spare parts.

## CLEANING

If you do not use the machine for long time, always carry out a deep cleaning of the machine before using it. For the cleaning of all the open parts use a dampen cloth.

**WARNING: do not use water jet.**



# MAINTENANCE

---

## COMPONENTS REMOVAL

**DANGER: during the cleaning operations be careful: danger of accident.**

### PRODUCT HOLDER

1. Position on zero the slice thickness control.
2. Loosen up completely the product holder clamping handle rotating it counterclockwise.
3. Pull the product holder towards the operator to block it. The metallic click means that the product holder is clamped.
4. Lift the pusher from the guide bar.
5. Lift the product holder slipping it off from its support.
6. Clean the product holder.

**IMPORTANT: the slice thickness control is clamped on zero.**

### SLICE DEFLECTOR

1. Loosen the fixing screws and remove the slice deflector.

### BLADE COVER

1. Loosen the blade cover fastener handle rotating it counterclockwise.
2. Push the handle in the direction of the blade.
3. Lift the blade cover.

**ATTENTION: once removed the blade cover, an interlocking device stops the rotation of the blade.**

## BLADE CLEANING

**DANGER: during the cleaning of the blade, be careful of any accidental contact with the blade.**

1. Mop up the front side of the blade with a dampen cloth and move slowly from the centre to the edge of the blade, as shown by the arrow in the picture.
2. Clean in the same way the back side of the blade.
3. Dry with a cloth both sides of the blade.
4. After cleaning, fix the blade cover.
5. Insert the fastener and screw to block the blade cover.

Clean all the pieces in warm water and washing-up liquid. Rinse them with hot water and dry them. Assemble the machine following in reverse the procedure described above.

## GUIDES LUBRICATION

This operation must be performed after cleaning the slicer or whenever the sliding is difficult. Use oil SHELL ONDINA 15 or ESSO MARCOL 82.

## MAINTENANCE

---

### **LUBRICATION OF THE GUIDE BAR OF THE PRODUCT HOLDER:**

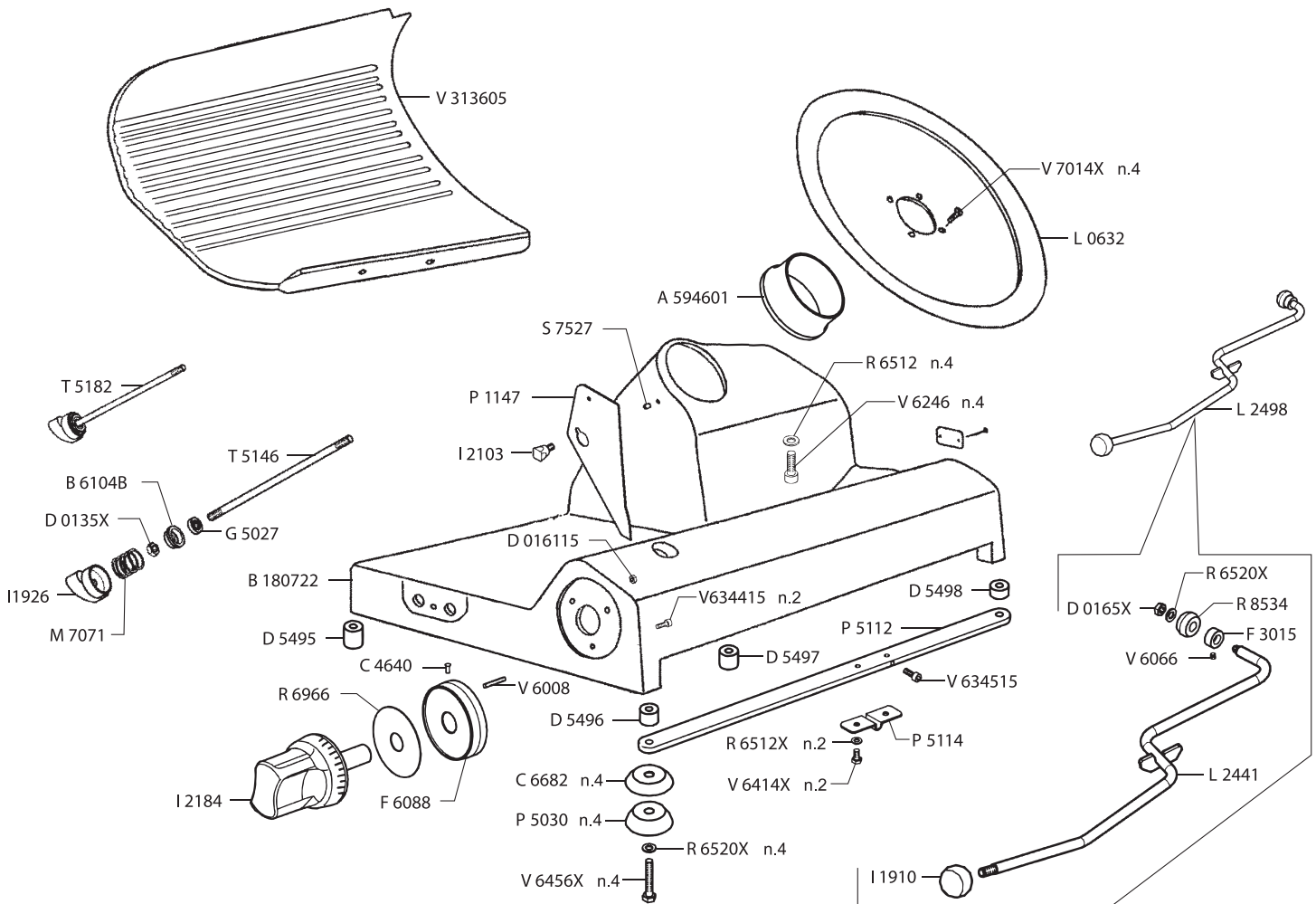
1. Drop some oil on the bar.
2. Let the last slice device slide on the guide bar.

### **LUBRICATION OF THE GUIDE BAR OF THE PRODUCT HOLDER CARRIAGE:**

1. Push the product holder towards stroke end.
2. Lift the slicer.
3. Drop some oil on the bar.
4. Place the slicer on the work top, push the product holder to and from.

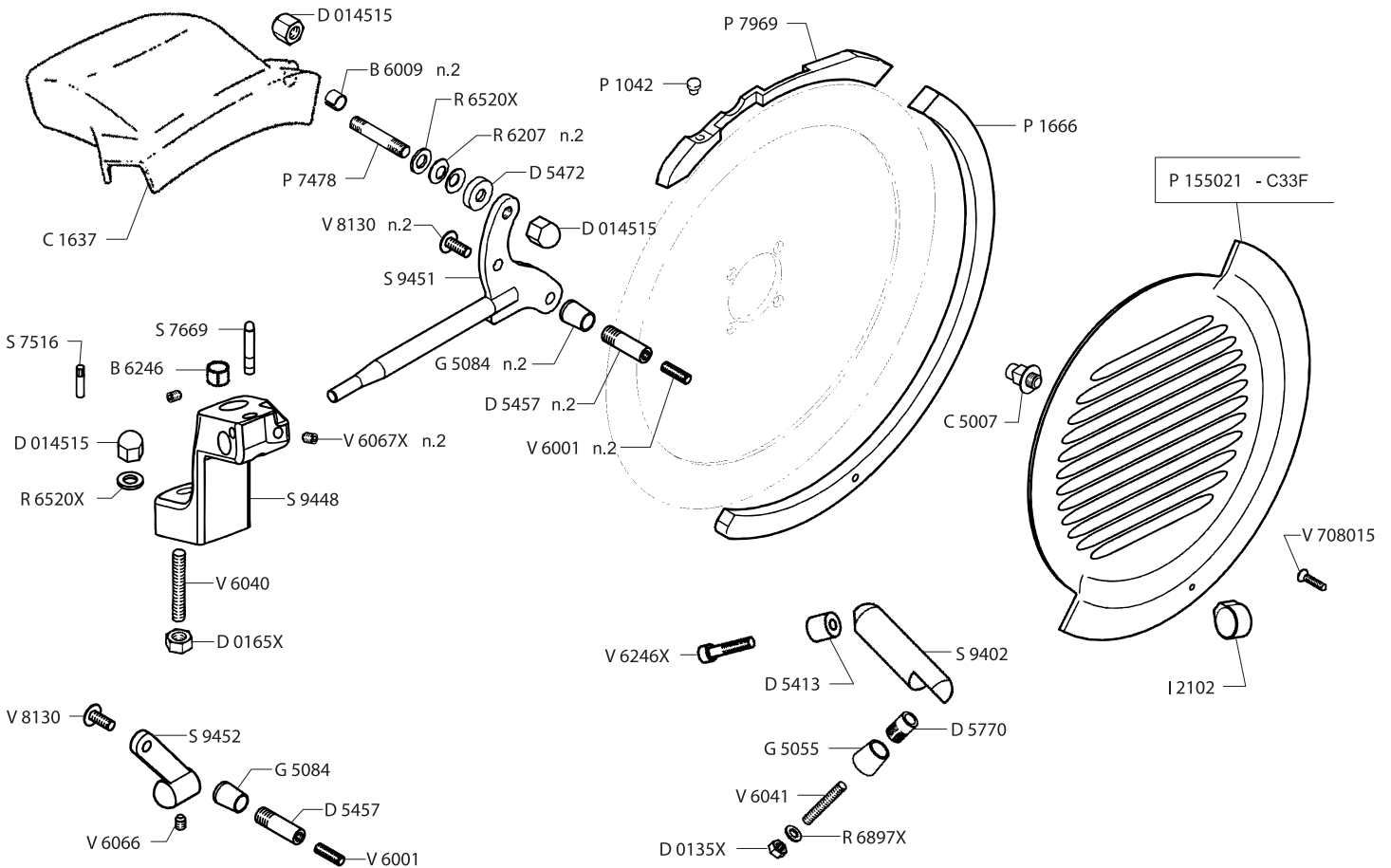
# PARTS BREAKDOWN

ITEM	MODEL
38917	MS-IT-0330-C



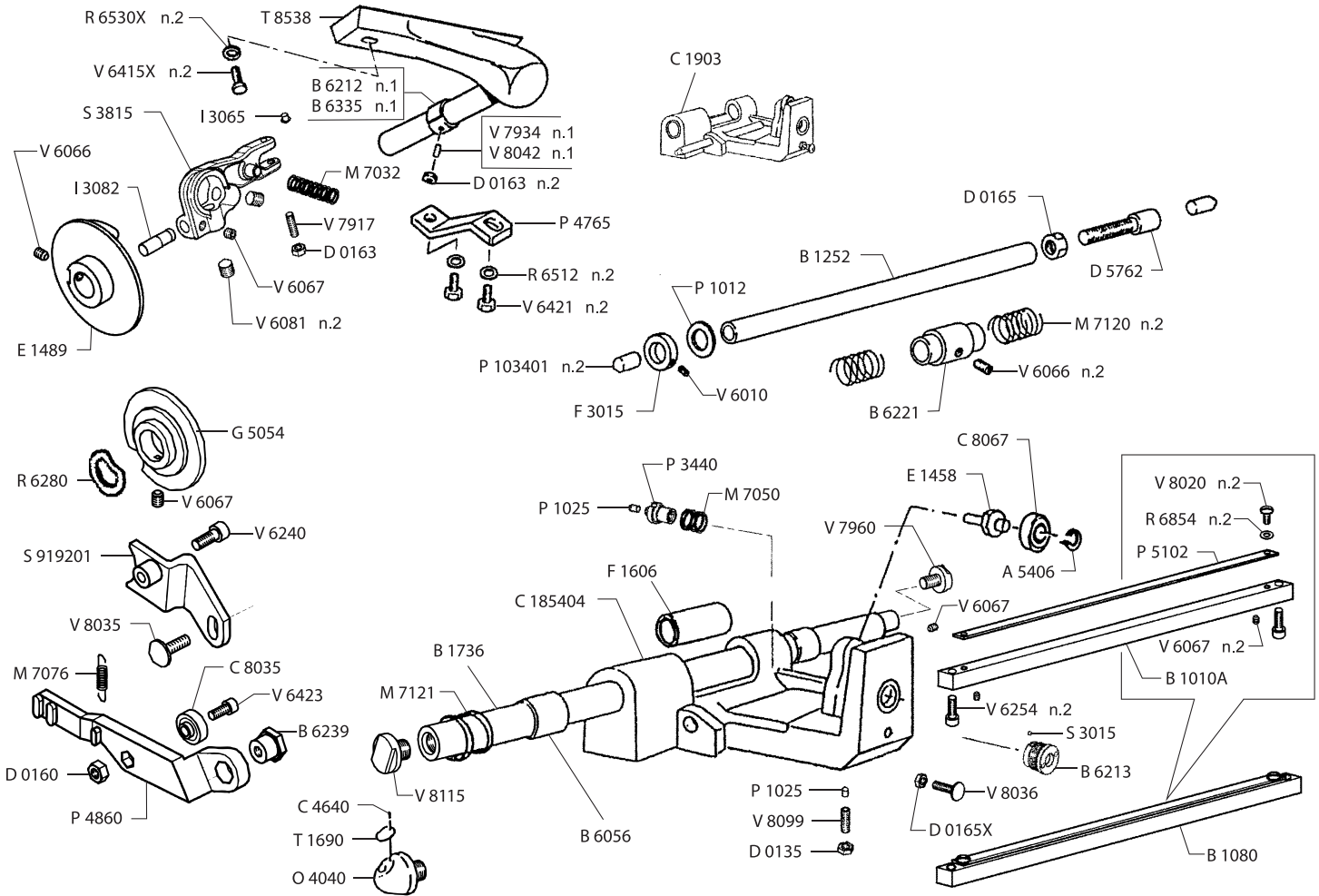
# PARTS BREAKDOWN

ITEM	MODEL
38917	MS-IT-0330-C



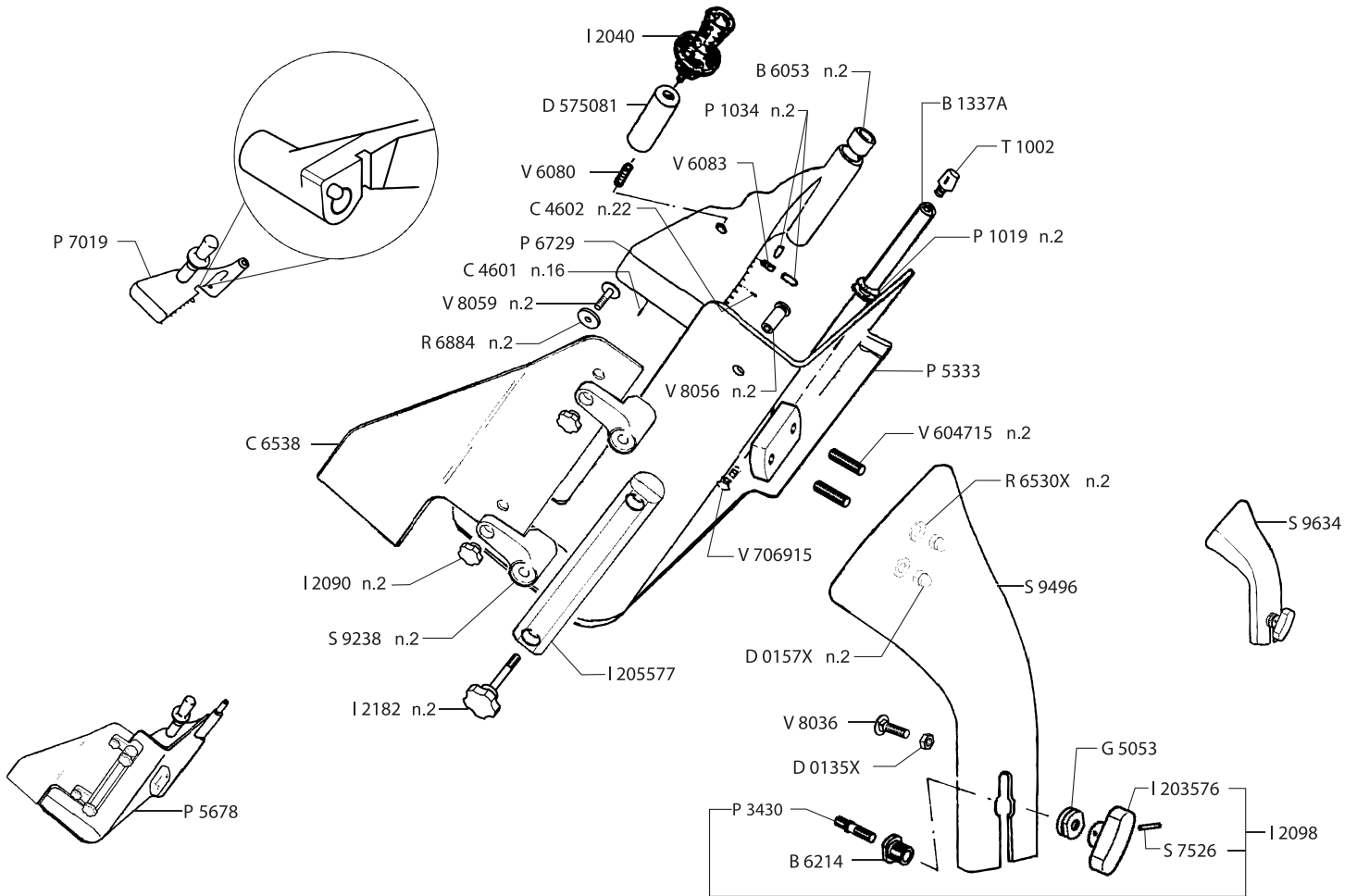
# PARTS BREAKDOWN

ITEM	MODEL
38917	MS-IT-0330-C



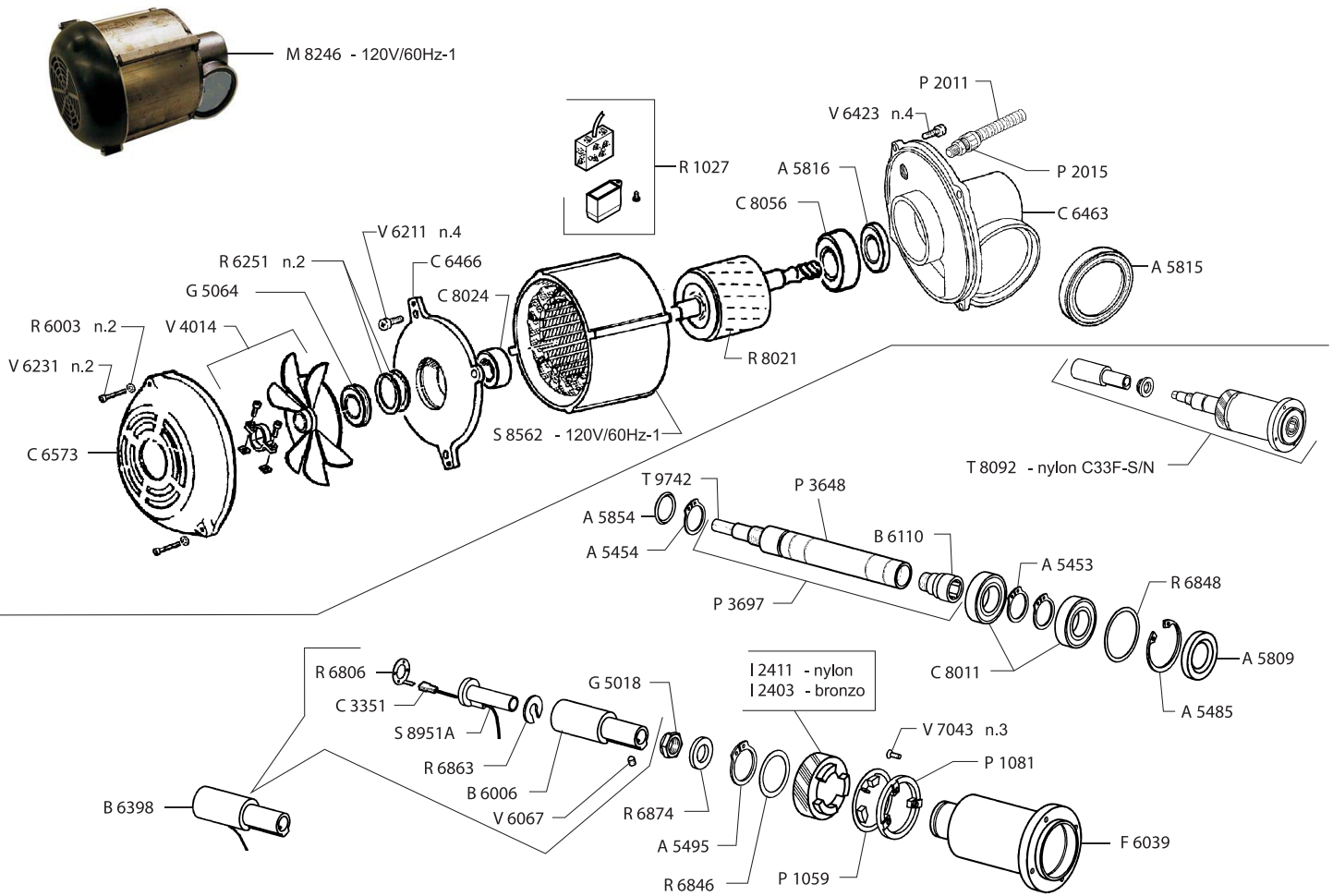
# PARTS BREAKDOWN

ITEM	MODEL
38917	MS-IT-0330-C



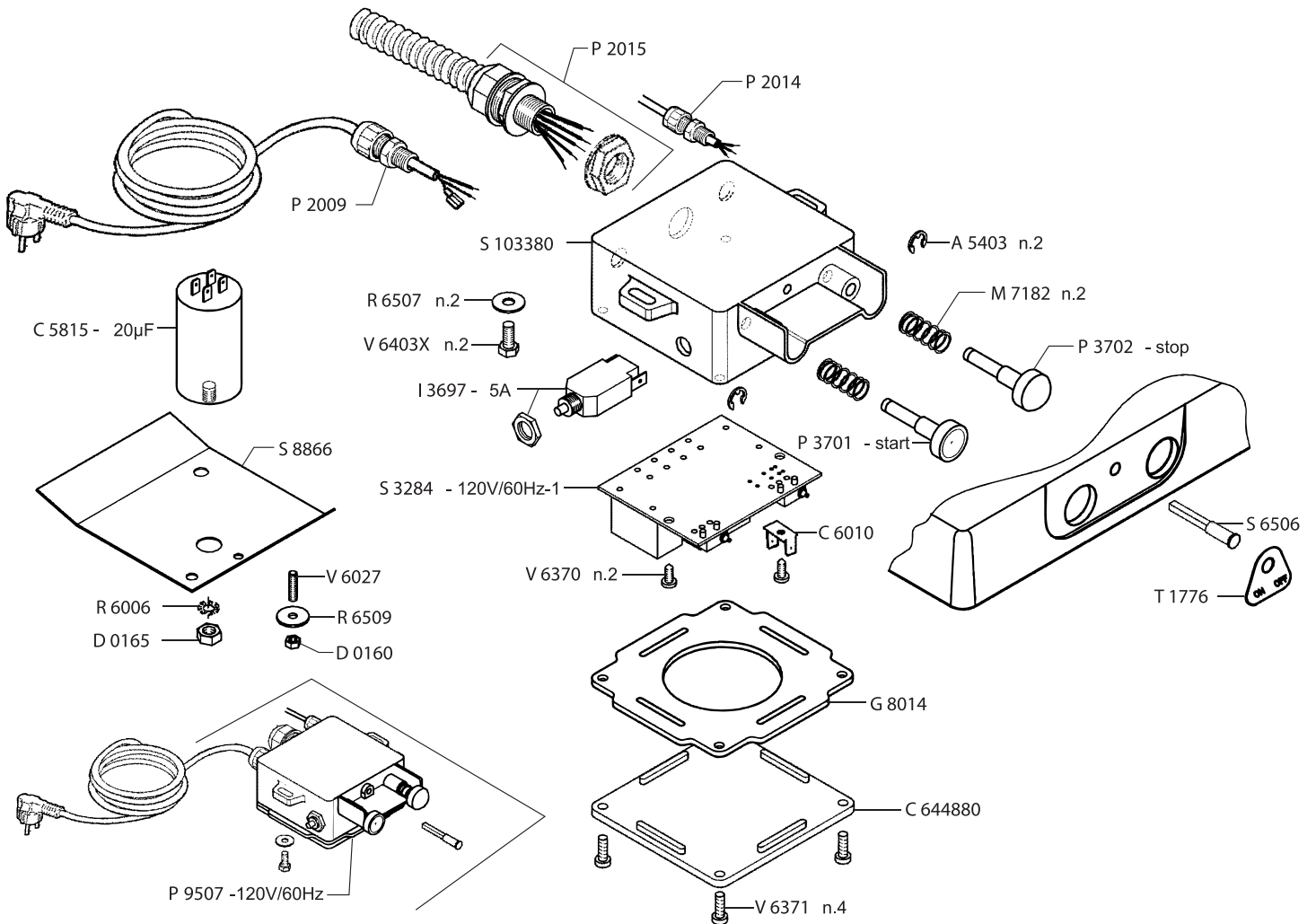
# PARTS BREAKDOWN

ITEM	MODEL
38917	MS-IT-0330-C



# PARTS BREAKDOWN

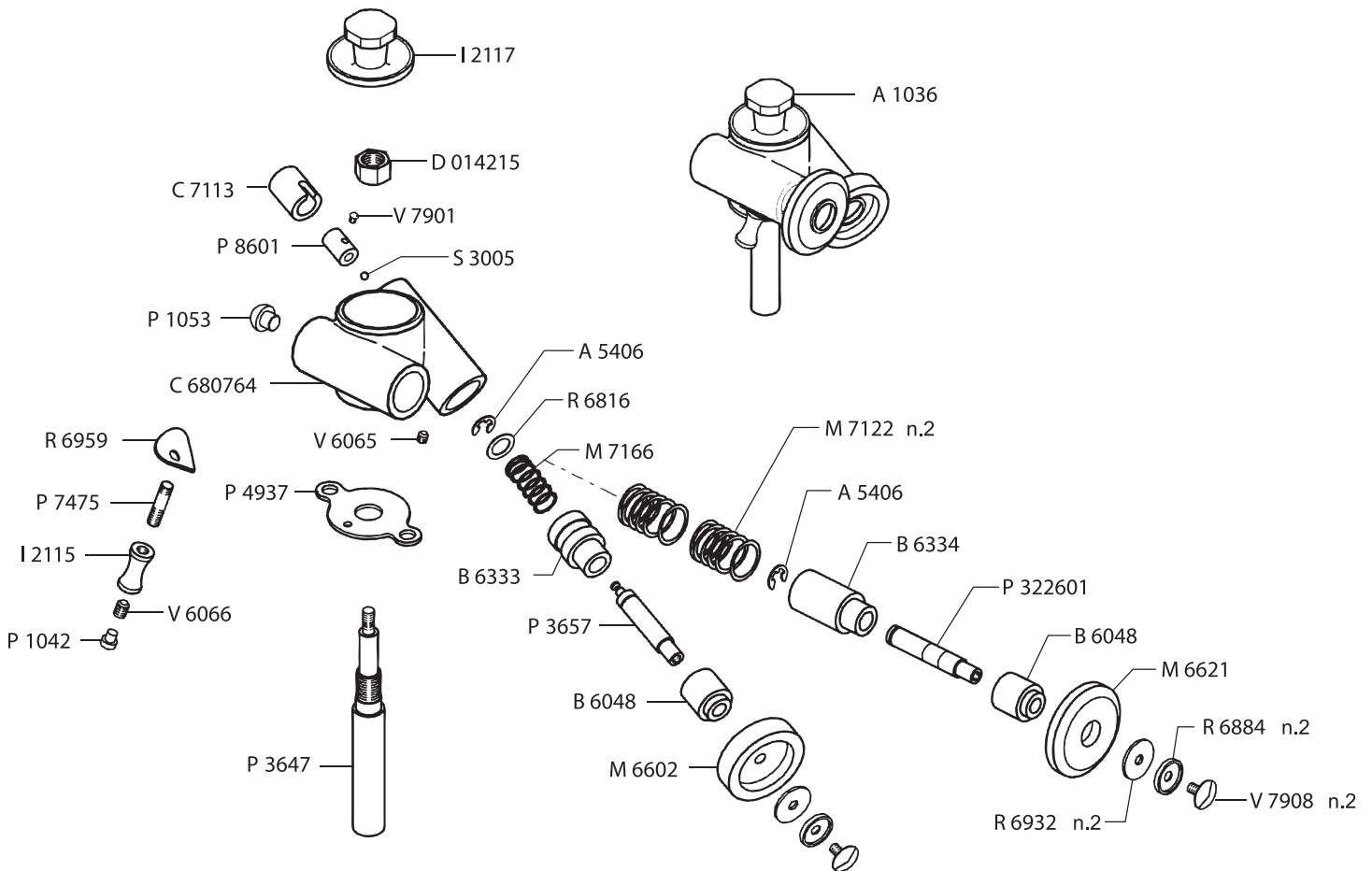
ITEM	MODEL
38917	MS-IT-0330-C





# PARTS BREAKDOWN

ITEM	MODEL
38917	MS-IT-0330-C



# PARTS BREAKDOWN

ITEM	MODEL
38917	MS-IT-0330-C

Item No.	Description	Position	Item No.	Description	Position	Item No.	Description	Position
36535	Assy Sharpener for 38917	A1036	18648	Bushing for 38917	B6212	36617	Motor Fan Cover for 38917	C6573
17279	Ring EL.Benzing 5 for 38917	A5403	36563	Carriage Bushing for 38917	B6213	36623	Foot Cover for 38917	C6682
16902	Ring EL.Benzing 8 for 38917	A5406	36564	Bushing for Carriage Support lg.23mm for 38917	B6214	64361	Sharpener Body for 38917	C680764
17281	Ring EL.Seeger Ext.25 for 38917	A5453	36566	Bushing to Hold Carriage Springs for 38917	B6221	36628	Switch Cover 16x20 for 38917	C7113
77585	Ring EL.Seeger Est.25 Ser.Heavy for 38917	A5454	36569	Fixing Lever Bushing for 38917	B6239	17334	Bearing 2Z-6205 25x52x15 for 38917	C8011
19484	Ring 52 for 38917	A5485	36570	Bushing DU 16x18x20 for 38917	B6246	16925	Bearing 2RS-6204 20x47x14 for 38917	C8024
19612	Ring 33 for 38917	A5495	36574	Bushing for 38917	B6333	36630	Bearing 5x16x6.5 for 38917	C8035
17283	Oil Seal 25x52x10 for 38917	A5809	36575	Bushing for 38917	B6334	36631	Bearing 2RS-6205 25x52x15 for 38917	C8056
17285	Oil Seal 60x75x8 for 38917	A5815	36576	Bushing DU 28x32x25 for 38917	B6335	16926	Bearing 2RS-6000 (10x26x8) for 38917	C8067
19493	Oil Seal 25x47x07 for 38917	A5816	78677	Bushing Fastener Guard Knife C for 38917	B6398	19639	Nut M8 for 38917	D0135
17288	O-Ring 3081 20.24x2.62 for 38917	A5854	36584	All Sharpener Cover for 38917	C1637	36637	Nut U5589 M8 Stainless Steel for 38917	D0135X
65609	Sealing Ring Shaft for 38917	A594601	36591	Carriage Support for 38917	C185404	77508	Stainless Steel Nut U5588 M12 for 38917	D014215
17290	Carriage Bar for 38917	B1010A	36593	Assembled Carriage for 38917	C1903	66365	Domed Nut Din 917 M8 Stainless Steel for 38917	D014515
60431	Complete Carriage Rail Assembly for 38917	B1080	65610	Cord 0.5 LG.750 Coverblade Microswitch for 38917	C3351	19643	Nut M10 for 38917	D0157X
36549	Shock Absorber Rod 12x185 for 38917	B1252	17316	Pin 8.5mm for 38917	C4601	36643	Nut U5588 M5 for 38917	D0160
19501	Meat Grip Rod A310 & C for 38917	B1337A	17317	Pin.11 for 38917	C4602	65613	Stainless Steel Nut U5588 M4 for 38917	D016115
65883	Sliding Bar for 38917	B1736	36601	Rivet 1.9x5 for 38917	C4640	19644	Nut M6 for 38917	D0163
17298	Bushing Fastener C for 38917	B6006	36607	Blade Cover Bolt Keeper 14x14M for 38917	C5007	36647	Nut U5588 M8 for 38917	D0165
19618	Bushing 8x10x8 for 38917	B6009	20458	Capacitor 14uF for 38917	C5815	36648	Nut U5588 M8 for 38917	D0165X
16904	Bushing Sharpener for 38917	B6048	74403	Connector Faston 2 Poles Male for 38917	C6010	36653	Spacer for 38917	D5413
16905	Bushing DU 16x18x15 for 38917	B6053	65611	Cover for Box S1033 Latamid for 38917	C644880	36654	Spacer per Registro M10 p.1x33 for 38917	D5457
17304	Bushing DU 25x28x20 for 38917	B6056	78266	Front Motor Cover for 38917	C6463	65614	Spacer Fixing Sharpener Cover for 38917	D5472
19630	Bushing Fastener for 38917	B6104B	36615	Back Motor Cover for 38917	C6466	65615	Foot Spacer Ø8x22x25 Front Left for 38917	D5495
78265	Bushing Funnel for 38917	B6110	36616	Transparent Cover for Carr. Plate for 38917	C6538	65616	Foot Spacer Ø8x22x17 Front Right for 38917	D5496

# PARTS BREAKDOWN

ITEM	MODEL
38917	MS-IT-0330-C

Item No.	Description	Position	Item No.	Description	Position	Item No.	Description	Position
65617	Foot Spacer Ø8x22x20 Back Left for 38917	D5497	23632	Screw for 38917	I2103	17390	Rubber Shock Abs. 16x22x2.5 for 38917	P1019
65618	Foot Spacer Ø8x22x20 Back Right for 38917	D5498	65621	Knob Ø12x25 M6 for 38917	I2115	36760	Pin Tray Shock-Absorber for 38917	P1025
36659	Hand Grip-Knob Spacer for 38917	D575081	65622	Sharpener Body Knob for 38917	I2117	17392	PL.Shock Absorb.8.5x20 for 38917	P1034
36661	Carriage Shock Absorber Spacer for 38917	D5762	65623	Handle Assembly NSF for 38917	I2182	36761	Shock Absorber for 38917	P103401
60786	Locknut Spacer for 38917	D5770	65624	Impugn.Graduata Ass. for 38917	I2184	19797	Nylon Shock 8.5x8 for 38917	P1042
17345	Cam Bearing for 38917	E1458	62453	Nylon Gear with Cap for 38917	I2403	36762	Rubber Plug for 38917	P1053
79267	Cam Eccentric Stroke mm.16 for 38917	E1489	62350	Bushing Glide Dia 8x8 for 38917	I3065	16955	Shock Absorber for 38917	P1059
36682	Unhook Friction Clasp 12x22x8 for 38917	F3015	62351	Bushing Glide Pin Dia 8x38 for 38917	I3082	17395	Shock Absorber for 38917	P1081
77591	Support Blade Flange for 38917	F6039	72282	Overload Protector for 38917	I3697	36763	Slice Deflector for 38917	P1147
65619	Flange X Index Knob I2131 for 38917	F6088	22042	Blade 330x57x4x286x23 -100Cr6/C for 38917	L0632	36767	Knife Guard with Cover Handle for 38917	P155021
17351	Locknut for 38917	G5018	65626	Assy Lift Lever for 38917	L2498	36773	Ring Guard for 38917	P1666
36689	Stainless Steel Locknut M8 for 38917	G5027	14787	Grinding Sharpening Stone 48x15x14.3 for 38917	M6602	77617	Strain Relief for 38917	P2009
36691	Ring for Bushing for 38917	G5053	14788	Finishing Truing Stone 48x08x14.3 for 38917	M6621	60421	Electrical Conduit for 38917	P2011
36692	Ring for Cam for 38917	G5054	19776	Spring 14x1.5x60 for 38917	M7032	36778	Wire-Press for 38917	P2014
36695	Ring Support Cap for 38917	G5055	19782	Spring 19.5x1.5x16.7 for 38917	M7050	36779	Core-Hitch + Nut for 38917	P2015
36697	Logging Lock Nut for 38917	G5064	19250	Spring 24.8x1.8x15 for 38917	M7071	17419	Pin Truing for 38917	P322601
36698	Index Ring M10 p.1 h.17 for 38917	G5084	36746	Spring 7x0.8x23 Cam for 38917	M7076	36793	Pin.Handle for 38917	P3430
36700	Seal for 38917	G8014	19248	Spring 15.6x20x2.2 for 38917	M7120	36794	Carr. Plate Lock Pivot for 38917	P3440
17354	Handle T210 for 38917	I1910	36749	Carriage Bar Spring 25-28-1.5 for 38917	M7121	65628	Pivot Sharpener for 38917	P3647
17356	Fastener Handle for 38917	I1926	36750	18.5x20.9x1.2 Bar Carriage Spring for 38917	M7122	79272	Knife Shaft for 38917	P3648
17363	End Grip Handle for 38917	I2040	36751	Spring for 38917	M7166	36805	Pivot for Grinding Stone for 38917	P3657
65620	Handle 28x170 Carriage Tray NSF for 38917	I205577	65627	Button Spring for 38917	M7182	77594	Assy Driving Pivot Per T8093 for 38917	P3697
63463	Transparent Cover Knob Screw for 38917	I2090	20263	Motor 120V/60Hz-1 for 38917	M8246	65629	Concave Start Button Pin for 38917	P3701
36717	Knob Assy for 38917	I2098	19791	Oiler Oil Cap with Screw for 38917	O4040	65630	Convex Stop Button Pin for 38917	P3702
36719	Cover Handle for 38917	I2102	17388	R.Shock Absorb.12x19x2 for 38917	P1012	36830	Flat Bar C for 38917	P4765

# PARTS BREAKDOWN

ITEM	MODEL
38917	MS-IT-0330-C

Item No.	Description	Position	Item No.	Description	Position	Item No.	Description	Position
36834	Index Casting C-H for 38917	P4860	36884	Washer U6592 8 Stainless Steel for 38917	R6520X	19870	Stator 120/60 for 38917	S8562
65631	Plastic Body Sharpener for 38917	P4937	36885	Washer U6592 10 Stainless Steel for 38917	R6530X	65643	Capacitor Holder for 38917	S8866
17438	Foot for 38917	P5030	17458	Contact Washer for 38917	R6806	78236	Bracket Washer C for 38917	S8951A
65632	Sliding Bearing Flat for 38917	P5102	36889	Washer 10.5x16x1 for 38917	R6816	65644	Bracket Support for 38917	S919201
65633	Upper Plate Hinge for 38917	P5112	17460	Washer 34.2x46x0.5 for 38917	R6846	36974	Carriage Plexi Support for 38917	S9238
65634	Plate for Hinge for 38917	P5114	19674	Washer 44.5x51.5x0.2 for 38917	R6848	36976	Support for 38917	S9402
65635	Carriage Product Tray for 38917	P5333	77540	Washer 6.2x14x0.6 for 38917	R6854	36977	Sharpener Support for 38917	S9448
65636	Assy Carriage Tray for 38917	P5678	19675	Washer C for 38917	R6863	36978	Support Bracker for 38917	S9451
78235	End Grip for 38917	P6729	36892	Washer 17x30x4 for 38917	R6874	65645	Holder Blade Guard for 38917	S9452
79637	End Grip for 38917	P7019	16972	Washer 5.5x19x2.5 for 38917	R6884	65646	Bracket Tray for 38917	S9496
65637	Special Screw M6x25 X Knob for 38917	P7475	36893	Stainless Steel Special Washer 8.5x24x2 for 38917	R6897X	65647	Assy Carriage Tray Holder for 38917	S9634
65638	Special Screw Captive M8x44 for 38917	P7478	36897	Special Washer 5.5x22x1.5 for 38917	R6932	19878	Rubber Cap for 38917	T1002
36857	Protection Superiore Lama for 38917	P7969	65641	Special Washer X Sharpener 6x25x1 for 38917	R6959	19883	Label Oil for 38917	T1690
17448	Sharpener Pusher for 38917	P8601	61390	Thickness Dial Plate for 38917	R6966	65648	Slices Counter Label Opt3 for 38917	T1776
65639	Assy On/Off Switch + PCB for 38917	P9507	78261	Rotor Stator H.50 for 38917	R8021	65649	Blade Cover Fastener M8x312 for 38917	T5146
65640	Oil Receiver for 38917	R1027	65642	P.C.B. Protection Box for 38917	S103380	44014	Knife Cover Tie Rod (Release Knob) for 38917	T5182
19657	Washer 4 for 38917	R6003	19680	Ball 3 17 for 38917	S3005	19900	Driving Shaft for 38917	T8092
19659	Washer 8 for 38917	R6006	17465	Ball 4.76 for 38917	S3015	36999	Riding Pin (Diam.28) for 38917	T8538
36877	Washer 8.2x16x0.9 for 38917	R6207	36906	Circuit Board 120V/60 Opt.148 for 38917	S3284	79283	Shaft Pin for 38917	T9742
78258	Washer 30.5x46.5x0.6 for 38917	R6251	36908	Track C-CD for 38917	S3815	65650	Aluminum Gauge-Plate for 38917	V313605
19666	Washer for 38917	R6280	36910	LED KL74D250 for 38917	S6506	37013	Motor Fan MEC80 148x16 for 38917	V4014
36881	Washer U6593 5 (5.5x15x1.2) for 38917	R6507	36915	Pin Stainless Steel D.6x28 for 38917	S7516	37014	STEI Screw 6x20 for 38917	V6001
20422	Washer for 38917	R6509	36920	Pin 4x25 for 38917	S7526	37016	Screw STTC U6113 M4x25 for 38917	V6008
16967	Washer U65926 for 38917	R6512	36921	Stainless Steel 4x7 Pin M.C for 38917	S7527	37018	Screw STTC U6113 M6x6 for 38917	V6010
17457	Washer U6592 6 Stainless Steel for 38917	R6512X	36931	Pin 8x50 for 38917	S7669	37019	Screw M5x20 U5923 for 38917	V6027

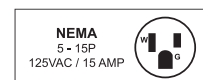
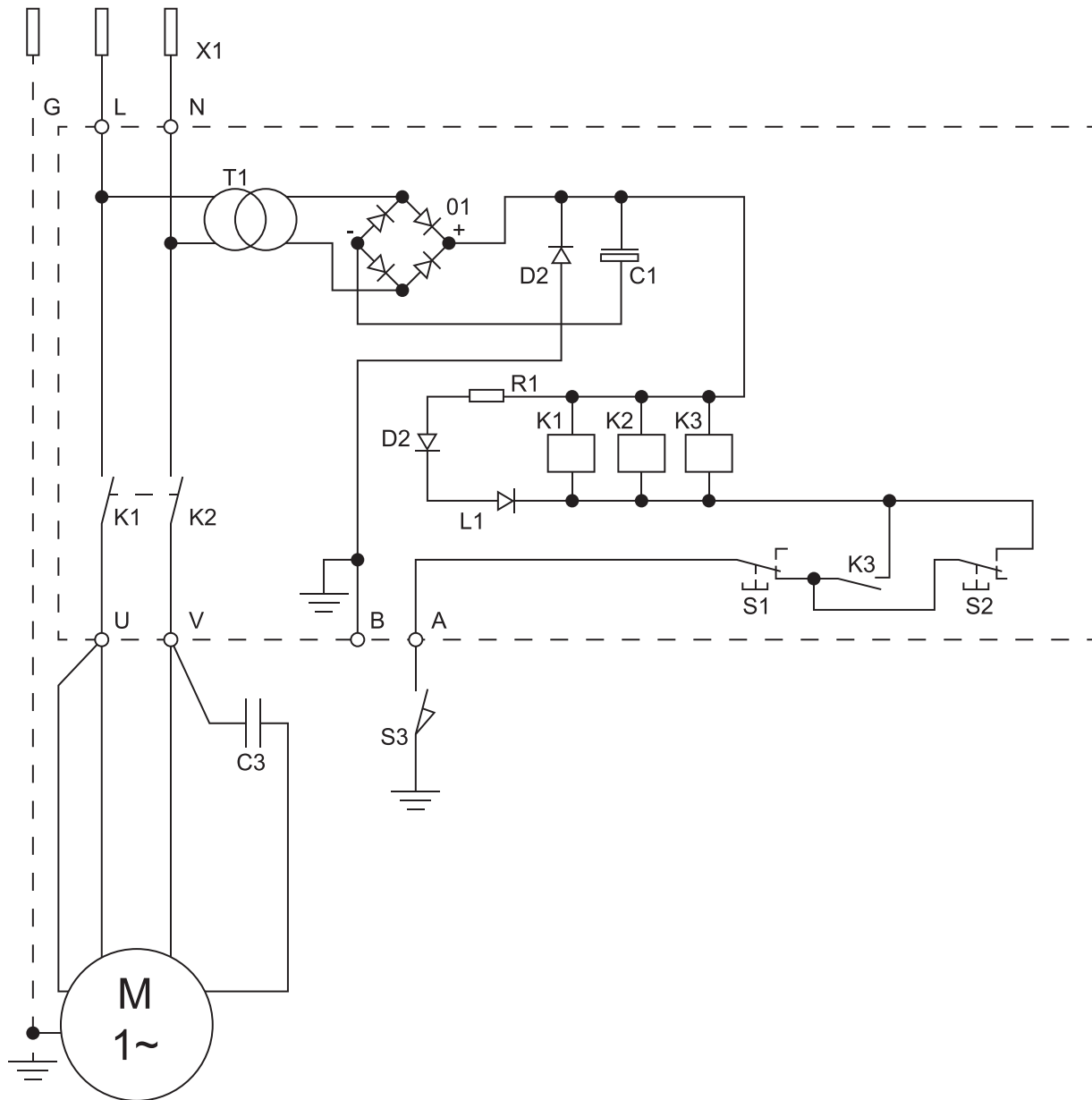
# PARTS BREAKDOWN

ITEM	MODEL
38917	MS-IT-0330-C

Item No.	Description	Position	Item No.	Description	Position	Item No.	Description	Position
65651	Vite STEI U5923 M8x40 INOX for 38917	V6040	37042	Screw TCEI U5931 M8x25 for 38917	V6254	17503	Screw M5x13 for 38917	V7908
60426	Stainless Steel Screw STEI U5923 M8x60 for 38917	V6041	77630	Stainless Steel Screw TCEI U5931 M4x12 for 38917	V634415	19717	Screw M6x50 for 38917	V7917
65652	Vite STEI U5923 M10x40 INOX for 38917	V604715	37058	Stainless Steel Screw M4x8 for 38917	V6370	19720	Screw M6 for 38917	V7934
37023	Screw STEI U5929 M5x5 for 38917	V6065	37059	Stainless Steel Screw M4x14 for 38917	V6371	19917	Screw BS for 38917	V7960
19691	Grub Screw M6x6 for 38917	V6066	37060	Stainless Steel Screw TE U5737 M5x12 for 38917	V6403X	16987	Special Screw M6x15 for 38917	V8020
19692	Screw M6x8 for 38917	V6067	65653	Stainless Steel Screw TE U5739 M6x12 for 38917	V6414X	37102	Screw M6x20 for 38917	V8035
37025	Screw STEI U5929 M6x8 for 38917	V6067X	37064	Screw TE U5739 M10x35 for 38917	V6415X	19920	Screw M8x30 for 38917	V8036
19695	Screw M10x30 for 38917	V6080	37066	Screw TE U5737 M6x15 for 38917	V6421	37104	Threaded Stud for 38917	V8042
37030	Screw M12x16 U5927 for 38917	V6081	37067	Screw TE U5739 M5x20 for 38917	V6423	37108	Special Fixed End Screw M6x17 for 38917	V8056
37031	Screw STEI U5929 M8x16 for 38917	V6083	AI245	Stainless Steel Screw TE U5739 M8x50 for 38917	V6456X	19726	Screw M5x21 for 38917	V8059
19697	Screw M5x16 for 38917	V6211	17497	Screw TSP U6109 M5x15 Stainless Steel for 38917	V7014X	37113	Screw for Carr. Index M8x25 for 38917	V8099
19699	Screw M4x25 for 38917	V6231	17498	Screw TSPEI U5933 M4x10 for 38917	V7043	65884	Sliding Bar Screw M14 P.1x13 CH17 for 38917	V8115
19700	Screw M6x16 for 38917	V6240	65654	Stainless Steel Screw U6110 M10x30 for 38917	V706915	37114	Stainless Steel Screw M6x25 for 38917	V8130
19702	Screw M6x25 for 38917	V6246	37088	Screw TSP AUT.U6952 4.2x16 INOX for 38917	V708015			
37039	Screw TCEI U5931 M6x25 Inox for 38917	V6246X	17502	Screw M3x5.5 for 38917	V7901			

# ELECTRICAL SCHEMATICS

ITEM	MODEL
38917	MS-IT-0330-C



# WARRANTY REGISTRATION

Thank you for purchasing an Trento product. To register your warranty for this product, complete the information below, tear off the card at the perforation and then send to the address specified below. You can also register online by visiting:

Merci d'avoir acheté un produit Trento. Pour enregistrer votre garantie pour ce produit, complétez les informations ci-dessous, détachez la carte au niveau de la perforation, puis l'envoyer à l'adresse spécifiée ci-dessous. Vous pouvez également vous inscrire en ligne en visitant:

Gracias por comprar un producto Trento usted. Para registrar su garantía para este producto, complete la información a continuación, cortar la tarjeta en la perforación y luego enviarlo a la dirección indicada a continuación. También puede registrarse en línea en:

***<https://omcan.com/warranty-registration/>***

**For mailing in Canada**

**Pour postale au Canada**

**Por correo en Canadá**

**TRENTO**

PRODUCT WARRANTY REGISTRATION

3115 Pepper Mill Court,  
Mississauga, Ontario  
Canada, L5L 4X5

**For mailing in the US**

**Pour diffusion aux États-Unis**

**Por correo en los EE.UU.**

**TRENTO**

PRODUCT WARRANTY REGISTRATION

4450 Witmer Industrial Estates, Unit 4,  
Niagara Falls, New York  
USA, 14305

***or email to: [trentoservice@trentoequipment.com](mailto:trentoservice@trentoequipment.com)***



Purchaser's Information

Name: \_\_\_\_\_

Address: \_\_\_\_\_

City: \_\_\_\_\_ Province or State: \_\_\_\_\_ Postal or Zip: \_\_\_\_\_

Country: \_\_\_\_\_

Dealer from which Purchased: \_\_\_\_\_

Dealer City: \_\_\_\_\_ Dealer Province or State: \_\_\_\_\_

Invoice: \_\_\_\_\_

Model Name: \_\_\_\_\_ Model Number: \_\_\_\_\_

Machine Description: \_\_\_\_\_

Date of Purchase (MM/DD/YYYY): \_\_\_\_\_

Would you like to extend the warranty?  Yes  No

Company Name: \_\_\_\_\_

Telephone: \_\_\_\_\_

Email Address: \_\_\_\_\_

Type of Company:

Restaurant  Bakery  Deli

Butcher  Supermarket  Caterer

Institution (*specify*): \_\_\_\_\_

Other (*specify*): \_\_\_\_\_

Serial Number: \_\_\_\_\_

Date of Installation (MM/DD/YYYY): \_\_\_\_\_

**Thank you for choosing Trento | Merci d'avoir choisi Trento | Gracias por elegir Trento**

# TRENTO

ELEVATING CULINARY EXCELLENCE

TRENTO IS A SIGNATURE LINE OF PROFESSIONAL RESTAURANT EQUIPMENT FROM OMCAN OFFERING PREMIUM EUROPEAN BRANDS TO THE NORTH AMERICAN MARKET.

Thank you for your purchase!



Follow us on social media  
@trentoequipment

