



## ***Refrigerated Showcases***

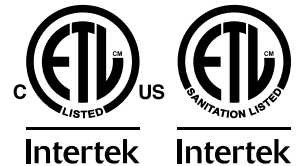
Models RS-CN-0072-R, 0400-R, 0100-R

Items 39552, 40440, 41466

## ***Instruction Manual***



*Revised - 01/24/2025*



Toll Free: 1-800-465-0234  
Fax: 905-607-0234  
Email: [service@omcan.com](mailto:service@omcan.com)  
[www.omcan.com](http://www.omcan.com)



# ***Table of Contents***

Model RS-CN-0072-R / Model RS-CN-0400-R / Model RS-CN-0100-R

---

<b>Section</b>	<b>Page</b>
Disclaimer -----	3
General Information -----	4 - 5
Safety and Warranty -----	5 - 7
Technical Specifications -----	7
Operation -----	8 - 9
Maintenance -----	9
Troubleshooting -----	9 - 10
Parts Breakdown -----	11 - 16
Electrical Schematics -----	17 - 19
Notes -----	20 - 22
Warranty Registration -----	23

*OMCAN IS NOT RESPONSIBLE FOR ANY DAMAGES DUE TO WATER LEAKS. WARRANTY FOR WATER LEAKS IS VOID IF THE AMBIENT ROOM TEMPERATURE EXCEEDS 75°F AND 55% RELATIVE HUMIDITY, AND THE APPLIANCE DRAIN IS NOT CONNECTED DIRECTLY TO A FLOOR DRAIN.*

---

*OMCAN N'EST PAS RESPONSABLE DES DOMMAGES DUS AUX FUITES D'EAU. LA GARANTIE POUR LES FUITES D'EAU EST ANNULÉE SI LA TEMPÉRATURE AMBIANTE DE LA PIÈCE DÉPASSE 75°F ET 55% D'HUMIDITÉ RELATIVE, ET SI LE DRAIN DE L'APPAREIL N'EST PAS RACCORDÉ DIRECTEMENT À UN DRAIN DE PLANCHER.*

---

*OMCAN NO SE HACE RESPONSABLE DE LOS DAÑOS CAUSADOS POR FUGAS DE AGUA. LA GARANTÍA POR FUGAS DE AGUA QUEDA ANULADA SI LA TEMPERATURA AMBIENTE SUPERA LOS 75°F Y EL 55% DE HUMEDAD RELATIVA, Y EL DESAGÜE DEL APARATO NO ESTÁ CONECTADO DIRECTAMENTE A UN DESAGÜE DE PISO.*

## ***General Information***

---

**Omcan Manufacturing and Distributing Company Inc., Food Machinery of America, Inc. dba Omcan and Omcan Inc. are not responsible for any harm or injury caused due to any person's improper or negligent use of this equipment. The product shall only be operated by someone over the age of 18, of sound mind, and not under the influence of any drugs or alcohol, who has been trained in the correct operation of this machine, and is wearing authorized, proper safety clothing. Any modification to the machine voids any warranty, and may cause harm to individuals using the machine or in the vicinity of the machine while in operation.**

### **CHECK PACKAGE UPON ARRIVAL**

Upon receipt of an Omcan shipment please inspect for external damage. If no damage is evident on the external packaging, open carton to ensure all ordered items are within the box, and there is no concealed damage to the machine. If the package has suffered rough handling, bumps or damage (visible or concealed), please note it on the bill of lading before accepting the delivery and contact Omcan within 24 hours, so we may initiate a claim with the carrier. A detailed report on the extent of the damage caused to the machine must be filled out within three days, from the delivery date shown in the shipping documents. Omcan has no recourse for damaged products that were shipped collect or third party.

**Before operating any equipment, always read and familiarize yourself with all operation and safety instructions.**

**Omcan would like to thank you for purchasing this machine. It's of the utmost importance to save these instructions for future reference. Also save the original box and packaging for shipping the equipment if servicing or returning of the machine is required.**

---

**Omcan Fabrication et distribution Compagnie Limitée et Food Machinery d'Amérique, dba Omcan et Omcan Inc. ne sont pas responsables de tout dommage ou blessure causé du fait que toute personne ait utilisé cet équipement de façon irrégulière. Le produit ne doit être exploité que par quelqu'un de plus de 18 ans, sain d'esprit, et pas sous l'influence d'une drogue ou d'alcool, qui a été formé pour utiliser cette machine correctement, et est vêtu de vêtements de sécurité appropriés. Toute modification de la machine annule toute garantie, et peut causer un préjudice à des personnes utilisant la machine ou des personnes à proximité de la machine pendant son fonctionnement.**

### **VÉRIFIEZ LE COLIS DÈS RÉCEPTION**

Dès réception d'une expédition d'Omcan veuillez inspecter pour dommages externes. Si aucun dommage n'est visible sur l'emballage externe, ouvrez le carton afin de s'assurer que tous les éléments commandés sont dans la boîte, et il n'y a aucun dommage dissimulé à la machine. Si le colis n'a subi aucune mauvaises manipulations, de bosses ou de dommages (visible ou cachée), notez-le sur le bond de livraison avant d'accepter la livraison et contactez Omcan dans les 24 heures qui suivent, pour que nous puissions engager une réclamation auprès du transporteur. Un rapport détaillé sur l'étendue des dommages causés à la machine doit être rempli dans un délai de trois jours, à compter de la date de livraison indiquée dans les documents d'expédition. Omcan n'a aucun droit de recours pour les produits endommagés qui ont été expédiés ou cueillis par un tiers transporteur.

**Avant d'utiliser n'importe quel équipement, toujours lire et vous familiariser avec toutes les opérations et les**



## General Information

---

consignes de sécurité.

Omcan voudrais vous remercier d'avoir choisi cette machine. Il est primordial de conserver ces instructions pour une référence ultérieure. Également conservez la boîte originale et l'emballage pour l'expédition de l'équipement si l'entretien ou le retour de la machine est nécessaire.

---

Omcan Empresa De Fabricacion Y Distribucion Inc. Y Maquinaria De Alimentos De America, Inc. dba Omcan y Omcan Inc. no son responsables de ningun daño o perjuicio causado por cualquier persona inadecuada o el uso descuidado de este equipo. El producto solo podra ser operado por una persona mayor de 18 años, en su sano juicio y no bajo alguna influencia de droga o alcohol, y que este ha sido entrenado en el correcto funcionamiento de esta máquina, y ésta usando ropa apropiada y autorizada. Cualquier modificación a la máquina anula la garantía y puede causar daños a las personas usando la máquina mientras esta en el funcionamiento.

### REVISE EL PAQUETE A SU LLEGADA

Tras la recepcion de un envio Omcan favor inspeccionar daños externos. Si no hay daños evidentes en el empaque exterior, Habra el carton para asegurarse que todos los articulos solicitados estén dentro de la caja y no encuentre daños ocultos en la máquina. Si el paquete ha sufrido un manejo de poco cuidado, golpes o daños (visible o oculto) por favor anote en la factura antes de aceptar la entrega y contacte Omcan dentro de las 24 horas, de modo que podamos iniciar una reclamación con la compañía. Un informe detallado sobre los daños causados a la máquina debe ser llenado en el plazo de tres días, desde la fecha de entrega que se muestra en los documentos de envío. Omcan no tiene ningun recurso por productos dañados que se enviaron a recoger por terceros.

**Antes de utilizar cualquier equipo, siempre lea y familiarizarse con todas las instrucciones de funcionamiento y seguridad.**

Omcan le gustaría darle las gracias por la compra de esta máquina. Es de la mayor importancia para salvar estas instrucciones para futuras consultas. Además, guarda la caja original y el embalaje para el envío del equipo si servicio técnico o devolución de la máquina que se requiere.

## Safety and Warranty

---

### HANDLING AND INSTALLATION

<b>Handle with care</b> Unplug wall socket before moving. Never tilt the refrigerator over 45 degrees during handling.	<b>Storage</b> Always store the refrigerator in a dry place.
---	---

# Safety and Warranty

<p><b>Sufficient space</b> To allow for proper air circulation and increased refrigeration capabilities, the refrigerator must have at least 4 inches of space between wall and unit.</p>	<p><b>Proper ventilation</b> Always place the refrigerator in an area with good ventilation. For first time use, wait at least 2 hours before plugging into wall socket.</p>
<p><b>Away from heat source</b> Never place the refrigerator near any type of heat source or in direct sunlight, as it reduces refrigeration capabilities.</p>	<p><b>No heavy load</b> Never put heavy items on top of the refrigerator.</p>
<p><b>No alterations/tampering</b> Never tamper with or make changes to the refrigerator. Changes and add-ons should not be installed to the inside or outside of the refrigerator.</p>	<p><b>Stable location</b> Unpack and place the refrigerator on flat, solid ground.</p>

## PREPARATION AND POWER SUPPLY

<p><b>Exclusive power outlet</b> Power supply should be 110-120V, single phase AC with exclusive single phase three pin outlet (250V/10A) and fuse (6A). The power outlet must be in close proximity to the ground.</p>	<p><b>No shared power outlets</b> Refrigerator cable should never share the power outlet with any other appliance, as cable will overheat and may result in a fire.</p>
<p><b>Protect cables</b> Extra caution should be used when handling cables, as broken or damaged cables can cause sparking and may result in a fire.</p>	<p><b>No water flushing</b> Never flush the refrigerator surface. This can cause leakage, which may result in electrical damage or fire.</p>
<p><b>Never store flammables and explosives</b> No explosives or flammables should be stored in, or in proximity to, the refrigerator, such as gasoline, alcohol, and adhesives.</p>	<p><b>No spray</b> Never spray flammables such as paint or coating near the refrigerator. This may cause fire or malfunction.</p>
<p><b>After power outage</b> After a power outage or the unplugging of the refrigerator, wait at least 5 minutes before plugging it back in.</p>	<p><b>No medicine</b> Medicine should not be stored inside of the refrigerator.</p>

**RESIDENTIAL USERS: vendor assumes no liability for parts or labor coverage for component failure or other damages resulting from installation in non-commercial or residential applications. The right is reserved to deny shipment for residential usage; if this occurs, you will be notified as soon as possible.**

### 2 YEARS PARTS AND LABOUR & 5 YEARS PARTS ONLY ON COMPRESSOR WARRANTY

Within the warranty period, contact Omcan Inc. at 1-800-465-0234 to schedule an Omcan authorized service technician to repair the equipment locally.



## Safety and Warranty

Unauthorized maintenance will void the warranty. Warranty covers electrical and part failures, not improper use.

Please see <https://omcan.com/disclaimer> for complete info.

### WARNING:

The packaging components are classified as normal solid urban waste and can therefore be disposed of without difficulty.

In any case, for suitable recycling, we suggest disposing of the products separately (differentiated waste) according to the current norms.

**DO NOT DISCARD ANY PACKAGING MATERIALS IN THE ENVIRONMENT!**

## Technical Specifications

Model	RS-CN-0072-R	RS-CN-0400-R	RS-CN-0100-R
Item Number	39552	40440	41466
Capacity	72 L / 2.54 cu.ft.	360 L / 12.71 cu.ft.	100 L / 3.53 cu.ft.
Total Power Input	170 W	720 W	230 W
Electrical	110-120V / 60Hz / 1		
Rated Current	1.34 / 1.2A	6A	2.6A
Temperature Range	0 - 12°C / 32 - 53.6°F	2 - 8°C / 35.6 - 46.4°F	
Max Ambient Temp Rating	24°C / 75°F		
Refrigerant	R290	R404a	R290
Lamp Power	1.5 W x 2	5 W x 2	6 W
Maximum Load	22 lbs. / 10 kgs.	88.2 lbs. / 40 kgs.	44.1 lbs. / 20 kgs.
Dimensions	17.7" x 17.7" x 38.7" 450 x 450 x 983mm	26.8" x 26.8" x 68.9" 681 x 681 x 1750mm	18.9" x 18.9" x 40.6" 480 x 480 x 1030mm
Packaging Dimensions	20" x 20" x 41" 508 x 508 x 1041mm	29.5" x 30.5" x 72" 749 x 775 x 1829mm	22.2" x 22.2" x 43.3" 565 x 565 x 1100mm
Weight	84.9 lbs. / 38.5 kgs.	275.6 lbs. / 125 kgs.	110.2 lbs. / 50 kgs.
Packaging Weight	90.4 lbs. / 41 kgs.	286.6 lbs. / 130 kgs.	121.3 lbs. / 55 kgs.

# Operation

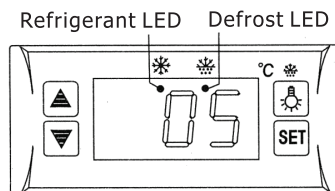
The device is installed with an enclosed compressor with refrigerant R290/R404a which has been indicated as an environmentally friendly agent. The product is operated under an air cooling system, maintaining the body temperature evenly.

1. Double hollow transparent glasses are used on the door and body, it features an artistic and elegant appearance, perfect perspective and easy access.
2. The device is commonly for commercial use, such as restaurants, convenience stores, clubs, ect.

## BEFORE USE

- Plug refrigerator into the 110-120V exclusive socket.
- After the refrigerator is running, confirm that air suction/filtration is in order and that it is sufficiently cold. After checking to make sure the refrigerator is working properly, it may be used.

## DIGITAL TEMPERATURE CONTROLLER



## FEATURES OF FUNCTION

- Small, integrated digital controller, which is applicable to the compressor of 1 Hp.
- Main functions are: temperature display/temperature control/manual-automatic/light control/value storing/self-testing/parameter locking.

## FRONT PANEL OPERATION

3. Set temperature: press **SET** button; set temperature will be displayed. Press **▲** or **▼** button to modify and store the displayed value. Press **SET** button to exit the adjustment and display the cold-room temperature.
4. If no button is pressed within 10 seconds, the cold-room temperature will be displayed.
5. Lighting: press **☞** button to activate light in refrigerator; press again to turn off. Manual start/stop defrost: press **☞** button and hold for 6 seconds to either defrost or to stop defrost.
6. Refrigeration LED: during refrigeration, the LED is on. When the cold room temperature is constant, the LED is off. During delay start, the LED flashes.
7. Defrost LED: during defrosting, the LED is on. When it stops defrosting, the LED is off. During the delay of defrost, the LED flashed.

## CAUTION

- Minimizing time the time and frequency that the door is open will maintain temperature.
- Never block the air outlet and suction to keep the air circulation and refrigeration capability constant.



## Operation

---

- Do not overfill refrigerator with food, as it will influence the cooling effect. If needed, adjust the rack height for proper food storage.
- Cool down hot food to room temperature before placing inside the refrigerator.
- When power supply has been cut off, reduce opening times and maintain cool temperature in refrigerator.
- To avoid scalding, never touch the compressor.
- If the supply cord is damaged, it must be replaced by the manufacturer, its service agent, or similarly qualified persons in order to avoid hazard.
- This appliance is not intended for use by persons (including children) with reduced physical, sensory or mental capabilities, or lack of experience and knowledge, unless they have been given supervision or instruction concerning use of the appliance by a person responsible for their safety.
- Children should be supervised to ensure that they do not play with the appliance.

## Maintenance

---

1. Cabinet cleaning:
  - a. The product should be maintained and cleaned periodically with power supply disconnected. In cleaning, please use mild-rinsing water or non-corrosive products. Do not wash directly with water faucet.
  - b. Clean outside of unit using a soft cloth with neutral detergent, and dry with a separate soft cloth.
  - c. Clean inside racks by removing them from the unit and clean with water.
2. When shutting down unit for a long period of time, take out all food and unplug wall socket. Clean inside and outside thoroughly, and keep door open to sufficiently dry.
3. As glass breaks easily, keep far away from children.
4. Frequently observe the operation of the product. In case of any abnormal noise or smell, cut off the power supply immediately and call professionals. Do not restart the product before source of trouble is found.
5. We will not be responsible for any accidents acquired through failure to follow previous notices.

## Troubleshooting

---

Trouble	Cause and Remedy
No refrigeration.	Is the plug securely in the socket?
	Is the fuse broken?
	Is there no power?

# Troubleshooting

Poor refrigeration.	Is it under sunlight? Is there any heat source nearby?
	Is the surrounding ventilation poor?
	Is the door seal strip deformed or damaged?
	Is the food congested or is there too much food?
	Does food block the air suction or outlet?
	Regulate the temperature controller.
Noisy.	The refrigerator is not level.
	The refrigerator is making contact with the wall or other objects.
	There is a loose part in the refrigerator.
Contact Omcan for help if simple trouble shooting does not solve the problems.	

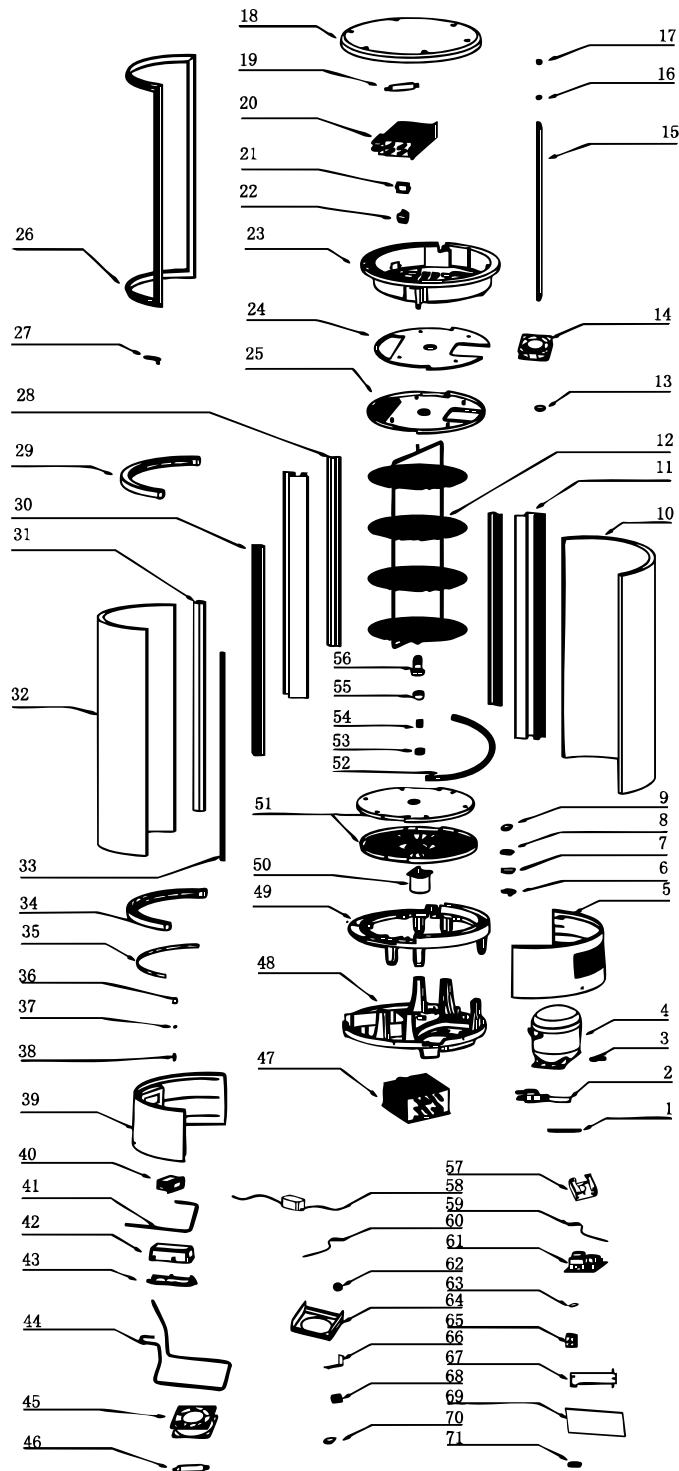
## NOTE

### Following occurrences are not problems:

- The murmur of water is heard when the refrigerator is working. It is a normal occurrence as the coolant is circulating in the system.
- When the weather is damp, condensation might be found on the outside of the refrigerator. It is caused by high humidity. Simply use cloth to wipe it off.

# Parts Breakdown

**Model RS-CN-0072-R 39552**



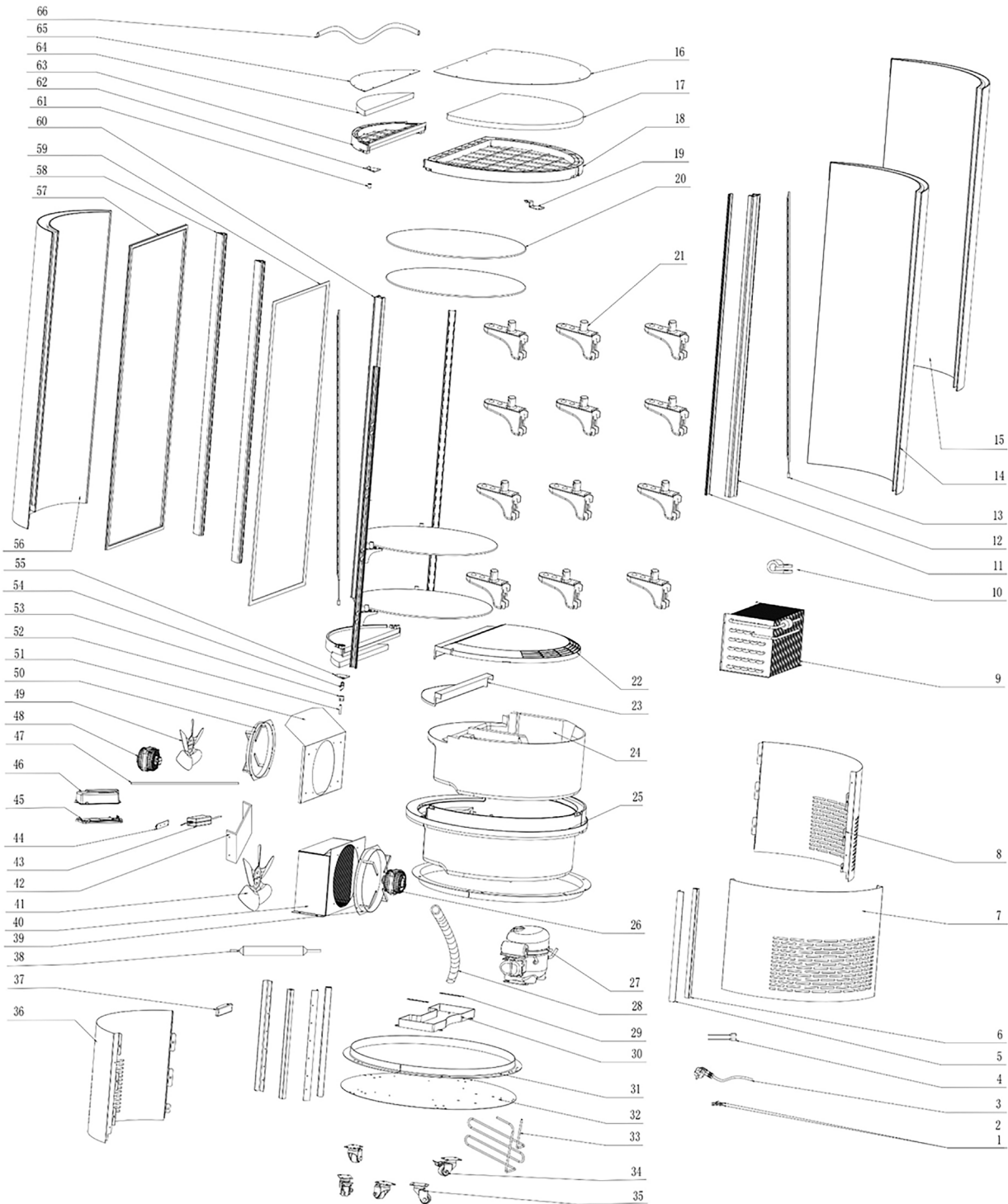
# Parts Breakdown

## Model RS-CN-0072-R 39552

Item No.	Description	Position	Item No.	Description	Position	Item No.	Description	Position
60143	Filling Pipe for 39552	1	71344	Door Gasket for 39552	26	71367	Fixed Tray for 39552	49
AA062	Power Cord for 39552	2	71345	Upper Gemel for 39552	27	71368	Motor for the Rotational Rack for 39552	50
61245	Wire Clamp Cover for 39552	3	71346	Pillar Decoration for 39552	28	71369	Bottom Cover of Fixed Tray for 39552	51
AH719	Compressor for 39552	4	71347	Upper Door Frame for 39552	29	71371	Seal for 39552	52
71324	Rear Base Panel for 39552	5	AT699	Door Handle Frame for 39552	30	71372	Plane Bearing for 39552	53
71325	Door Washer for 39552	6, 9	71349	Bottom Door Frame for 39552	31	71374	Lower Clutch for 39552	55
71326	Washer 1 for 39552	7, 13	71350	Door Glass for 39552	32	71375	Upper Clutch for 39552	56
71327	Washer 2 for 39552	8	71351	Side Magnetic Strip for 39552	33	AT701	Bracket for Motor of the Rotational Rack for 39552	57
71329	Rear Glass for 39552	10	71352	Bottom Door Frame for 39552	34	68356	LED Driver for 39552	58
71330	Pillar for 39552	11	71353	Magnetic Strip for 39552	35	AA049	Defrost Probe for 39552	59
71331	Rotate Shelf for 39552	12	71354	Bush for 39552	36	68332	Temperature Probe for 39552	60
71333	Fan Motor for Evaporator for 39552	14, 45	71355	Steel Ball for 39552	37	AP262	Main Circuit Board for 39552	61
71334	LED Lamp for 39552	15	30606	Door Pin for 39552	38	AJ425	Shelf Bearing for 39552	62
71335	Small Cap for 39552	16	71357	Front Panel for 39552	39	AT702	Glass Washer for 39552	63
30592	Screw Cover for 39552	17	AA082	Temperature Display for 39552	40	AT703	Protect Panel of Condenser for 39552	64
71337	Top Cover for 39552	18	AT700	Connection Pipe for 39552	41	AT704	Motor Clamp for 39552	66
71338	Evaporator for 39552	20	71360	Circuit Board Box for 39552	42	AT705	Support Plate for 39552	67
71339	Door Switch Unit for 39552	21	71361	Box Cover for 39552	43	AR549	Capacitance for 39552	68
60119	Switch for 39552	22, 54, 65	71362	Copper Pipe for 39552	44	AT706	Evaporator Holder Washer for 39552	69
71341	Evaporator Holder for 39552	23	30566	Dry Filter for 39552	46	AT707	Right Rear Washer of Fixed Tray for 39552	70
71342	Insulation Sheet for 39552	24	71365	Condenser for 39552	47	AT708	Middle Washer of Fixed Tray for 39552	71
71343	Ventilated Tray for 39552	25	71366	Bottom Base of Compressor for 39552	48			

# Parts Breakdown

## Model RS-CN-0400-R 40440



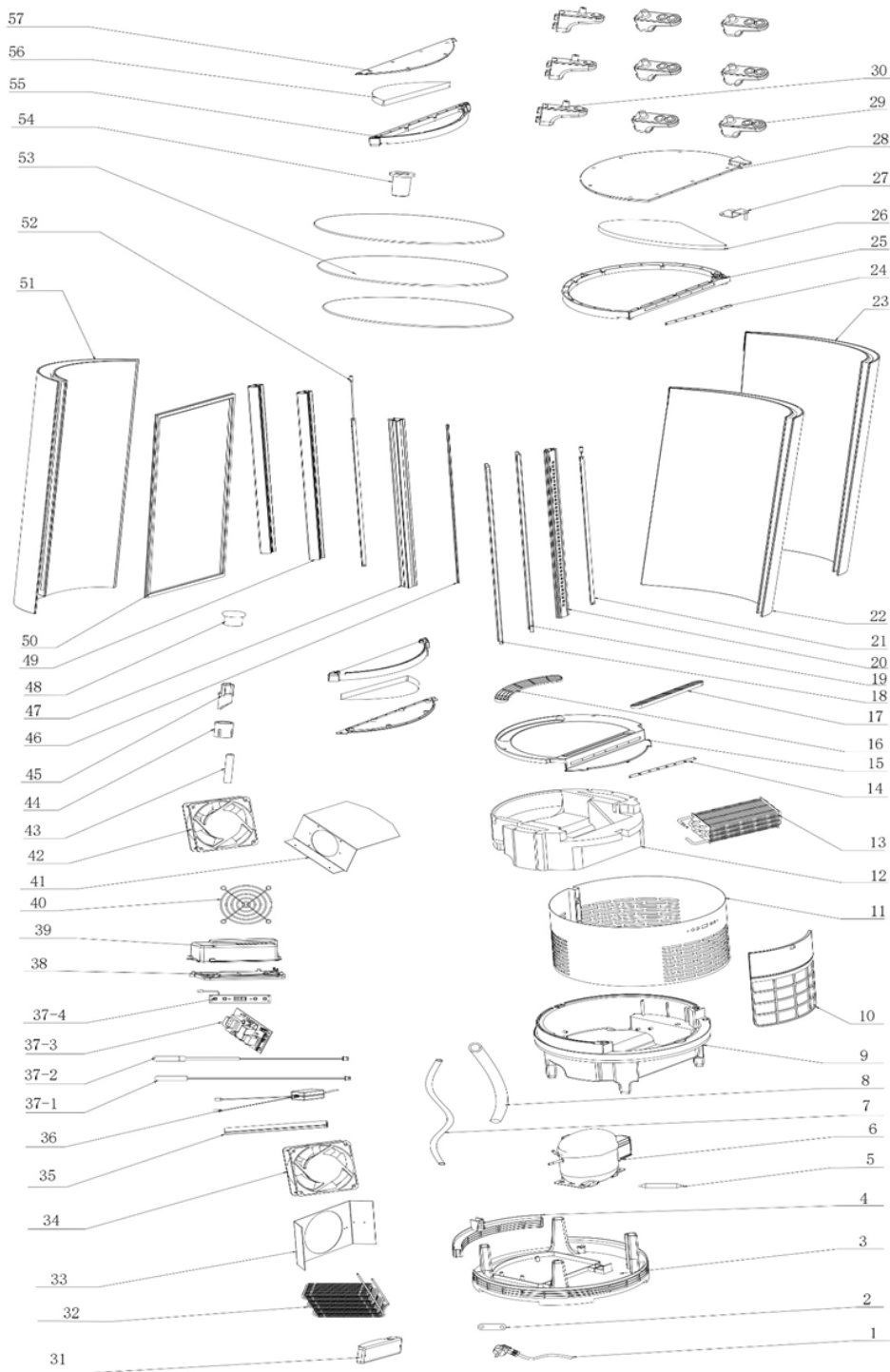
# Parts Breakdown

## Model RS-CN-0400-R 40440

Item No.	Description	Position	Item No.	Description	Position	Item No.	Description	Position
AT696	Line Clamp Plate for 40440	1	AT713	Plastic Base Cover for 40440	23	71297	Electron Control for 40440	44
AT709	Line Clamp Cover for 40440	2	AT714	Middle Insulation for 40440	24	71082	Thermostat Base for 40440	45
68198	Power Cord for 40440	3	71278	Plastic Base for 40440	25	71079	Thermostat Lid for 40440	46
71254	LED Cord for 40440	4	71279	Condenser Motor for 40440	26	AT718	Capillary for 40440	47
71255	Angle Iron for 40440	5	68199	Compressor for 40440	27	71137	Condenser Motor for 40440	48
71256	Trim Strip for 40440	6	71281	Drain Tube for 40440	28	71301	Evaporator Fan Blade for 40440	49
71257	Left Panel for 40440	7	71282	Fixer for 40440	29	71302	Evaporator Flange for 40440	50
71258	Right Panel for 40440	8	71089	Water Tray for 40440	30	71303	Evaporator Fixer for 40440	51
71259	Evaporator for 40440	9	71284	Angle Iron Flange for 40440	31	71304	Door Shaft for 40440	52
AT710	Line Clamp for 40440	10	AT715	Angle Plate for 40440	32	71305	Bottom Door Closer for 40440	53
AT711	Bracket Aluminum Strip for 40440	11	AT716	Muffler for 40440	33	71306	Top Door Closer for 40440	54
71262	Middle Pole for 40440	12	71288	Rear Caster for 40440	34	71307	Hinge Fixer for 40440	55
68208	Bottom LED for 40440	13	71287	Front Caster for 40440	35	71308	Door Glass for 40440	56
71264	Left Glass for 40440	14, 15	71289	Front Panel for 40440	36	71309	Door Seal for 40440	57
71266	Top Cover for 40440	16	71290	Displayer Cover for 40440	37	71310	Door Pole for 40440	58
71267	Top Insulation for 40440	17, 64	71083	Dryer Filter for 40440	38	AT719	Glass Fixed Block for 40440	59
71268	Top Plastic Cover for 40440	18	71136	Fan Bracket for 40440	39	71312	Side Pole for 40440	60
71269	Top Hinge Fixer for 40440	19, 62	71135	Condenser for 40440	40	71314	Hinge Sleeve for 40440	61
71270	Glass Shelf for 40440	20	71293	Fan Blade for 40440	41	71316	Door Frame for 40440	63
AT712	Shelf for 40440	21	AT717	Evaporator Connecting Plate for 40440	42	71318	Door Cover for 40440	65
71276	Ventilation Cover for 40440	22	AK203	4 LED Driver for 40440	43	71319	Water Tube for 40440	66

# Parts Breakdown

**Model RS-CN-0100-R 41466**



# Parts Breakdown

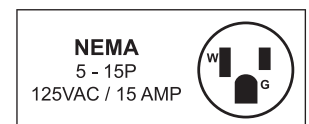
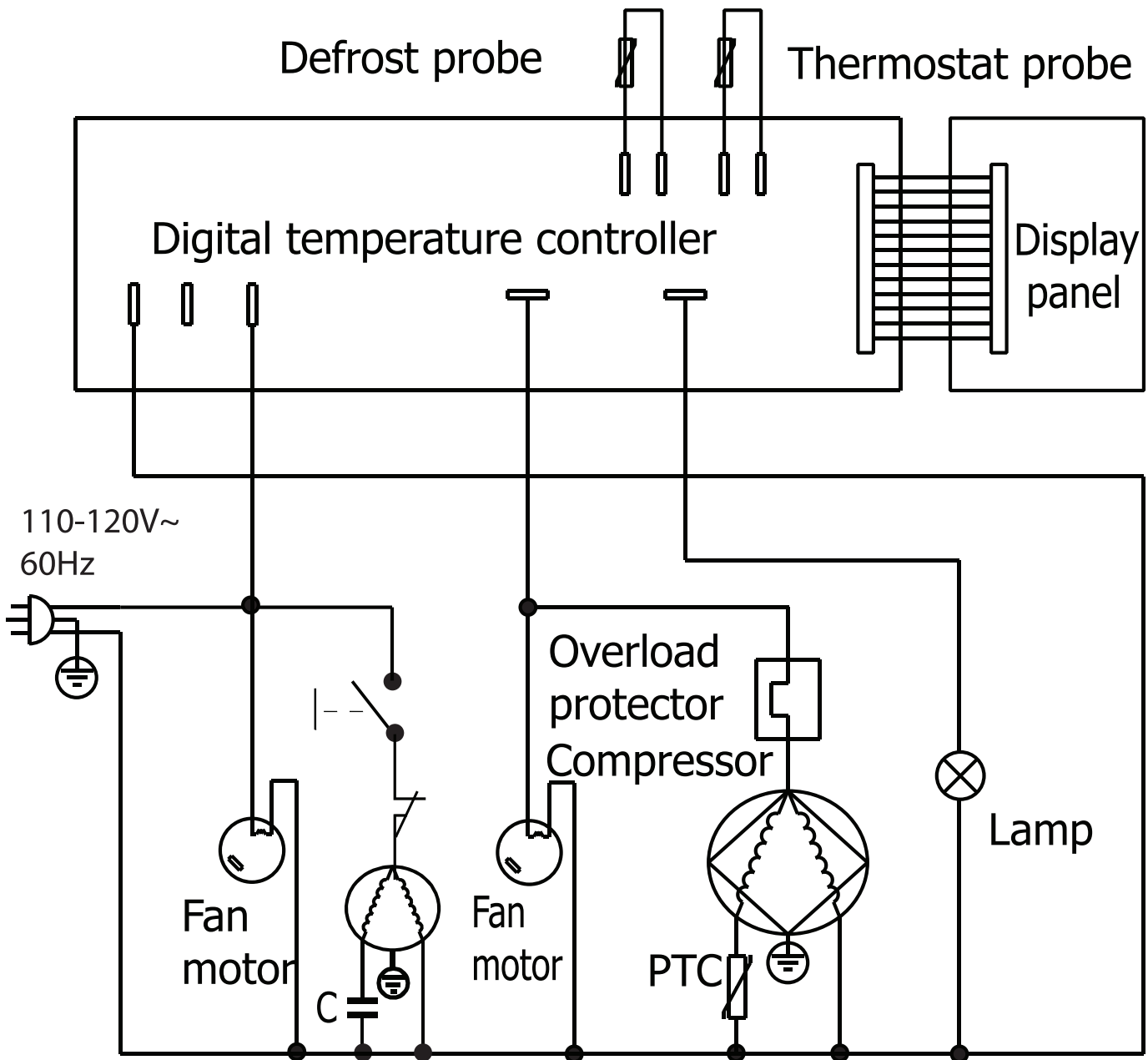
## Model RS-CN-0100-R 41466

Item No.	Description	Position	Item No.	Description	Position	Item No.	Description	Position
AE392	Power Cord for 41466	1	71210	Middle Pole for 41466	20	AT725	Temperature Display for 41466	37-4
AT697	Power Cord Fixer for 41466	2	71211	LED Light for 41466	21	71233	Controller Cover for 41466	38
71192	Plastic Base for 41466	3	71212	Left Glass for 41466	22, 23	71232	Base Panel of Controller for 41466	39
71193	Bottom Frame for 41466	4	71214	Horizontal Door Stopper for 41466	24	71234	Fan Net for 41466	40
71196	Dry Filter for 41466	5	71215	Top Plastic Cover for 41466	25	71235	Evaporator Fixer for 41466	41
71197	Compressor for 41466	6	71216	Top Insulation for 41466	26	71237	Lower Door Shaft for 41466	43
71198	Small Water Pipe for 41466	7	71217	Top Hinge Fixer for 41466	27	71238	Bottom Door Closer for 41466	44
71199	Large Water Pipe for 41466	8	71218	Top Cover for 41466	28	71239	Top Door Closer for 41466	45
71200	Plastic Base for 41466	9	71221	Bracket for 41466	29	71240	Vertical Door Stopper for 41466	46
71201	Filter Screen for 41466	10	AT721	Back Bracket for 41466	30	71241	Side Pole for 41466	47
71202	Round Frame for 41466	11	71223	Switch Cover for 41466	31	71243	Door Pole for 41466	49
71203	Middle Insulation for 41466	12	71224	Condenser for 41466	32	71244	Door Seal for 41466	50
71204	Evaporator for 41466	13	71225	Condenser Fixer for 41466	33	71245	Curved Door Glass for 41466	51
71205	Horizontal Door Stopper for 41466	14	AE352	Fan Motor for 41466	34, 42	AT726	LED Left for 41466	52
71206	Ventilation Cover for 41466	15	71228	Decorating Strip for 41466	35	71246	Put Aside Frame Glass for 41466	53
71207	Cover of Air Outlet for 41466	16	71230	LED Power for 41466	36	71247	Hinge Sleeve for 41466	54
71208	Cover of Air Suction for 41466	17	AT722	High-Temperature Probe for 41466	37-1	71248	Door Frame for 41466	55
71209	Left Decorating Pole for 41466	18	AT723	Defrost Probe for 41466	37-2	71249	Door Insulation for 41466	56
AT720	Right Decorating Pole for 41466	19	AT724	Temperature Probe for 41466	37-3	71250	Door Cover for 41466	57



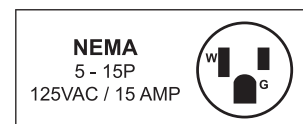
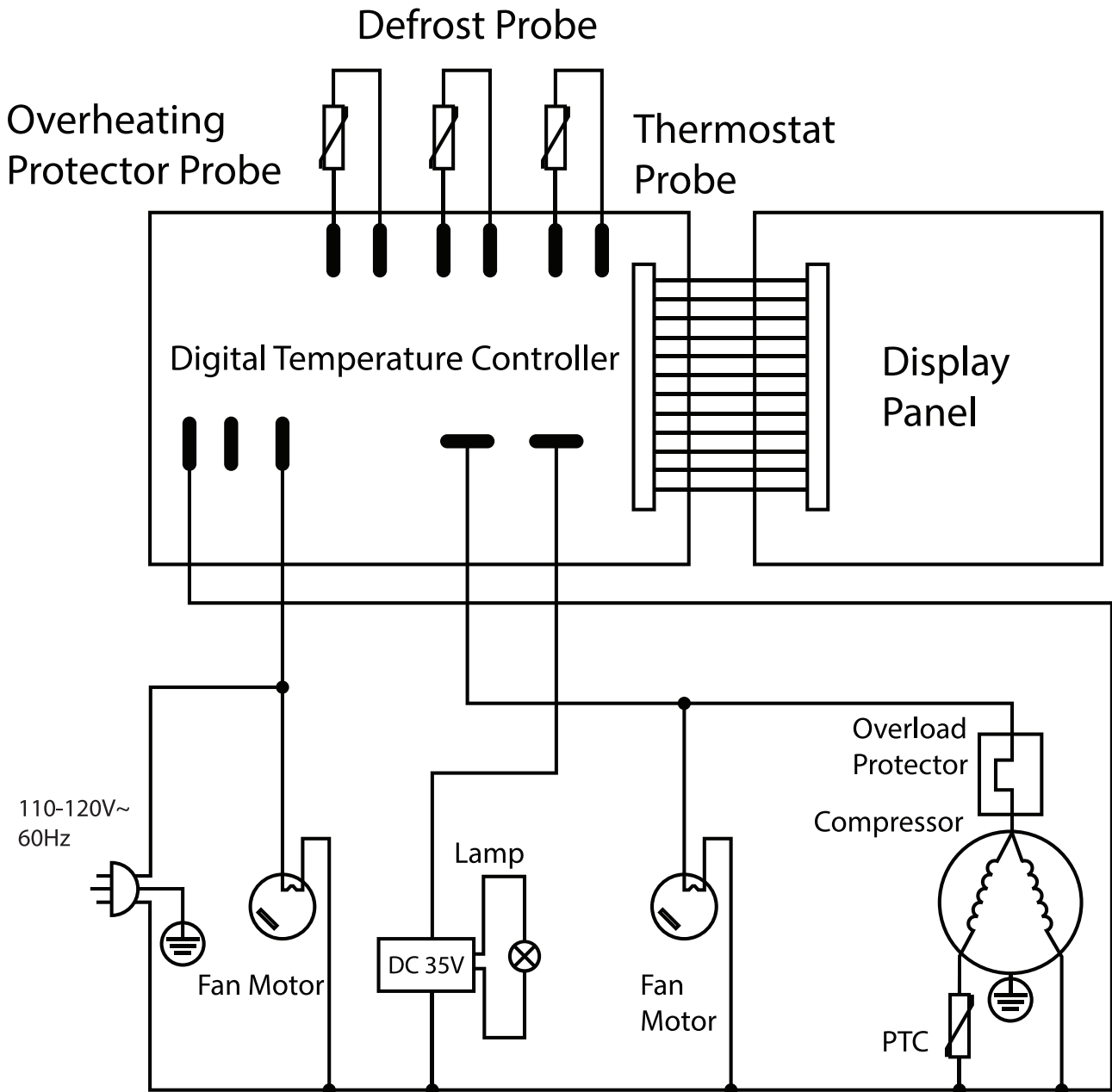
# Electrical Schematics

**Model RS-CN-0072-R** 39552



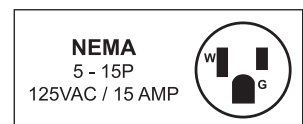
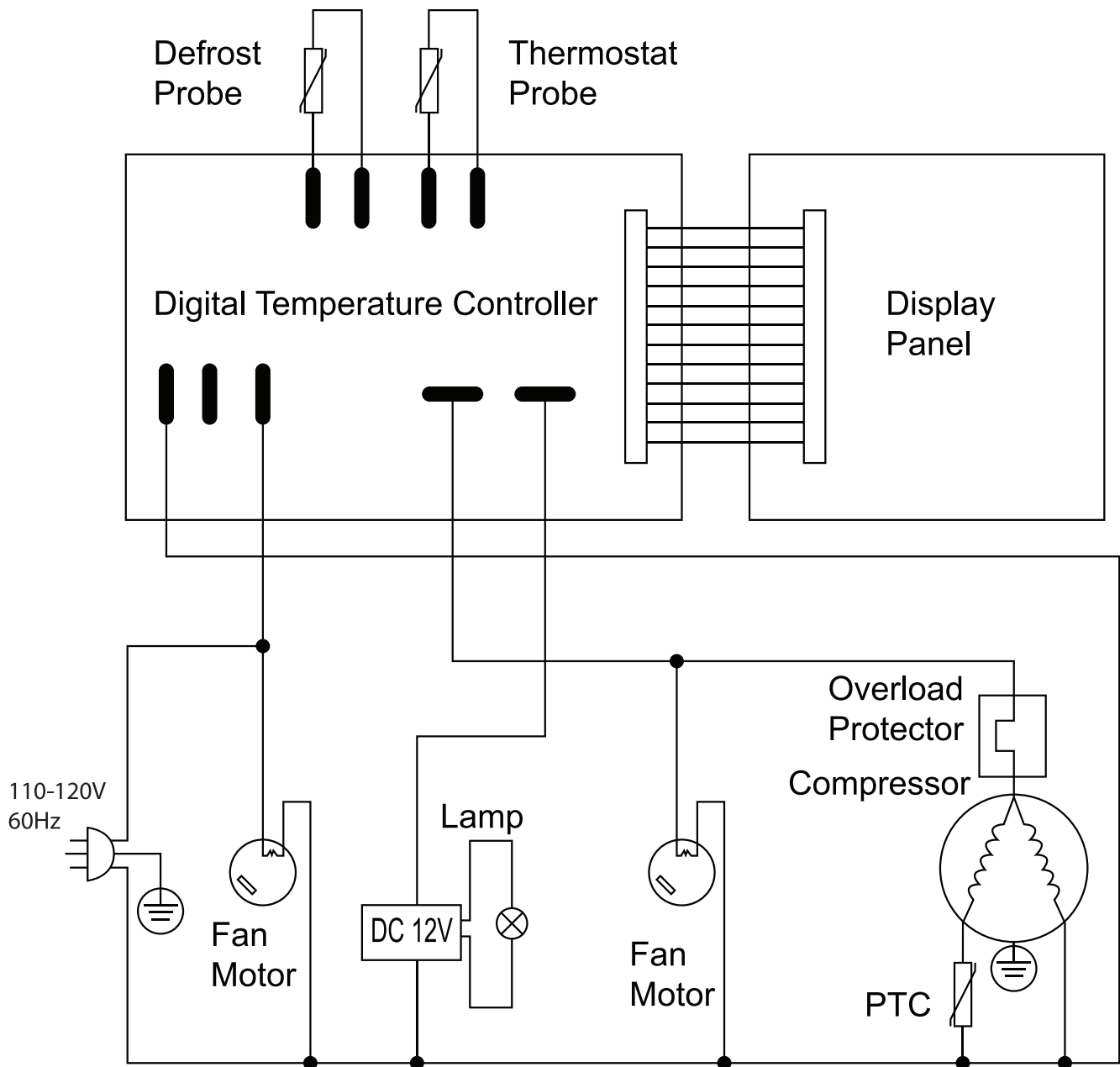
# Electrical Schematics

**Model RS-CN-0400-R** 40440



# Electrical Schematics

**Model RS-CN-0100-R** 41466











# Warranty Registration

Thank you for purchasing an Omcan product. To register your warranty for this product, complete the information below, tear off the card at the perforation and then send to the address specified below. You can also register online by visiting:

Merci d'avoir acheté un produit Omcan. Pour enregistrer votre garantie pour ce produit, complétez les informations ci-dessous, détachez la carte au niveau de la perforation, puis l'envoyer à l'adresse spécifiée ci-dessous. Vous pouvez également vous inscrire en ligne en visitant:

Gracias por comprar un producto Omcan usted. Para registrar su garantía para este producto, complete la información a continuación, cortar la tarjeta en la perforación y luego enviarlo a la dirección indicada a continuación. También puede registrarse en línea en:

<https://omcan.com/warranty-registration/>

For mailing in Canada

Pour postale au Canada

Por correo en Canadá

**OMCAN**

PRODUCT WARRANTY REGISTRATION

3115 Pepper Mill Court,  
Mississauga, Ontario  
Canada, L5L 4X5

For mailing in the US

Pour diffusion aux États-Unis

Por correo en los EE.UU.

**OMCAN**

PRODUCT WARRANTY REGISTRATION

4450 Witmer Industrial Estates, Unit 4,  
Niagara Falls, New York  
USA, 14305

*or email to: [service@omcan.com](mailto:service@omcan.com)*



Purchaser's Information

Name: \_\_\_\_\_

Address: \_\_\_\_\_

City: \_\_\_\_\_ Province or State: \_\_\_\_\_ Postal or Zip: \_\_\_\_\_

Country: \_\_\_\_\_

Dealer from which Purchased: \_\_\_\_\_

Dealer City: \_\_\_\_\_ Dealer Province or State: \_\_\_\_\_

Invoice: \_\_\_\_\_

Model Name: \_\_\_\_\_ Model Number: \_\_\_\_\_

Machine Description: \_\_\_\_\_

Date of Purchase (MM/DD/YYYY): \_\_\_\_\_

Would you like to extend the warranty?  Yes  No

Company Name: \_\_\_\_\_

Telephone: \_\_\_\_\_

Email Address: \_\_\_\_\_

Type of Company:

Restaurant  Bakery  Deli

Butcher  Supermarket  Caterer

Institution (*specify*): \_\_\_\_\_

Other (*specify*): \_\_\_\_\_

Serial Number: \_\_\_\_\_

Date of Installation (MM/DD/YYYY): \_\_\_\_\_

**Thank you for choosing Omcan | Merci d'avoir choisi Omcan | Gracias por elegir Omcan**



Since 1951 Omcan has grown to become a leading distributor of equipment and supplies to the North American food service industry. Our success over these many years can be attributed to our commitment to strengthen and develop new and existing relationships with our valued customers and manufacturers. Today with partners in North America, Europe, Asia and South America, we continually work to improve and grow the company. We strive to offer customers exceptional value through our qualified local sales and service representatives who provide convenient access to over 6,500 globally sourced products.

---

Depuis 1951 Omcan a grandi pour devenir un des "leaders" de la distribution des équipements et matériel pour l'industrie des services alimentaires en Amérique du Nord. Notre succès au cours de ces nombreuses années peut être attribué à notre engagement à renforcer et à développer de nouvelles et existantes relations avec nos clients et les fabricants de valeur. Aujourd'hui avec des partenaires en Amérique du Nord, Europe, Asie et Amérique du Sud, nous travaillons continuellement à améliorer et développer l'entreprise. Nous nous efforçons d'offrir à nos clients une valeur exceptionnelle grâce à nos ventes locales qualifiées et des représentants de service qui offrent un accès facile à plus de 6500 produits provenant du monde entier.

---

Desde 1951 Omcan ha crecido hasta convertirse en un líder en la distribución de equipos y suministros de alimentos en América del Norte industria de servicios. Nuestro éxito en estos años se puede atribuir a nuestro compromiso de fortalecer y desarrollar nuevas relaciones existentes con nuestros valiosos clientes y fabricantes. Hoy con socios de América del Norte, Europa, Asia y América del Sur, que trabajan continuamente para mejorar y crecer la empresa. Nos esforzamos por ofrecer a nuestros clientes valor excepcional a través de nuestro local de ventas y representantes de los servicios que proporcionan un fácil acceso a más de 6,500 productos con origen a nivel mundial.

