



Display Warmers

Models DW-CN-0025-L, 0045-L, 0080-L, 0115-L
Items 41868, 41870, 41872, 41873

Instruction Manual



Revised - 03/07/2024



Toll Free: 1-800-465-0234
Fax: 905-607-0234
Email: service@omcan.com
www.omcan.com



Table of Contents

Model DW-CN-0025-L / Model DW-CN-0045-L
Model DW-CN-0080-L / Model DW-CN-0115-L

Section	Page
General Information -----	3 - 4
Safety and Warranty -----	4 - 5
Technical Specifications -----	6
Installation and Operation -----	6 - 7
Maintenance -----	7
Parts Breakdown -----	8 - 13
Electrical Schematics -----	14 - 15
Notes -----	16 - 18
Warranty Registration -----	19



General Information

Omcan Manufacturing and Distributing Company Inc., Food Machinery of America, Inc. dba Omcan and Omcan Inc. are not responsible for any harm or injury caused due to any person's improper or negligent use of this equipment. The product shall only be operated by someone over the age of 18, of sound mind, and not under the influence of any drugs or alcohol, who has been trained in the correct operation of this machine, and is wearing authorized, proper safety clothing. Any modification to the machine voids any warranty, and may cause harm to individuals using the machine or in the vicinity of the machine while in operation.

CHECK PACKAGE UPON ARRIVAL

Upon receipt of an Omcan shipment please inspect for external damage. If no damage is evident on the external packaging, open carton to ensure all ordered items are within the box, and there is no concealed damage to the machine. If the package has suffered rough handling, bumps or damage (visible or concealed), please note it on the bill of lading before accepting the delivery and contact Omcan within 24 hours, so we may initiate a claim with the carrier. A detailed report on the extent of the damage caused to the machine must be filled out within three days, from the delivery date shown in the shipping documents. Omcan has no recourse for damaged products that were shipped collect or third party.

Before operating any equipment, always read and familiarize yourself with all operation and safety instructions.

Omcan would like to thank you for purchasing this machine. It's of the utmost importance to save these instructions for future reference. Also save the original box and packaging for shipping the equipment if servicing or returning of the machine is required.

Omcan Fabrication et distribution Compañie Limité et Food Machinery d'Amérique, dba Omcan et Omcan Inc. ne sont pas responsables de tout dommage ou blessure causé du fait que toute personne ait utilisé cet équipement de façon irrégulière. Le produit ne doit être exploité que par quelqu'un de plus de 18 ans, saine d'esprit, et pas sous l'influence d'une drogue ou d'alcool, qui a été formé pour utiliser cette machine correctement, et est vêtu de vêtements de sécurité approprié. Toute modification de la machine annule toute garantie, et peut causer un préjudice à des personnes utilisant la machine ou des personnes à proximité de la machine pendant son fonctionnement.

VÉRIFIEZ LE COLIS DÈS RÉCEPTION

Dès réception d'une expédition d'Omcan veuillez inspecter pour dommages externes. Si aucun dommage n'est visible sur l'emballage externe, ouvrez le carton afin de s'assurer que tous les éléments commandés sont dans la boîte, et il n'y a aucun dommage dissimulé à la machine. Si le colis n'a subi aucune mauvaises manipulations, de bosses ou de dommages (visible ou cachée), notez-le sur le bond de livraison avant d'accepter la livraison et contactez Omcan dans les 24 heures qui suivent, pour que nous puissions engager une réclamation auprès du transporteur. Un rapport détaillé sur l'étendue des dommages causés à la machine doit être rempli dans un délai de trois jours, à compter de la date de livraison indiquée dans les documents d'expédition. Omcan n'a aucun droit de recours pour les produits endommagés qui ont été expédiées ou cueilli par un tiers transporteur.

General Information

Avant d'utiliser n'importe quel équipement, toujours lire et vous familiariser avec toutes les opérations et les consignes de sécurité.

Omcan voudrais vous remercier d'avoir choisi cette machine. Il est primordial de conserver ces instructions pour une référence ultérieure. Également conservez la boîte originale et l'emballage pour l'expédition de l'équipement si l'entretien ou le retour de la machine est nécessaire.

Omcan Empresa De Fabricacion Y Distribucion Inc. Y Maquinaria De Alimentos De America, Inc. dba Omcan y Omcan Inc. no son responsables de ningun daño o perjuicio causado por cualquier persona inadecuada o el uso descuidado de este equipo. El producto solo podra ser operado por una persona mayor de 18 años, en su sano juicio y no bajo alguna influencia de droga o alcohol, y que este ha sido entrenado en el correcto funcionamiento de esta máquina, y ésta usando ropa apropiada y autorizada. Cualquier modificación a la máquina anula la garantía y puede causar daños a las personas usando la máquina mientras esta en el funcionamiento.

REVISE EL PAQUETE A SU LLEGADA

Tras la recepcion de un envio Omcan favor inspeccionar daños externos. Si no hay daños evidentes en el empaque exterior, Habra el carton para asegurarse que todos los articulos solicitados estén dentro de la caja y no encuentre daños ocultos en la máquina. Si el paquete ha sufrido un manejo de poco cuidado, golpes o daños (visible o oculto) por favor anote en la factura antes de aceptar la entrega y contacte Omcan dentro de las 24 horas, de modo que podamos iniciar una reclamación con la compañía. Un informe detallado sobre los daños causados a la máquina debe ser llenado en el plazo de tres días, desde la fecha de entrega que se muestra en los documentos de envío. Omcan no tiene ningun recurso por productos dañados que se enviaron a recoger por terceros.

Antes de utilizar cualquier equipo, siempre lea y familiarizarse con todas las instrucciones de funcionamiento y seguridad.

Omcan le gustaría darle las gracias por la compra de esta máquina. Es de la mayor importancia para salvar estas instrucciones para futuras consultas. Además, guarda la caja original y el embalaje para el envío del equipo si servicio técnico o devolución de la máquina que se requiere.

Safety and Warranty

- To prevent hazards and to ensure optimum efficiency, no modifications or alterations to the device that are not explicitly approved by the manufacturer may be undertaken.
- The device should be never left unattended during operation. Keep the device away from children.
- Keep this manual in a safe location. When passing on/selling the device to a third party, the manual must be handed over along with the device.
- Every person using the device must follow the safety warnings in this manual at all times.
- The device is to be used indoors only.



Safety and Warranty

- Any technical service, including assembly and maintenance are to be made by a qualified Omcan service technician only.
- This appliance is not intended for use by persons (including children) with reduced physical, sensory or mental capabilities, or lack of experience and knowledge, unless they have been given supervision or instruction concerning use of the appliance by a person responsible for their safety.
- Children should be supervised to ensure that they do not play with the appliance.

This device may only be operated in technically proper and safe condition.

Exclusive power socket The power receptacle must have a reliable grounded connection.	No share on socket Never let the device share the common socket with other appliance, otherwise the cable becomes hot and fire might be resulted.
Protect cables Never break or damage the cables otherwise current leakage and fire might be resulted.	No water flushing Never give the device surface a flush otherwise current leakage might be resulted.
Prevent from flammables and explosive Never put any flammable or explosive inside the device such as ether, gasoline, alcohol, adhesive and explosive. Never put dangerous product nearby the device.	

RESIDENTIAL USERS: vendor assumes no liability for parts or labor coverage for component failure or other damages resulting from installation in non-commercial or residential applications. The right is reserved to deny shipment for residential usage; if this occurs, you will be notified as soon as possible.

1 YEAR PARTS AND LABOR BENCH WARRANTY

Within the warranty period, contact Omcan Inc. at 1-800-465-0234 to schedule a drop off to either an Omcan authorized service depot in the area, or to an Omcan Service warehouse to repair the equipment.

Unauthorized maintenance will void the warranty. Warranty covers electrical and part failures, not improper use.

Please see <https://omcan.com/disclaimer> for complete info.

WARNING:

The packaging components are classified as normal solid urban waste and can therefore be disposed of without difficulty.

In any case, for suitable recycling, we suggest disposing of the products separately (differentiated waste) according to the current norms.

DO NOT DISCARD ANY PACKAGING MATERIALS IN THE ENVIRONMENT!

Technical Specifications

Model	DW-CN-0025-L	DW-CN-0045-L	DW-CN-0080-L	DW-CN-0115-L
Temperature Range	30 - 90°C / 86 - 194°F			
Storage Volume	25 L / 0.88 cu.ft.	45 L / 1.58 cu.ft.	80 L / 2.82 cu.ft.	115 L / 4.06 cu.ft.
Rated Input Power	800 W		1000 W	1300 W
Grade of Waterproof	IPX4			
Electrical	110-120V / 60Hz / 1			
Net Weight	26.5 lbs. / 12 kgs.	30.9 lbs. / 14 kgs.	35.7 lbs. / 16.2 kgs.	43.4 lbs. / 19.7 kgs.
Packaging Weight	30.9 lbs. / 14 kgs.	36.4 lbs. / 16.5 kgs.	85 lbs. / 38.6 kgs.	89 lbs. / 40.4 kgs.
Net Dimensions	21.8" x 14.8" x 12.2" 554 x 376 x 311mm	21.8" x 14.8" x 14.8" 554 x 376 x 376mm	27.6" x 15.7" x 14.8" 700 x 400 x 376mm	27.6" x 15.7" x 19.7" 700 x 400 x 500mm
Packaging Dimensions	18" x 25" x 14.5" 457 x 635 x 368mm	18" x 25" x 17" 457 x 635 x 432mm	30.8" x 19" x 16.6" 782 x 482 x 422mm	30.8" x 19" x 21.6" 782 x 482 x 548mm
Item Number	41868	41870	41872	41873

Installation and Operation

INSTALLATION

- Place the device on top of an even and stable surface which supports the weight of the device and is not heat sensitive.
- At no time should you place the device on an inflammable surface (such as table cloth, carpet, ect).
- You must not position the device near an open fireplace, electric oven/arc furnace/electric heater or other heat sources.
- Position the device in such a way that the plug is easily accessible.

OPERATION

- Before the first use, clean the inner sides and the placing grids with a soft cloth and a mild cleaning agent. Afterwards, dry the device thoroughly.
- Remove the water bowl from the device and fill it.
- Connect the device to a single grounded power socket.
- Set the temperature as required for respective foods. You may adjust the desired temperature in the range between 30 - 90°C.
- The temperature inside of the hot display can be read from the front display.
- Put the foods in appropriate containers before placing them inside the hot display and shut it by using the

Installation and Operation

sliding door.

- Some of the parts can become very hot, always use safety gloves when placing or removing foods.
- The food is kept warm at the temperature set by you previously.
- In order to place or remove foods, you may open the door on the back of the unit.
- The inner light can be turned on at any time by using the light switch on the device.
- Disconnect the device from the power socket when the device is not in use.

Maintenance

- Before starting any repair or cleaning, make sure the device has been disconnected from the power socket and has cooled down completely.
- Don't use any acidic agents and make sure no water enters the device.
- To protect yourself from electric shock, never immerse the device, its cables or the plug in water or other liquids.
- Do not use a pressured water jet to clean.

CLEANING

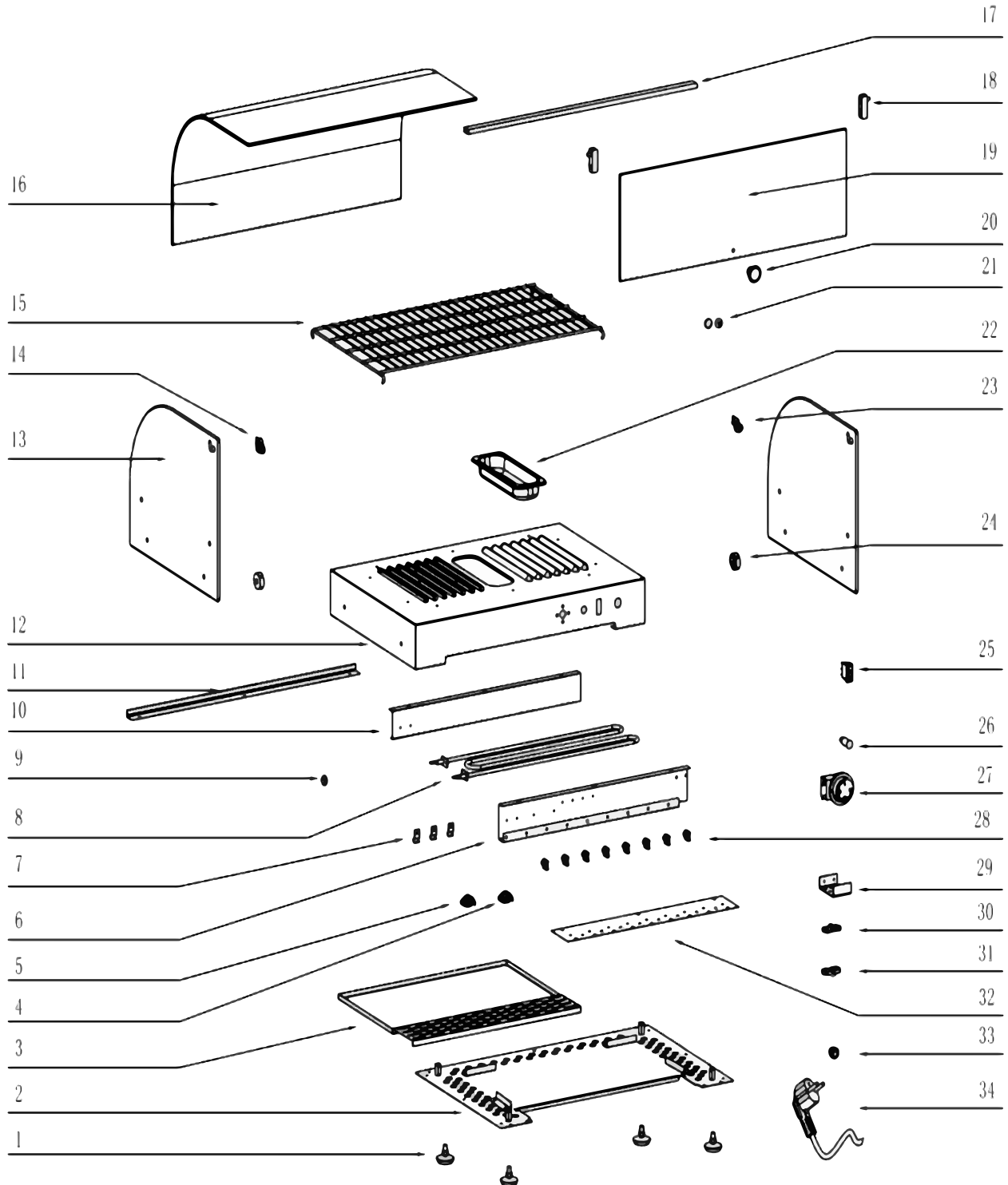
- The device should be cleaned regularly.
- Clean the unit and placing grids with a soft, damp cloth and a mild cleaning agent.
- Clean the water bowl regularly. Calcifications on the water bowl may be removed with common agents or liquids.
- Only use a soft cloth and make sure you never use any kind of abrasive agents or pads which could scratch the surface.
- After the cleaning procedure, you should use a soft and dry cloth to wipe the surface.
- Make sure the device has been cleaned properly before storing it in a dry place.

MAINTENANCE

- Check the main power cable from time to time to ensure it is not damaged in any way. Never use the device if it is damaged. If the power cable is damaged, it must be replaced by a qualified electrician.
- Only a qualified technician should carry out repairs and maintenance of the device. Do not attempt to repair the device by yourself.

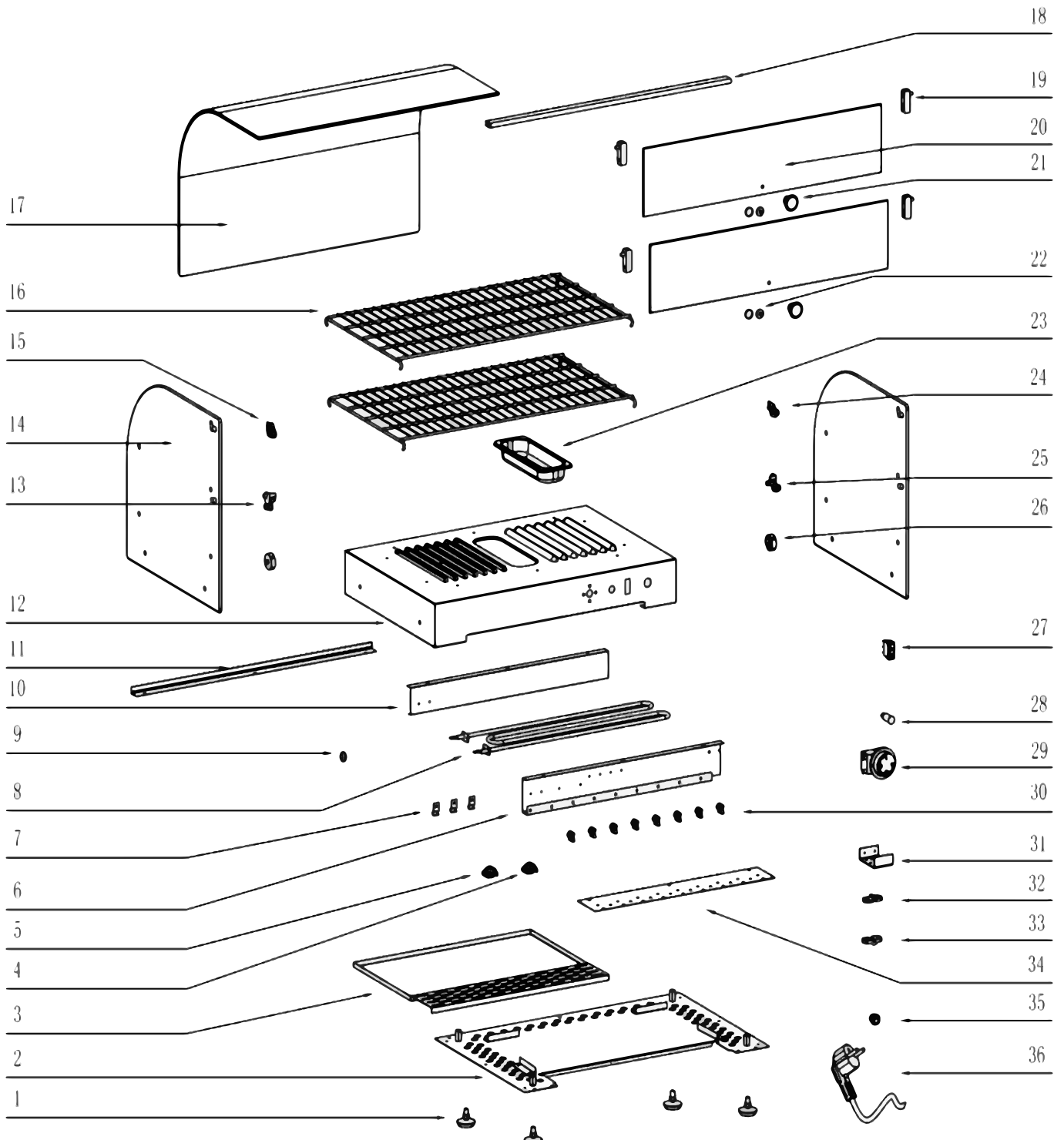
Parts Breakdown

Model DW-CN-0025-L 41868



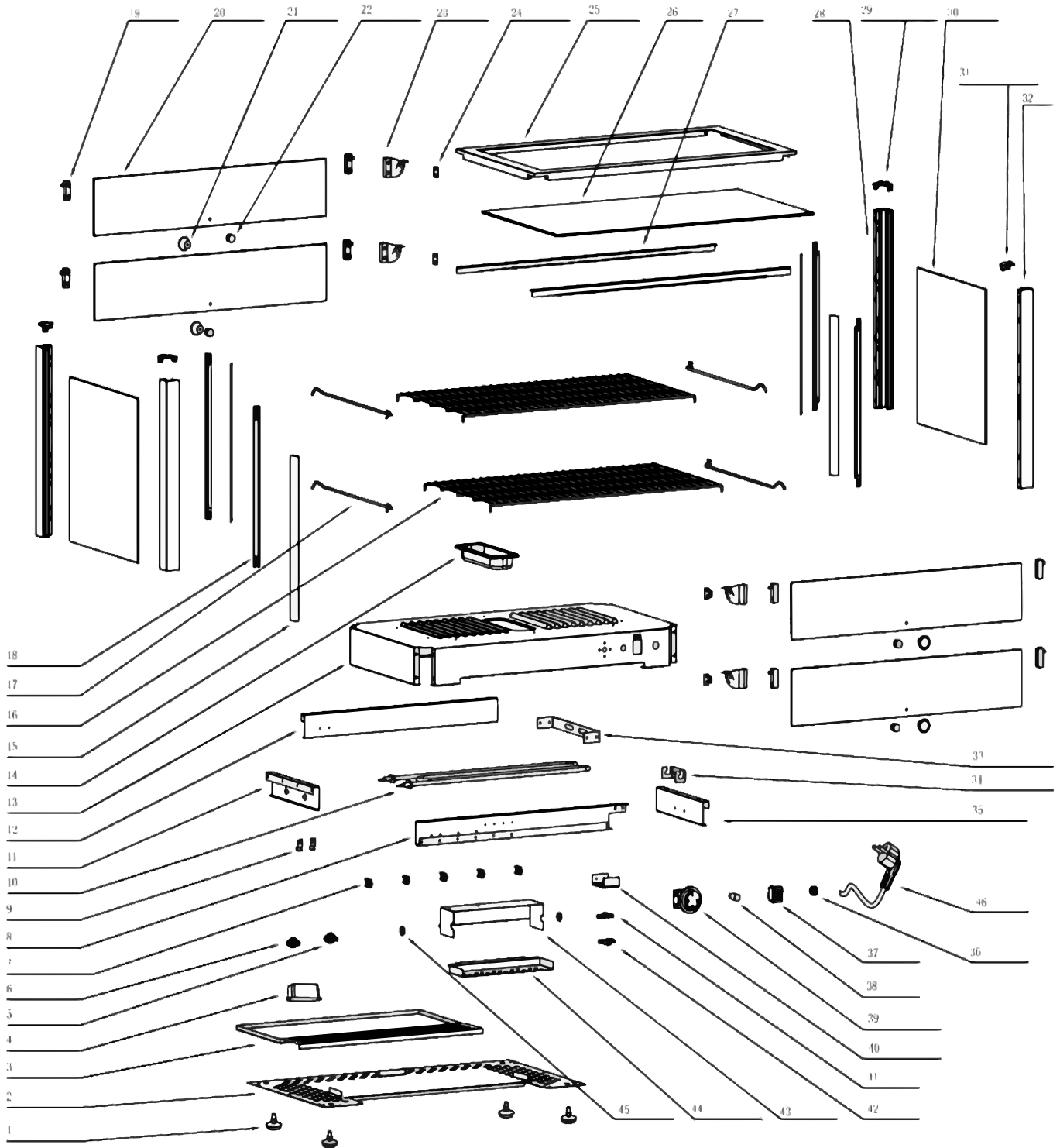
Parts Breakdown

Model DW-CN-0045-L 41870



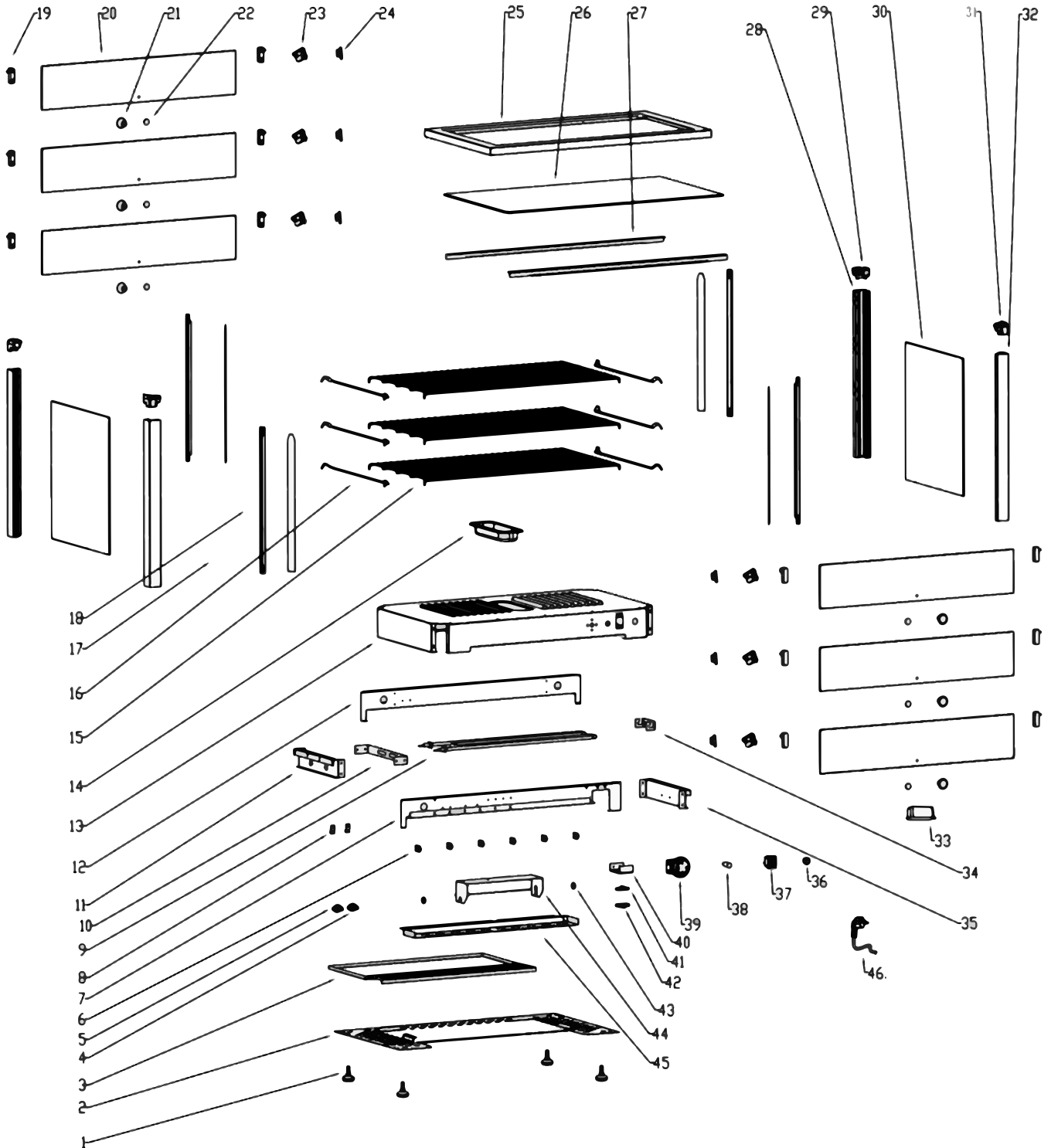
Parts Breakdown

Model DW-CN-0080-L 41872



Parts Breakdown

Model DW-CN-0115-L 41873



Parts Breakdown

Model DW-CN-0025-L 41868

Item No.	Description	Position	Item No.	Description	Position	Item No.	Description	Position
AP755	Adjustable Feet for 41868	1	78079	Side Glass for 41868	13	AP760	Switch for 41868	25
AP756	Floor for 41868	2	78134	Left Top Bushing for 41868	14	60218	Indicator Light for 41868	26
78098	Drawer for 41868	3	AP759	Grid Frame for 41868	15	70849	Temperature Controller for 41868	27
70862	Thermostat T1/33 for 41868	4	78072	Curved Glass for 41868	16	78062	Plug-Type Fixer for 41868	28
70863	Thermostat T1M/33 for 41868	5	60751	Glass Bracket for 41868	17	AP761	Wire Clamp Fixing Seat for 41868	29
78083	Rear Panel for 41868	6	78036	Door Hinge for 41868	18	61246	Wire Clip Holder for 41868	30
78061	Probe Pressing Plate for 41868	7	78074	Door Glass for 41868	19	61245	Wire Clamp Cover for 41868	31
AP757	Heat Pipe for 41868	8	78035	Handle for 41868	20	AP762	Electrical Baffle for 41868	32
60756	14mm Protecting Coil for 41868	9	78034	Nail for Glass for 41868	21	79291	Wire Clip for 41868	33
78081	Front Panel for 41868	10	60735	Water Receiver for 41868	22	AK328	Power Cord for 41868	34
78080	Baseboard Hanger for 41868	11	60752	Right Top Bushing for 41868	23			
AP758	Bounding Box for 41868	12	78138	Lower Bushing for 41868	24			

Model DW-CN-0045-L 41870

Item No.	Description	Position	Item No.	Description	Position	Item No.	Description	Position
AP755	Adjustable Feet for 41870	1	AP763	Middle Sleeve Left for 41870	13	AP764	Middle Sleeve Right for 41870	25
AP756	Floor for 41870	2	78113	Side Glass for 41870	14	78138	Lower Bushing for 41870	26
78098	Drawer for 41870	3	78134	Left Top Bushing for 41870	15	AP760	Switch for 41870	27
70862	Thermostat T1/33 for 41870	4	AP759	Grid Frame for 41870	16	60218	Indicator Light for 41870	28
70863	Thermostat T1M/33 for 41870	5	78106	Curved Glass for 41870	17	70849	Temperature Controller for 41870	29
78083	Rear Panel for 41870	6	60751	Glass Bracket for 41870	18	78062	Plug-Type Fixer for 41870	30
78061	Probe Pressing Plate for 41870	7	78036	Door Hinge for 41870	19	AP761	Wire Clamp Fixing Seat for 41870	31
AP757	Heat Pipe for 41870	8	78110	Door Glass for 41870	20	61246	Wire Clip Holder for 41870	32
60756	14mm Protecting Coil for 41870	9	78035	Handle for 41870	21	61245	Wire Clamp Cover for 41870	33
78081	Front Panel for 41870	10	78034	Nail for Glass for 41870	22	AP762	Electrical Baffle for 41870	34
78080	Baseboard Hanger for 41870	11	60735	Water Receiver for 41870	23	79291	Wire Clip for 41870	35
AP758	Bounding Box for 41870	12	60752	Right Top Bushing for 41870	24	AK328	Power Cord for 41870	36



Parts Breakdown

Model DW-CN-0080-L 41872

Item No.	Description	Position	Item No.	Description	Position	Item No.	Description	Position
AP755	Adjustable Feet for 41872	1	78041	Shelf Frame for 41872	17	69097	Heating Element Hanger 1 for 41872	33
AP765	Baseplate for 41872	2	AP769	LED for 41872	18	78043	Heating Element Frame 2 for 41872	34
78055	Drawer for 41872	3	70883	Door Hinge for 41872	19	78042	Right Panel for 41872	35
AP766	Power Driver for 41872	4	78033	Door Glass for 41872	20	79291	Wire Clip for 41872	36
70862	Thermostat T1/33 for 41872	5	78035	Handle for 41872	21	70688	Switch for 41872	37
70863	Thermostat T1M/33 for 41872	6	78034	Nail for Glass for 41872	22	AP771	Pilot Lamp for 41872	38
78062	Plug-Type Fixer for 41872	7	78069	Door Buckle 1 for 41872	23	70849	Temperature Controller for 41872	39
78063	Rear Panel for 41872	8	78070	Door Buckle 2 for 41872	24	AP772	Wire Clamp Fixing Seat for 41872	40
78061	Probe Pressing Plate for 41872	9	78027	Decorative Frame for 41872	25	61246	Wire Clip Holder for 41872	41
70877	Heating Element for 41872	10	78028	Top Glass for 41872	26	61245	Wire Clamp Cover for 41872	42
78067	Left Panel for 41872	11	AP770	Top Glass Support Plate for 41872	27	78053	Electric Box for 41872	43
78066	Front Panel for 41872	12	69092	B-Pillar for 41872	28	AP773	Electrical Cover for 41872	44
AP767	Bounding Box for 41872	13	78029	Top Glass Base B for 41872	29	60756	14mm Protecting Coil for 41872	45
60735	Water Receiver for 41872	14	69088	Side Glass for 41872	30	AK328	Power Cord for 41872	46
69094	LED Separator for 41872	15	78030	Top Glass Base A for 41872	31			
AP768	Grid Frame for 41872	16	69091	A-Pillar for 41872	32			

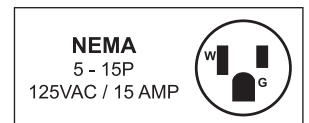
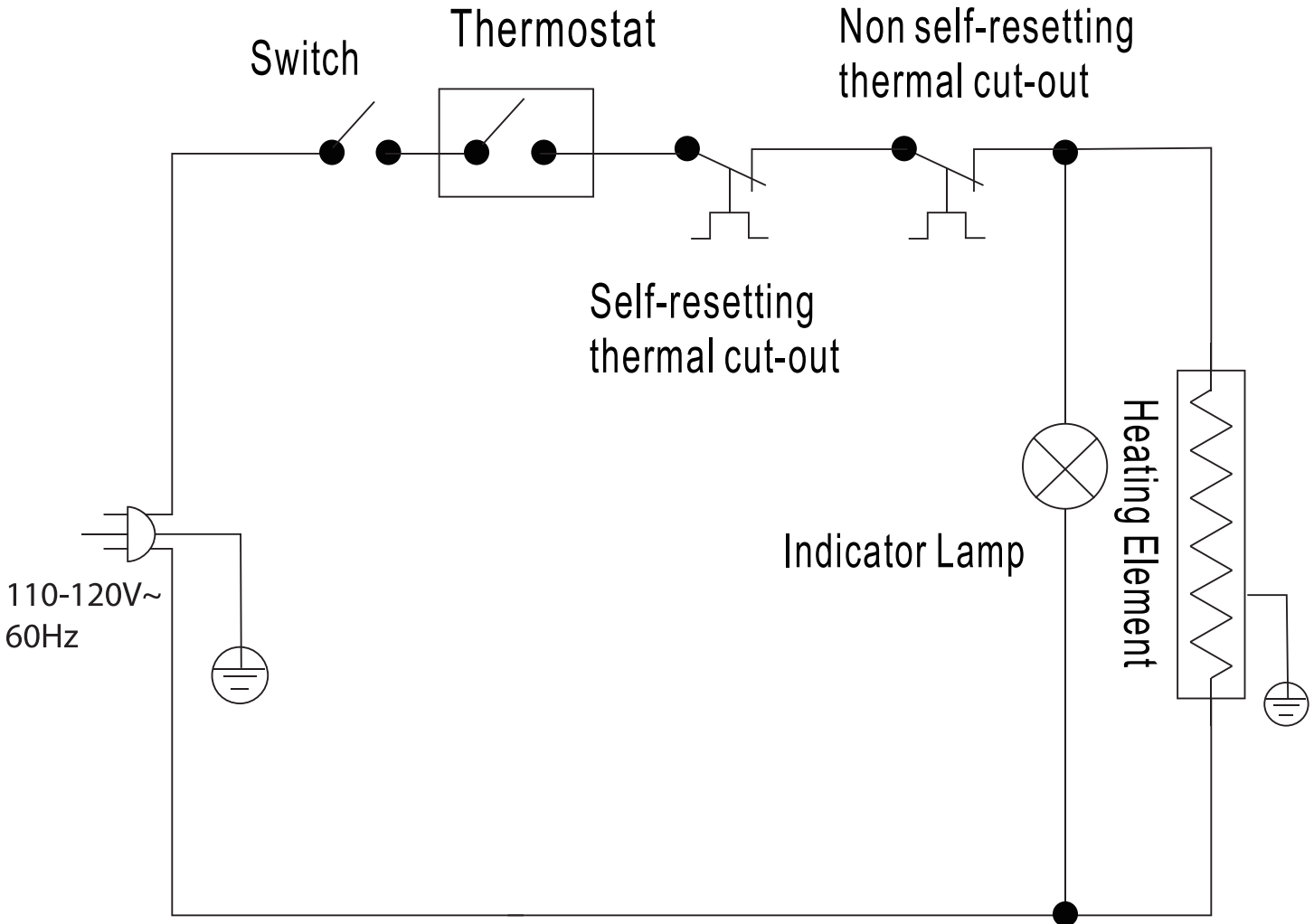
Model DW-CN-0115-L 41873

Item No.	Description	Position	Item No.	Description	Position	Item No.	Description	Position
AP755	Adjustable Feet for 41873	1	AP774	LED Lamp for 41873	17	AP766	Power Driver for 41873	33
AP765	Baseplate for 41873	2	78040	LED Partition for 41873	18	78043	Heating Element Frame 2 for 41873	34
78055	Drawer for 41873	3	70883	Door Hinge for 41873	19	78042	Right Panel for 41873	35
70862	Thermostat T1/33 for 41873	4	78033	Door Glass for 41873	20	79291	Wire Clip for 41873	36
70863	Thermostat T1M/33 for 41873	5	78035	Handle for 41873	21	70688	Switch for 41873	37
78062	Plug-Type Fixer for 41873	6	78034	Nail for Glass for 41873	22	AP771	Pilot Lamp for 41873	38
78063	Rear Panel for 41873	7	78069	Door Buckle 1 for 41873	23	70849	Temperature Controller for 41873	39
78061	Probe Pressing Plate for 41873	8	78070	Door Buckle 2 for 41873	24	AP775	Power Fixing Board for 41873	40
78064	Heating Element for 41873	9	78027	Decorative Frame for 41873	25	61246	Wire Clip Holder for 41873	41
69097	Heating Element Hanger 1 for 41873	10	78028	Top Glass for 41873	26	61245	Wire Clamp Cover for 41873	42
78067	Left Panel for 41873	11	AP770	Top Glass Support Plate for 41873	27	60756	14mm Protecting Coil for 41873	43
78066	Front Panel for 41873	12	78038	Pillar B for 41873	28	78053	Electric Box for 41873	44
AP767	Bounding Box for 41873	13	78029	Top Glass Base B for 41873	29	AP773	Electrical Cover for 41873	45
60735	Water Receiver for 41873	14	78032	Side Glass for 41873	30	AP776	Power Line for 41873	46
AP768	Grid Frame for 41873	15	78030	Top Glass Base A for 41873	31			
78041	Shelf Frame for 41873	16	78037	Pillar A for 41873	32			

Electrical Schematics

Model DW-CN-0025-L 41868

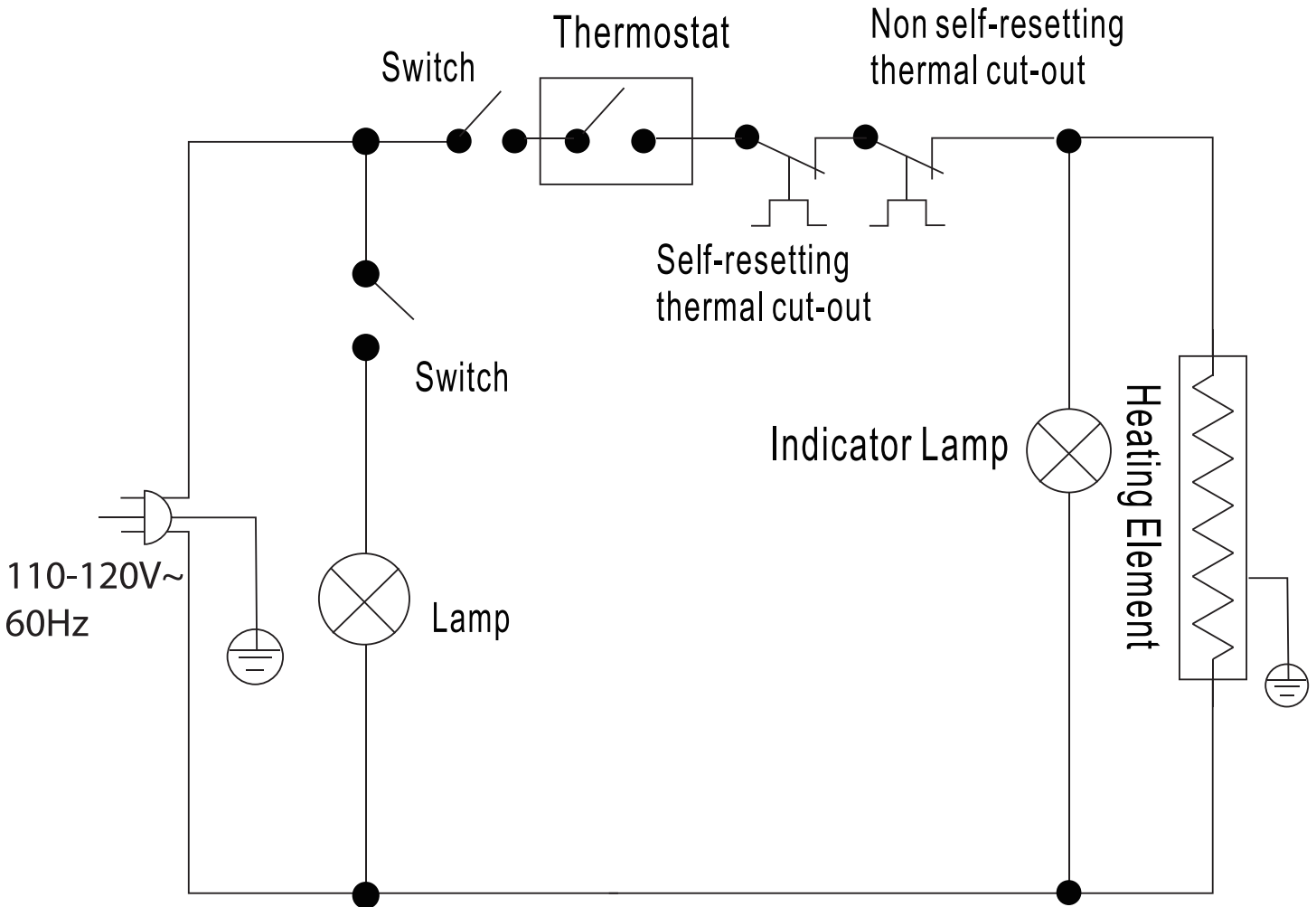
Model DW-CN-0045-L 41870



Electrical Schematics

Model DW-CN-0080-L 41872

Model DW-CN-0115-L 41873



NEMA
5 - 15P
125VAC / 15 AMP



Warranty Registration

Thank you for purchasing an Omcan product. To register your warranty for this product, complete the information below, tear off the card at the perforation and then send to the address specified below. You can also register online by visiting:

Merci d'avoir acheté un produit Omcan. Pour enregistrer votre garantie pour ce produit, complétez les informations ci-dessous, détachez la carte au niveau de la perforation, puis l'envoyer à l'adresse spécifiée ci-dessous. Vous pouvez également vous inscrire en ligne en visitant:

Gracias por comprar un producto Omcan usted. Para registrar su garantía para este producto, complete la información a continuación, cortar la tarjeta en la perforación y luego enviarlo a la dirección indicada a continuación. También puede registrarse en línea en:

<https://omcan.com/warranty-registration/>

For mailing in Canada

Pour postale au Canada

Por correo en Canadá

OMCAN

PRODUCT WARRANTY REGISTRATION

3115 Pepper Mill Court,
Mississauga, Ontario
Canada, L5L 4X5

For mailing in the US

Pour diffusion aux États-Unis

Por correo en los EE.UU.

OMCAN

PRODUCT WARRANTY REGISTRATION

4450 Witmer Industrial Estates, Unit 4,
Niagara Falls, New York
USA, 14305

or email to: service@omcan.com



Purchaser's Information

Name: _____

Address: _____

City: _____ Province or State: _____ Postal or Zip: _____

Country: _____

Dealer from which Purchased: _____

Dealer City: _____ Dealer Province or State: _____

Invoice: _____

Model Name: _____ Model Number: _____

Machine Description: _____

Date of Purchase (MM/DD/YYYY): _____

Would you like to extend the warranty? Yes No

Company Name: _____

Telephone: _____

Email Address: _____

Type of Company:

Restaurant Bakery Deli

Butcher Supermarket Caterer

Institution (specify): _____

Other (specify): _____

Serial Number: _____

Date of Installation (MM/DD/YYYY): _____

Thank you for choosing Omcan | Merci d'avoir choisi Omcan | Gracias por elegir Omcan



Since 1951 Omcan has grown to become a leading distributor of equipment and supplies to the North American food service industry. Our success over these many years can be attributed to our commitment to strengthen and develop new and existing relationships with our valued customers and manufacturers. Today with partners in North America, Europe, Asia and South America, we continually work to improve and grow the company. We strive to offer customers exceptional value through our qualified local sales and service representatives who provide convenient access to over 6,500 globally sourced products.

Depuis 1951 Omcan a grandi pour devenir un des “leaders” de la distribution des équipements et matériel pour l’industrie des services alimentaires en Amérique du Nord. Notre succès au cours de ces nombreuses années peut être attribué à notre engagement à renforcer et à développer de nouvelles et existantes relations avec nos clients et les fabricants de valeur. Aujourd’hui avec des partenaires en Amérique du Nord, Europe, Asie et Amérique du Sud, nous travaillons continuellement à améliorer et développer l’entreprise. Nous nous efforçons d’offrir à nos clients une valeur exceptionnelle grâce à nos ventes locales qualifiées et des représentants de service qui offrent un accès facile à plus de 6500 produits provenant du monde entier.

Desde 1951 Omcan ha crecido hasta convertirse en un líder en la distribución de equipos y suministros de alimentos en América del Norte industria de servicios. Nuestro éxito en estos años se puede atribuir a nuestro compromiso de fortalecer y desarrollar nuevas relaciones existentes con nuestros valiosos clientes y fabricantes. Hoy con socios de América del Norte, Europa, Asia y América del Sur, que trabajan continuamente para mejorar y crecer la empresa. Nos esforzamos por ofrecer a nuestros clientes valor excepcional a través de nuestro local de ventas y representantes de los servicios que proporcionan un fácil acceso a más de 6,500 productos con origen a nivel mundial.

