



## ***Outdoor Patio Heater***

Model PH-CN-1400-P

Item 43124

## ***Instruction Manual***



*Revised - 10/17/2024*



---

Toll Free: 1-800-465-0234  
Fax: 905-607-0234  
Email: [service@omcan.com](mailto:service@omcan.com)  
[www.omcan.com](http://www.omcan.com)



# ***Table of Contents***

Model PH-CN-1400-P

---

<b>Section</b>	<b>Page</b>
General Information -----	3 - 4
Safety and Warranty -----	4 - 6
Technical Specifications -----	6
Installation -----	7
Operation -----	7
Maintenance -----	7
Parts Breakdown -----	8 - 9
Electrical Schematics -----	10
Warranty Registration -----	11



## **General Information**

---

**Omcan Manufacturing and Distributing Company Inc., Food Machinery of America, Inc. dba Omcan and Omcan Inc. are not responsible for any harm or injury caused due to any person's improper or negligent use of this equipment. The product shall only be operated by someone over the age of 18, of sound mind, and not under the influence of any drugs or alcohol, who has been trained in the correct operation of this machine, and is wearing authorized, proper safety clothing. Any modification to the machine voids any warranty, and may cause harm to individuals using the machine or in the vicinity of the machine while in operation.**

### **CHECK PACKAGE UPON ARRIVAL**

Upon receipt of an Omcan shipment please inspect for external damage. If no damage is evident on the external packaging, open carton to ensure all ordered items are within the box, and there is no concealed damage to the machine. If the package has suffered rough handling, bumps or damage (visible or concealed), please note it on the bill of lading before accepting the delivery and contact Omcan within 24 hours, so we may initiate a claim with the carrier. A detailed report on the extent of the damage caused to the machine must be filled out within three days, from the delivery date shown in the shipping documents. Omcan has no recourse for damaged products that were shipped collect or third party.

**Before operating any equipment, always read and familiarize yourself with all operation and safety instructions.**

**Omcan would like to thank you for purchasing this machine. It's of the utmost importance to save these instructions for future reference. Also save the original box and packaging for shipping the equipment if servicing or returning of the machine is required.**

---

**Omcan Fabrication et distribution Compagnie Limité et Food Machinery d'Amérique, dba Omcan et Omcan Inc. ne sont pas responsables de tout dommage ou blessure causé du fait que toute personne ait utilisé cet équipement de façon irrégulière. Le produit ne doit être exploité que par quelqu'un de plus de 18 ans, sain d'esprit, et pas sous l'influence d'une drogue ou d'alcool, qui a été formé pour utiliser cette machine correctement, et est vêtu de vêtements de sécurité appropriés. Toute modification de la machine annule toute garantie, et peut causer un préjudice à des personnes utilisant la machine ou des personnes à proximité de la machine pendant son fonctionnement.**

### **VÉRIFIEZ LE COLIS DÈS RÉCEPTION**

Dès réception d'une expédition d'Omcan veuillez inspecter pour dommages externes. Si aucun dommage n'est visible sur l'emballage externe, ouvrez le carton afin de s'assurer que tous les éléments commandés sont dans la boîte, et il n'y a aucun dommage dissimulé à la machine. Si le colis n'a subi aucune mauvaises manipulations, de bosses ou de dommages (visible ou cachée), notez-le sur le bond de livraison avant d'accepter la livraison et contactez Omcan dans les 24 heures qui suivent, pour que nous puissions engager une réclamation auprès du transporteur. Un rapport détaillé sur l'étendue des dommages causés à la machine doit être rempli dans un délai de trois jours, à compter de la date de livraison indiquée dans les documents d'expédition. Omcan n'a aucun droit de recours pour les produits endommagés qui ont été expédiés ou cueillis par un tiers transporteur.

**Avant d'utiliser n'importe quel équipement, toujours lire et vous familiariser avec toutes les opérations et les**

## ***General Information***

---

consignes de sécurité.

Omcan voudrais vous remercier d'avoir choisi cette machine. Il est primordial de conserver ces instructions pour une référence ultérieure. Également conservez la boîte originale et l'emballage pour l'expédition de l'équipement si l'entretien ou le retour de la machine est nécessaire.

Omcan Empresa De Fabricacion Y Distribucion Inc. Y Maquinaria De Alimentos De America, Inc. dba Omcan y Omcan Inc. no son responsables de ningun daño o perjuicio causado por cualquier persona inadecuada o el uso descuidado de este equipo. El producto solo podra ser operado por una persona mayor de 18 años, en su sano juicio y no bajo alguna influencia de droga o alcohol, y que este ha sido entrenado en el correcto funcionamiento de esta máquina, y ésta usando ropa apropiada y autorizada. Cualquier modificación a la máquina anula la garantía y puede causar daños a las personas usando la máquina mientras esta en el funcionamiento.

### **REVISE EL PAQUETE A SU LLEGADA**

Tras la recepcion de un envio Omcan favor inspeccionar daños externos. Si no hay daños evidentes en el empaque exterior, Habra el carton para asegurarse que todos los articulos solicitados estén dentro de la caja y no encuentre daños ocultos en la máquina. Si el paquete ha sufrido un manejo de poco cuidado, golpes o daños (visible o oculto) por favor anote en la factura antes de aceptar la entrega y contacte Omcan dentro de las 24 horas, de modo que podamos iniciar una reclamación con la compañía. Un informe detallado sobre los daños causados a la máquina debe ser llenado en el plazo de tres días, desde la fecha de entrega que se muestra en los documentos de envío. Omcan no tiene ningun recurso por productos dañados que se enviaron a recoger por terceros.

**Antes de utilizar cualquier equipo, siempre lea y familiarizarse con todas las instrucciones de funcionamiento y seguridad.**

Omcan le gustaría darle las gracias por la compra de esta máquina. Es de la mayor importancia para salvar estas instrucciones para futuras consultas. Además, guarda la caja original y el embalaje para el envío del equipo si servicio técnico o devolución de la máquina que se requiere.

## ***Safety and Warranty***

---

### **Cautions:**

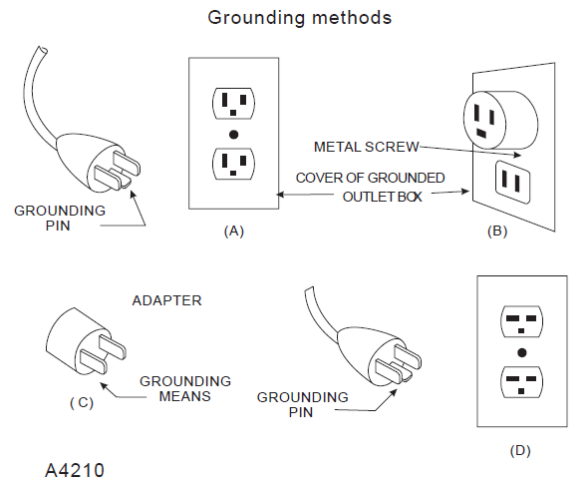
1. The unit must be placed with the clearance of 100cm to the wall and 30cm to the ceiling.
2. High temperature, keep combustible material such as furniture, papers, clothes and curtains at least 3 feet (0.9m) from the front of the heater and away from the side and the rear.
3. The unit must be securely placed on a horizontal and flat surface.
4. The unit is at a high temperature during operation. It keeps hot for a period after shutdown. Potential danger would occur when touching it during this period.
5. Don't cover the unit with anything during operation or shortly after shut down.

# Safety and Warranty

6. Don't wrap the power cord around the unit.
7. The unit must be handled with care, avoid vibration or hitting.
8. The unit must be securely grounded during operation.
9. When the unit or power cord is damaged, the unit must be repaired by Omcan or an Omcan approved service technician.
10. The heater must not be located immediately below a socket or outlet.
11. Do not use this heater with a programmer, timer or any other device that switches the heater on automatically, fire may be resulted.
12. The appliance is not intended for use by persons (including children) with reduced physical, sensory, mental capabilities or those who lack experience and knowledge unless otherwise trained.
13. Children should be supervised to ensure that they do not play with the appliance.
14. This unit is for household use only, it must not be used in a location with lots of surrounding flammables.
15. Don't use this unit in close proximity to water, dust, gas, ect.
16. Do not use this unit to dry clothes or towels.
17. Do not use this unit as a sauna heater.
18. Do not use this unit as a room heater.
19. Do not use this unit in a place of animal propagation and raising.
20. Do not immerse this unit into water for cleaning.
21. The socket that this unit is plugged into must be easily accessible.
22. Two dark points may appear on the surface of the heating elements, or the surface of the heating elements may turn white during the first few minutes of operation. This is normal and may not affect the performance of the unit.
23. A warning beeper will go off in case the heater is covered by something and the heater will switch off.
24. If the alarm goes off (the light flashes) immediately turn off the unit and inspect around the unit to determine the cause. **DO NOT OPERATE THE HEATER WHEN THE ALARM GOES OFF.**
25. Never run the electrical cable along the floor, that may cause a trip hazard.
26. Always turn the controls to OFF before unplugging the unit.
27. Only use this heat as described in this manual.
28. Do not use an extension cord.
29. **SAVE THESE INSTRUCTIONS.**

## GROUNDING INSTRUCTIONS

This heater is to be used on a 110-120V socket. The cord has a plug as shown below. An adapter as shown at C is available for connecting three-blade grounding-type plugs to two-slot receptacles. The green grounding lug extending from the adapter must be connected to a permanent ground such as a properly grounded outlet box. The adapter should not be used if a three-slot grounded receptacle is available.



# Safety and Warranty

---

**RESIDENTIAL USERS:** vendor assumes no liability for parts or labor coverage for component failure or other damages resulting from installation in non-commercial or residential applications. The right is reserved to deny shipment for residential usage; if this occurs, you will be notified as soon as possible.

## 1 YEAR PARTS AND LABOUR BENCH WARRANTY

Within the warranty period, contact Omcan Inc. at 1-800-465-0234 to schedule a drop off to either an Omcan authorized service depot in the area, or to an Omcan Service warehouse to repair the equipment.

Unauthorized maintenance will void the warranty. Warranty covers electrical and part failures, not improper use.

Please see <https://omcan.com/disclaimer> for complete info.

### WARNING:

The packaging components (cardboard, polyethylene, and others) are classified as normal solid urban waste and can therefore be disposed of without difficulty.

In any case, for suitable recycling, we suggest disposing of the products separately (differentiated waste) according to the current norms.

**DO NOT DISCARD ANY PACKAGING MATERIALS IN THE ENVIRONMENT!**

# Technical Specifications

---

<b>Model</b>	PH-CN-1400-P
<b>Item Number</b>	43124
<b>Power</b>	1.5 kW
<b>Electrical</b>	110-120V / 60Hz / 1
<b>Dimensions</b>	16" x 16" x 55" / 406 x 406 x 1397mm
<b>Weight</b>	30 lbs. / 13.6 kgs.
<b>Packaging Dimensions</b>	31.1" x 18.5" x 12.6" / 790 x 470 x 320mm
<b>Packaging Weight</b>	39.2 lbs. / 17.8 kgs.

## ***Installation***

---

### **PREPARATION**

1. Unpack the carton. Take out the accessories pack from the carton of the heater body. If anything is missing, ask the retailer immediately to provide it to you.
2. Prepare a cross head screw driver.
3. Read this instruction manual carefully before installation and use. Keep this instruction manual in a proper and safe place for future use in case needed.

### **INSTALLATION**

1. Unpack and take out both upper body and lower body together.
2. Put lower body up-side-down. Fix base cover (#3) onto lower control box. Then slide base cover (#3), base (#7) and washer (#6) onto base bracket (#8) respectively, and fix it well with screw M6x20 (#5).
3. Lay lower body vertically. Put upper body on top of lower body. Get the plug (#2) and power supply cord (#10) through the holes on the center of base cover (#3) and base (#7). Clip the power supply cord (#10) with cord clip (#11) and fix it onto base (#7) with screw (#1).
4. Fix upper body and lower body with joint boards and screw M6x27.
5. Fix the table (#16) with trapping screw ST4x12 (#15).

## ***Operation***

---

1. Plug in the unit to a socket. Make sure the power supply is same as rated.
2. Turn switch to position "I" to switch on one heating element. Turn switch to position "II" to switch on both heating element. Turn switch to position "O" to switch off the unit.

## ***Maintenance***

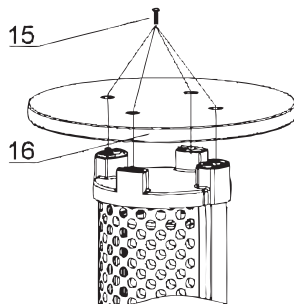
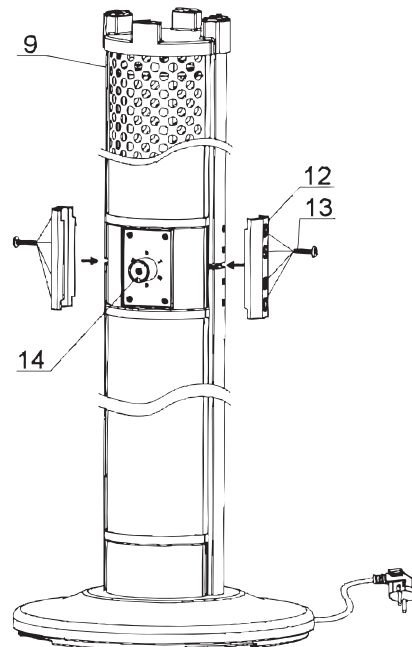
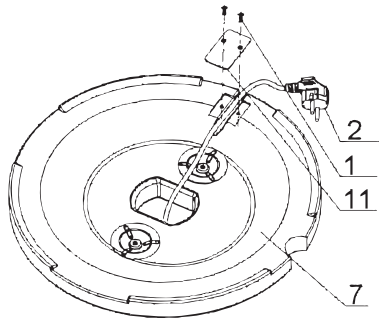
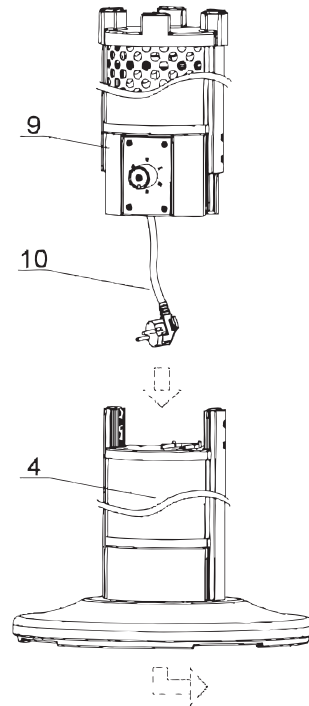
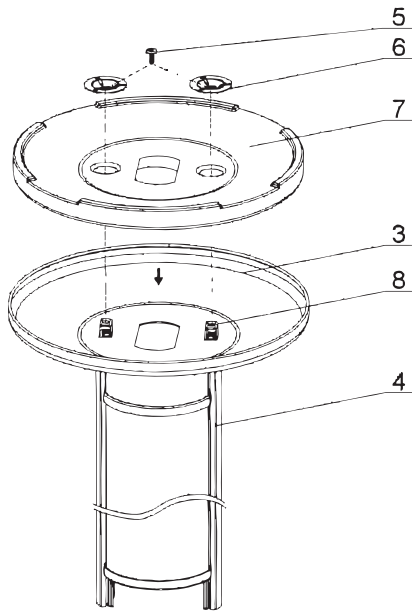
---

### **CLEANING**

Unplug the unit before cleaning. It should be wiped with a damp cloth. Do not use a water jet or submerge the unit in water.

# Parts Breakdown

Model PH-CN-1400-P 43124





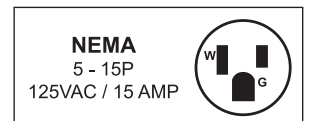
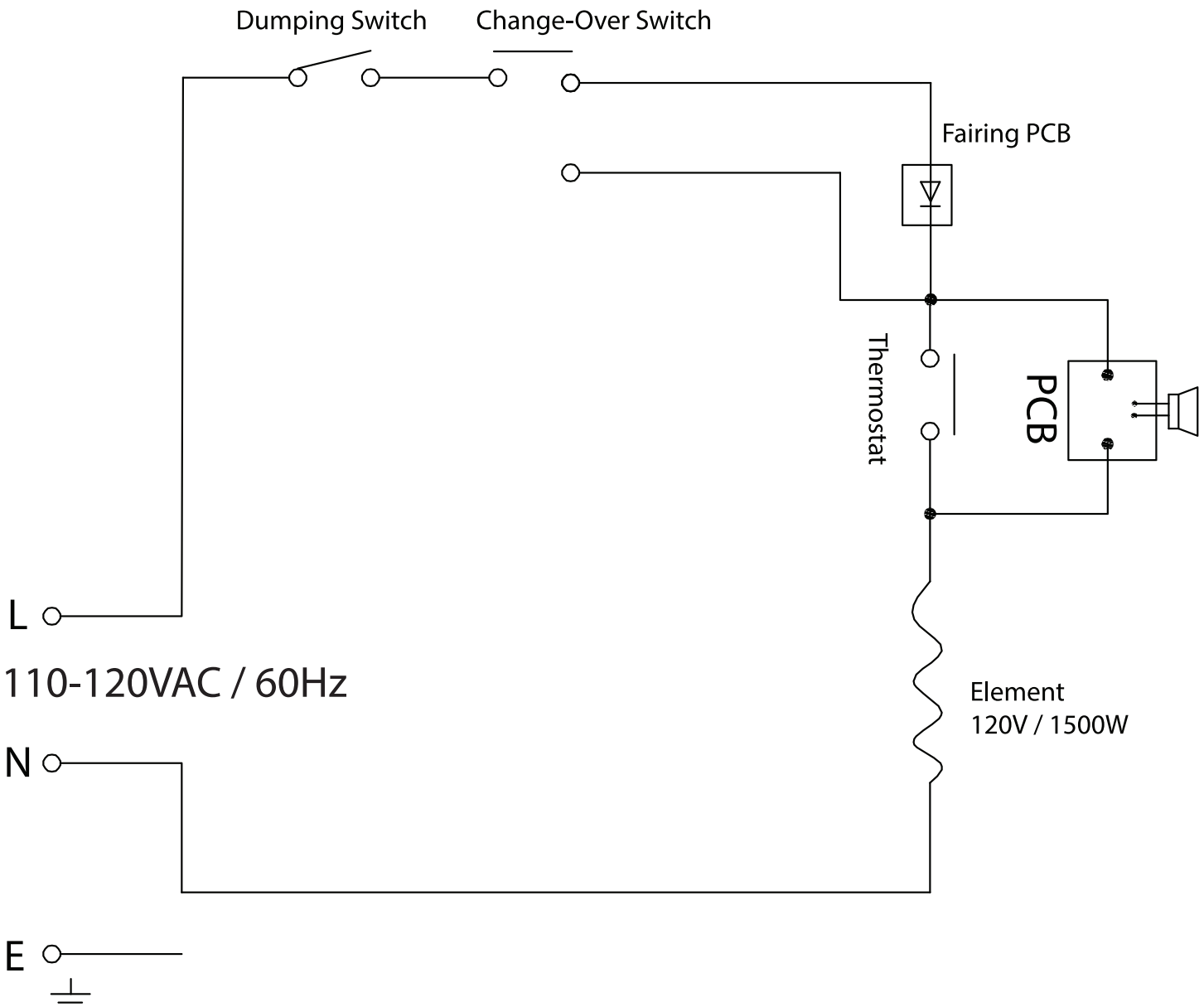
# Parts Breakdown

## Model PH-CN-1400-P 43124

Item No.	Description	Position	Item No.	Description	Position	Item No.	Description	Position
61146	Screw M4x28 for 43124	1	61152	Base for 43124	7	61158	Screw M6x27 for 43124	13
61147	Plug for 43124	2	61153	Base Bracket for 43124	8	61159	Switch for 43124	14
61148	Base Cover for 43124	3	61154	Upper Body for 43124	9	61160	Tapping Screw ST4x12 for 43124	15
61149	Lower Body for 43124	4	61155	Power Supply Cord for 43124	10	61161	Table for 43124	16
61150	Screw M6x20 for 43124	5	61156	Cord Clip for 43124	11	61162	Accessories Pack for 43124	
61151	Washer for 43124	6	61157	Joint Board for 43124	12	AS231	Heating Element for 43124	

# Electrical Schematics

**Model PH-CN-1400-P** 43124





# Warranty Registration

Thank you for purchasing an Omcan product. To register your warranty for this product, complete the information below, tear off the card at the perforation and then send to the address specified below. You can also register online by visiting:

Merci d'avoir acheté un produit Omcan. Pour enregistrer votre garantie pour ce produit, complétez les informations ci-dessous, détachez la carte au niveau de la perforation, puis l'envoyer à l'adresse spécifiée ci-dessous. Vous pouvez également vous inscrire en ligne en visitant:

Gracias por comprar un producto Omcan usted. Para registrar su garantía para este producto, complete la información a continuación, cortar la tarjeta en la perforación y luego enviarlo a la dirección indicada a continuación. También puede registrarse en línea en:

<https://omcan.com/warranty-registration/>

For mailing in Canada

Pour postale au Canada

Por correo en Canadá

For mailing in the US

Pour diffusion aux États-Unis

Por correo en los EE.UU.

**OMCAN**

PRODUCT WARRANTY REGISTRATION

3115 Pepper Mill Court,  
Mississauga, Ontario  
Canada, L5L 4X5

**OMCAN**

PRODUCT WARRANTY REGISTRATION

4450 Witmer Industrial Estates, Unit 4,  
Niagara Falls, New York  
USA, 14305

*or email to: [service@omcan.com](mailto:service@omcan.com)*



Purchaser's Information

Name: \_\_\_\_\_

Address: \_\_\_\_\_

City: \_\_\_\_\_ Province or State: \_\_\_\_\_ Postal or Zip: \_\_\_\_\_

Country: \_\_\_\_\_

Dealer from which Purchased: \_\_\_\_\_

Dealer City: \_\_\_\_\_ Dealer Province or State: \_\_\_\_\_

Invoice: \_\_\_\_\_

Model Name: \_\_\_\_\_ Model Number: \_\_\_\_\_

Machine Description: \_\_\_\_\_

Date of Purchase (MM/DD/YYYY): \_\_\_\_\_

Would you like to extend the warranty?  Yes  No

Company Name: \_\_\_\_\_

Telephone: \_\_\_\_\_

Email Address: \_\_\_\_\_

Type of Company:

Restaurant  Bakery  Deli

Butcher  Supermarket  Caterer

Institution (*specify*): \_\_\_\_\_

Other (*specify*): \_\_\_\_\_

Serial Number: \_\_\_\_\_

Date of Installation (MM/DD/YYYY): \_\_\_\_\_

**Thank you for choosing Omcan | Merci d'avoir choisi Omcan | Gracias por elegir Omcan**



Since 1951 Omcan has grown to become a leading distributor of equipment and supplies to the North American food service industry. Our success over these many years can be attributed to our commitment to strengthen and develop new and existing relationships with our valued customers and manufacturers. Today with partners in North America, Europe, Asia and South America, we continually work to improve and grow the company. We strive to offer customers exceptional value through our qualified local sales and service representatives who provide convenient access to over 6,500 globally sourced products.

---

Depuis 1951 Omcan a grandi pour devenir un des "leaders" de la distribution des équipements et matériel pour l'industrie des services alimentaires en Amérique du Nord. Notre succès au cours de ces nombreuses années peut être attribué à notre engagement à renforcer et à développer de nouvelles et existantes relations avec nos clients et les fabricants de valeur. Aujourd'hui avec des partenaires en Amérique du Nord, Europe, Asie et Amérique du Sud, nous travaillons continuellement à améliorer et développer l'entreprise. Nous nous efforçons d'offrir à nos clients une valeur exceptionnelle grâce à nos ventes locales qualifiées et des représentants de service qui offrent un accès facile à plus de 6500 produits provenant du monde entier.

---

Desde 1951 Omcan ha crecido hasta convertirse en un líder en la distribución de equipos y suministros de alimentos en América del Norte industria de servicios. Nuestro éxito en estos años se puede atribuir a nuestro compromiso de fortalecer y desarrollar nuevas relaciones existentes con nuestros valiosos clientes y fabricantes. Hoy con socios de América del Norte, Europa, Asia y América del Sur, que trabajan continuamente para mejorar y crecer la empresa. Nos esforzamos por ofrecer a nuestros clientes valor excepcional a través de nuestro local de ventas y representantes de los servicios que proporcionan un fácil acceso a más de 6,500 productos con origen a nivel mundial.

