



Dough Sheeter
Model BE-CN-2083-FSS
Item 44135
Instruction Manual



Revised - 08/30/2021



Toll Free: 1-800-465-0234
Fax: 905-607-0234
Email: service@omcan.com
www.omcan.com

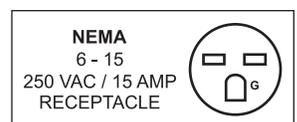


Table of Contents

Model BE-CN-2083-FSS

Section	Page
General Information -----	3 - 4
Safety and Warranty -----	4 - 5
Technical Specifications -----	6
Installation -----	7
Operation -----	7
Maintenance -----	7 - 8
Troubleshooting -----	8 - 9
Parts Breakdown -----	10 - 12
Electrical Schematics -----	13
Notes -----	14
Warranty Registration -----	15



General Information

Omcan Manufacturing and Distributing Company Inc., Food Machinery of America, Inc. dba Omcan and Omcan Inc. are not responsible for any harm or injury caused due to any person's improper or negligent use of this equipment. The product shall only be operated by someone over the age of 18, of sound mind, and not under the influence of any drugs or alcohol, who has been trained in the correct operation of this machine, and is wearing authorized, proper safety clothing. Any modification to the machine voids any warranty, and may cause harm to individuals using the machine or in the vicinity of the machine while in operation.

CHECK PACKAGE UPON ARRIVAL

Upon receipt of an Omcan shipment please inspect for external damage. If no damage is evident on the external packaging, open carton to ensure all ordered items are within the box, and there is no concealed damage to the machine. If the package has suffered rough handling, bumps or damage (visible or concealed), please note it on the bill of lading before accepting the delivery and contact Omcan within 24 hours, so we may initiate a claim with the carrier. A detailed report on the extent of the damage caused to the machine must be filled out within three days, from the delivery date shown in the shipping documents. Omcan has no recourse for damaged products that were shipped collect or third party.

Before operating any equipment, always read and familiarize yourself with all operation and safety instructions.

Omcan would like to thank you for purchasing this machine. It's of the utmost importance to save these instructions for future reference. Also save the original box and packaging for shipping the equipment if servicing or returning of the machine is required.

Omcan Fabrication et distribution Compagnie Limitée et Food Machinery d'Amérique, dba Omcan et Omcan Inc. ne sont pas responsables de tout dommage ou blessure causé du fait que toute personne ait utilisé cet équipement de façon irrégulière. Le produit ne doit être exploité que par quelqu'un de plus de 18 ans, sain d'esprit, et pas sous l'influence d'une drogue ou d'alcool, qui a été formé pour utiliser cette machine correctement, et est vêtu de vêtements de sécurité appropriés. Toute modification de la machine annule toute garantie, et peut causer un préjudice à des personnes utilisant la machine ou des personnes à proximité de la machine pendant son fonctionnement.

VÉRIFIEZ LE COLIS DÈS RÉCEPTION

Dès réception d'une expédition d'Omcan veuillez inspecter pour dommages externes. Si aucun dommage n'est visible sur l'emballage externe, ouvrez le carton afin de s'assurer que tous les éléments commandés sont dans la boîte, et il n'y a aucun dommage dissimulé à la machine. Si le colis n'a subi aucune mauvaises manipulations, de bosses ou de dommages (visible ou cachée), notez-le sur le bond de livraison avant d'accepter la livraison et contactez Omcan dans les 24 heures qui suivent, pour que nous puissions engager une réclamation auprès du transporteur. Un rapport détaillé sur l'étendue des dommages causés à la machine doit être rempli dans un délai de trois jours, à compter de la date de livraison indiquée dans les documents d'expédition. Omcan n'a aucun droit de recours pour les produits endommagés qui ont été expédiés ou cueilli par un tiers transporteur.

General Information

Avant d'utiliser n'importe quel équipement, toujours lire et vous familiariser avec toutes les opérations et les consignes de sécurité.

Omcan voudrais vous remercier d'avoir choisi cette machine. Il est primordial de conserver ces instructions pour une référence ultérieure. Également conservez la boîte originale et l'emballage pour l'expédition de l'équipement si l'entretien ou le retour de la machine est nécessaire.

Omcan Empresa De Fabricacion Y Distribucion Inc. Y Maquinaria De Alimentos De America, Inc. dba Omcan y Omcan Inc. no son responsables de ningun daño o perjuicio causado por cualquier persona inadecuada o el uso descuidado de este equipo. El producto solo podra ser operado por una persona mayor de 18 años, en su sano juicio y no bajo alguna influencia de droga o alcohol, y que este ha sido entrenado en el correcto funcionamiento de esta máquina, y ésta usando ropa apropiada y autorizada. Cualquier modificación a la máquina anula la garantía y puede causar daños a las personas usando la máquina mientras esta en el funcionamiento.

REVISE EL PAQUETE A SU LLEGADA

Tras la recepcion de un envio Omcan favor inspeccionar daños externos. Si no hay daños evidentes en el empaque exterior, Habra el carton para asegurarse que todos los articulos solicitados estén dentro de la caja y no encuentre daños ocultos en la máquina. Si el paquete ha sufrido un manejo de poco cuidado, golpes o daños (visible o oculto) por favor anote en la factura antes de aceptar la entrega y contacte Omcan dentro de las 24 horas, de modo que podamos iniciar una reclamación con la compañía. Un informe detallado sobre los daños causados a la máquina debe ser llenado en el plazo de tres días, desde la fecha de entrega que se muestra en los documentos de envío. Omcan no tiene ningun recurso por productos dañados que se enviaron a recoger por terceros.

Antes de utilizar cualquier equipo, siempre lea y familiarizarse con todas las instrucciones de funcionamiento y seguridad.

Omcan le gustaría darle las gracias por la compra de esta máquina. Es de la mayor importancia para salvar estas instrucciones para futuras consultas. Además, guarda la caja original y el embalaje para el envío del equipo si servicio técnico o devolución de la máquina que se requiere.

Safety and Warranty

Thanks for using this high performance, reversible sheeter. It will assist in making bread, cheese, cake and many other products. Before using this machine, please carefully read this manual and follow the procedures to operate the machine.

All the safety devices must be checked before operation. Maintenance should be done immediately when defects or malfunction are found.



Safety and Warranty

1. Check the warning signs on the machine.
2. Clean up any water, oil and liquids on the machine immediately when found. This will prevent injury.
3. Keep your body away from any moving part of the machine.
4. Do not let foreign objects enter the machine while operating.
5. Do not climb onto the machine while it is running.
6. If any problems occur in the process of operation, press the Emergency Stop button.

RESIDENTIAL USERS: Vendor assumes no liability for parts or labor coverage for component failure or other damages resulting from installation in non-commercial or residential applications. The right is reserved to deny shipment for residential usage; if this occurs, you will be notified as soon as possible.

1 YEAR PART AND LABOUR WARRANTY

Within the warranty period, contact Omcan Inc. at 1-800-465-0234 to schedule an Omcan authorized service technician to repair the equipment locally.

Unauthorized maintenance will void the warranty. Warranty covers electrical and part failures, not improper use.

Please see <https://omcan.com/disclaimer> for complete info.

WARNING:

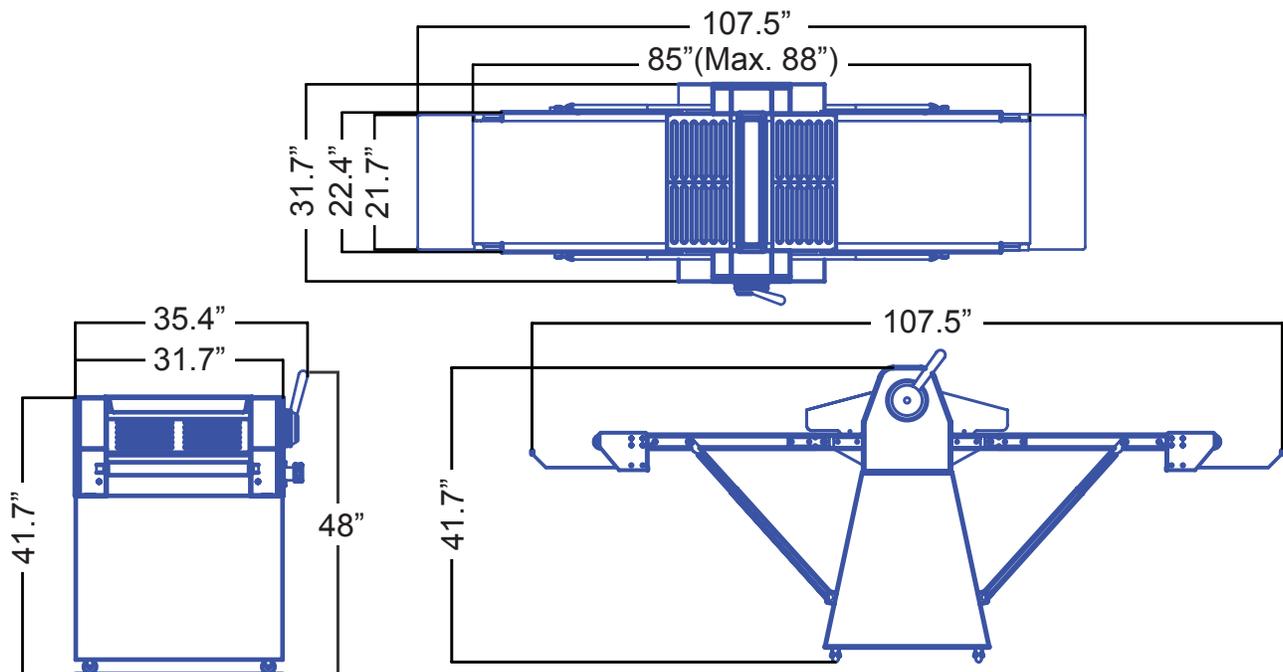
The packaging components (cardboard, polyethylene, and others) are classified as normal solid urban waste and can therefore be disposed of without difficulty.

In any case, for suitable recycling, we suggest disposing of the products separately (differentiated waste) according to the current norms.

DO NOT DISCARD ANY PACKAGING MATERIALS IN THE ENVIRONMENT!

Technical Specifications

Model	BE-CN-2083-FSS
Electrical	220V / 60Hz / 1
Power	0.75 HP / 0.55 kW
Roller Size (Dia. x W)	3.5" x 20.5" / 88 x 520mm
Roller Adjustable Gap	1 - 35 mm
Conveyor Belt Width	19.75" / 502mm
Conveyor Width	22.5" / 572mm
Conveyor Belt Speed	18m/min - 32m/min
Roller Speed	124r/min
Maximum Dough Capacity	11 lbs. / 5 kgs.
Maximum Working Position Dimensions (DWH)	31.7" x 88" x 41.7" / 805 x 2235 x 1060mm
Resting Position Dimensions (WH)	26" x 63" / 660 x 1600mm
Packaging Dimensions	37" x 29" x 66" / 940 x 737 x 1676mm
Weight	419 lbs. / 190 kgs.
Packaging Weight	512 lbs. / 232 kgs.
Item Number	44135



Installation

1. Installation must be performed on a flat, dry surface with a stable temperature environment. Press down pedals of active wheels to lock the machine.
2. Follow the instructions on the plaque of electrical cabinet to connect power supply. The breaker for power supply should be installed on the wall with 1.7 m height from the floor.
3. Pull conveyor straight, put down the table and then put down both safety guards.
4. Then check the movement of the conveyors. Press the left-hand side pedal and the conveyors move left. Press the right-hand side pedal and the conveyors move right. If the movement is in the wrong direction, change the two wires of the power supply and re-test the machine.
5. The power cord must be grounded.

Operation

1. When using machine, set up the thickness handle to the farthest left position.
2. Note: do not put hands in or near the safety guard.
3. Switch off the power when cleaning and disconnect the power mains.
4. Turn off power switch and then lift up the safety guards after operation.

The machine needs to be placed in a dry, stable temperature environment. Make sure the safety guards are always used during operation. To start, use the pedal switch. Press the left-hand side switch and the conveyors move left. Press right-hand side switch, the conveyors will move right. If the movement is opposite from the desired direction, change the two wires of the power supply and re-test the machine. Make sure the electrical requirements of the machine correspond with the power supply before operating this machine.

Maintenance

REPLACING THE GEARS:

First switch off the power and lift up the safety guards. Then use a screw driver to dismantle the side plate of lower machine body and disconnect the three electrical wires on the connecting box. Then set the thickness handle to scale "O". Use the alan-key on M5 to open the cover take out the gear housing. Next replace the gears. After replacement, reverse the listed procedures and set the thickness handle to scale "O".

REPLACING THE DRIVING ROLLER AND BEARING:

Switch off the power and lift up the safety guards. Then use the alan-key to open the cover. Loosen the nuts of bearing using a cross type screw driver to move the bearing through the joint or roller and bearing. Replace the roller and assembly by reversing the listed procedures.

Maintenance

CHANGING THE CONVEYORS:

- Remove the roller by following the procedures mentioned above.
- Apply spanner M8 to take the belts on roller and remove product tray.
- Apply spanner M24 to loosen the nuts of roller.
- Use spanner M16 to loosen the belts of support and separate the table.
- Use spanner M10 to take away the belts from the table holder and separate them.
- Dismantle the table and belts for replacement.
- Complete assembly by reversing the listed procedures.
- The tightness of belts should be correct. When the machine is running press the belts slightly and check if a slip happened between belts and roller.

CLEANING:

After work is finished every day, please turn the power switch off, then perform the cleaning process as stated below:

1. Fold the conveyor belt plate, then clean the residual dough and sundries that remain on the conveyor belt roller.
2. Clean the residual dough that is left on the upper and lower roller and scraper. Ensure that there is nothing left on the roller and scraper.

Note: Do not use pressurized water jets to clean the unit. Do not use a knife or hard object to scrape the rollers, use a damp cloth instead. Do not use stainless steel or other metal blades to scrape the conveyor belt surface, use the plastic scraper to clean the conveyor belt surface.

Troubleshooting

Problem	Possible Causes
The machine does not work.	Is the power supply on?
	Is the power switch on?
	Has the safety guard been put down?
	Lift safety guard, start level and check if you hear a click from the limit switch.
Electrical cabinet continuously vibrates.	Is the belt loose?
	Are the wires improperly connected?
	Is there something inside the electrical cabinet?

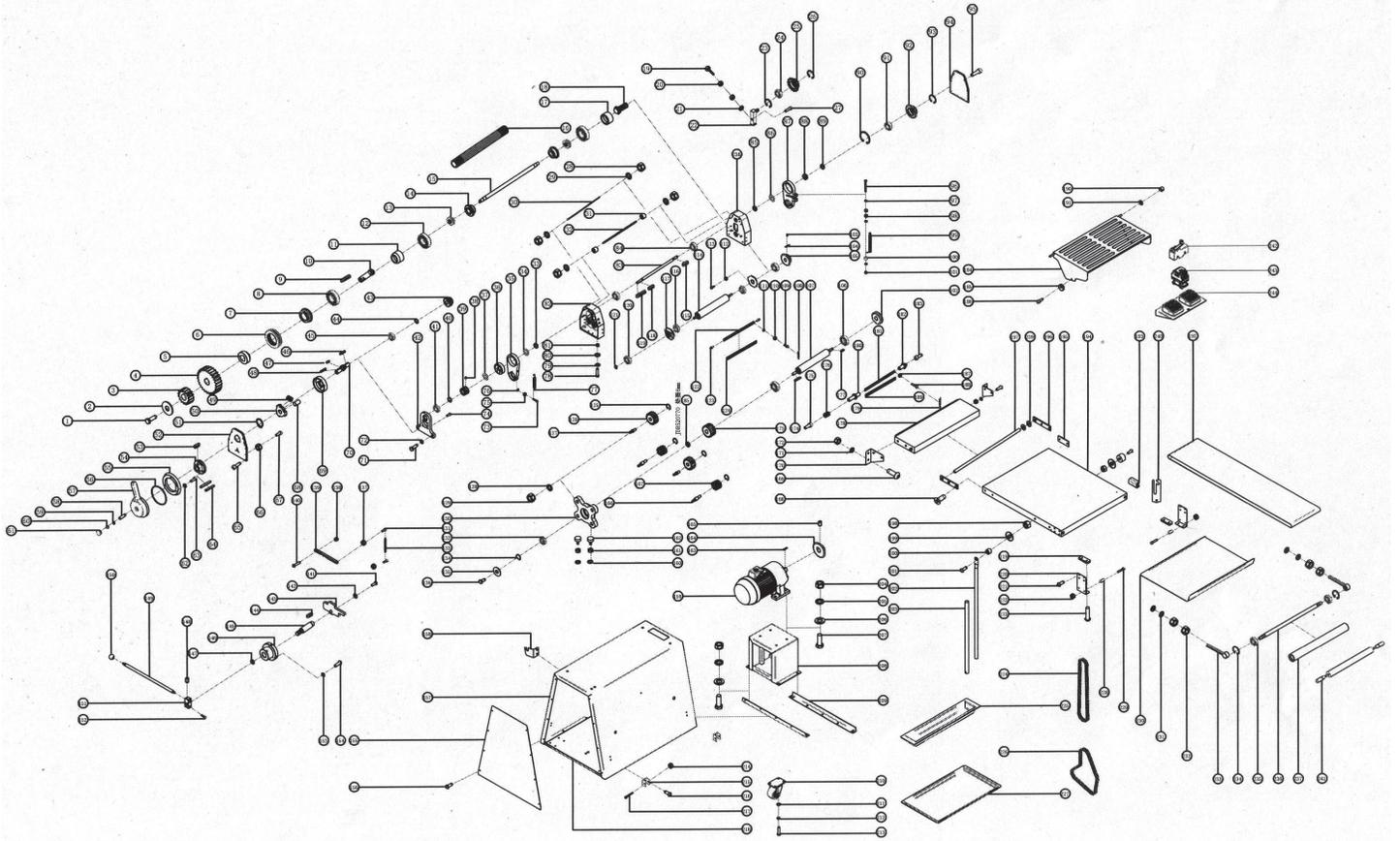
Troubleshooting

The machine only works on one side.	Has the breaker failed?
	The wiring of the Level or limit switch failed?
	Is the wiring of the motor incorrect?
	Is the electricity not three phase?
One conveyor side works while the other side has stopped.	The gear is worn out.
	Conveyor belt is not tight enough.
Thickness handle cannot stay fixed and falls downward.	If machine runs smoothly when toward the right-hand side but does not when toward left-hand side, this means the chain inside the rear of the machine body is too loose. Set the handle at a scale of 15-20, and use a screw driver to open the cover. Apply spanner to adjust motor plate to tighten chain. Check if handle can be operated smoothly.
Conveyor moves toward one side during production.	Adjusting the nuts to let the belt move straight. For example, if belt moves toward the rear side, loosen the front nut. When adjusting the nuts, make sure that the speed of belt is the same as roller and there are no gaps between the roller and belt.
Noise from roller.	Bearing wore out.
	If noise comes from the pressing roller & scraper and conveyor, something is stuck on the active roller. To clean the active roller simply lift the table. Refer to assembly drawing for active roller and passive roller position.
Conveyor is too tight.	Machine is located in a humid area and this may cause the conveyor to become shorter. If conveyors arc is too tight, loose nuts during regular inspection. If conveyors are too tight, it may:
	Not have sufficient horse power.
	Damaged bearing & shaft of active roller and passive roller.
	Over load and damage to the driving gear.

NOTE: FOR ELECTRICAL AND MECHANICAL REPAIRS, PLEASE CONTACT AN AUTHORIZED AND QUALIFIED TECHNICIAN.

Parts Breakdown

Model **BE-CN-2083-FSS** 44135



Parts Breakdown

Model BE-CN-2083-FSS 44135

Item No.	Description	Position	Item No.	Description	Position	Item No.	Description	Position
AD197	Outer Hexagon Screw Arbor for 44135	1	AD219	Brake Apparatus Gear for 44135	43	66729	Washer for 44135	85
AD198	Flat Gasket for 44135	2	AD220	Washer (ø22xø32x3mm) for 44135	44	AD214	Flat Gasket for 44135	86
66749	Gear (M3 15T) for 44135	3	66742	Bearing for 44135	45	AD245	Roller Adjusting Block for 44135	87
66748	Gear (M3 27T) for 44135	4	AD221	Flat Key (Type C) for 44135	46	66730	Eccentric Mounting for 44135	88
66746	Washer for 44135	5	AD222	Flat Key (Type A) for 44135	47	66729	Washer for 44135	89
66747	Bearing for 44135	6	AD223	Flat Key (Type A) for 44135	48	AD246	Clamp Spring for Hole Use for 44135	90
66785	Bearing Sleeve for 44135	7	AD224	Spring for 44135	49	66689	Bearing for 44135	91
66784	Bearing for 44135	8	AD225	Brake Apparatus for 44135	50	AD247	Chain Wheel (M3 21T) for 44135	92
AD199	Flat Key (Type C) for 44135	9	AD226	Clamp Spring for Shaft Use for 44135	51	AD248	Clamp Spring for Shaft Use for 44135	93
44797	Shaft for 44135	10	66714	Cover for 44135	52	66810	Cover for 44135	94
66781	Bearing Sleeve for 44135	11	AD227	Flat Key (Type A) for 44135	53	AD235	Inner Hexagon Bolt for 44135	95
AD200	Bearing for 44135	12	AD228	Brake Apparatus Rotating Disc for 44135	54	AD249	Outer Hexagon Bolt for 44135	96
AD201	Thrust Bearing for 44135	13	AD229	Dial Disc for 44135	55	AD198	Flat Gasket for 44135	97
AD202	Aluminum Block for 44135	14	AD230	Seal Ring for 44135	56	66835	Nut for 44135	98
AD203	Roller Shaft for 44135	15	66690	Adjusting Plate for 44135	57	AD250	Draw Spring for 44135	99
44800	Active Roller for 44135	16	66790	Screw for 44135	58	AD198	Flat Gasket for 44135	100
AD204	Bearing Holder for 44135	17	AD207	Lockwasher for 44135	59	66835	Nut for 44135	101
AD205	Adjusting Bolt for 44135	18	66707	Soft Hat for 44135	60	AD251	Chain Wheel for 44135	102
AD206	Rubber Head Screw for 44135	19	AD231	Buckle Head for 44135	61	AD215	Tighten Screw for 44135	103
66795	Nut for 44135	20	AD232	Lockwasher for 44135	62	AD252	Flat Key (Type C) for 44135	104
AD207	Lockwasher for 44135	21	AD233	Inner Hexagon Bolt for 44135	63	66808	Gear (18T) for 44135	105
AD208	Fixed Axis for 44135	22	AD234	5x30 Split Pin for 44135	64	66772	Bearing for 44135	106
AD209	Clamp Spring for Hole Use for 44135	23	AD235	Inner Hexagon Bolt for 44135	65	66774	Lower Roller for 44135	107
AD210	Bearing for 44135	24	66818	Soft Hat for 44135	66	AD253	Draw Spring for Upper Scraper for 44135	108
AD211	Chain Wheel for 44135	25	66770	Screw for 44135	67	AD254	Cross Head Bolt for 44135	109
AD212	Clamp Spring for Shaft Use for 44135	26	AD236	Brake Apparatus Cylinder for 44135	68	66818	Soft Hat for 44135	110
66708	Screw for 44135	27	AD237	Brake Apparatus Fixed Seat for 44135	69	AD255	Lockwasher for 44135	111
66795	Nut for 44135	28	AD238	Brake Apparatus Rotating Shaft for 44135	70	AD256	Nut for 44135	112
AD207	Lockwasher for 44135	29	AD239	Outer Hexagon Bolt for 44135	71	AD257	Inner Hexagon Head Screw for 44135	113
AD213	Tooth Bar for 44135	30	AD207	Lockwasher for 44135	72	66771	Upper Roller for 44135	114
66759	Rubber Sleeve for 44135	31	AD240	Inner Hexagon Bolt for 44135	73	AD227	Flat Key (Type A) for 44135	115
66758	Fixed Lever for 44135	32	AD241	Inner Hexagon Bolt for 44135	74	66689	Bearing for 44135	116
66729	Washer for 44135	33	66835	Nut for 44135	75	66765	Roller Adjusting Block for 44135	117
AD214	Flat Gasket for 44135	34	AD198	Flat Gasket for 44135	76	AD227	Flat Key (Type A) for 44135	118
66731	Roller Adjusting Block for 44135	35	AD242	Draw Spring for 44135	77	AD221	Flat Key (Type C) for 44135	119
66730	Eccentric Mounting for 44135	36	AD243	Outer Hexagon Bolt for 44135	78	66689	Bearing for 44135	120
AD214	Flat Gasket for 44135	37	AD244	Flat Gasket for 44135	79	AD258	Clamp Spring for Shaft Use for 44135	121
AD215	Tighten Screw for 44135	38	AD244	Flat Gasket for 44135	80	AD259	Upper Scraper Holder for 44135	122
AD216	Brake Apparatus Gear for 44135	39	66801	Soft Hat for 44135	81	AD260	Dowel Pin for 44135	123
AD217	Washer (3mm) for 44135	40	66783	Base for 44135	82	66822	Upper Knife for 44135	124
66742	Bearing for 44135	41	66763	Shaft for 44135	83	AD261	Circlip for 44135	125
AD218	Brake Apparatus Bearing Fixed Seat for 44135	42	66689	Bearing for 44135	84	66737	Gear (M3 15T) for 44135	126

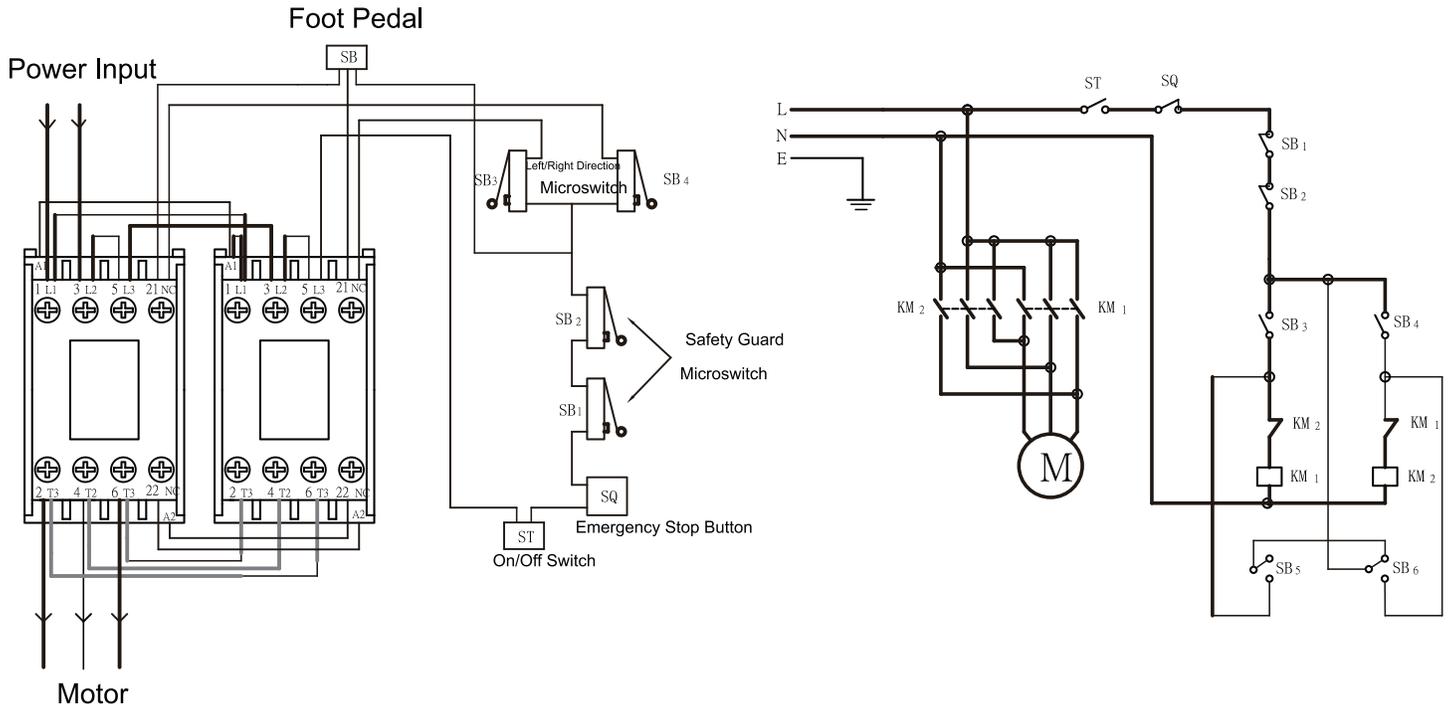
Parts Breakdown

Model BE-CN-2083-FSS 44135

Item No.	Description	Position	Item No.	Description	Position	Item No.	Description	Position
66738	Upper Plastic Gear Shaft for 44135	127	66753	Gear (M3 10T) for 44135	167	AD283	Outer Hexagon Screw for 44135	207
AD207	Lockwasher for 44135	128	AD274	Cross Countersunk Screw for 44135	168	AD284	Motor Fixed Seat for 44135	208
66795	Nut for 44135	129	AD274	Cross Countersunk Screw for 44135	169	AD285	Fixed Rack for 44135	209
66739	Adjusting Block for 44135	130	66797	Fixed Plate for 44135	170	AD286	Brake and Active Caster for 44135	210
AD257	Inner Hexagon Head Screw for 44135	131	AD207	Lockwasher for 44135	171	AD198	Flat Gasket for 44135	211
66742	Bearing for 44135	132	66795	Nut for 44135	172	AD198	Flat Gasket for 44135	212
AD262	Draw Spring for 44135	133	66752	Gear (M3 24T) for 44135	173	AD265	Inner Hexagon Head Screw for 44135	213
AD246	Clamp Spring for Hole Use for 44135	134	AD223	Flat Key (Type A) for 44135	174	66835	Nut for 44135	214
AD207	Lockwasher for 44135	135	AD275	Inner Hexagon Screw for 44135	175	AD287	Supporting Rack for 44135	215
AD263	Outer Hexagon Bolt for 44135	136	AD276	Compression Spring for 44135	176	66770	Screw for 44135	216
AD256	Nut for 44135	137	AD252	Flat Key (Type C) for 44135	177	AD288	Outer Hexagon Bolt for 44135	217
66835	Nut for 44135	138	66796	Bracket Support Plate for 44135	178	AD289	Bottom Plate for 44135	218
AD264	Cam Bar for 44135	139	66786	Draw Spring for 44135	179	AD290	Al. Pad Block for Tray Bar for 44135	219
AD265	Inner Hexagon Head Screw for 44135	140	AD277	Dowel Pin for 44135	180	AD291	Fixed Plate for Tray Bar for 44135	220
AD197	Outer Hexagon Screw Arbor for 44135	141	66823	Lower Knife Sleeve for 44135	181	AD292	Inner Hexagon Head Screw for 44135	221
AD198	Flat Gasket for 44135	142	AD278	Dowel Pin for 44135	182	66835	Nut for 44135	222
66728	Adjusting Sheet for 44135	143	AD275	Inner Hexagon Screw for 44135	183	AD292	Inner Hexagon Head Screw for 44135	223
AD222	Flat Key (Type A) for 44135	144	66815	Safety Guard for 44135	184	AD293	Chain for 44135	224
66700	Shaft for 44135	145	66817	Safety Guard Rubber Roller for 44135	185	66814	Flour Tray for 44135	225
66701	Permanent Seat for 44135	146	66770	Screw for 44135	186	AD294	Chain for 44135	226
AD266	Flat Gasket for 44135	147	66818	Soft Hat for 44135	187	66831	Flour Plate for 44135	227
AD267	Tighten Screw for 44135	148	AD269	Cross Head Screw for 44135	188	AD295	Rubber Wheel for 44135	228
66709	Adjusting Lever for 44135	149	66824	Lower Knife for 44135	189	AD254	Cross Head Bolt for 44135	229
AD268	Black Plastic Ball for 44135	150	66816	Microswitch Sleeve for 44135	190	66830	Tray Bar for 44135	230
66706	Adjusting Seat for 44135	151	AD207	Lockwasher for 44135	191	AD266	Flat Gasket for 44135	231
AD240	Inner Hexagon Bolt for 44135	152	AD279	Conveyor Belt for 44135	192	66805	Nut for 44135	232
AD198	Flat Gasket for 44135	153	AD280	Big Supporting Plate Fixed Seat for 44135	193	66806	Adjusting Lever for 44135	233
AD197	Outer Hexagon Screw Arbor for 44135	154	66826	Bracket Board for 44135	194	AD258	Clamp Spring for Shaft Use for 44135	234
66756	Cover for 44135	155	AD281	Screw Arbor Fixed Lever for 44135	195	66784	Bearing for 44135	235
AD269	Cross Head Screw for 44135	156	66800	Link Block for 44135	196	66829	Active Shaft for 44135	236
66755	Base for 44135	157	66825	Shaft for 44135	197	66828	Conveyor Roller for 44135	237
AD270	Fixed Rack for Rolling Pin for 44135	158	66707	Soft Hat for 44135	198	66769	Base for 44135	238
AD271	Motor for 44135	159	AD207	Lockwasher for 44135	199	AD296	Spacer for 44135	239
AD198	Flat Gasket for 44135	160	AD282	Active Lever Holder for 44135	200	AD297	Fixed Seat for Rolling Pin for 44135	240
66835	Nut for 44135	161	66708	Screw for 44135	201	AD065	Rolling Pin for 44135	241
AD272	Rubber Head Screw for 44135	162	66802	Active Lever for 44135	202	AD298	Microswitch for 44135	242
AD273	Flat Key (Type C) for 44135	163	66803	Fixed Lever for 44135	203	AD299	AC Contactor for 44135	243
66809	Gear (24T) for 44135	164	66801	Soft Hat for 44135	204	AD300	Foot Pedal for 44135	244
AD215	Tighten Screw for 44135	165	AD244	Flat Gasket for 44135	205	61424	Emergency Stop Button for 44135	
66754	Lower Plastic Gear Shaft for 44135	166	AD244	Flat Gasket for 44135	206			

Electrical Schematics

Model BE-CN-2083-FSS 44135



E	Ground Wire	M	Motor	SB3	Left/Right Direction	ST	On/Off Switch
KM1	AC Contactor	N	Power Input	SB4	Left/Right Direction	SQ	Emergency Stop Button
KM2	AC Contactor	SB1	Safety Guard Microswitch	SB5	Foot Pedal		
L	Power Input	SB2	Safety Guard Microswitch	SB6	Foot Pedal		



Warranty Registration

Thank you for purchasing an Omcan product. To register your warranty for this product, complete the information below, tear off the card at the perforation and then send to the address specified below. You can also register online by visiting:

Merci d'avoir acheté un produit Omcan. Pour enregistrer votre garantie pour ce produit, complétez les informations ci-dessous, détachez la carte au niveau de la perforation, puis l'envoyer à l'adresse spécifiée ci-dessous. Vous pouvez également vous inscrire en ligne en visitant:

Gracias por comprar un producto Omcan usted. Para registrar su garantía para este producto, complete la información a continuación, cortar la tarjeta en la perforación y luego enviarlo a la dirección indicada a continuación. También puede registrarse en línea en:

<https://omcan.com/warranty-registration/>

For mailing in Canada

Pour postale au Canada

Por correo en Canadá

OMCAN

PRODUCT WARRANTY REGISTRATION

3115 Pepper Mill Court,

Mississauga, Ontario

Canada, L5L 4X5

For mailing in the US

Pour diffusion aux États-Unis

Por correo en los EE.UU.

OMCAN

PRODUCT WARRANTY REGISTRATION

4450 Witmer Industrial Estates, Unit 4,

Niagara Falls, New York

USA, 14305

or email to: service@omcan.com



Purchaser's Information

Name: _____

Address: _____

City: _____ Province or State: _____ Postal or Zip: _____

Country: _____

Dealer from which Purchased: _____

Dealer City: _____ Dealer Province or State: _____

Invoice: _____

Model Name: _____ Model Number: _____

Machine Description: _____

Date of Purchase (MM/DD/YYYY): _____

Would you like to extend the warranty? Yes No

Company Name: _____

Telephone: _____

Email Address: _____

Type of Company:

Restaurant Bakery Deli

Butcher Supermarket Caterer

Institution (*specify*): _____

Other (*specify*): _____

Serial Number: _____

Date of Installation (MM/DD/YYYY): _____

Thank you for choosing Omcan | Merci d'avoir choisi Omcan | Gracias por elegir Omcan



Since 1951 Omcan has grown to become a leading distributor of equipment and supplies to the North American food service industry. Our success over these many years can be attributed to our commitment to strengthen and develop new and existing relationships with our valued customers and manufacturers. Today with partners in North America, Europe, Asia and South America, we continually work to improve and grow the company. We strive to offer customers exceptional value through our qualified local sales and service representatives who provide convenient access to over 5,000 globally sourced products.

Depuis 1951 Omcan a grandi pour devenir un des “leaders” de la distribution des équipements et matériel pour l’industrie des services alimentaires en Amérique du Nord. Notre succès au cours de ces nombreuses années peut être attribué à notre engagement à renforcer et à développer de nouvelles et existantes relations avec nos clients et les fabricants de valeur. Aujourd’hui avec des partenaires en Amérique du Nord, Europe, Asie et Amérique du Sud, nous travaillons continuellement à améliorer et développer l’entreprise. Nous nous efforçons d’offrir à nos clients une valeur exceptionnelle grâce à nos ventes locales qualifiées et des représentants de service qui offrent un accès facile à plus de 5000 produits provenant du monde entier.

Desde 1951 Omcan ha crecido hasta convertirse en un líder en la distribución de equipos y suministros de alimentos en América del Norte industria de servicios. Nuestro éxito en estos años se puede atribuir a nuestro compromiso de fortalecer y desarrollar nuevas relaciones existentes con nuestros valiosos clientes y fabricantes. Hoy con socios de América del Norte, Europa, Asia y América del Sur, que trabajan continuamente para mejorar y crecer la empresa. Nos esforzamos por ofrecer a nuestros clientes valor excepcional a través de nuestro local de ventas y representantes de los servicios que proporcionan un fácil acceso a más de 5,000 productos con origen a nivel mundial.

