



## Refrigerated Showcases

Models RS-CN-0186, 0370-L

Items 44379, 44544

## Instruction Manual



*Revised - 10/24/2023*



Intertek



Intertek

Toll Free: 1-800-465-0234  
Fax: 905-607-0234  
Email: [service@omcan.com](mailto:service@omcan.com)  
[www.omcan.com](http://www.omcan.com)



# ***Table of Contents***

Model RS-CN-0186 / Model RS-CN-0370-L

---

<b>Section</b>	<b>Page</b>
Disclaimer -----	3
General Information -----	4 - 5
Safety and Warranty -----	5 - 7
Technical Specifications -----	8
Operation -----	8 - 9
Maintenance -----	9 - 10
Troubleshooting -----	10 - 11
Parts Breakdown -----	12 - 15
Electrical Schematics -----	16 - 17
Notes -----	18
Warranty Registration -----	19

## ***Disclaimer***

---

***OMCAN IS NOT RESPONSIBLE FOR ANY DAMAGES DUE TO WATER LEAKS. WARRANTY FOR WATER LEAKS IS VOID IF THE AMBIENT ROOM TEMPERATURE EXCEEDS 75°F AND 55% RELATIVE HUMIDITY, AND THE APPLIANCE DRAIN IS NOT CONNECTED DIRECTLY TO A FLOOR DRAIN.***

---

***OMCAN N'EST PAS RESPONSABLE DES DOMMAGES DUS AUX FUITES D'EAU. LA GARANTIE POUR LES FUITES D'EAU EST ANNULÉE SI LA TEMPÉRATURE AMBIANTE DE LA PIÈCE DÉPASSE 75°F ET 55% D'HUMIDITÉ RELATIVE, ET SI LE DRAIN DE L'APPAREIL N'EST PAS RACCORDÉ DIRECTEMENT À UN DRAIN DE PLANCHER.***

---

***OMCAN NO SE HACE RESPONSABLE DE LOS DAÑOS CAUSADOS POR FUGAS DE AGUA. LA GARANTÍA POR FUGAS DE AGUA QUEDA ANULADA SI LA TEMPERATURA AMBIENTE SUPERA LOS 75°F Y EL 55% DE HUMEDAD RELATIVA, Y EL DESAGÜE DEL APARATO NO ESTÁ CONECTADO DIRECTAMENTE A UN DESAGÜE DE PISO.***

# General Information

---

Omcan Manufacturing and Distributing Company Inc., Food Machinery of America, Inc. dba Omcan and Omcan Inc. are not responsible for any harm or injury caused due to any person's improper or negligent use of this equipment. The product shall only be operated by someone over the age of 18, of sound mind, and not under the influence of any drugs or alcohol, who has been trained in the correct operation of this machine, and is wearing authorized, proper safety clothing. Any modification to the machine voids any warranty, and may cause harm to individuals using the machine or in the vicinity of the machine while in operation.

## CHECK PACKAGE UPON ARRIVAL

Upon receipt of an Omcan shipment please inspect for external damage. If no damage is evident on the external packaging, open carton to ensure all ordered items are within the box, and there is no concealed damage to the machine. If the package has suffered rough handling, bumps or damage (visible or concealed), please note it on the bill of lading before accepting the delivery and contact Omcan within 24 hours, so we may initiate a claim with the carrier. A detailed report on the extent of the damage caused to the machine must be filled out within three days, from the delivery date shown in the shipping documents. Omcan has no recourse for damaged products that were shipped collect or third party.

**Before operating any equipment, always read and familiarize yourself with all operation and safety instructions.**

Omcan would like to thank you for purchasing this machine. It's of the utmost importance to save these instructions for future reference. Also save the original box and packaging for shipping the equipment if servicing or returning of the machine is required.

---

Omcan Fabrication et distribution Compagnie Limitée et Food Machinery d'Amérique, dba Omcan et Omcan Inc. ne sont pas responsables de tout dommage ou blessure causé du fait que toute personne ait utilisé cet équipement de façon irrégulière. Le produit ne doit être exploité que par quelqu'un de plus de 18 ans, sain d'esprit, et pas sous l'influence d'une drogue ou d'alcool, qui a été formé pour utiliser cette machine correctement, et est vêtu de vêtements de sécurité appropriés. Toute modification de la machine annule toute garantie, et peut causer un préjudice à des personnes utilisant la machine ou des personnes à proximité de la machine pendant son fonctionnement.

## VÉRIFIEZ LE COLIS DÈS RÉCEPTION

Dès réception d'une expédition d'Omcan veuillez inspecter pour dommages externes. Si aucun dommage n'est visible sur l'emballage externe, ouvrez le carton afin de s'assurer que tous les éléments commandés sont dans la boîte, et il n'y a aucun dommage dissimulé à la machine. Si le colis n'a subi aucune mauvaises manipulations, de bosses ou de dommages (visible ou cachée), notez-le sur le bond de livraison avant d'accepter la livraison et contactez Omcan dans les 24 heures qui suivent, pour que nous puissions engager une réclamation auprès du transporteur. Un rapport détaillé sur l'étendue des dommages causés à la machine doit être rempli dans un délai de trois jours, à compter de la date de livraison indiquée dans les documents d'expédition. Omcan n'a aucun droit de recours pour les produits endommagés qui ont été expédiés ou cueilli par un tiers transporteur.



# General Information

---

Avant d'utiliser n'importe quel équipement, toujours lire et vous familiariser avec toutes les opérations et les consignes de sécurité.

Omcan voudrais vous remercier d'avoir choisi cette machine. Il est primordial de conserver ces instructions pour une référence ultérieure. Également conservez la boîte originale et l'emballage pour l'expédition de l'équipement si l'entretien ou le retour de la machine est nécessaire.

Omcan Empresa De Fabricacion Y Distribucion Inc. Y Maquinaria De Alimentos De America, Inc. dba Omcan y Omcan Inc. no son responsables de ningun daño o perjuicio causado por cualquier persona inadecuada o el uso descuidado de este equipo. El producto solo podra ser operado por una persona mayor de 18 años, en su sano juicio y no bajo alguna influencia de droga o alcohol, y que este ha sido entrenado en el correcto funcionamiento de esta máquina, y ésta usando ropa apropiada y autorizada. Cualquier modificación a la máquina anula la garantía y puede causar daños a las personas usando la máquina mientras esta en el funcionamiento.

## REVISE EL PAQUETE A SU LLEGADA

Tras la recepcion de un envio Omcan favor inspeccionar daños externos. Si no hay daños evidentes en el empaque exterior, Habra el carton para asegurarse que todos los articulos solicitados estén dentro de la caja y no encuentre daños ocultos en la máquina. Si el paquete ha sufrido un manejo de poco cuidado, golpes o daños (visible o oculto) por favor anote en la factura antes de aceptar la entrega y contacte Omcan dentro de las 24 horas, de modo que podamos iniciar una reclamación con la compañía. Un informe detallado sobre los daños causados a la máquina debe ser llenado en el plazo de tres días, desde la fecha de entrega que se muestra en los documentos de envío. Omcan no tiene ningun recurso por productos dañados que se enviaron a recoger por terceros.

Antes de utilizar cualquier equipo, siempre lea y familiarizarse con todas las instrucciones de funcionamiento y seguridad.

Omcan le gustaría darle las gracias por la compra de esta máquina. Es de la mayor importancia para salvar estas instrucciones para futuras consultas. Además, guarda la caja original y el embalaje para el envío del equipo si servicio técnico o devolución de la máquina que se requiere.

# Safety and Warranty

---

## HANDLING AND INSTALLATION

<b>Handle with care</b>	<b>Storage</b>
Unplug wall socket before moving. Never tilt the refrigerator over 45 degrees during handling.	Always store the refrigerator in a dry place.

# Safety and Warranty

<p><b>Sufficient space</b> To allow for proper air circulation and increased refrigeration capabilities, the refrigerator must have at least 4 inches of space between wall and unit.</p>	<p><b>Proper ventilation</b> Always place the refrigerator in an area with good ventilation. For first time use, wait at least 2 hours before plugging into wall socket.</p>
<p><b>Away from heat source</b> Never place the refrigerator near any type of heat source or in direct sunlight, as it reduces refrigeration capabilities.</p>	<p><b>No heavy load</b> Never put heavy items on top of the refrigerator.</p>
<p><b>No altercations/tampering</b> Never tamper with or make changes to the refrigerator. Changes and add-ons should not be installed to the inside or outside of the refrigerator.</p>	<p><b>Stable location</b> Unpack and place the refrigerator on flat, solid ground.</p>

## PREPARATION AND POWER SUPPLY

<p><b>Exclusive power outlet</b> Power supply should be 110-120V, single phase AC with exclusive single phase three pin outlet (250V/10A) and fuse (6A). The power outlet must be in close proximity to the ground.</p>	<p><b>No shared power outlets</b> Refrigerator cable should never share the power outlet with any other appliance, as cable will overheat and may result in a fire.</p>
<p><b>Protect cables</b> Extra caution should be used when handling cables, as broken or damaged cables can cause sparking and may result in a fire.</p>	<p><b>No water flushing</b> Never flush the refrigerator surface. This can cause leakage, which may result in electrical damage or fire.</p>
<p><b>Never store flammables and explosives</b> No explosives or flammables should be stored in, or in proximity to, the refrigerator, such as gasoline, alcohol, and adhesives.</p>	<p><b>No spray</b> Never spray flammables such as paint or coating near the refrigerator. This may cause fire or malfunction.</p>
<p><b>After power outage</b> After a power outage or the unplugging of the refrigerator, wait at least 5 minutes before plugging it back in.</p>	<p><b>No medicine</b> Medicine should not be stored inside of the refrigerator.</p>

**SUITABLE FOR HIGH TRAFFIC AREAS WHERE NOISE LEVELS ARE NOT A CONCERN.**

**OMCAN IS NOT RESPONSIBLE FOR DIMINISHED COOLING OR ANY DAMAGES DUE TO WATER LEAKS. WARRANTY FOR WATER LEAKS IS VOID IF THE AMBIENT ROOM TEMPERATURE EXCEEDS 75°F AND 55% RELATIVE HUMIDITY, AND THE APPLIANCE DRAIN IS NOT CONNECTED DIRECTLY TO A FLOOR DRAIN.**

**RESIDENTIAL USERS:** vendor assumes no liability for parts or labor coverage for component failure or other damages resulting from installation in non-commercial or residential applications. The right is reserved to deny shipment for residential usage; if this occurs, you will be notified as soon as



# *Safety and Warranty*

---

possible.

## **1 YEAR PARTS AND LABOUR WARRANTY**

Within the warranty period, contact Omcan Inc. at 1-800-465-0234 to schedule an Omcan authorized service technician to repair the equipment locally.

Unauthorized maintenance will void the warranty. Warranty covers electrical and part failures, not improper use.

Please see <https://omcan.com/disclaimer> for complete info.

### **WARNING:**

The packaging components are classified as normal solid urban waste and can therefore be disposed of without difficulty.

In any case, for suitable recycling, we suggest disposing of the products separately (differentiated waste) according to the current norms.

**DO NOT DISCARD ANY PACKAGING MATERIALS IN THE ENVIRONMENT!**

# Technical Specifications

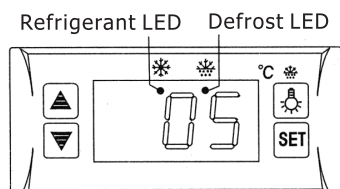
Model	RS-CN-0186	RS-CN-0370-L
Capacity	186 L / 6.56 cu.ft	370 L / 13.06 cu.ft.
Compressor Power	3/4 HP	1 HP
Rated Current	11.6A	14.5A
Refrigerant	R290	
Temperature Range	2 - 10°C / 35.6 - 50°F	
Max Ambient Temp Rating	24°C / 75°F	
Electrical Heating Element	450 W	
Lamp Power	2.6 W	3.2 W
Number of Shelves	1	
Electrical	110-120V / 60Hz / 1	
Dimensions	26" x 35.9" x 42" 661 x 912 x 1067mm	51.7" x 35.9" x 42" 1313 x 912 x 1067mm
Packaging Dimensions	29.5" x 39.2" x 47.6" 750 x 995 x 1210mm	55.3" x 39" x 47.6" 1405 x 991 x 1209mm
Weight	198.4 lbs. / 90 kgs.	346.1 lbs. / 157 kgs.
Packaging Weight	253.5 lbs. / 115 kgs.	418.9 lbs. / 190 kgs.
Item Number	44379	44544

## Operation

### BEFORE USE

- Plug refrigerator into the 110-120V exclusive socket.
- After the refrigerator is running, confirm that air suction/filtration is in order and that it is sufficiently cold. After checking to make sure the refrigerator is working properly, it may be used.

### DIGITAL TEMPERATURE CONTROLLER





## FEATURES OF FUNCTION

- Small, integrated digital controller, which is applicable to the compressor of 1 Hp.
- Main functions are: temperature display/temperature control/manual-automatic/light control/value storing/self-testing/parameter locking.

## FRONT PANEL OPERATION

1. Set temperature: press **SET** button; set temperature will be displayed. Press **▲** or **▼** button to modify and store the displayed value. Press **SET** button to exit the adjustment and display the cold-room temperature.
2. If no button is pressed within 10 seconds, the cold-room temperature will be displayed.
3. Lighting: press **☼** button to activate light in refrigerator; press again to turn off. Manual start/stop defrost: press **☼** button and hold for 6 seconds to either defrost or to stop defrost.
4. Refrigeration LED: during refrigeration, the LED is on. When the cold room temperature is constant, the LED is off. During delay start, the LED flashes.
5. Defrost LED: during defrosting, the LED is on. When it stops defrosting, the LED is off. During the delay of defrost, the LED flashed.
6. Digital controller reset: when the display shows “disorder”, press **▼** button for 2 seconds until buzzer rings. Quickly press **▲** button for 6 seconds until the buzzer rings again, the display will flash for 3 seconds and it will restore to the factory settings.

## CAUTION

- Minimizing time the time and frequency that the door is open will maintain temperature.
- Never block the air outlet and suction to keep the air circulation and refrigeration capability constant.
- Do not overfill refrigerator with food, as it will influence the cooling effect. If needed, adjust the rack height for proper food storage.
- Cool down hot food to room temperature before placing inside the refrigerator.
- When power supply has been cut off, reduce opening times and maintain cool temperature in refrigerator.
- To avoid scalding, never touch the compressor.
- If the supply cord is damaged, it must be replaced by the manufacturer, its service agent, or similarly qualified persons in order to avoid hazard.
- This appliance is not intended for use by persons (including children) with reduced physical, sensory or mental capabilities, or lack of experience and knowledge, unless they have been given supervision or instruction concerning use of the appliance by a person responsible for their safety.
- Children should be supervised to ensure that they do not play with the appliance.

## Maintenance

---

1. Cabinet cleaning. The product should be cleaned once a week with the power supply disconnected. Please use mild detergent and water. Do not wash it directly with a water faucet or by submerging the unit in any way.

# Maintenance

2. De-dusting the condenser. The condenser should be cleaned every three months with the power supply disconnected. To clean the condenser, use a wire brush carefully.
3. Leaking check. Observe all connectors and welded joints for oil stains, if oil stains are visible please call Omcan.
4. Frequently observe the operation of the product. In case of any abnormal noise or smell, cut off the power supply immediately and call professionals. Do not restart the product before source of trouble is found.
5. We will not be responsible for any accidents acquired through failure to follow previous notices.

# Troubleshooting

## DIGITAL CONTROLLER TROUBLESHOOTING

Fault Code	Causes	Solutions
EE1	Open or short circuit of temperature probe.	Check if the plug on the mainboard is loose, or change the temperature probe.
EE2	Open or short circuit of defrosting probe.	Check if the plug on the mainboard is loose, or change the defrosting probe.
EE3	Open or short circuit of overheating probe.	Check if the plug on the mainboard is loose, or change the overheating probe.
EE4	Overheating probe starts protecting program 58°C / 136.4°F.	Clean the condenser.
		Repair or replace the condenser motor.
		Ensure the unit is at least 50cm away from the wall.
		Ensure the ambient temperature is within the range specified on the rating label.

## GENERAL TROUBLESHOOTING

Problems	Possible Causes	Solutions
Strange noise under the bottom shelf.	Fan blade broken.	Power off and fix the blade.
Non-refrigerating in spite of normal operation.	Unit off.	Power on.
	Melting process.	Stop melting.
	Refrigerant leaking.	Patch the leak and refill refrigerant.
	Unit failure.	Call Omcan.

# Troubleshooting

Weak air from air curtain, and higher cabinet temperature.	Evaporator blocked by frost.	Increase melting frequency.
	Inside fan damaged.	Replace the fan.
	Too low set point of temperature controller.	Adjust the set point.
	Vent blocked by storage.	Remove the storage.
Normal air curtain, but higher cabinet temperature.	Insufficient refrigerant.	Refill the refrigerant.
	Too high set point of temperature controller.	Adjust the set point for the temperature controller.
	The wind curtain disturbed by strong air flow.	Remove the disturbing factors.
	Ambient temperature or humidity beyond standards.	Improve the conditions.
Melting water overflown.	Heating pipe for melting water damaged.	Replace the heating pipe.
	Water-level controller failure.	Replace the water-level controller.
	Ambient temperature or humidity beyond standards.	Improve the conditions.
Normal air curtain, but periodical fluctuation of cabinet temperature.	Condenser contaminated.	Clean the condenser.
	Poor venting of the unit.	Improve the venting conditions.
	Heat protection of compressor failure.	Replace the heat protection.
	Capillary is blocked by ice.	Replace the drying filter.
	Temperature controller failure.	Replace the temperature controller.

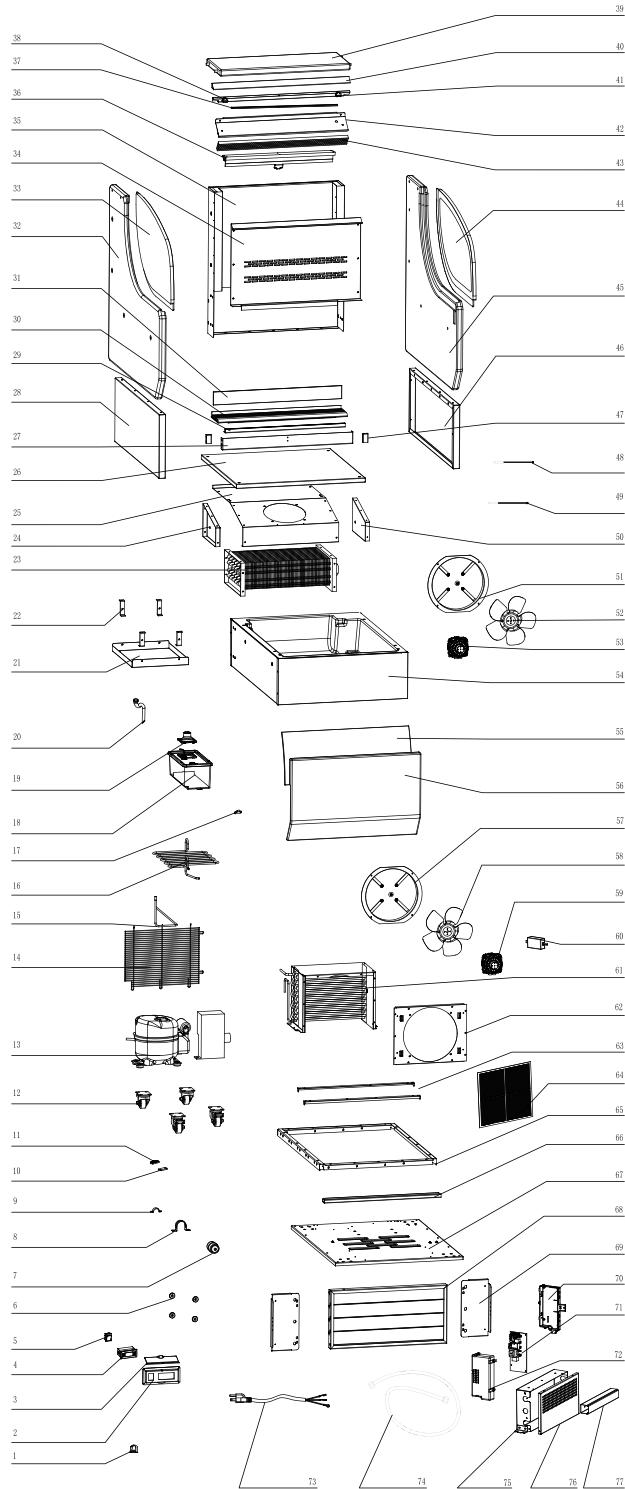
## NOTE

### Following occurrences are not problems:

- The murmur of water is heard when the refrigerator is working. It is a normal occurrence as the coolant is circulating in the system.
- When the weather is damp, condensation might be found on the outside of the refrigerator. It is caused by high humidity. Simply use cloth to wipe it off.

# Parts Breakdown

Model RS-CN-0186 44379



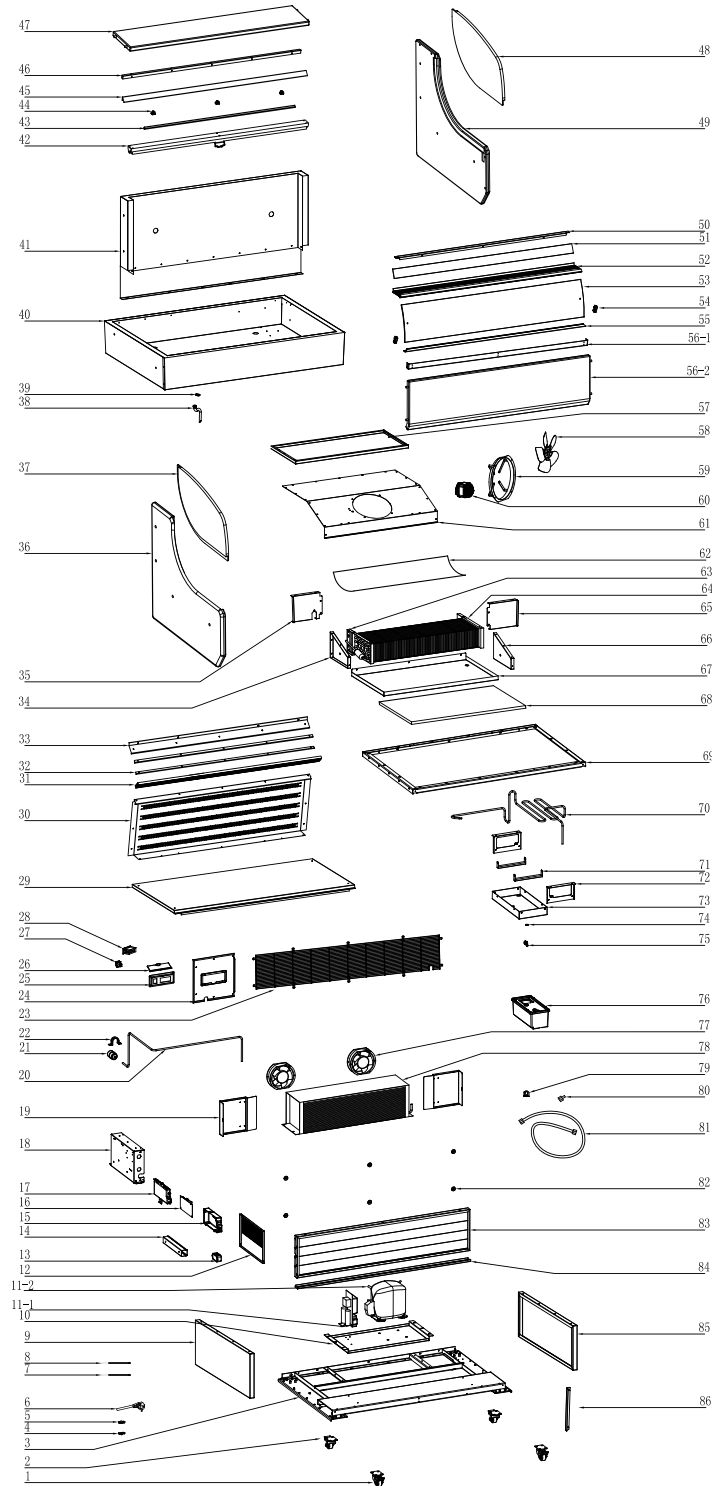
# Parts Breakdown

## Model RS-CN-0186 44379

Item No.	Description	Position	Item No.	Description	Position	Item No.	Description	Position
60670	PPR Pipe Clamp for 44379	1	68311	Evaporator Cover for 44379	26	68336	Fan for 44379	52
68298	Switch Base for 44379	2	68312	Front Decorating Board for 44379	27	68337	Motor for 44379	53
68299	Switch Base Lid for 44379	3	68313	Left Board for 44379	28	68338	Evaporator Base Board Assembly for 44379	54
68300	Display for 44379	4	68314	Windshield Strip for 44379	29	68339	Windshield for 44379	55
71514	On/Off Switch (Green) for 44379	5	68315	Air Intake for 44379	30	68340	Front Decorating Board for 44379	56
68301	Strong Magnet for 44379	6	68316	Windshield of Air Intake for 44379	31	60932	Flange for 44379	57
61224	Dry Filter for 44379	7	68317	Left Board for 44379	32	60933	Fan Blade of Condenser for 44379	58
68302	Pressing Plate of Dry Filter for 44379	8	68318	Left Glass for 44379	33	68341	Motor for 44379	59
60669	Pipe Clamp for 44379	9	68319	Rear Ventilation for 44379	34	60674	LED Transformer for 44379	60
61246	Wire Clip Holder for 44379	10	68320	Rear Board Assembly for 44379	35	68342	Condenser for 44379	61
61245	Wire Clip Cover for 44379	11	68321	Curtain for 44379	36	68343	Condenser Motor Support for 44379	62
60561	Rear Wheels for 44379	12	68322	LED for 44379	37	68344	Supporting Bar for 44379	63
60562	Front Wheels for 44379	12	60637	Jump Ring of LED for 44379	38	79368	Air Filter for 44379	64
67641	Compressor for 44379	13	68323	Top Decorating Plate for 44379	39	68345	Base Cover Assembly for 44379	65
68303	Base Net for 44379	14	68324	Top Decorating Plate for 44379	40	68346	Window-Shades Board for 44379	66
68304	Muffler for 44379	15	68325	LED Assembly for 44379	41	68347	Base for 44379	67
68305	Copper Heating Element for 44379	16	68326	Honeycomb Fixed Plate for 44379	42	68348	Window-Shades for 44379	68
60651	Curtain Hook for 44379	17	68327	Honeycomb Plate for 44379	43	68349	Base Stiffening Board for 44379	69
60587	Water Receiver for 44379	18	68328	Right Glass for 44379	44	61167	Circuit Board Box for 44379	70
79304	Pipe for Evaporated Water for 44379	19	68329	Right Board for 44379	45	67649	Main Circuit Board for 44379	71
30744	Water Pipe for 44379	20	68330	Right Board for 44379	46	60594	Cover of Circuit Board Box for 44379	72
68307	Heating Element for 44379	21	68331	Windshield Clamp for 44379	47	79290	Power Cord for 44379	73
68308	Heating Element Support for 44379	22	68332	Temperature Sensor for 44379	48	60668	Drain Pipe for 44379	74
71562	Evaporator for 44379	23	68333	Over-Heating Sensor for 44379	49	67643	Terminal Box for 44379	75
68309	Right Fixed Plate of Evaporator Motor for 44379	24	68334	Right Fixed Plate of Evaporator Motor for 44379	50	67642	Cover of Terminal Box for 44379	76
68310	Fixed Plate of Evaporator Motor for 44379	25	68335	Flange for 44379	51	60590	PVC Trucking for 44379	77

# Parts Breakdown

Model RS-CN-0370-L 44544



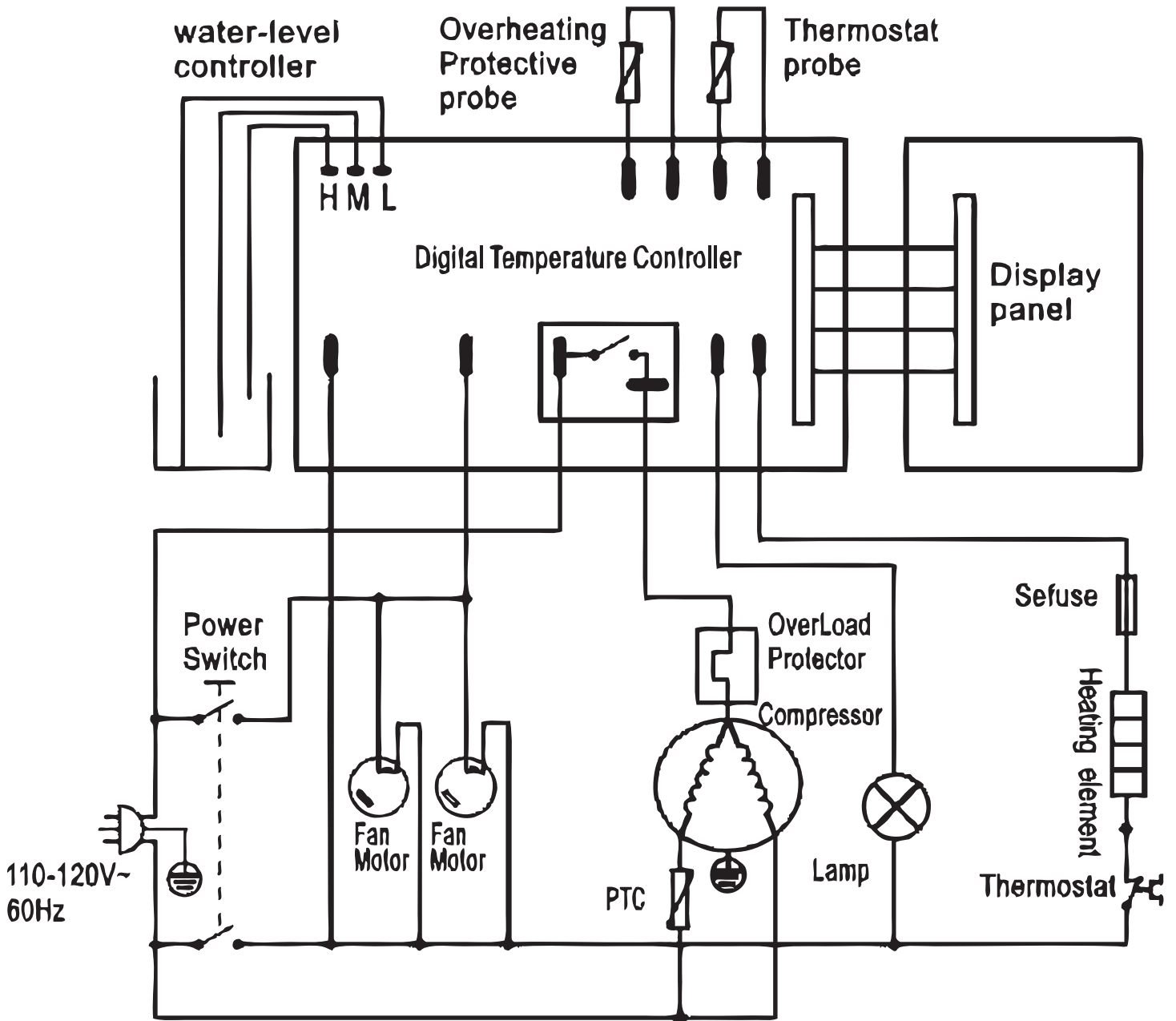
# Parts Breakdown

## Model RS-CN-0370-L 44544

Item No.	Description	Position	Item No.	Description	Position	Item No.	Description	Position
60562	Front Wheels for 44544	1	68363	Rear Ventilation Board for 44544	30	66351	Fan Blade for 44544	58
60561	Rear Wheels for 44544	2	68327	Honeycomb Plate for 44544	31	60932	Flange for 44544	59
68351	Base Assembly for 44544	3	68364	Honeycomb Fixing Plate for 44544	32	68337	Motor for 44544	60
61246	Wire Clip Holder for 44544	4	68365	Honeycomb Fixing Plate for 44544	33	68382	Dead Plate of Evaporator Motor for 44544	61
61245	Wire Clip Cover for 44544	5	68366	Left Support of Evaporator Motor for 44544	34	68383	Air Deflector for 44544	62
60726	Power Cord for 44544	6	68367	Left Baffle of Air Duct for 44544	35	68384	Evaporator for 44544	63
67690	Compressor Protect Probe for 44544	7	68317	Left Board for 44544	36	68385	Evaporator Extended Board for 44544	64
68353	Temperature Sensor for 44544	8	68318	Left Glass for 44544	37	68386	Right Baffle of Air Ducts for 44544	65
68313	Left Board for 44544	9	30744	Water Pipe for 44544	38	68387	Right Support for Evaporator Motor for 44544	66
68354	Compressor Base Board for 44544	10	68368	Snap Ring for 44544	39	68388	Evaporator Water Tray for 44544	67
68355	Compressor for 44544	11	68369	Baseboard for 44544	40	68389	Bottom Foam of Evaporator for 44544	68
67642	Cover of Terminal Box for 44544	12	68370	Rear Board for 44544	41	68390	Base Cover for 44544	69
68356	Driver for 44544	13	68371	Curtain for 44544	42	68391	High Pressure Copper Pipe for 44544	70
60590	PVC Trucking for 44544	14	68372	LED for 44544	43	60652	Platen of Heater for 44544	71
60594	Cover of Circuit Board Box for 44544	15	60637	Jump Ring of LED for 44544	44	68392	Water Tray Support for 44544	72
67649	Main Circuit Board for 44544	16	68373	Upper Decorative Sheet for 44544	45	68393	Pan of High Temperature Pipe for 44544	73
61167	Circuit Board Box for 44544	17	68374	Top Fixing Plate for 44544	46	68394	Seal Ring for 44544	74
67643	Terminal Box for 44544	18	68375	Top Decorative Sheet for 44544	47	68395	Bibcock for 44544	75
68357	Stiffening Plate of Base for 44544	19	68328	Right Glass for 44544	48	60587	Water Receiver for 44544	76
68358	High Pressure Joint Pipe for 44544	20	68329	Right Board for 44544	49	68396	Motor for 44544	77
61224	Dry Filter for 44544	21	68376	Air Intake Support for 44544	50	68397	Condenser for 44544	78
68359	Pressing Plate of Dry Filter for 44544	22	68377	Windshield of Air Intake for 44544	51	60670	PPR Pipe Clamp for 44544	79
68360	Net in Base for 44544	23	68378	Air Intake for 44544	52	68398	Copper Connection for 44544	80
68361	Switch Panel for 44544	24	68379	Windshield for 44544	53	60668	Drain Pipe for 44544	81
68298	Switch Base for 44544	25	68331	Windshield Clamp for 44544	54	68301	Strong Magnet for 44544	82
68299	Switch Base Lid for 44544	26	68380	Saddle Bar for 44544	55	68399	Window-Shades Assembly for 44544	83
71514	On/Off Switch (Green) for 44544	27	68402	Front Decorating Board for 44544	56-1	68400	Supporting Plate of Window-Shades for 44544	84
68300	Display for 44544	28	68403	Front Dead Plate for 44544	56-2	68330	Right Board for 44544	85
68362	Baseboard for 44544	29	68381	Evaporator Support for 44544	57	68401	Stiffening Strip of Switch Panel for 44544	86

# Electrical Schematics

Model RS-CN-0186 44379

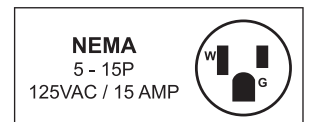
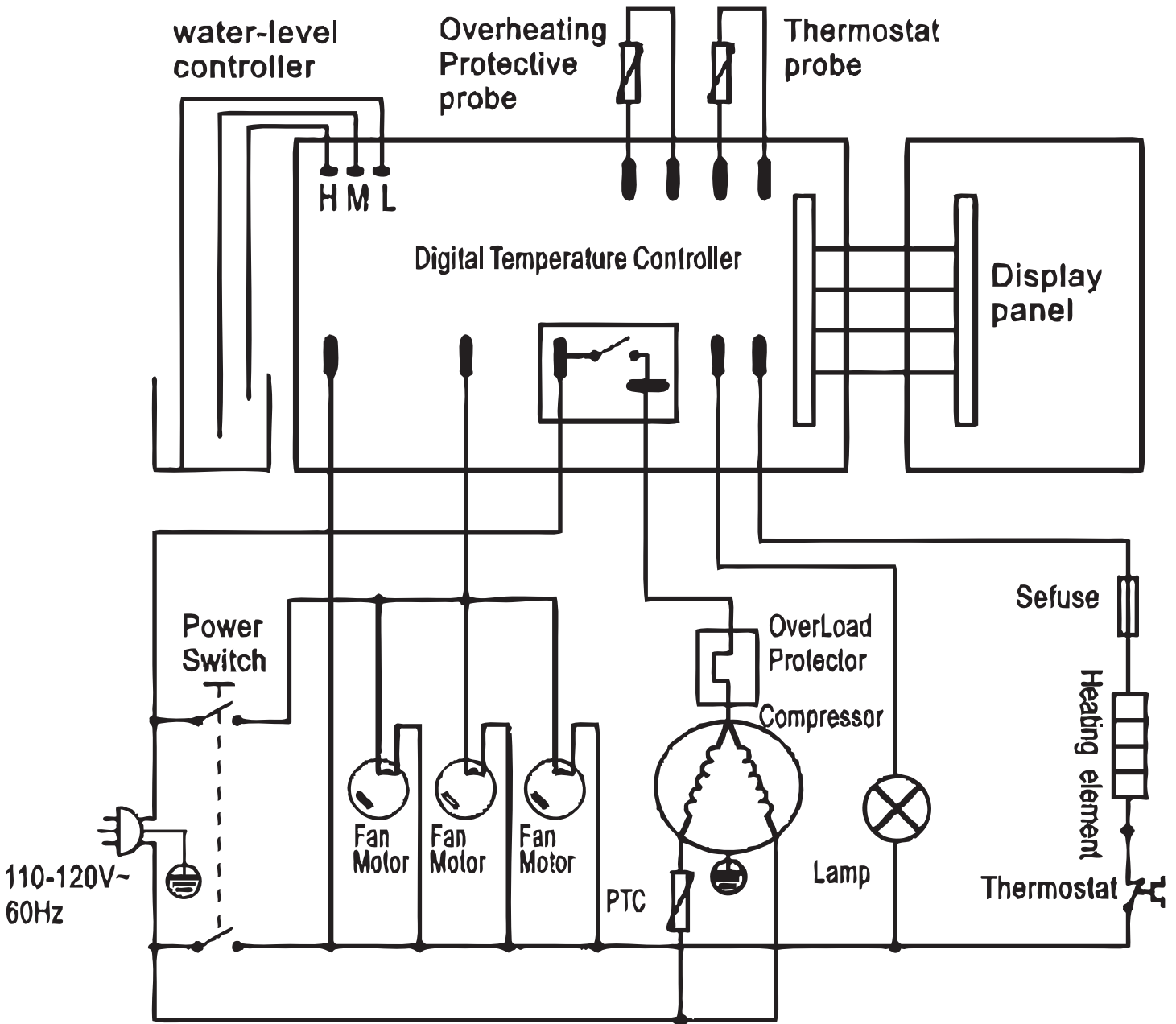


NEMA  
5 - 15P  
125VAC / 15 AMP



# Electrical Schematics

Model RS-CN-0370-L 44544







# Warranty Registration

Thank you for purchasing an Omcan product. To register your warranty for this product, complete the information below, tear off the card at the perforation and then send to the address specified below. You can also register online by visiting:

Merci d'avoir acheté un produit Omcan. Pour enregistrer votre garantie pour ce produit, complétez les informations ci-dessous, détachez la carte au niveau de la perforation, puis l'envoyer à l'adresse spécifiée ci-dessous. Vous pouvez également vous inscrire en ligne en visitant:

Gracias por comprar un producto Omcan usted. Para registrar su garantía para este producto, complete la información a continuación, cortar la tarjeta en la perforación y luego enviarlo a la dirección indicada a continuación. También puede registrarse en línea en:

<https://omcan.com/warranty-registration/>

For mailing in Canada

Pour postale au Canada

Por correo en Canadá

**OMCAN**

PRODUCT WARRANTY REGISTRATION

3115 Pepper Mill Court,

Mississauga, Ontario

Canada, L5L 4X5

For mailing in the US

Pour diffusion aux États-Unis

Por correo en los EE.UU.

**OMCAN**

PRODUCT WARRANTY REGISTRATION

4450 Witmer Industrial Estates, Unit 4,

Niagara Falls, New York

USA, 14305

*or email to: [service@omcan.com](mailto:service@omcan.com)*



Purchaser's Information

Name: \_\_\_\_\_

Address: \_\_\_\_\_

City: \_\_\_\_\_ Province or State: \_\_\_\_\_ Postal or Zip: \_\_\_\_\_

Country: \_\_\_\_\_

Dealer from which Purchased: \_\_\_\_\_

Dealer City: \_\_\_\_\_ Dealer Province or State: \_\_\_\_\_

Invoice: \_\_\_\_\_

Model Name: \_\_\_\_\_ Model Number: \_\_\_\_\_

Machine Description: \_\_\_\_\_

Date of Purchase (MM/DD/YYYY): \_\_\_\_\_

Would you like to extend the warranty?  Yes  No

Company Name: \_\_\_\_\_

Telephone: \_\_\_\_\_

Email Address: \_\_\_\_\_

Type of Company:

Restaurant  Bakery  Deli

Butcher  Supermarket  Caterer

Institution (specify): \_\_\_\_\_

Other (specify): \_\_\_\_\_

Serial Number: \_\_\_\_\_

Date of Installation (MM/DD/YYYY): \_\_\_\_\_

**Thank you for choosing Omcan | Merci d'avoir choisi Omcan | Gracias por elegir Omcan**



Since 1951 Omcan has grown to become a leading distributor of equipment and supplies to the North American food service industry. Our success over these many years can be attributed to our commitment to strengthen and develop new and existing relationships with our valued customers and manufacturers. Today with partners in North America, Europe, Asia and South America, we continually work to improve and grow the company. We strive to offer customers exceptional value through our qualified local sales and service representatives who provide convenient access to over 6,500 globally sourced products.

---

Depuis 1951 Omcan a grandi pour devenir un des “leaders” de la distribution des équipements et matériel pour l’industrie des services alimentaires en Amérique du Nord. Notre succès au cours de ces nombreuses années peut être attribué à notre engagement à renforcer et à développer de nouvelles et existantes relations avec nos clients et les fabricants de valeur. Aujourd’hui avec des partenaires en Amérique du Nord, Europe, Asie et Amérique du Sud, nous travaillons continuellement à améliorer et développer l’entreprise. Nous nous efforçons d’offrir à nos clients une valeur exceptionnelle grâce à nos ventes locales qualifiées et des représentants de service qui offrent un accès facile à plus de 6500 produits provenant du monde entier.

---

Desde 1951 Omcan ha crecido hasta convertirse en un líder en la distribución de equipos y suministros de alimentos en América del Norte industria de servicios. Nuestro éxito en estos años se puede atribuir a nuestro compromiso de fortalecer y desarrollar nuevas relaciones existentes con nuestros valiosos clientes y fabricantes. Hoy con socios de América del Norte, Europa, Asia y América del Sur, que trabajan continuamente para mejorar y crecer la empresa. Nos esforzamos por ofrecer a nuestros clientes valor excepcional a través de nuestro local de ventas y representantes de los servicios que proporcionan un fácil acceso a más de 6,500 productos con origen a nivel mundial.

