



Spiral Mixers

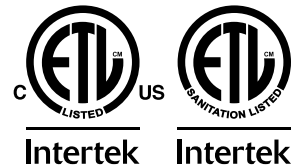
Models MX-IT-0020-F, 0030-F, 0020-R, 0030-R, 0020-FT,
0030-FT, 0020-RT, 0030-RT

Items 45417, 45418, 47087, 47088, 47417, 47418, 47287, 47288

Instruction Manual



Revised - 03/27/2024



Toll Free: 1-800-465-0234
Fax: 905-607-0234
Email: service@omcan.com
www.omcan.com



Table of Contents

Model MX-IT-0020-F / Model MX-IT-0030-F / Model MX-IT-0020-R
Model MX-IT-0030-R / Model MX-IT-0020-FT / Model MX-IT-0030-FT
Model MX-IT-0020-RT / Model MX-IT-0030-RT

Section	Page
General Information -----	3 - 4
Safety and Warranty -----	4 - 6
Technical Specifications -----	7
Installation -----	7 - 8
Operation -----	9 - 10
Maintenance -----	10 - 11
Instructions Français -----	11 - 18
Figure Drawings -----	19 - 24
Parts Breakdown -----	25 - 37
Electrical Schematics -----	38 - 39
Notes -----	40 - 42
Warranty Registration -----	43



General Information

Omcan Manufacturing and Distributing Company Inc., Food Machinery of America, Inc. dba Omcan and Omcan Inc. are not responsible for any harm or injury caused due to any person's improper or negligent use of this equipment. The product shall only be operated by someone over the age of 18, of sound mind, and not under the influence of any drugs or alcohol, who has been trained in the correct operation of this machine, and is wearing authorized, proper safety clothing. Any modification to the machine voids any warranty, and may cause harm to individuals using the machine or in the vicinity of the machine while in operation.

CHECK PACKAGE UPON ARRIVAL

Upon receipt of an Omcan shipment please inspect for external damage. If no damage is evident on the external packaging, open carton to ensure all ordered items are within the box, and there is no concealed damage to the machine. If the package has suffered rough handling, bumps or damage (visible or concealed), please note it on the bill of lading before accepting the delivery and contact Omcan within 24 hours, so we may initiate a claim with the carrier. A detailed report on the extent of the damage caused to the machine must be filled out within three days, from the delivery date shown in the shipping documents. Omcan has no recourse for damaged products that were shipped collect or third party.

Before operating any equipment, always read and familiarize yourself with all operation and safety instructions.

Omcan would like to thank you for purchasing this machine. It's of the utmost importance to save these instructions for future reference. Also save the original box and packaging for shipping the equipment if servicing or returning of the machine is required.

Omcan Fabrication et distribution Compagnie Limitée et Food Machinery d'Amérique, dba Omcan et Omcan Inc. ne sont pas responsables de tout dommage ou blessure causé du fait que toute personne ait utilisé cet équipement de façon irrégulière. Le produit ne doit être exploité que par quelqu'un de plus de 18 ans, sain d'esprit, et pas sous l'influence d'une drogue ou d'alcool, qui a été formé pour utiliser cette machine correctement, et est vêtu de vêtements de sécurité appropriés. Toute modification de la machine annule toute garantie, et peut causer un préjudice à des personnes utilisant la machine ou des personnes à proximité de la machine pendant son fonctionnement.

VÉRIFIEZ LE COLIS DÈS RÉCEPTION

Dès réception d'une expédition d'Omcan veuillez inspecter pour dommages externes. Si aucun dommage n'est visible sur l'emballage externe, ouvrez le carton afin de s'assurer que tous les éléments commandés sont dans la boîte, et il n'y a aucun dommage dissimulé à la machine. Si le colis n'a subi aucune mauvaises manipulations, de bosses ou de dommages (visible ou cachée), notez-le sur le bond de livraison avant d'accepter la livraison et contactez Omcan dans les 24 heures qui suivent, pour que nous puissions engager une réclamation auprès du transporteur. Un rapport détaillé sur l'étendue des dommages causés à la machine doit être rempli dans un délai de trois jours, à compter de la date de livraison indiquée dans les documents d'expédition. Omcan n'a aucun droit de recours pour les produits endommagés qui ont été expédiés ou cueillis par un tiers transporteur.

Avant d'utiliser n'importe quel équipement, toujours lire et vous familiariser avec toutes les opérations et les

General Information

consignes de sécurité.

Omcan voudrais vous remercier d'avoir choisi cette machine. Il est primordial de conserver ces instructions pour une référence ultérieure. Également conservez la boîte originale et l'emballage pour l'expédition de l'équipement si l'entretien ou le retour de la machine est nécessaire.

Omcan Empresa De Fabricacion Y Distribucion Inc. Y Maquinaria De Alimentos De America, Inc. dba Omcan y Omcan Inc. no son responsables de ningun daño o perjuicio causado por cualquier persona inadecuada o el uso descuidado de este equipo. El producto solo podra ser operado por una persona mayor de 18 años, en su sano juicio y no bajo alguna influencia de droga o alcohol, y que este ha sido entrenado en el correcto funcionamiento de esta máquina, y ésta usando ropa apropiada y autorizada. Cualquier modificación a la máquina anula la garantía y puede causar daños a las personas usando la máquina mientras esta en el funcionamiento.

REVISE EL PAQUETE A SU LLEGADA

Tras la recepcion de un envio Omcan favor inspeccionar daños externos. Si no hay daños evidentes en el empaque exterior, Habra el carton para asegurarse que todos los articulos solicitados estén dentro de la caja y no encuentre daños ocultos en la máquina. Si el paquete ha sufrido un manejo de poco cuidado, golpes o daños (visible o oculto) por favor anote en la factura antes de aceptar la entrega y contacte Omcan dentro de las 24 horas, de modo que podamos iniciar una reclamación con la compañía. Un informe detallado sobre los daños causados a la máquina debe ser llenado en el plazo de tres días, desde la fecha de entrega que se muestra en los documentos de envío. Omcan no tiene ningun recurso por productos dañados que se enviaron a recoger por terceros.

Antes de utilizar cualquier equipo, siempre lea y familiarizarse con todas las instrucciones de funcionamiento y seguridad.

Omcan le gustaría darle las gracias por la compra de esta máquina. Es de la mayor importancia para salvar estas instrucciones para futuras consultas. Además, guarda la caja original y el embalaje para el envío del equipo si servicio técnico o devolución de la máquina que se requiere.

Safety and Warranty

GENERAL PRECAUTIONS

The general precautions, even if taken for granted, are fundamental for installation, use maintenance and any inconveniences with respective solutions.

- The dough mixer has been projected for mixing and blending flours for food use. Every other use is to be considered improper and therefore dangerous.
- The Manufacturer cannot be held responsible in the following cases:
 - if the machine is tampered with by non authorised staff;

Safety and Warranty

- if components are replaced with non original ones;
- if the instruction in this manual are not carefully followed;
- if the machine surfaces are treated with non suitable products.
- Conserve this manual with care for future information or reference (Fig. n°21).
- The dough mixer must be used only by trained staff with perfect knowledge of the safety standards contained in this manual.
- If staff turnover is necessary, provide training beforehand.
- The dough mixer must not be used by children or incompetent persons and however by non trained persons (Fig. n°22).
- Disconnect the machine's socket from the electric network before carrying out any cleaning or maintenance operations.
- Carefully evaluate the residual risks when intervening for routine dough mixer maintenance or cleaning (therefore the tank protection is lifted).
- During maintenance or cleaning remain concentrated on the operations in progress.
- Do not use corrosive or flammable substances to clean the dough mixer (Fig. n°23); only use the product provided.
- To clean, carefully follow the instructions in the "Routine cleaning" chapter.
- Do not wash the dough mixer with jets of water, with rough or abrasive means that can ruin the surfaces. Do not immerse it in water or other liquids.
- Do not expose the dough mixer to damaging agents: sun, rain, splashes, humidity, ice (Fig. n°24).
- Do not pull the dough mixer or the power cable (Fig. n°25), to disconnect the plug from the socket.
- Regularly check the state of the power cable; a worn cable or however not integral is a serious electrical.
- If the machine is not used for a long period of time, contact the "After Sales Centre" for a test before use.
- If the machine should assume or show signs of malfunctioning, it is recommended that it is not used and do not intervene directly for repairing but contact "After sales centre", visible on the back of this manual.
- Do not leave the dough mixer insert if not necessary. Pull out the plug when the machine is not being used.
- Even if the machine has safety systems installed on the dangerous points, do not place hands, arms or any other part of the body near to the tank and the moving parts inside it.

SAFETY SYSTEMS INSTALLED ON THE MACHINE

MECHANICAL SAFETY SYSTEMS

Regarding the mechanical safety systems, the dough mixer described in this manual conforms to:

- The UL 763 and CSA 22.2 norms.

The safety systems are:

- Lid for rotating tank (Fig. n°28 ref. n°1);
- Tank protection (Fig. n°28 ref. n°2).

ELECTRICAL SAFETY SYSTEMS

Regarding the electrical safety systems, the dough mixer described in this manual conforms to:

- The UL 763 norm;
- The CSA 22.2 norm.

Safety and Warranty

The dough mixer is envisioned with:

- Thermal protection circuit breaker with manual reset, on back of machine, which stops the machine when current overload or motor jamming occur (Fig. n°29).
- A micro switch on the protection, located on the tank, that stops the machine if it is lifted and does not allow switch on unless the protection is closed (Fig. n°30).
- Relay in the control circuit that requires restarting the machine in case of accidental lack of power supply (Fig. n°31).

For the liftable head and removable bowl versions:

- A microswitch on bowl guard and head release, causes the machine to stop when the guard is lifted or the head is released (Fig. No. 32).
- A proximity sensor that detects if the bowl is in position or has been removed (Fig. No. 32).

Even though the professional dough mixers are equipped with regulation measures for electrical and mechanical protections (both during functioning and during cleaning and maintenance), there are however RESIDUAL RISKS that cannot be totally eliminated and are recalled in this manual under the form of ATTENTION. These relate to danger of contusions or other caused by the tank or other machine components.

RESIDENTIAL USERS: vendor assumes no liability for parts or labor coverage for component failure or other damages resulting from installation in non-commercial or residential applications. The right is reserved to deny shipment for residential usage; if this occurs, you will be notified as soon as possible.

1 YEAR PARTS AND LABOUR WARRANTY

Within the warranty period, contact Omcan Inc. at 1-800-465-0234 to schedule an Omcan authorized service technician to repair the equipment locally.

Unauthorized maintenance will void the warranty. Warranty covers electrical and part failures, not improper use.

Please see <https://omcan.com/disclaimer> for complete info.

WARNING:

The packaging components (cardboard, polyethylene, and others) are classified as normal solid urban waste and can therefore be disposed of without difficulty.

In any case, for suitable recycling, we suggest disposing of the products separately (differentiated waste) according to the current norms.

DO NOT DISCARD ANY PACKAGING MATERIALS IN THE ENVIRONMENT!

Technical Specifications

FIXED BOWL UNITS

Model	MX-IT-0020-F	MX-IT-0020-FT	MX-IT-0030-F	MX-IT-0030-FT
Item Number	45417	47417	45418	47418
Power	750 W / 1 HP		1100 W / 1.5 HP	
Electrical	110-120V / 60Hz / 1Ph		220V / 60Hz / 1Ph	
RPM (Bowl/Spiral)	10 / 85			
Bowl Dimensions (Dia. x H)	14.2" x 8.3" / 361 x 211mm		15.7" x 10.2" / 399 x 259mm	
Net Weight	153.7 lbs. / 69.7 kgs.		210.3 lbs. / 95.4 kgs.	
Packaging Weight	179 lbs. / 81.2 kgs.		235.7 lbs. / 106.9 kgs.	
Net Dimensions (DWH)	26.8" x 15.4" x 24.6" / 681 x 391 x 625mm		29.1" x 17.3" x 27.6" / 739 x 439 x 701mm	
Packaging Dimensions	22.8" x 32.7" x 39.4" / 579 x 831 x 1001mm			

REMOVABLE BOWL UNITS

Model	MX-IT-0020-R	MX-IT-0020-RT	MX-IT-0030-R	MX-IT-0030-RT
Item Number	47087	47287	47088	47288
Power	750 W / 1 HP		1100 W / 1.5 HP	
Electrical	110-120V / 60Hz / 1Ph		220V / 60Hz / 1Ph	
RPM (Bowl/Spiral)	10 / 85			
Bowl Dimensions (Dia. x H)	14.2" x 8.3" / 361 x 211mm		15.7" x 10.2" / 399 x 259mm	
Net Weight	184.1 lbs. / 83.5 kgs.		239.2 lbs. / 108.5 kgs.	
Packaging Weight	209.4 lbs. / 95 kgs.		264.6 lbs. / 120 kgs.	
Net Dimensions (DWH)	29.6" x 15.7" x 25" / 752 x 399 x 635mm		32.4" x 17.3" x 28" / 823 x 439 x 711mm	
Packaging Dimensions	22.8" x 32.7" x 39.4" / 579 x 831 x 1001mm			

Installation

ATTENTION!

All operations must be carried out by specialised staff (Fig. n°9).

Installation

UNPACKING

1. Remove the strips from the packaging (Fig. n°10) and lift (h) the cardboard box. The machine is fixed with two plates to the pallet.

POSITIONING

Position the pallet, with the dough mixer, on a flat surface and unscrew (a) the screws that fix the machine to the pallet (Fig. n°12). At this point, with care, turn the machine over onto one side and unscrew the screws to remove the anchoring plates (b). Fix the screws removed onto the bottom cover. Position the dough mixer in the predestined place. The surface on which the dough mixer is to be positioned must take into consideration the dimensions indicated in Tab. 1 (based on the model) therefore the support surfaces must be wide enough to contain it (Fig. n°13) and must be well levelled and dry away from water and heat sources with suitable ventilation and lighting in relation to the space necessary for its use and safe keeping. (The machine must also be positioned in a non saline room with a maximum humidity of 75% and a temperature included between +5°C and +35°C; however in rooms that can not cause malfunctioning of the machine).

ELECTRIC CONNECTION

Check that the data reported on the technical plate-serial number (Fig. n°15), on the dispatch note and in the order carried out correspond; If this is not the case, immediately contact the manufacturer for an explanation. Make sure at this point that the plant is up to standards and that the cable and the earth plant function perfectly.

The dough mixer is equipped with a UL listing power supply cord and a plug. Connect the dough mixer with a 120 V. / 230V. - 60 Herz electric circuit. Moreover check that features on the rating plate - serial number (FIG. n°15) correspond to the features shown in the consignment and delivery note.

PRELIMINARY CHECKS

Before testing make sure that the protection located on the tank is lowered up to slightly touching the bowl, after which test functioning as follows:

- Activate the "START" button and the "STOP" button (Fig. n°18);
- Check that when lifting the protection the machine stops functioning;
- With the machine on, remove the plug and reinsert it to check if the machine does not automatically restart;
- In the liftable head and removable bowl versions, check if the machine stops running when the head is unlatched (Fig. No. 19);
- TIMER optional;

In models with a liftable head, make sure that the head and guard are completely lowered before testing the machine. The head must be horizontal and the locking knob must be pointed down (Fig. No. 20). Also verify that the bowl is correctly inserted and locked by the disc. After these operations have been completed, it is possible to begin the functional verification as described above.

STARTING UP THE MACHINE

For 1st use strictly follow the following instructions:

- Check that installation has been carried out correctly as indicated in chapter 2;
- Lift the tank's lid (Fig. 35) and pour inside the tank all of the water and other liquids necessary for the dough;
- Add about 50% of the flour and the other solid ingredients (Fig. 36);
- Close the lid by lowering it up to slightly touching the tank;
- Check before any other operation that the main switch is ON;
- Before switch on, check the voltage of the distribution network by means of switch on of the "NETWORK" warning light (Fig. 37);
- Press the "START" button to start the machine that will start the work cycle;
- After 2-3 minutes stop the machine by pressing the "STOP" button;
- Lift the lid and insert the remaining flour;
- Close the lid and start the machine that will blend all ingredients, transforming it into a homogeneous dough;
- A thermal overload protection circuit breaker stops the machine in case of a motor jamming. After removing its cause, you can reset the protection and restart the machine in few minutes.
- At the end of the cycle, the dough will detach from the tank walls, therefore stop the machine;
- If need be, to slightly modify the characteristics of the dough without stopping the machine, pour in the ingredients using the opening on the tank protection (Fig. 38).
- Before lifting the protection and removing the dough to be placed on the work bench, pull the plug out of the socket.

MACHINE WITH LIFTABLE HEAD AND REMOVABLE BOWL

Machines with liftable head and removable bowl, though basically working the same as the fixed head and bowl versions, differentiate themselves because of what they can offer at the end of each work cycle:

- Simplifying the removal of dough from the mixer.
- Saving time in the cleaning phase.

For machine use proceed as described in paragraph 5.1 and at the end of each cycle complete these steps (Fig. No.39):

- After stopping the machine and unplugging the power supply cable, lift the bowl guard completely.
- Rotate the release knob until the head is unlocked.
- Lift head using the piston below it.
- Rotate the disc clockwise to unlock the bowl.
- Lift and remove the bowl, then remove the mixture.

Once the machine has been emptied, re-assemble the bowl making sure the four pins below are correctly inserted into the holes in the disc, then rotate it counter clockwise (Fig. No. 40). Reposition the head horizontally by pushing it to lower it progressively. Rotate the release knob to lock it into position.

Operation

PRODUCTIVITY AND DURATION OF THE PRODUCTION CYCLE

For each model that maximum production capacity for each cycle is indicated as in Tab. 1-2. The duration of the work cycle, in relation to the machine model, can vary from about 14 to 20 minutes. In models with a timer the work time can be set from 1 to 30 minutes, rotating the knob (Fig. n°41) to the desired position and starting the machine. When the prefixed time limit is reached, the timer stops the machine. Do not exceed the quantity of dough that the machine can produce in each operational cycle indicated also in Tab.1 (depending on the model). Adding water and other ingredients to the mass already partially mixed inside the tank must be carried out gradually to the indicative proportion of about 2 Kg of flour for each litre of liquid. Pour first the water then the flour into the tank.

Maintenance

GENERAL

- The machine must be cleaned at least once a day or if necessary, more frequently.
- All dough mixer parts that come into direct or indirect contact with the processed foodstuff must be scrupulously cleaned.
- Do not use hydro cleaners, high pressure water jets but neutral detergents (pH 7) to clean the dough mixer. Any other product is forbidden. Do not use tools, brushes and other than can superficially damage the machine.

Before carrying out any cleaning operation:

- Disconnect the plug to fully isolate the machine from the rest of the plant.

CLEANING THE MACHINE

The tank, the shaft and the spiral must be cleaned at the end of each working cycle and must be carried out using hot water and a sponge. Carefully dry each element at the end of the cleaning operation. Use a sponge wet slightly with a small amount of detergent and non harmful sanitizer to clean the outside of the machine. Do not use abrasive detergents, detergent creams, solvents or diluents; residuals of these products can dangerously contaminate the foodstuff during successive processing. Do not use abrasives or metallic chaffs to prevent damaging the surfaces by scratching.

MAINTENANCE

GENERAL

Before carrying out any maintenance operation it is necessary that:

- The plug be disconnected from the network in order to isolate completely the machine from the rest of the plant.

Maintenance

TIGHTENING THE TOP CHAIN

The chain must be tightened if, when carrying out excessive checks it is loose or if spiral rotation is not constant. In this case call the "AFTER SALES CENTRE" for retightening.

GREASING THE CHAINS

It is recommended that both drive chains be greased periodically using suitable grease to guarantee lubrication of all chain links.

POWER CABLE

Periodically check the wear of the cable and if necessary call the "AFTER SALES CENTRE" to replace.

LONG PERIODS OF INACTIVITY

If having to leave the machine inactive for a long period of time, carefully clean and sanitize the machine. Protect it from dust using a clean dry cloth that can fully cover up to the base.

PUSH BUTTON PANEL LABEL

Over time the push button panel could become marked and/or pierced. In this case call the "AFTER SALES CENTRE" to replace.

DISMANTLING

OUT OF SERVICE

If for some reasons it is decided to put the machine out of service, make sure that it cannot be used by anyone: detach or cut the electrical connections.

DISPOSAL

Once the machine is put out of service it can be easily disposed of. To correctly dispose of the slicer, ask any company assigned to such a service carefully observing the materials used for the various components.

Instructions Français

SÉCURITÉ ET GARANTIE

PRECAUTIONS GENERALES

Les précautions générales, même si elles peuvent sembler évidentes, sont fondamentales pour l'installation, l'utilisation, la maintenance et les problèmes éventuels ainsi que leurs solutions.

- Le pétrin a été projeté pour mélanger et amalgamer les farines pour l'utilisation alimentaire. Tout autre usage est considéré impropre et donc dangereux.
- Le fabricant est déchargé de toute responsabilité dans les cas suivants:
 - si la machine est altérée par un personnel non autorisé;

Instructions Français

- si les composants sont remplacés par des composants non originaux;
- si les instructions de ce manuel ne sont pas suivies scrupuleusement;
- si les surfaces de la machine sont traitées avec des produits inadéquats.
- Conserver soigneusement ce manuel pour d'ultérieures informations ou consultations (Fig. n°21).
- Le pétrin doit être utilisé uniquement par un personnel préparé qui doit connaître parfaitement les normes de sécurité contenues dans ce manuel.
- En cas de roulement du personnel, effectuer à temps la formation de celui-ci.
- Ne pas permettre l'utilisation du pétrin de la part des enfants ou personnes incapables, et de toute façon de personnes non préparées (Fig. n°22).
- Avant d'effectuer toute opération de nettoyage ou de maintenance, débrancher la prise de la machine du réseau d'alimentation électrique.
- Durant les interventions de maintenance ordinaire ou de nettoyage du pétrin (et donc avec la protection du bac soulevée), évaluer attentivement les risques résiduels.
- Durant la maintenance ou le nettoyage, rester concentré sur les opérations en cours.
- Pour le nettoyage du pétrin, ne pas utiliser de substances corrosives ou inflammables (Fig. n°23).
- Pour le nettoyage, suivre attentivement les instructions du chapitre: "Nettoyage ordinaire".
- Ne pas laver le pétrin avec des jets d'eau, des instruments rugueux ou abrasifs qui risquent d'endommager les surfaces, ne pas le plonger dans l'eau ou dans d'autres liquides.
- Ne pas exposer le pétrin aux agents dangereux: soleil, pluie, éclaboussures, humidité, glace (Fig. n°24).
- Ne pas tirer le pétrin, ou le câble de l'alimentation (Fig. n°25) pour débrancher la fiche de l'alimentation.
- Contrôler régulièrement l'état du câble de l'alimentation; un câble usé ou qui de toute façon n'est pas intact représente un sérieux danger de nature électrique.
- Si la machine n'est pas utilisée pendant de longues périodes, avant de l'utiliser de nouveau, la faire contrôler par un "Centre d'Assistance".
- En cas de dysfonctionnement suspect du pétrin, il est recommandé de l'éteindre et de ne pas l'utiliser, de ne pas effectuer directement les réparations, et de contacter le "Centre d'Assistance", repérable au verso de ce manuel.
- Ne pas laisser branché le pétrin inutilement. Débrancher la fiche de l'alimentation quand la machine n'est pas utilisée.
- Même si des dispositifs de sécurité sont installés sur la machine dans les points dangereux, éviter d'approcher les mains, les bras ou toute autre partie du corps près du bac et des parties en mouvements à l'intérieur de celui-ci.

DISPOSITIFS DE SECURITE INSTALLES SUR LA MACHINE

DISPOSITIFS DE SÉCURITÉ MÉCANIQUE

En ce qui concerne les dispositifs de sécurité de nature mécanique, le pétrin décrit dans ce manuel est conforme:

- Aux directives UL 763 et CSA 22.2.

Les dispositifs de sécurité sont obtenus par:

- Couvercle du bac pivotant (Fig. n°28 réf. n°1);
- Protection du bac (Fig. n°28 réf. n°2).

Instructions Français

DISPOSITIFS DE SÉCURITÉ ÉLECTRIQUE

En ce qui les dispositifs de sécurité de nature électrique, le pétrin décrit dans ce manuel est conforme:

- À la directive UL 763;
- À la directive CSA 22.2.

Le pétrin est ainsi prévu de:

- Protection thermique avec rétablissement manuel, placée sur le carter postérieur, qui arrête le pétrin en cas de surintensité électrique ou de blocage du moteur (Fig. n°29).
- Micro-interrupteur sur couvercle du bac, qui provoque l'arrêt de la machine si la protection est soulevée, et ne permet pas la mise en marche si la protection n'est pas complètement fermée (Fig. n°30);
- Relais dans le circuit de commande, qui nécessite de l'opération de remise en marche de la machine en cas de coupure de courant accidentelle (Fig. n°31).

Pour les versions avec tête mobile et cuve extractible:

- Micro-interrupteur cuve et déblocage de la tête, qui provoque l'arrêt de la machine si on soulève la protection ou que l'on débloque la tête (Fig. n° 32).
- Capteur de proximité qui révèle si la cuve est en position ou si elle est enlevée (Fig. n°32).

Bien que les pétrins professionnels CE soient dotés des mesures normatives pour les protections électriques et mécaniques (aussi bien en phase de fonctionnement que de nettoyage et maintenance), il existe toutefois des RISQUES RESIDUELS non totalement éliminables, rappelés dans ce manuel sous la forme d'ATTENTION. Ils concernent le risque de contusions et autre causés par le bac ou d'autres composants de la machine.

UTILISATEURS RÉSIDENTIELS: le fournisseur n'assume aucune responsabilité pour la couverture des pièces ou de la main-d'œuvre en cas de défaillance des composants ou d'autres dommages résultant de l'installation dans des applications non commerciales ou résidentielles. Le droit est réservé de refuser l'expédition pour un usage résidentiel; si cela se produit, vous en serez informé dans les plus brefs délais.

GARANTIE 1 AN PIÈCES ET MAIN D'OEUVRE

Dans la période de garantie, contacter Omcan Inc. au 1-800-465-0234 pour planifier une Omcan technicien autorisé à réparer l'équipement localement.

Entretien non autorisée annulera la garantie. La garantie couvre les pannes électriques et une partie pas une mauvaise utilisation.

S'il vous plaît voir <https://omcan.com/disclaimer> pour info complète.

ATTENTION:

Les composants de l'emballage (carton, polyéthylène et autres) sont classés comme déchets solides urbains normaux et peuvent donc être éliminés sans difficulté.

Dans tous les cas, pour un recyclage approprié, nous suggérons de jeter les produits séparément (déchets différenciés) selon les normes en vigueur.

Instructions Français

NE JETEZ AUCUN MATERIEL D'EMBALLAGE DANS L'ENVIRONNEMENT!

SPÉCIFICATIONS TECHNIQUES

UNITÉS DE BOL FIXES

Modèle	MX-IT-0020-F	MX-IT-0020-FT	MX-IT-0030-F	MX-IT-0030-FT
Numéro d'article	45417	47417	45418	47418
Pouvoir	750 W / 1 HP		1100 W / 1.5 HP	
Électrique	110-120V / 60Hz / 1Ph		220V / 60Hz / 1Ph	
Rotation (bol/spirale)	10 / 85			
Dimensions du réservoir (Dia. x H)	14.2" x 8.3" / 361 x 211mm		15.7" x 10.2" / 399 x 259mm	
Poids Net	153.7 lbs. / 69.7 kgs.		210.3 lbs. / 95.4 kgs.	
Poids de l'emballage	179 lbs. / 81.2 kgs.		235.7 lbs. / 106.9 kgs.	
Dimensions Net (DWH)	26.8" x 15.4" x 24.6" / 681 x 391 x 625mm		29.1" x 17.3" x 27.6" / 739 x 439 x 701mm	
Dimensions de l'emballage	22.8" x 32.7" x 39.4" / 579 x 831 x 1001mm			

UNITÉS DE BOL AMOVIBLES

Modèle	MX-IT-0020-R	MX-IT-0020-RT	MX-IT-0030-R	MX-IT-0030-RT
Numéro d'article	47087	47287	47088	47288
Pouvoir	750 W / 1 HP		1100 W / 1.5 HP	
Électrique	110-120V / 60Hz / 1Ph		220V / 60Hz / 1Ph	
Rotation (bol/spirale)	10 / 85			
Dimensions du réservoir (Dia. x H)	14.2" x 8.3" / 361 x 211mm		15.7" x 10.2" / 399 x 259mm	
Poids Net	184.1 lbs. / 83.5 kgs.		239.2 lbs. / 108.5 kgs.	
Poids de l'emballage	209.4 lbs. / 95 kgs.		264.6 lbs. / 120 kgs.	
Dimensions Net (DWH)	29.6" x 15.7" x 25" / 752 x 399 x 635mm		32.4" x 17.3" x 28" / 823 x 439 x 711mm	
Dimensions de l'emballage	22.8" x 32.7" x 39.4" / 579 x 831 x 1001mm			

Instructions Français

INSTALLATION

ATTENTION!

Toutes les opérations doivent être effectuées par un personnel technique spécialisé (Fig. n°9).

DEBALLAGE

1. Enlever les feuillets de l'emballage (Fig. n°10) et soulever (h) le carton. L'emballage se présentera avec la machine fixée à la palette par deux plaques.

POSITIONNEMENT

Positionner la palette, avec le pétrin, sur une surface plane et dévisser (a) les vis qui fixent la machine à la palette (Fig. n°12). A ce point, renverser la machine avec précaution sur un côté et dévisser les vis pour enlever les plaques d'ancrage (b). Fixer les vis enlevées sur le couvercle inférieur. Positionner le pétrin dans l'endroit prévu. La surface sur laquelle le pétrin devra être installé doit tenir compte des dimensions d'appui indiquées au Tabl. 1-2 (en fonction du modèle), et doit donc être suffisamment large (Fig. n°13); la machine doit appuyer sur une surface mise à niveau, sèche, loin de l'eau et de la chaleur, bien ventilée et éclairée, par rapport à la place nécessaire pour son utilisation et sauvegarde. En outre, elle doit être placée dans un milieu ayant une humidité max. de 75% non saline et une température comprise entre +5°C et +35°C; et de toute façon, dans des milieux qui ne compromettent pas le fonctionnement de la machine.

RACCORDEMENT ELECTRIQUE

Vérifier que les données indiquées sur la plaquette technique-matricule (Fig. n°15), celles des documents de livraison et du bon de commande correspondent; dans le cas contraire, contacter le fournisseur pour toute explication. S'assurer à ce point que l'installation soit conforme et que le câble et l'installation à la terre fonctionnent parfaitement.

Le pétrin est équipé d'un cordon d'alimentation homologué UL et d'une prise. Branchez le pétrin avec un 120 V. / 220V. - Circuit électrique 60 Herz. Vérifier en outre que les caractéristiques de la plaque signalétique - numéro de série (FIG. N ° 15) correspondent aux caractéristiques indiquées dans la lettre de voiture et le bon de livraison.

CONTROLE PRELIMINAIRE

Avant d'effectuer l'essai de la machine, s'assurer que la protection située sur le bac soit complètement baissée à effleurer la cuve, essayer ensuite le fonctionnement de la façon suivante:

- Actionner la touche de marche "START" et la touche d'arrêt "STOP" (Fig. n°18);
- Contrôler que la machine s'arrête lorsqu'on soulève la protection;
- Contrôler avec la machine en marche, qu'en débranchant la fiche de courant puis en la rebranchant, la machine ne reparte pas automatiquement;
- Pour les versions avec la tête mobile et la cuve extractible, contrôler si en décrochant la tête la machine cesse de fonctionner (Fig. n°19);

Instructions Français

- Contrôle efficacité MINUTERIE en option.

Nous recommandons de contrôler périodiquement les points B, C et D. En cas de mauvais fonctionnement, nous recommandons de ne pas utiliser l'appareil, de débrancher la fiche et d'appeler le CENTRE D'ASSISTANCE. Dans les modèles avec la tête que l'on peut lever, s'assurer que la tête et la protection soient abaissées. La tête doit être en position horizontales et la manette de blocage doit être tournée vers le bas. (Fig. n°20). Vérifier que la cuve soit correctement insérée et bloquée par le disque. Après avoir effectué ces opérations on peut passer à la vérification fonctionnelle comme cela est décrit ci-dessus.

OPÉRATION

MISE EN MARCHÉ DE LA MACHINE

Pour la 1° utilisation, suivre les instructions suivantes:

- Contrôler que l'installation soit faite correctement comme au chapitre 2;
- Soulever le couvercle du bac (Fig. 35) et verser à l'intérieur du bac toute l'eau et les autres liquides nécessaires pour le pétrissage;
- Ajouter environ 50% de la farine et des autres ingrédients solides (Fig.36);
- Refermer le couvercle en le baissant complètement à effleurer le bac;
- Vérifier, avant toute opération, que l'interrupteur général se trouve sur la position ON;
- Avant la mise en marche, vérifier la présence de tension dans le réseau de distribution, à travers l'allumage du voyant du "RESEAU" (Fig. 37)
- Appuyer sur la touche "START" pour mettre en marche la machine qui commencera le cycle de travail
- Après 2-3 min., arrêter la machine en appuyant sur la touche "STOP"
- Soulever le couvercle et introduire la farine restante
- Refermer le couvercle et mettre en marche la machine qui continuera à mélanger tous les ingrédients, en les transformant en une pâte homogène.
- En cas de blocage du moteur la protection intervient et arrête le moteur; après avoir levée la cause du blocage, la protection peut être rétablie manuellement après quelques minutes.
- En fin de cycle, la pâte se détachera des parois du bac; par conséquent, arrêter la machine
- Le cas échéant, pour modifier légèrement les caractéristiques de la pâte sans devoir arrêter la machine, verser les ingrédients à travers l'ouverture sur la protection du bac (Fig. 38).
- Avant de soulever la protection et retirer la pâte et la mettre sur une table de travail, débrancher la fiche de l'alimentation du réseau.

MACHINE AVEC TETE MOBILE ET CUVE EXTRACTIBLE

Les machines avec la tête mobile et la cuve extractible tout en étant sous l'aspect de la fonctionnalité égales aux versions avec tête et cuve fixe, différent cependant par les possibilités offertes à la fin de chaque cycle de travail:

- Vidage de la cuve simplifié.
- Un nettoyage plus aisé.

Pour l'utilisation de la machine procéder comme cela est décrit dans le paragraphe 5.1 et à la fin de chaque cycle exécuter les opérations suivantes (Fig. n°39):

Instructions Français

- Après avoir arrêté la machine et enlever la prise d'alimentation, soulever complètement la protection sur la cuve.
- Tourner la manette de décrochage jusqu'à débloquer la tête.
- Soulever la tête avec l'aide du piston situé en-dessous.
- Prélever la pâte et la poser sur le plan de travail.
- Si nécessaire, retirer la cuve pour simplifier le nettoyage.

Une fois les opérations de nettoyage terminées, bien sécher la cuve et la remonter en s'assurant que les quatre axes situés en dessous sont correctement insérés dans les trous du disque, puis tourner ce dernier dans le sens inverse des aiguilles d'une montre (Fig. n°40). Repositionner horizontalement la tête en l'appuyant progressivement vers le bas et tourner la manette de décrochage pour la bloquer.

PRODUCTIVITE ET DUREE DU CYCLE DE TRAVAIL

La capacité maximum de production pour chaque cycle est indiquée pour chaque modèle au Tabl. 1-2. La durée de chaque cycle de travail peut varier de 14 à 20 minutes environ, en fonction du modèle de la machine. Dans les modèles avec minuterie, le temps de travail peut être configuré de 1 à 30 minutes, en tournant la manette (Fig. n°41) sur la position souhaitée et en mettant la machine en marche. Une fois que le temps programmé s'est écoulé, la minuterie arrête la machine. Ne pas dépasser la quantité de pâte que la machine peut produire pour chaque cycle d'opération indiquée au Tabl. 1-2 (en fonction du modèle). Le supplément d'eau et des autres ingrédients ajoutés à la pâte déjà partiellement pétrie à l'intérieur du bac doit être graduel et dans la proportion indicative d'environ 2 Kg de farine pour chaque litre de liquide. Verser dans le bac d'abord l'eau puis la farine.

MAINTENANCE

GENERALITES

- Le nettoyage de la machine est une opération qu'il faut effectuer au moins une fois par jour ou, si nécessaire, plus fréquemment.
- Le nettoyage de toutes les parties du pétrin en contact direct ou indirect avec les aliments doit être effectué soigneusement.
- Le pétrin ne doit pas être nettoyé avec des nettoyeurs à haute pression ou des jets d'eau, mais avec des détergents neutres (pH 7). L'utilisation de tout autre produit détergent est interdite. Ne jamais utiliser des instruments, brosses ou autres qui peuvent endommager la superficie de la machine.

Avant d'effectuer toute opération de nettoyage, il faut:

- Débrancher la fiche de l'alimentation du réseau pour isoler complètement la machine du reste de l'installation.

NETTOYAGE DE LA MACHINE

Le nettoyage du bac, de la tige pour briser la pâte et de la spirale, qu'il faut exécuter après chaque cycle de travail, doit s'effectuer avec de l'eau chaude et une éponge. Après le nettoyage, essuyer convenablement

Instructions Français

chaque élément. Pour effectuer le nettoyage de l'extérieur de la machine, utiliser une éponge légèrement imbibée d'une petite quantité de détergent inodore, non nocif. Ne pas utiliser de détergents abrasifs, crèmes détergentes anticalcaires, solvants ou diluants; les résidus de ces produits peuvent contaminer dangereusement les substances alimentaires durant les cycles de travail successifs. Ne pas utiliser d'abrasifs ou de pailles de fer, pour éviter d'égratigner et de rayer les surfaces.

MAINTENANCE

GENERALITES

Avant d'effectuer toute opération de maintenance, il faut:

- Débrancher la fiche de l'alimentation du réseau pour isoler complètement la machine du reste de l'installation.

MISE A TENSION DE LA CHAINE SUPERIEURE

La chaîne doit être soumise à tension si au cours des vérifications périodiques il y a un relâchement excessif de celle-ci ou si la rotation de la spirale est inconstante. Dans ce cas, appeler le "CENTRE D'ASSISTANCE" pour la remise à tension.

GRAISSAGE DES CHAINES

Il est conseillé de graisser périodiquement les deux chaînes de transmission avec de la graisse appropriée pour garantir la lubrification de toutes les mailles des chaînes.

CABLE D'ALIMENTATION

Contrôler périodiquement l'état d'usure du câble et appeler éventuellement le "CENTRE D'ASSISTANCE" pour le remplacement.

LONGUES PERIODES D'INACTIVITE

Si la machine ne devait pas être utilisée pour une longue période, il faudra la nettoyer et hygiéniser très soigneusement. La protéger de la poussière en la recouvrant complètement jusqu'à la base avec un linge propre et sec.

ETIQUETTE DU CLAVIER

Avec le temps, l'étiquette du clavier pourrait s'abîmer et/ou se trouer. Dans ce cas, appeler le "CENTRE D'ASSISTANCE" pour le remplacement.

DEMANTELEMENT

MISE HORS SERVICE

Si pour n'importe quelle raison, la machine devait être mise hors service, s'assurer que personne ne puisse plus l'utiliser: débrancher et couper les raccordements électriques.

DISPOSITION

Une fois la machine mise hors service, elle peut être facilement éliminée. Pour éliminer correctement la trancheuse, adressez-vous à toute entreprise affectée à un tel service en respectant attentivement les matériaux utilisés pour les différents composants.

Figure Drawings

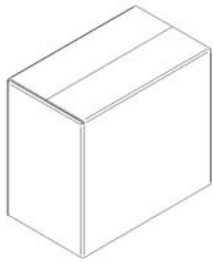


Fig. n°1

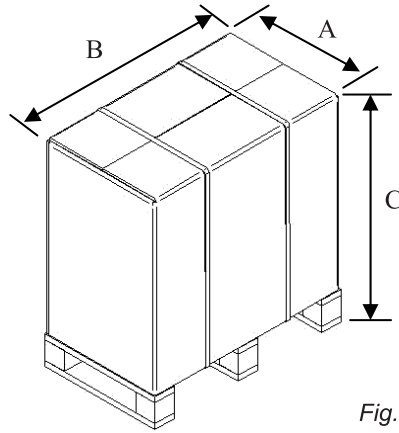
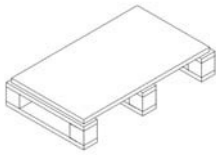


Fig. n°2

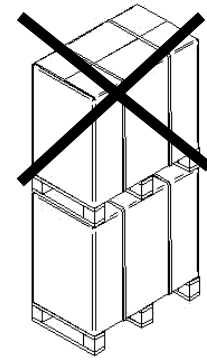


Fig. n°3

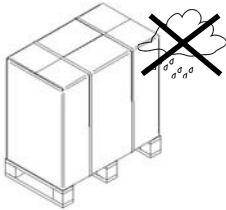


Fig. n°4

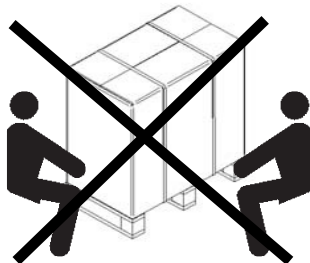


Fig. n°5

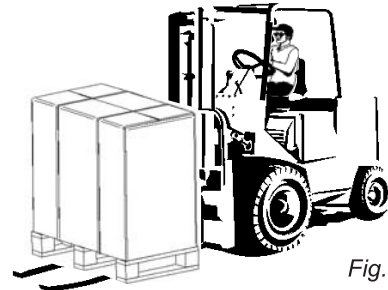


Fig. n°6

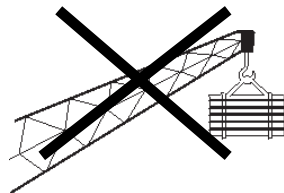


Fig. n°7

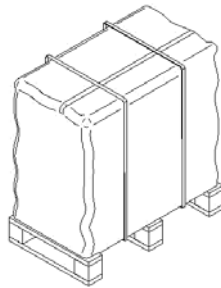


Fig. n°8



Fig. n°9

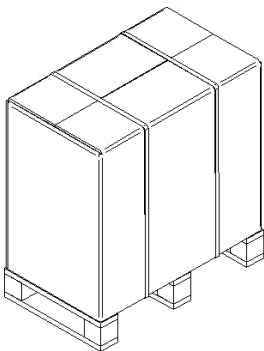


Fig. n°10

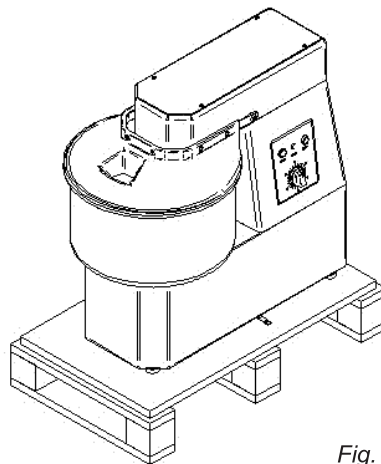


Fig. n°11

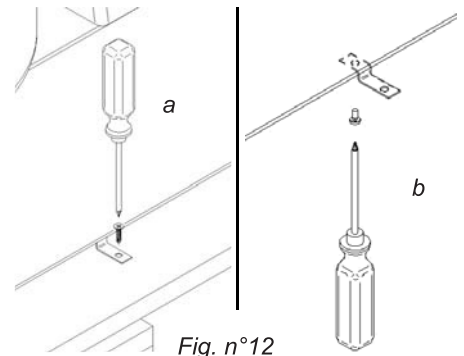


Fig. n°12

Figure Drawings

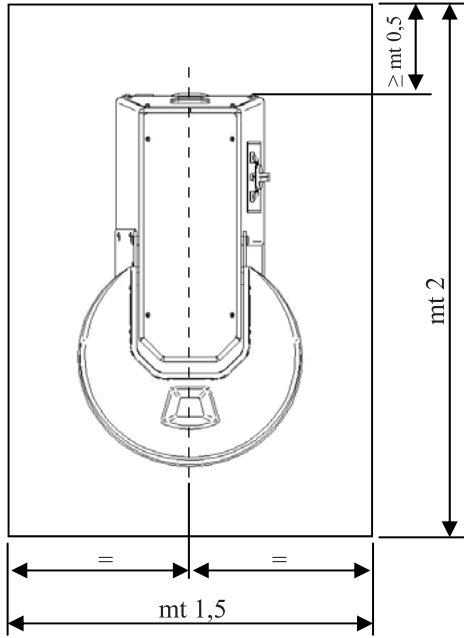


Fig. n°13

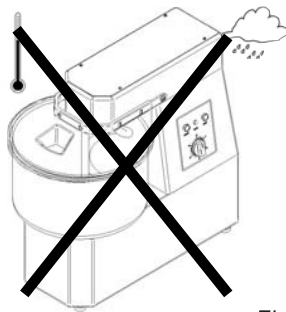


Fig. n°14

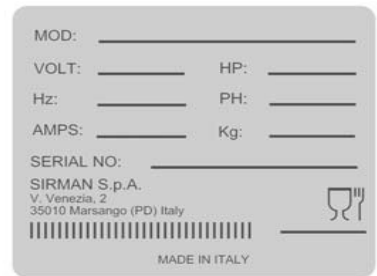


Fig. n°15

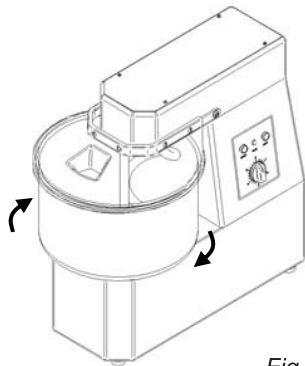


Fig. n°16

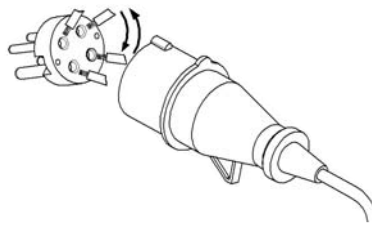
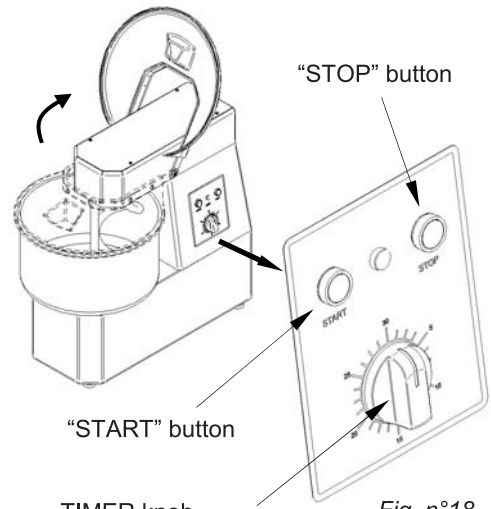


Fig. n°17



TIMER knob

Fig. n°18

Figure Drawings

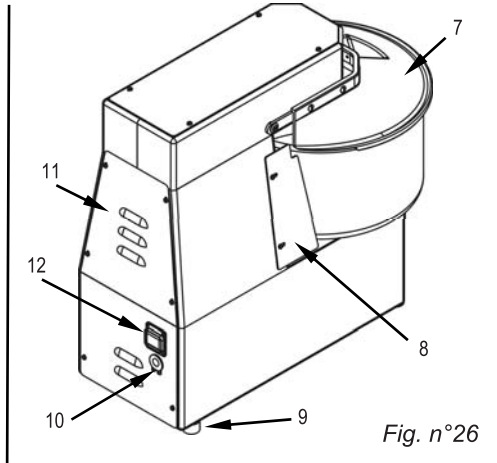
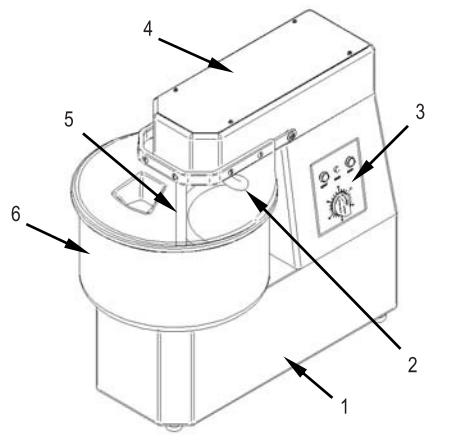
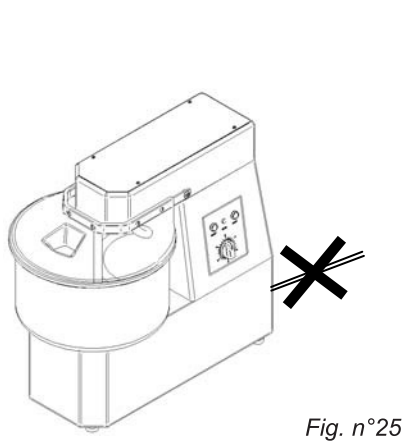
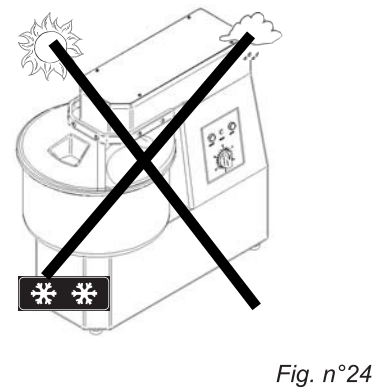
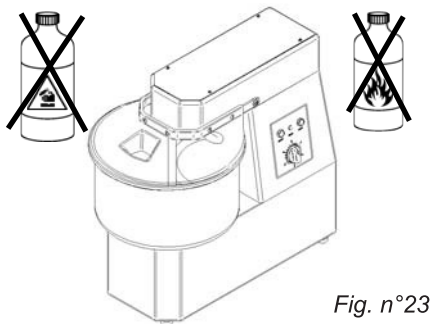
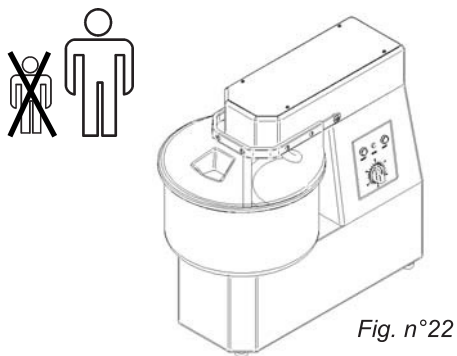
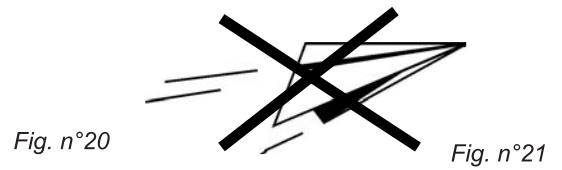
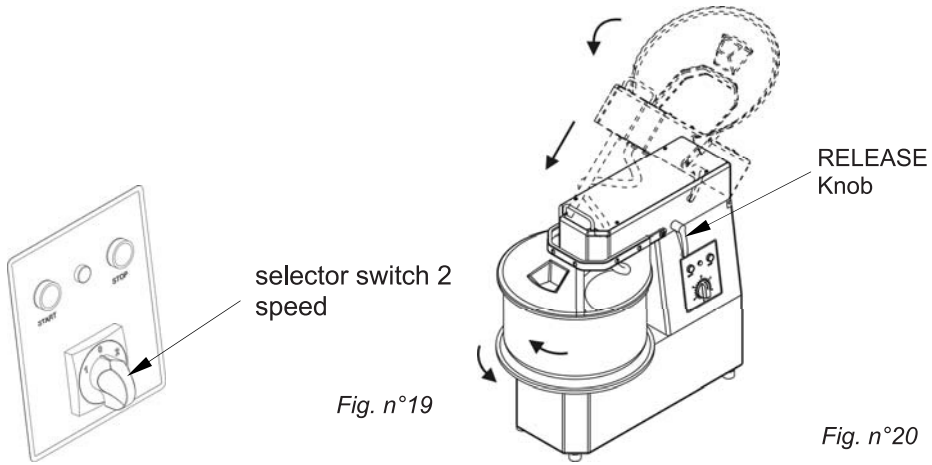


Figure Drawings

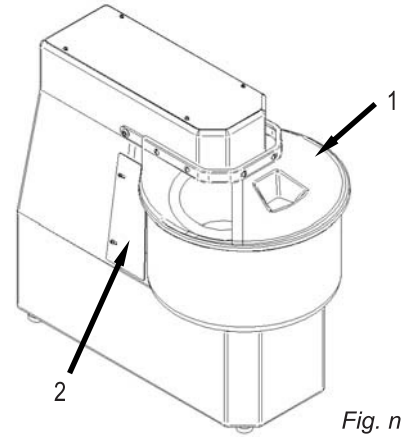
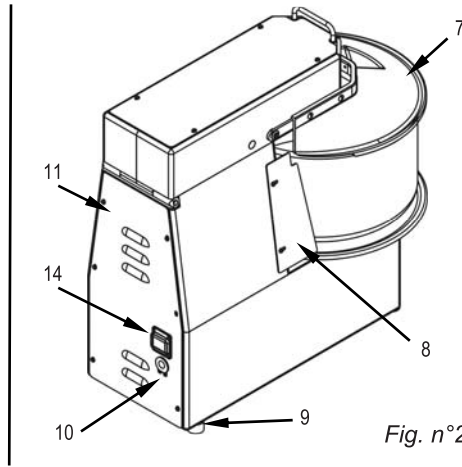
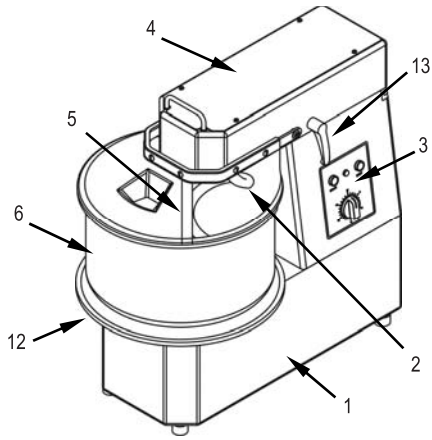


Fig. n°27

Fig. n°28

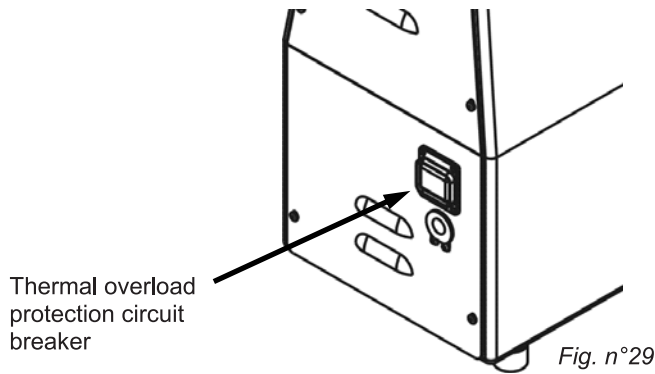


Fig. n°29

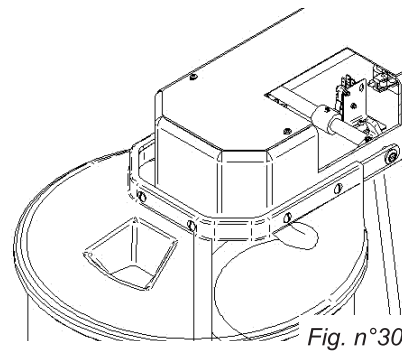


Fig. n°30

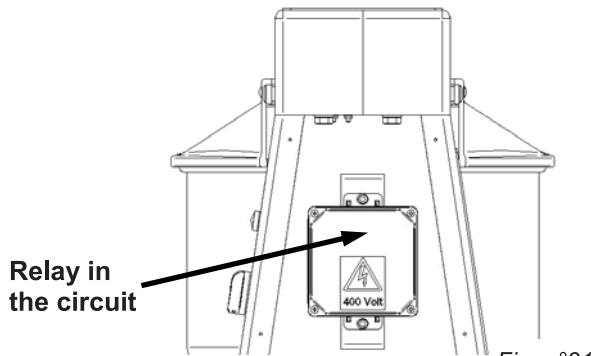


Fig. n°31

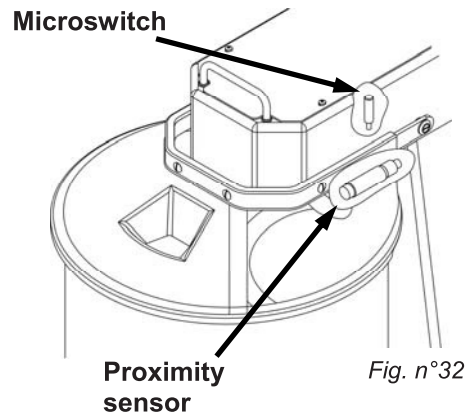


Fig. n°32

Figure Drawings

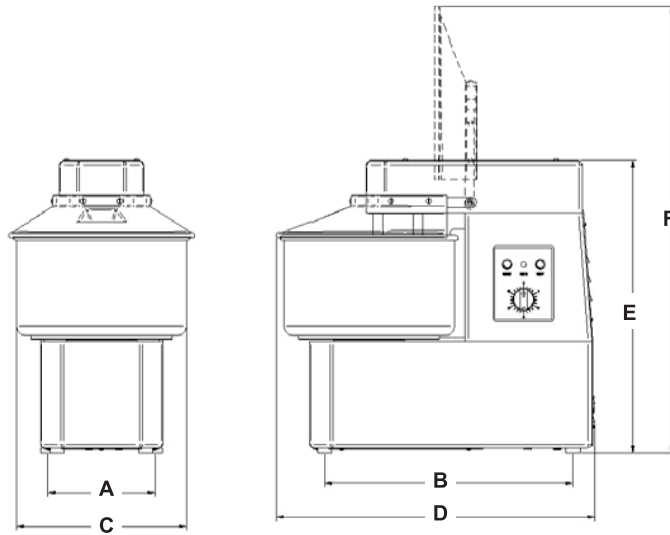


Fig. n°33

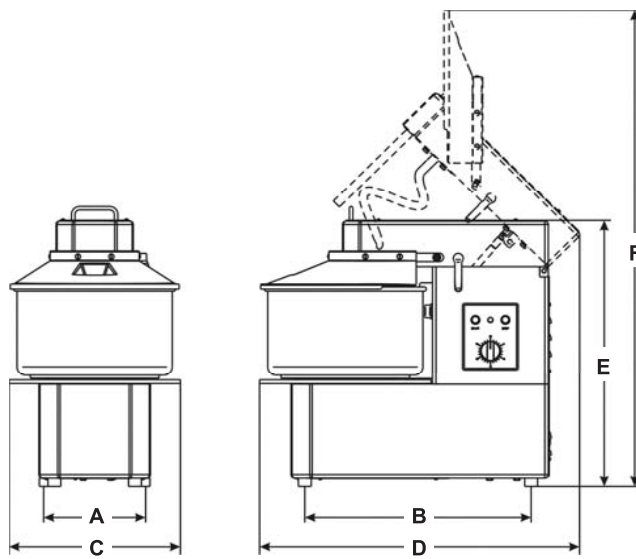


Fig. n°34



Fig. n° 35

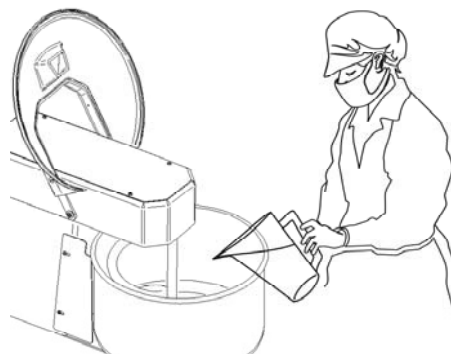


Fig. n°36

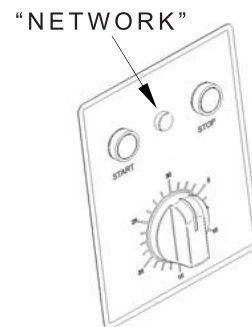


Fig. n°37

Figure Drawings



Fig. n°38

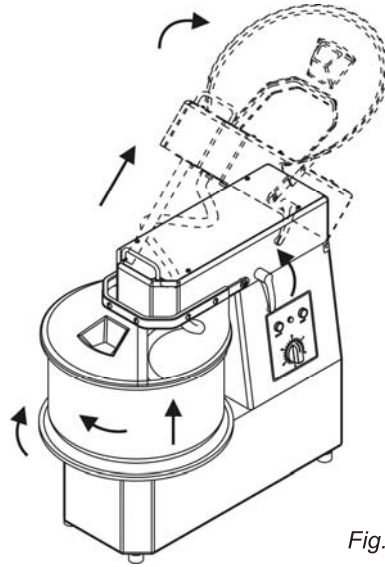


Fig. n°39

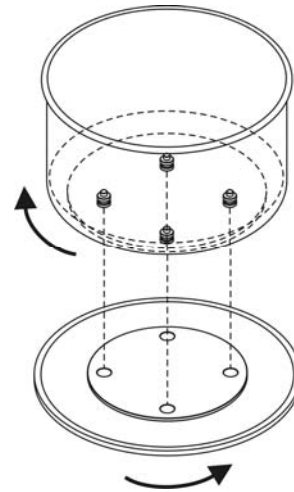


Fig. n°40

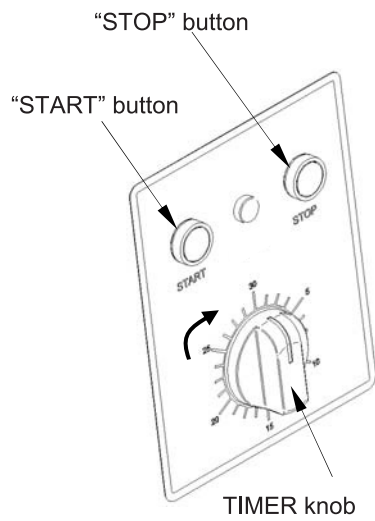


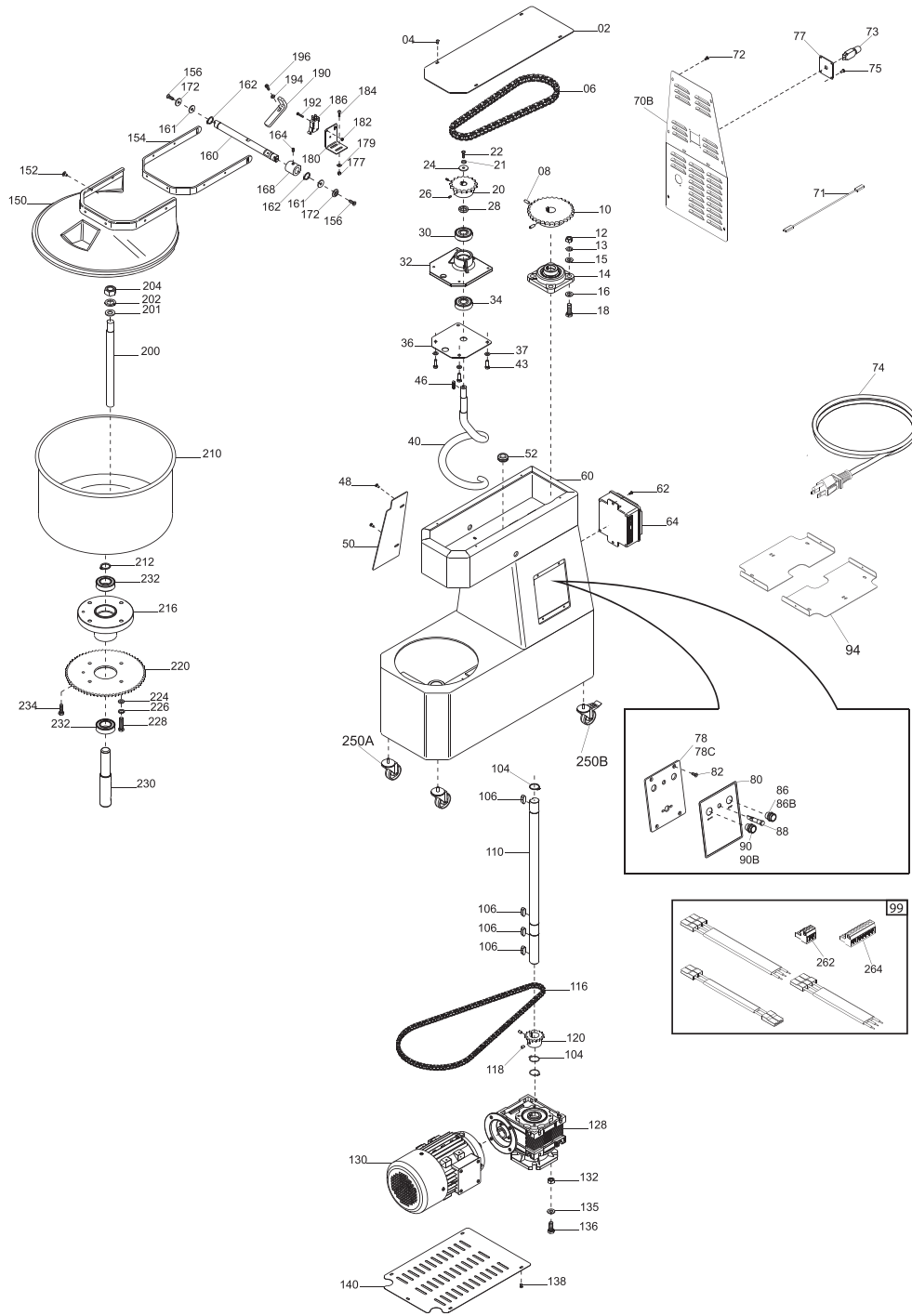
Fig. n°41



Fig. n°42

Parts Breakdown

Model MX-IT-0020-F 45417
Model MX-IT-0020-FT 47417



Parts Breakdown

Model MX-IT-0020-F 45417

Model MX-IT-0020-FT 47417

Item No.	Description	Position	Item No.	Description	Position	Item No.	Description	Position
AG983	Upper Casing ETL Vern. for 45417, 47417	02	62644	Flat Washer Din 125 D8 for 45417, 47417	37	AG971	Face Plate. Controls Panel for 45417, 47417	80
69217	Screw Poeliers M4x8 for 45417, 47417	04	AH004	Grower Washer UNI 1751 D8 for 45417, 47417	38	AH012	Screw TSPEI Din 7991 M5x8 for 45417, 47417	82
AG956	Chain Spir. 1/2x5/16" for 45417, 47417	06	AG972	Spiral Y17 for 45417, 47417	40	69217	Screw Poeliers M4x8 for 45417, 47417	83
AH031	Screw Din 916 M6x20 NE for 45417, 47417	08	AH022	Screw TE Din 933 M8x25 T.F. for 45417, 47417	43	AH014	Washer F.Larga Din 9021 D4x12 for 45417, 47417	84
AG959	Pinion Z30 1/2x5/16" for 45417, 47417	10	AH008	Feathers Din 6885 / A5x5x25 for 45417, 47417	46	AG949	Black Push Button N.O. for 45417, 47417	86
AH027	Nut ES. Din 934 M10 for 45417, 47417	12	69217	Screw Poeliers M4x8 for 45417, 47417	48	AG947	Stainless Steel Off Button Resin-Coated Y12 UL for 45417, 47417	86B
AG958	Flange Support for 45417, 47417	14	AG985	Tank Protection ETL Vern. for 45417, 47417	50	AG951	Unified Light UL 24 V for 45417, 47417	88
62645	Flat Washer Din 125 D10 for 45417, 47417	15	AG953	Vibration Damper for 45417, 47417	52	AG950	White Push Button N.O. for 45417, 47417	90
AH016	Washer F.Larga Din 9021 D10x30 for 45417, 47417	16	AG982	Welded Frame ETL Vern. for 45417, 47417	60	AG948	Stainless Steel On Button with Light Y12 Resin UL for 45417, 47417	90B
AH025	Screw TE Din 933 M10x35 T.F. for 45417, 47417	18	AH019	Screw TCEI Din 912 M6x10 for 45417, 47417	62	AG993	Internal Panel ETL for 45417, 47417	94
AG960	Pignon Z17 1/2x5/16" D16 for 45417, 47417	20	62660	Washer F Wide Din 9021 D6x18 for 45417, 47417	63	AH027	Nut ES. Din 934 M10 for 45417, 47417	97
AH003	Grower Washer UNI 1751 D.6 for 45417, 47417	21	AG995	Electrical Box UL 110/60 for 45417, 47417	64	AG968	Internal Wiring 110/60 ETL for 45417, 47417	99
AH021	Screw TE Din 933 M6x22 T.F. for 45417, 47417	22	AG984	Rear Carter ETL Y16 Vern. for 45417, 47417	70	AH007	Retaining Rings Din 471 D25E for 45417, 47417	104
AH002	Grower Washer UNI 1751 D 5 for 45417, 47417	23	AG952	Power Cable UL Thermal Protection for 45417, 47417	71	AH009	Feathers Din 6885 / A8x7x25 for 45417, 47417	106
AH015	Washer F.Larga Din 9021 D6x24 for 45417, 47417	24	69217	Screw Poeliers M4x8 for 45417, 47417	72	AG978	Drive Shaft for 45417, 47417	110
AH029	Screw Din 916 M4x10 NE for 45417, 47417	26	AG967	Thermal Protection T11 211 15A UL for 45417, 47417	73	AG957	Tank Chain 3/8x7/32" for 45417, 47417	116
AG974	Spiral Support Distance for 45417, 47417	28	AG966	Power Cable 110/60 ETL PA244S for 45417, 47417	74	AH030	Grub Screw Din 916 M6x8 NE for 45417, 47417	118
AG946	Ball Bearing 6303 2-RD HRC 20 for 45417, 47417	30	AH010	Screw Autof.TC+Din 7981 D3x8 for 45417, 47417	75	AG961	Pignone Z16 3/8x7/32" D25 Chi. for 45417, 47417	120
AG954	Spiral Cast Iron Supp Y12 HRC 20 LAV. for 45417, 47417	32	AG991	Supp. Plate Prot. Term. MN for 45417, 47417	77	AG964	Rid.NMRV 050 B14 1/30 FA80 F1 for 45417, 47417	128
AG976	Spacer for 45417, 47417	33	AG986	EC Control Plate Y10 for 45417, 47417	78	AG963	Motor MC 80 0.75Kw B14 4P UL 115/60 for 45417, 47417	130
AG946	Ball Bearing 6303 2-RD HRC 20 for 45417, 47417	34	AG987	CE Stainless Steel Control Plate for 45417, 47417	78C	AH027	Nut ES. Din 934 M10 for 45417, 47417	132
AG973	Spiral Support Plate Y12 for 45417, 47417	36	AH011	Screw TC+Din 7985 M4x8 for 45417, 47417	79	62645	Flat Washer Din 125 D10 for 45417, 47417	135

Parts Breakdown

Model MX-IT-0020-F 45417

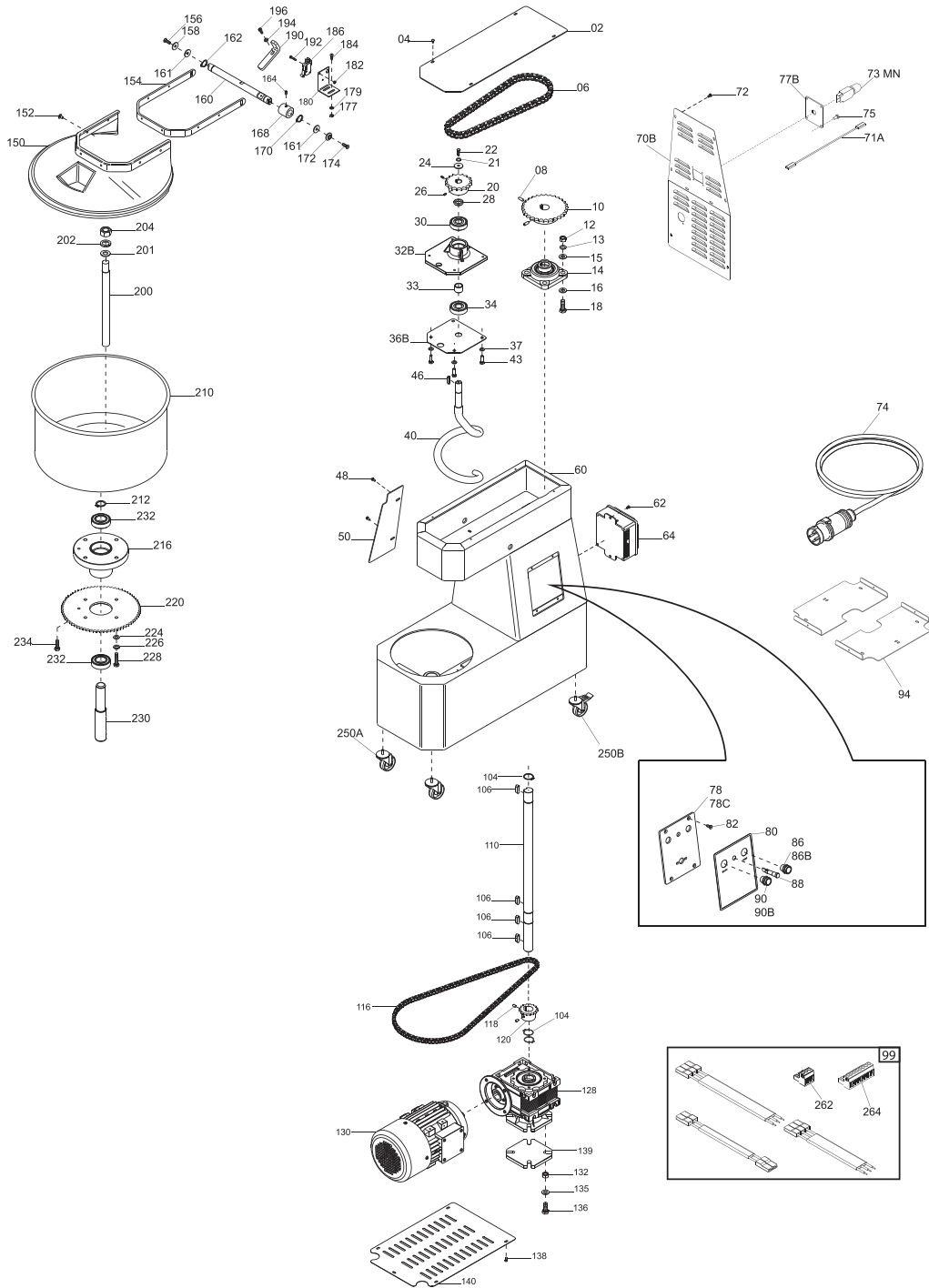
Model MX-IT-0020-FT 47417

Item No.	Description	Position	Item No.	Description	Position	Item No.	Description	Position
AH024	Screw TE Din 933 M10x30 T.F. for 45417, 47417	136	AG990	Hold Plate for Microswitch for 45417, 47417	180	AG975	Processing Tank 360x210 for 45417, 47417	210
69217	Screw Poeliers M4x8 for 45417, 47417	138	69215	Nut Din 934 M3 for 45417, 47417	182	AH007	Retaining Ring Din 471 D 25E for 45417, 47417	212
AG988	Lower Cover for 45417, 47417	140	69209	Washer Din 125 D3 for 45417, 47417	183	AG955	Bowl Holder for 45417, 47417	216
AG994	ETL Thermoformed Protection for 45417, 47417	150	AH017	Screw TCEI Din 912 M4x12 for 45417, 47417	184	AG962	Crown Z70 3/8x7/32" Lav.Chi. for 45417, 47417	220
69218	Screw Poeliers M5x8 for 45417, 47417	152	AG965	Micro Switch with Lever ETL for 45417, 47417	186	AH004	Grower Washer Uni 1751 D8 for 45417, 47417	226
AG992	Cover Profile Prot. for 45417, 47417	154	AG989	Corner Plate for 45417, 47417	190	AH023	Screw TE Din 933 M8x35 T.F. for 45417, 47417	228
AH013	Flathead CSK Screw Din 7991 M5x14 for 45417, 47417	156	AH020	Screw TE Din 933 M3x16 T.F. for 45417, 47417	192	AG981	Shaft. Bowl Support for 45417, 47417	230
AG980	Shaft. Tank Protection for 45417, 47417	160	AH000	Washer Flat Din 125 D.4 for 45417, 47417	194	AH032	Screw without Head Din 916 M8x16 NE for 45417, 47417	231
AG996	Plastic Washer 16x25x1 for 45417, 47417	161	AH001	Washer Din 125 D5 for 45417, 47417	194	AG945	Bearing 6205 2RS ORS for 45417, 47417	232
AH006	Stop Rings Din 471 D15E for 45417, 47417	162	AH017	Screw TCEI Din 912 M4x12 for 45417, 47417	196	AH022	Screw TE Din 933 M8x25 T.F. for 45417, 47417	234
AH030	Grub Screw Din 916 M6x8 NE for 45417, 47417	164	AH018	Screw TCEI Din 912 M5x12 for 45417, 47417	196	AG998	Wheel ETL CMT1-3PPB for 45417, 47417	250A
AG997	Cam TA for 45417, 47417	168	AG979	Rod Breaker for 45417, 47417	200	AG999	ETL Wheel C/Brake CMT1-3PPB for 45417, 47417	250B
AG977	Washer for 45417, 47417	172	AH005	Grower Washer UNI 1751 D18 for 45417, 47417	201	AG969	3-Pole HRC Connector for 45417, 47417	262
AH026	Hex.Nut Din 934 M4 for 45417, 47417	177	AH033	Flat Washer Din 125 D 18 Zinc for 45417, 47417	202	AG970	8 Poles HRC Connector for 45417, 47417	264
AH000	Washer Flat Din 125 D.4 for 45417, 47417	179	AH028	Nut ES. Din 934 M18 for 45417, 47417	204			

Parts Breakdown

Model MX-IT-0030-F 45418

Model MX-IT-0030-FT 47418



Parts Breakdown

Model MX-IT-0030-F 45418

Model MX-IT-0030-FT 47418

Item No.	Description	Position	Item No.	Description	Position	Item No.	Description	Position
AH057	Upper Casing ETL Vern. for 45418, 47418	02	62644	Flat Washer Din 125 D8 for 45418, 47418	37	AH014	Washer F.Larga Din 9021 D4x12 for 45418, 47418	84
69217	Screw Poeliers M4x8 for 45418, 47418	04	AH048	Spiral Y17 for 45418, 47418	40	AG949	Black Push Button N.O. for 45418, 47418	86
AH038	Chain 1/2x5/6" for 45418, 47418	06	AH022	Screw TE Din 933 M8x25 T.F. for 45418, 47418	43	AG947	Stainless Steel Off Button Resin-Coated Y12 UL for 45418, 47418	86B
AH031	Screw Din 916 M6x20 NE for 45418, 47418	08	AH067	Feathers Din 6885 / A6x6x25 for 45418, 47418	46	AH035	Pilot Light 24V for 45418, 47418	88
AG959	Pinion Z30 1/2x5/16" for 45418, 47418	10	69217	Screw Poeliers M4x8 for 45418, 47418	48	AG950	White Push Button N.O. for 45418, 47418	90
AH027	Nut ES. Din 934 M10 for 45418, 47418	12	AH059	Tank Protection ETL Vern. for 45418, 47418	50	AG948	Stainless Steel On Button with Light Y12 Resin UL for 45418, 47418	90B
AG958	Flange Support for 45418, 47418	14	AH056	Welded Frame ETL Vern. for 45418, 47418	60	AH064	Internal Panel ETL for 45418, 47418	94
62645	Flat Washer Din 125 D10 for 45418, 47418	15	AH019	Screw TCEI Din 912 M6x10 for 45418, 47418	62	AH027	Nut ES. Din 934 M10 for 45418, 47418	97
AH016	Washer F.Larga Din 9021 D10x30 for 45418, 47418	16	62660	Washer F Wide Din 9021 D6x18 for 45418, 47418	63	AH047	Internal Wiring 220/60 ETL for 45418, 47418	99
AH025	Screw TE Din 933 M10x35 T.F. for 45418, 47418	18	AH066	Electric Box TGM2SIR MN for 45418, 47418	64	AH007	Retaining Rings Din 471 D25E for 45418, 47418	104
AH040	Pinion Z17 1/2x5/16 Inch D20 for 45418, 47418	20	AH036	Terminal Block for 45418, 47418	68	AH009	Feathers Din 6885 / A8x7x25 for 45418, 47418	106
AH004	Grower Washer Uni 1751 D8 for 45418, 47418	21	AH058	Rear Carter Y16 ETL Vern. for 45418, 47418	70	AH053	Transmission Shaft for 45418, 47418	110
62663	X.Screw Din 933 M8x20 for 45418, 47418	22	AG952	Power Cable UL Thermal Protection for 45418, 47418	71	AH039	Chain 3/8x7/32" for 45418, 47418	116
AH004	Grower Washer UNI 1751 D8 for 45418, 47418	23	69217	Screw Poeliers M4x8 for 45418, 47418	72	AH030	Grub Screw Din 916 M6x8 NE for 45418, 47418	118
AH070	Washer F Wide Din 9021 D8x32 ZN for 45418, 47418	24	AH046	Thermal Protection T11-211 11A MN for 45418, 47418	73	AH041	Pinion Z20 3/8x7/32" D25 for 45418, 47418	120
AH069	Screw without Head Din 916 M5x16 NE for 45418, 47418	26	AH045	Power Cable CMP Suko PA244S 3x1.5 for 45418, 47418	74	AH044	Reducer NMRV 063 B14 1/30 FA 90 for 45418, 47418	128
AH050	Spacer for 45418, 47418	28	AH010	Screw Autof.TC+Din 7981 D3x8 for 45418, 47418	75	AH043	Mot. MC 90 1.10Kw B14 4P UL 220-60 for 45418, 47418	130
AH034	Ball Bearing 6204 2RS NTN for 45418, 47418	30	AG991	Supp. Plate Prot. Term. MN for 45418, 47418	77	AH027	Nut ES. Din 934 M10 for 45418, 47418	132
AH037	Spiral Cast Iron Supp Y12 HRC 30 Lav. for 45418, 47418	32B	AH060	Plate. Controls Panel for 45418, 47418	78	62645	Flat Washer Din 125 D10 for 45418, 47418	135
AH052	Dist.Int.Cusc.Supp.Spiral for 45418, 47418	33	AH011	Screw TC+Din 7985 M4x8 for 45418, 47418	79	AH024	Screw TE Din 933 M10x30 T.F. for 45418, 47418	136
AH034	Ball Bearing 6204 2RS NTN for 45418, 47418	34	AG971	Face Plate. Controls Panel for 45418, 47418	80A	AH068	Screw TE Din 933 M10x40 T.F. for 45418, 47418	137
AH049	Spiral Support Plate Y12 for 45418, 47418	36B	AH012	Screw TSPEI DIN 7991 M5x8 for 45418, 47418	82	69217	Screw Poeliers M4x8 for 45418, 47418	138

Parts Breakdown

Model MX-IT-0030-F 45418

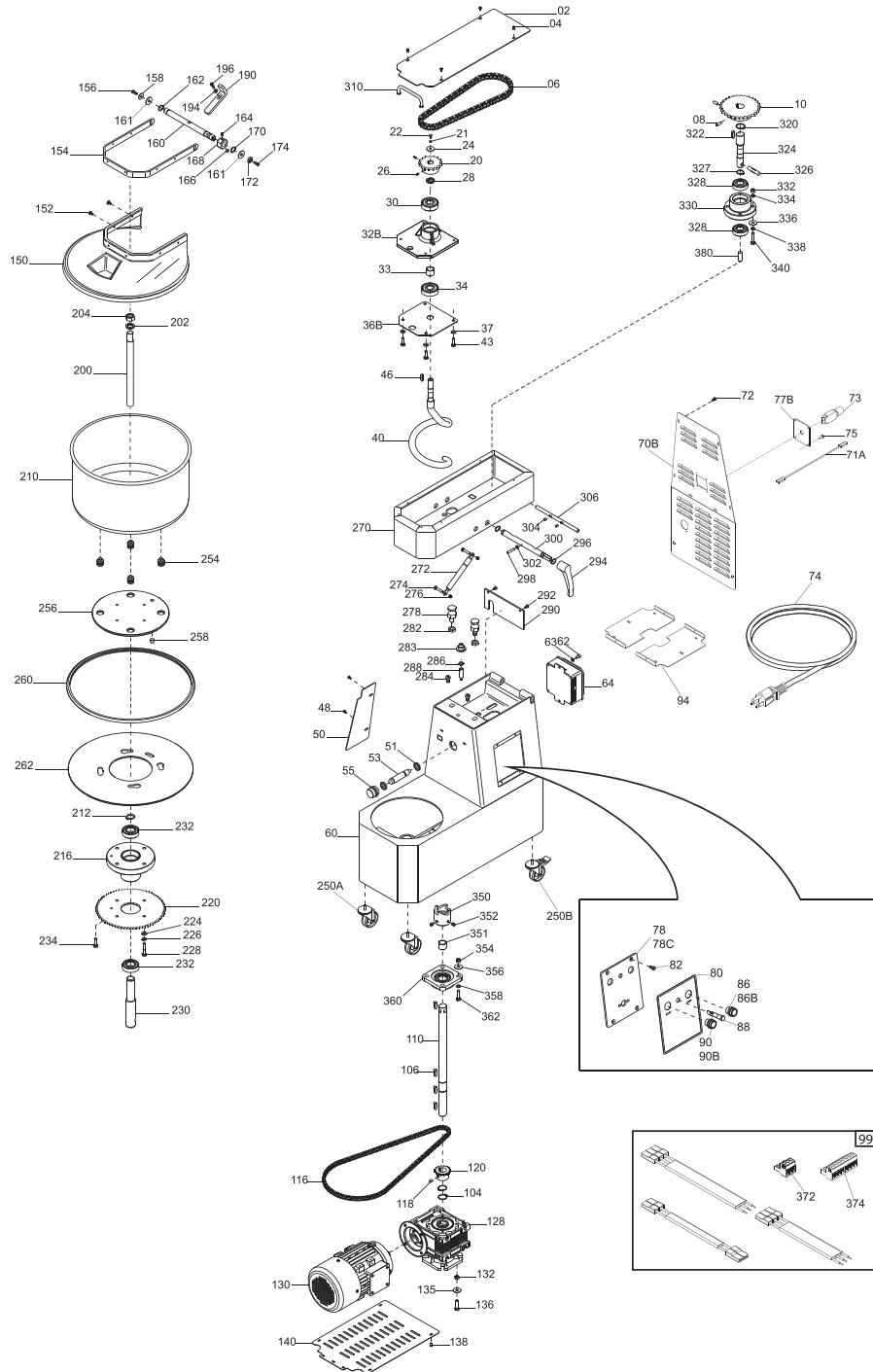
Model MX-IT-0030-FT 47418

Item No.	Description	Position	Item No.	Description	Position	Item No.	Description	Position
AH062	Gear Motor Plate 30 for 45418, 47418	139	AG990	Hold Plate for Microswitch for 45418, 47418	180	AH007	Retaining Rings Din 471 D 25E for 45418, 47418	212
AH061	Underdeck Protection for 45418, 47418	140	69215	Nut Din 934 M3 for 45418, 47418	182	AG955	Bowl Holder for 45418, 47418	216
AH065	ETL Thermoformed Protection for 45418, 47418	150	69209	Washer Din 125 D3 for 45418, 47418	183	AH042	Crown Z85 3/8x7/32" C.Lav. for 45418, 47418	220
69218	Screw Poeliers M5x8 for 45418, 47418	152	AG965	Micro Switch with Lever ETL for 45418, 47418	186	AH004	Grower Washer Uni 1751 D8 for 45418, 47418	226
AH063	Lid Frame for 45418, 47418	154	AG989	Corner Plate for 45418, 47418	190	AH023	Screw TE Din 933 M8x35 T.F. for 45418, 47418	228
AH013	Flathead CSK Screw Din 7991 M5x14 for 45418, 47418	156	AH020	Screw TE Din 933 M3x16 T.F. for 45418, 47418	192	AG981	Shaft. Bowl Support for 45418, 47418	230
AH055	Lid Shaft for 45418, 47418	160	AH001	Washer Din 125 D5 for 45418, 47418	194	AH032	Screw without Head Din 916 M8x16 NE for 45418, 47418	231
AG996	Plastic Washer 16x25x1 for 45418, 47418	161	AH018	Screw TCEI Din 912 M5x12 for 45418, 47418	196	AG945	Bearing 6205 2RS ORS for 45418, 47418	232
AH006	Stop Rings Din 471 D15E for 45418, 47418	162	AH054	Shaft for 45418, 47418	200	AH022	Screw TE Din 933 M8x25 T.F. for 45418, 47418	234
AH030	Grub Screw Din 916 M6x8 NE for 45418, 47418	164	AH005	Grower Washer UNI 1751 D18 for 45418, 47418	201	AG998	Wheel ETL CMT1-3PBB for 45418, 47418	250A
AG997	Cam TA for 45418, 47418	168	AH033	Flat Washer Din 125 D18 Zinc for 45418, 47418	202	AG999	ETL Wheel C/Brake CMT1-3PPB for 45418, 47418	250B
AG977	Washer for 45418, 47418	172	AH028	Nut ES. Din 934 M18 for 45418, 47418	204	AG969	3-Pole HRC Connector for 45418, 47418	262
AH026	Hex.Nut Din 934 M4 for 45418, 47418	177	AH051	Bowl 400x260 for 45418, 47418	210	AG970	8 Poles HRC Connector for 45418, 47418	264

Parts Breakdown

Model MX-IT-0020-R 47087

Model MX-IT-0020-RT 47287



Parts Breakdown

Model MX-IT-0020-R 47087

Model MX-IT-0020-RT 47287

Item No.	Description	Position	Item No.	Description	Position	Item No.	Description	Position
AH080	Upper Casing ETL TA 20 VRN for 47087, 47287	02	AG972	Spiral Y17 for 47087, 47287	40	AG971	Face Plate. Controls Panel for 47087, 47287	80
69217	Screw Poeliers M4x8 for 47087, 47287	04	AH022	Screw TE Din 933 M8x25 T.F. for 47087, 47287	43	AH012	Screw TSPEI Din 7991 M5x8 for 47087, 47287	82
AG956	Chain Spir. 1/2x5/16" for 47087, 47287	06	AH008	Feathers Din 6885 / A5x5x25 for 47087, 47287	46	AH014	Washer F.Larga Din 9021 D4x12 for 47087, 47287	84
AH031	Screw Din 916 M6x20 NE for 47087, 47287	08	69217	Screw Poeliers M4x8 for 47087, 47287	48	AG949	Black Push Button N.O. for 47087, 47287	86
AG959	Pinion Z30 1/2x5/16" for 47087, 47287	10	AH073	Internal Wiring 110/60 UL TA for 47087, 47287	49	AG947	Stainless Steel Off Button Resin-Coated Y12 UL for 47087, 47287	86B
AH027	Nut ES. Din 934 M10 for 47087, 47287	12	AG985	Tank Protection ETL Vern. for 47087, 47287	50	AG951	Unified Light UL 24 V for 47087, 47287	88
62645	Flat Washer Din 125 D10 for 47087, 47287	15	AH076	Proximity Sensor TA for 47087, 47287	53+51	AG950	White Push Button N.O. for 47087, 47287	90
AH016	Washer F.Larga Din 9021 D10x30 for 47087, 47287	16	AH096	Proximity Support for 47087, 47287	55	AG948	Stainless Steel On Button with Light Y12 Resin UL for 47087, 47287	90B
AH025	Screw TE Din 933 M10x35 T.F. for 47087, 47287	18	AH079	Welded Frame ETL TA 20 Vern. for 47087, 47287	60	AH084	Internal Panel ETL 20 TA for 47087, 47287	94
AG960	Pignon Z17 1/2x5/16" D16 for 47087, 47287	20	62660	Washer F Wide Din 9021 D6x18 for 47087, 47287	61	62652	Nut ES. Din 439 M10 Low for 47087, 47287	96
AH003	Grower Washer UNI 1751 D.6 for 47087, 47287	21	AH019	Screw TCEI Din 912 M6x10 for 47087, 47287	62	AH027	Nut ES. Din 934 M10 for 47087, 47287	97
AH021	Screw TE Din 933 M6x22 T.F. for 47087, 47287	22	AG995	Electrical Box UL 110/60 for 47087, 47287	64	62645	Flat Washer Din 125 D10 for 47087, 47287	98
AH002	Grower Washer Uni 1751 D5 for 47087, 47287	23	AH081	Rear Carter Y16 ETL TA 20 VRN for 47087, 47287	70B	AH073	Internal Wiring 110/60 UL TA for 47087, 47287	99
AH015	Washer F.Larga Din 9021 D6x24 for 47087, 47287	24	AG952	Power Cable UL Thermal Protection for 47087, 47287	71A	AH007	Retaining Rings Din 471 D25E for 47087, 47287	104
AH029	Screw Din 916 M4x10 NE for 47087, 47287	26	69217	Screw Poeliers M4x8 for 47087, 47287	72	AH009	Feathers Din 6885 / A8x7x25 for 47087, 47287	106
AG974	Spiral Support Distance for 47087, 47287	28	AG967	Thermal Protection T11 211 15A UL for 47087, 47287	73	AH078	Transmission Shaft TS 20 for 47087, 47287	110
AG946	Ball Bearing 6303 2-RD HRC 20 for 47087, 47287	30	AG966	Power Cable 110/60 ETL PA244S for 47087, 47287	74	AG957	Tank Chain 3/8x7/32" for 47087, 47287	116
AG954	Spiral Cast Iron Supp Y12 HRC 20 Lav. for 47087, 47287	32B	AH010	Screw Autof.TC+Din 7981 D3x8 for 47087, 47287	75	AH030	Grub Screw Din 916 M6x8 NE for 47087, 47287	118
AG976	Spacer for 47087, 47287	33	AG991	Supp. Plate Prot. Term. MN for 47087, 47287	77B	AG961	Pignone Z16 3/8x7/32" D25 CHI. for 47087, 47287	120
AG946	Ball Bearing 6303 2-RD HRC 20 for 47087, 47287	34	AH060	Plate. Controls Panel for 47087, 47287	78	AG964	Rid.NMRV 050 B14 1/30 FA80 F1 for 47087, 47287	128
AG973	Spiral Support Plate Y12 for 47087, 47287	36B	AG987	CE Stainless Steel Control Plate for 47087, 47287	78C	AG963	Motor MC 80 0.75KW B14 4P UL 115/60 for 47087, 47287	130
62644	Flat Washer Din 125 D8 for 47087, 47287	37	AH011	Screw TC+Din 7985 M4x8 for 47087, 47287	79	AH027	Nut ES. Din 934 M10 for 47087, 47287	132

Parts Breakdown

Model MX-IT-0020-R 47087

Model MX-IT-0020-RT 47287

Item No.	Description	Position	Item No.	Description	Position	Item No.	Description	Position
62645	Flat Washer Din 125 D10 for 47087, 47287	135	AG979	Rod Breaker for 47087, 47287	200	AH017	Screw TCEI Din 912 M4x12 for 47087, 47287	271
AH024	Screw TE Din 933 M10x30 T.F. for 47087, 47287	136	AH005	Grower Washer UNI 1751 D18 for 47087, 47287	201	AH072	Gas Spring 094323 TA 20 for 47087, 47287	272
69217	Screw Poeliers M4x8 for 47087, 47287	138	AH033	Flat Washer Din 125 D18 Zinc for 47087, 47287	202	AH014	Washer F.Larga Din 9021 D4x12 for 47087, 47287	273
AG988	Lower Cover for 47087, 47287	140	AH028	Nut ES. Din 934 M18 for 47087, 47287	204	AH105	Screw TE Din 933 M6x30 T.F. for 47087, 47287	274
AG994	ETL Thermoformed Protection for 47087, 47287	150	AG975	Processing Tank 360x210 for 47087, 47287	210	62643	Flat Washer Din 125 D6 for 47087, 47287	275
69218	Screw Poeliers M5x8 for 47087, 47287	152	AH007	Retaining Rings Din 471 D25E for 47087, 47287	212	AH106	Hex.Nut Din 934 M6 for 47087, 47287	276
AG992	Cover Profile Prot. for 47087, 47287	154	AG955	Bowl Holder for 47087, 47287	216	AH093	Hexagonal Screw for 47087, 47287	278
AH013	Flathead CSK Screw Din 7991 M5x14 for 47087, 47287	156	AG962	Crown Z70 3/8x7/32" LAV.CHI. for 47087, 47287	220	AH099	Washer Din 125 D12 for 47087, 47287	280
AG980	Shaft. Tank Protection for 47087, 47287	160	AH004	Grower Washer UNI 1751 D8 for 47087, 47287	226	AH109	Self-Lock Nut ES Din 982 M12 Low for 47087, 47287	282
AG996	Plastic Washer 16x25x1 for 47087, 47287	161	AH023	Screw TE Din 933 M8x35 T.F. for 47087, 47287	228	AH097	Supp. Cover Sensor M10 TA for 47087, 47287	283
AH006	Stop Rings Din 471 D15E for 47087, 47287	162	AG981	Shaft. Bowl Support for 47087, 47287	230	AH094	Pin TA for 47087, 47287	284
AH030	Grub Screw Din 916 M6x8 NE for 47087, 47287	164	AH032	Screw without Head Din 916 M8x16 NE for 47087, 47287	231	AH077	Magnetic Sensor Head UL TA for 47087, 47287	288
18960	Magnet for SO Anodized for 47087, 47287	166	AG945	Bearing 6205 2RS ORS for 47087, 47287	232	AH083	Protection Micro ETL TA 20 VRN for 47087, 47287	290
AG997	Cam TA for 47087, 47287	168	AH022	Screw TE Din 933 M8x25 T.F. for 47087, 47287	234	AH012	Screw TSPEI Din 7991 M5x8 for 47087, 47287	292
AG977	Washer for 47087, 47287	172	AG998	Wheel ETL CMT1-3PBB for 47087, 47287	250A	AH095	Release Lever. TA for 47087, 47287	294
AH026	Hex.Nut Din 934 M4 for 47087, 47287	177	AG999	ETL Wheel C/Brake CMT1-3PPB for 47087, 47287	250B	AH101	Retaining Rings Din 471 D16E for 47087, 47287	296
AH000	Washer Flat Din 125 D.4 for 47087, 47287	179	AH087	Bowl Insert. TA for 47087, 47287	254	AH104	Grub Screw Din 913 M4x35 CE for 47087, 47287	298
69215	Nut Din 934 M3 for 47087, 47287	182	AH085	Fixed Disc TA for 47087, 47287	256	AH090	Release Shaft TA 20 for 47087, 47287	300
AH017	Screw TCEI Din 912 M4x12 for 47087, 47287	184	AH086	Pin for 47087, 47287	258	AH026	Hex.Nut Din 934 M4 for 47087, 47287	302
AG989	Corner Plate for 47087, 47287	190	AH098	Rubber Mobile Disc TA 20 for 47087, 47287	260	AH030	Grub Screw Din 916 M6x8 NE for 47087, 47287	304
AH000	Washer Flat Din 125 D.4 for 47087, 47287	194	AH088	Disco Mobile TA 20 for 47087, 47287	262	AH091	Head Hinge Shaft TA 20 for 47087, 47287	306
AH017	Screw TCEI Din 912 M4x12 for 47087, 47287	196	AH082	Welded Head ETL TA 20 Vern. for 47087, 47287	270	AH075	Handle TA for 47087, 47287	310

Parts Breakdown

Model MX-IT-0020-R 47087

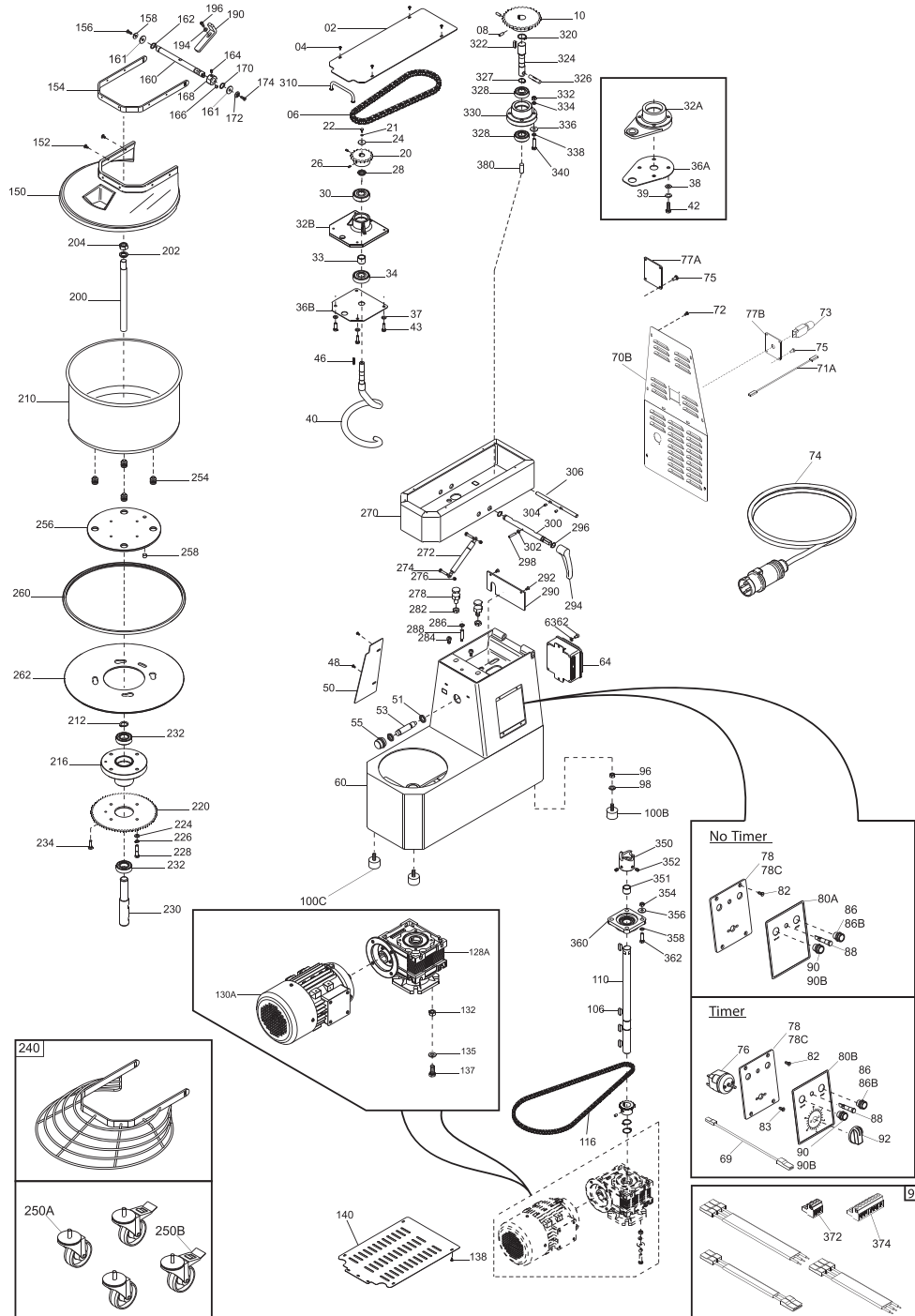
Model MX-IT-0020-RT 47287

Item No.	Description	Position	Item No.	Description	Position	Item No.	Description	Position
AH007	Retaining Rings Din 471 D25E for 47087, 47287	320	62645	Flat Washer Din 125 D10 for 47087, 47287	338	AH004	Grower Washer UNI 1751 D8 for 47087, 47287	357
AC008	Screw Din 916 M8x10 NE for 47087, 47287	321	AH108	Screw TBSQ Din 603 M8x35 Zinc for 47087, 47287	340	AH100	Grower Washer Uni 1751 D10 for 47087, 47287	357
AH009	Feathers Din 6885 / A8x7x25 for 47087, 47287	322	AH092	Transmission Joint TA for 47087, 47287	350	62645	Flat Washer Din 125 D10 for 47087, 47287	358
AH089	Transmission Shaft for 47087, 47287	324	AH074	Distance Transm. Joint 20-30 TA for 47087, 47287	351	AG958	Flange Support for 47087, 47287	360
AH103	Pin Inox Din 7 D10x50 for 47087, 47287	326	AC008	Screw Din 916 M8x10 NE for 47087, 47287	352	AH025	Screw TE Din 933 M10x35 T.F. for 47087, 47287	362
AH102	C-Clip.Retaining Din 471 D.20 Ext for 47087, 47287	327	AH030	Grub Screw Din 916 M6x8 NE for 47087, 47287	353	AH108	Screw TBSQ Din 603 M8x35 Zinc for 47087, 47287	362
AH034	Ball Bearing 6204 2RS NTN for 47087, 47287	328	AH027	Nut ES. Din 934 M10 for 47087, 47287	354	AG969	3-Pole HRC Connector for 47087, 47287	372
AH071	Head Holder for 47087, 47287	330	AH009	Feathers Din 6885 / A8x7x25 for 47087, 47287	355	AG970	8 Poles HRC Connector for 47087, 47287	374
62644	Flat Washer Din 125 D8 for 47087, 47287	334	62644	Flat Washer Din 125 D8 for 47087, 47287	356	AH107	Screw without Head Din 916 M8x12 NE for 47087, 47287	380
AH004	Grower Washer UNI 1751 D8 for 47087, 47287	336	62645	Flat Washer Din 125 D10 for 47087, 47287	356			

Parts Breakdown

Model MX-IT-0030-R 47088

Model MX-IT-0030-RT 47288



Parts Breakdown

Model MX-IT-0030-R 47088

Model MX-IT-0030-RT 47288

Item No.	Description	Position	Item No.	Description	Position	Item No.	Description	Position
AH116	Upper Casing ETL TA 30 VRN for 47088, 47288	02	AH067	Feathers Din 6885 / A6x6x25 for 47088, 47288	46	AG948	Stainless Steel On Button with Light Y12 Resin UL for 47088, 47288	90B
69217	Screw Poeliers M4x8 for 47088, 47288	04, 48, 72, 83, 138	AH059	Tank Protection ETL Vern. for 47088, 47288	50	AH120	Internal Panel ETL 30 TA for 47088, 47288	94
AH038	Chain 1/2x5/6" for 47088, 47288	06	AH076	Proximity Sensor TA for 47088, 47288	53, 51	AH113	Internal Wiring 220/60 UL TA for 47088, 47288	99
AH031	Screw Din 916 M6x20 NE for 47088, 47288	08	AH096	Proximity Support for 47088, 47288	55	AH007	Retaining Rings Din 471 D25E for 47088, 47288	104, 212, 320
AG959	Pinion Z30 1/2x5/16" for 47088, 47288	10	AH115	Welded Frame ETL TA 30 Vern. for 47088, 47288	60	AH009	Feathers Din 6885 / A8x7x25 for 47088, 47288	106, 322, 355
AH027	Nut ES. Din 934 M10 for 47088, 47288	12, 97, 132, 354	62660	Washer F Wide Din 9021 D6x18 for 47088, 47288	61	AH114	Transmission Shaft T1 30-40 for 47088, 47288	110
62645	Flat Washer Din 125 D10 for 47088, 47288	15, 135, 338, 358	AH019	Screw TCEI Din 912 M6x10 for 47088, 47288	62	AH039	Chain 3/8x7/32" for 47088, 47288	116
AH016	Washer F.Larga Din 9021 D10x30 for 47088, 47288	16	AH066	Electric Box TGM2SIR MN for 47088, 47288	64	AH030	Grub Screw Din 916 M6x8 NE for 47088, 47288	118, 164, 304, 353
AH025	Screw TE Din 933 M10x35 T.F. for 47088, 47288	18, 362	AH117	Rear Carter Y16 ETL TA 30 VRN for 47088, 47288	70B	AH041	Pinion Z20 3/8x7/32" D25 for 47088, 47288	120
AH040	Pinion Z17 1/2x5/16" D20 for 47088, 47288	20	AG952	Power Cable UL Thermal Protection for 47088, 47288	71A	AH044	Reducer NMRV 063 B14 1/30 FA 90 for 47088, 47288	128A, 130A
AH004	Grower Washer Uni 1751 D8 for 47088, 47288	21, 23, 226, 336	AH046	Thermal Protection T11-211 11A MN for 47088, 47288	73	62664	Screw TE Din 933 M10x20 T.F. for 47088, 47288	137
62663	X.Screw Din 933 M8x20 for 47088, 47288	22	AH112	Power Cable Comp. 220/60 UL for 47088, 47288	74	AH061	Underdeck Protection for 47088, 47288	140
AH070	Washer F Wide Din 9021 D8x32 ZN for 47088, 47288	24	AG991	Supp. Plate Prot. Term. MN for 47088, 47288	77B	AH065	ETL Thermoformed Protection for 47088, 47288	150
AH069	Screw without Head Din 916 M5x16 NE for 47088, 47288	26	AH060	Plate. Controls Panel for 47088, 47288	78	69218	Screw Poeliers M5x8 for 47088, 47288	152
AH050	Spacer for 47088, 47288	28	AH011	Screw TC+Din 7985 M4x8 for 47088, 47288	79	AH063	Lid Frame for 47088, 47288	154
AH034	Ball Bearing 6204 2RS NTN for 47088, 47288	30, 34	AG971	Face Plate. Controls Panel for 47088, 47288	80A	AH013	Flathead CSK Screw Din 7991 M5x14 for 47088, 47288	156
AH037	Spiral Cast Iron Supp Y12 HRC 30 Lav. for 47088, 47288	32B	AH012	Screw TSPEI Din 7991 M5x8 for 47088, 47288	82, 292	AH055	Lid Shaft for 47088, 47288	160
AH052	Dist.Int.Cusc.Supp.Spiral for 47088, 47288	33	AH014	Washer F.Larga Din 9021 D4x12 for 47088, 47288	84, 273	AG996	Plastic Washer 16x25x1 for 47088, 47288	161
AH049	Spiral Support Plate Y12 for 47088, 47288	36B	AG949	Black Push Button N.O. for 47088, 47288	86	AH006	Stop Rings Din 471 D15E for 47088, 47288	162
62644	Flat Washer Din 125 D8 for 47088, 47288	37, 334, 356	AG947	Stainless Steel Off Button Resin-Coated Y12 UL for 47088, 47288	86B	18960	Magnet for SO Anodized for 47088, 47288	166
AH048	Spiral Y17 for 47088, 47288	40	AG951	Unified Light UL 24 V for 47088, 47288	88	AG997	Cam TA for 47088, 47288	168
AH022	Screw TE Din 933 M8x25 T.F. for 47088, 47288	43, 234	AG950	White Push Button N.O. for 47088, 47288	90	AG977	Washer for 47088, 47288	172

Parts Breakdown

Model MX-IT-0030-R 47088

Model MX-IT-0030-RT 47288

Item No.	Description	Position	Item No.	Description	Position	Item No.	Description	Position
AH026	Hex.Nut Din 934 M4 for 47088, 47288	177, 302	AH087	Bowl Insert. TA for 47088, 47288	254	AH101	Retaining Rings Din 471 D16E for 47088, 47288	296
AH000	Washer Flat Din 125 D.4 for 47088, 47288	179, 194	AH085	Fixed Disc TA for 47088, 47288	256	AH104	Grub Screw Din 913 M4x35 CE for 47088, 47288	298
69215	Nut Din 934 M3 for 47088, 47288	182	AH086	Pin for 47088, 47288	258	AH122	Release Shaft TA 30 for 47088, 47288	300
AH017	Screw TCEI Din 912 M4x12 for 47088, 47288	184, 196, 271	AH124	Rubber Protection for 47088, 47288	260	AH123	Hinge Pin 30 TA for 47088, 47288	306
AG989	Corner Plate for 47088, 47288	190	AH121	Rotating Disc 30 TA for 47088, 47288	262	AH075	Handle TA for 47088, 47288	310
AH054	Shaft for 47088, 47288	200	AH118	Welded Head ETL TA 30 Vern. for 47088, 47288	270	AC008	Screw Din 916 M8x10 NE for 47088, 47288	321, 352
AH005	Grower Washer Uni 1751 D18 for 47088, 47288	201	AH111	Gas Spring 084093 TA for 47088, 47288	272	AH089	Transmission Shaft for 47088, 47288	324
AH033	Flat Washer Din 125 D18 Zinc for 47088, 47288	202	AH105	Screw TE Din 933 M6x30 T.F. for 47088, 47288	274	AH103	Pin Inox Din 7 D10x50 for 47088, 47288	326
AH028	Nut ES. Din 934 M18 for 47088, 47288	204	62643	Flat Washer Din 125 D6 for 47088, 47288	275	AH102	C-Clip.Retaining Din 471 D.20 Ext for 47088, 47288	327
AH051	Bowl 400x260 for 47088, 47288	210	AH106	Hex.Nut Din 934 M6 for 47088, 47288	276	AH071	Head Holder for 47088, 47288	330
AG955	Bowl Holder for 47088, 47288	216	AH093	Hexagonal Screw for 47088, 47288	278	AH092	Transmission Joint TA for 47088, 47288	350
AH110	Chain Ring Z85 3/8x7/32" for 47088, 47288	220	AH099	Washer Din 125 D12 for 47088, 47288	280	AH074	Distance Transm. Joint 20-30 TA for 47088, 47288	351
AH023	Screw TE Din 933 M8x35 T.F. for 47088, 47288	228	AH109	Self-Lock Nut ES DIN982 M12 Low for 47088, 47288	282	AG958	Flange Support for 47088, 47288	360
AG981	Shaft. Bowl Support for 47088, 47288	230	AH097	Supp. Cover Sensor M10 TA for 47088, 47288	283	AG969	3-Pole HRC Connector for 47088, 47288	372
AH032	Screw without Head Din 916 M8x16 NE for 47088, 47288	231	AH094	Pin TA for 47088, 47288	284	AG970	8 Poles HRC Connector for 47088, 47288	374
AG945	Bearing 6205 2RS ORS for 47088, 47288	232, 328	AH077	Magnet Sensor Head UL TA for 47088, 47288	288	AH107	Screw without Head Din 916 M8x12 NE for 47088, 47288	380
AG998	Wheels ETL CMT1-3PPB for 47088, 47288	250A	AH119	Protection Micro ETL TA 30 VRN for 47088, 47288	290			
AG999	ETL Wheel C/Brake CMT1-3PPB for 47088, 47288	250B	AH095	Release Lever. TA for 47088, 47288	294			

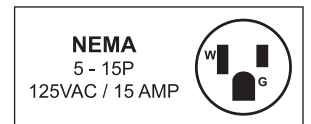
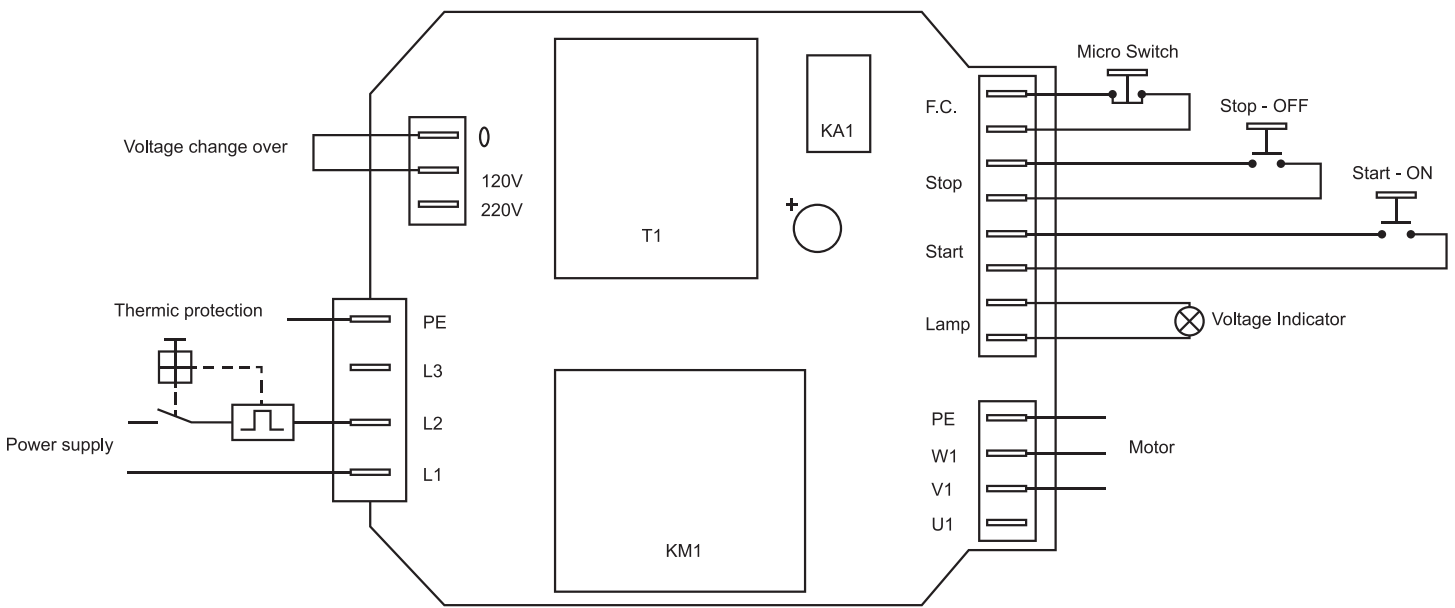
Electrical Schematics

Model MX-IT-0020-F 45417

Model MX-IT-0020-FT 47417

Model MX-IT-0030-R 47088

Model MX-IT-0030-RT 47288



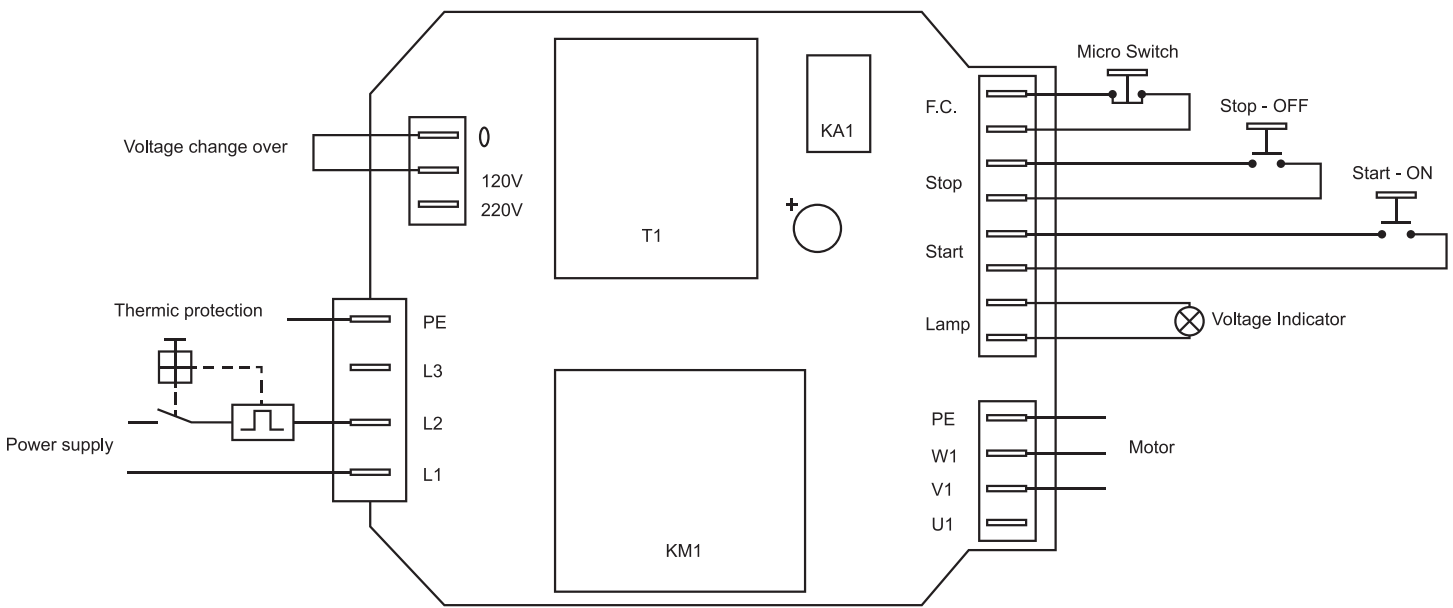
Electrical Schematics

Model MX-IT-0030-F 45418

Model MX-IT-0030-FT 47418

Model MX-IT-0020-R 47087

Model MX-IT-0020-RT 47287



NEMA
6 - 20P
250VAC / 20 AMP



Warranty Registration

Thank you for purchasing an Omcan product. To register your warranty for this product, complete the information below, tear off the card at the perforation and then send to the address specified below. You can also register online by visiting:

Merci d'avoir acheté un produit Omcan. Pour enregistrer votre garantie pour ce produit, complétez les informations ci-dessous, détachez la carte au niveau de la perforation, puis l'envoyer à l'adresse spécifiée ci-dessous. Vous pouvez également vous inscrire en ligne en visitant:

Gracias por comprar un producto Omcan usted. Para registrar su garantía para este producto, complete la información a continuación, cortar la tarjeta en la perforación y luego enviarlo a la dirección indicada a continuación. También puede registrarse en línea en:

<https://omcan.com/warranty-registration/>

For mailing in Canada

Pour postale au Canada

Por correo en Canadá

For mailing in the US

Pour diffusion aux États-Unis

Por correo en los EE.UU.

OMCAN

PRODUCT WARRANTY REGISTRATION

3115 Pepper Mill Court,
Mississauga, Ontario
Canada, L5L 4X5

OMCAN

PRODUCT WARRANTY REGISTRATION

4450 Witmer Industrial Estates, Unit 4,
Niagara Falls, New York
USA, 14305

or email to: service@omcan.com



Purchaser's Information

Name: _____

Address: _____

City: _____ Province or State: _____ Postal or Zip: _____

Country: _____

Dealer from which Purchased: _____

Dealer City: _____ Dealer Province or State: _____

Invoice: _____

Model Name: _____ Model Number: _____

Machine Description: _____

Date of Purchase (MM/DD/YYYY): _____

Would you like to extend the warranty? Yes No

Company Name: _____

Telephone: _____

Email Address: _____

Type of Company:

Restaurant Bakery Deli

Butcher Supermarket Caterer

Institution (specify): _____

Other (specify): _____

Serial Number: _____

Date of Installation (MM/DD/YYYY): _____

Thank you for choosing Omcan | Merci d'avoir choisi Omcan | Gracias por elegir Omcan



Since 1951 Omcan has grown to become a leading distributor of equipment and supplies to the North American food service industry. Our success over these many years can be attributed to our commitment to strengthen and develop new and existing relationships with our valued customers and manufacturers. Today with partners in North America, Europe, Asia and South America, we continually work to improve and grow the company. We strive to offer customers exceptional value through our qualified local sales and service representatives who provide convenient access to over 6,500 globally sourced products.

Depuis 1951 Omcan a grandi pour devenir un des "leaders" de la distribution des équipements et matériel pour l'industrie des services alimentaires en Amérique du Nord. Notre succès au cours de ces nombreuses années peut être attribué à notre engagement à renforcer et à développer de nouvelles et existantes relations avec nos clients et les fabricants de valeur. Aujourd'hui avec des partenaires en Amérique du Nord, Europe, Asie et Amérique du Sud, nous travaillons continuellement à améliorer et développer l'entreprise. Nous nous efforçons d'offrir à nos clients une valeur exceptionnelle grâce à nos ventes locales qualifiées et des représentants de service qui offrent un accès facile à plus de 6500 produits provenant du monde entier.

Desde 1951 Omcan ha crecido hasta convertirse en un líder en la distribución de equipos y suministros de alimentos en América del Norte industria de servicios. Nuestro éxito en estos años se puede atribuir a nuestro compromiso de fortalecer y desarrollar nuevas relaciones existentes con nuestros valiosos clientes y fabricantes. Hoy con socios de América del Norte, Europa, Asia y América del Sur, que trabajan continuamente para mejorar y crecer la empresa. Nos esforzamos por ofrecer a nuestros clientes valor excepcional a través de nuestro local de ventas y representantes de los servicios que proporcionan un fácil acceso a más de 6,500 productos con origen a nivel mundial.

