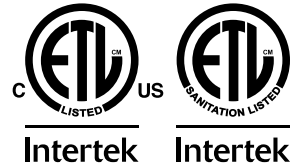




Bandsaw
Model BS-VE-3200-SS
Item 45979
Instruction Manual



Revised - 11/21/2023



Toll Free: 1-800-465-0234
Fax: 905-607-0234
Email: service@omcan.com
www.omcan.com



Table of Contents

Model BS-VE-3200-SS

Section	Page
General Information -----	3 - 4
Safety and Warranty -----	4 - 5
Technical Specifications -----	6
Operation -----	6 - 7
Maintenance -----	7
Parts Breakdown -----	8 - 17
Electrical Schematics -----	18
Warranty Registration -----	19



General Information

Omcan Manufacturing and Distributing Company Inc., Food Machinery of America, Inc. dba Omcan and Omcan Inc. are not responsible for any harm or injury caused due to any person's improper or negligent use of this equipment. The product shall only be operated by someone over the age of 18, of sound mind, and not under the influence of any drugs or alcohol, who has been trained in the correct operation of this machine, and is wearing authorized, proper safety clothing. Any modification to the machine voids any warranty, and may cause harm to individuals using the machine or in the vicinity of the machine while in operation.

CHECK PACKAGE UPON ARRIVAL

Upon receipt of an Omcan shipment please inspect for external damage. If no damage is evident on the external packaging, open carton to ensure all ordered items are within the box, and there is no concealed damage to the machine. If the package has suffered rough handling, bumps or damage (visible or concealed), please note it on the bill of lading before accepting the delivery and contact Omcan within 24 hours, so we may initiate a claim with the carrier. A detailed report on the extent of the damage caused to the machine must be filled out within three days, from the delivery date shown in the shipping documents. Omcan has no recourse for damaged products that were shipped collect or third party.

Before operating any equipment, always read and familiarize yourself with all operation and safety instructions.

Omcan would like to thank you for purchasing this machine. It's of the utmost importance to save these instructions for future reference. Also save the original box and packaging for shipping the equipment if servicing or returning of the machine is required.

Omcan Fabrication et distribution Compañie Limité et Food Machinery d'Amérique, dba Omcan et Omcan Inc. ne sont pas responsables de tout dommage ou blessure causé du fait que toute personne ait utilisé cet équipement de façon irrégulière. Le produit ne doit être exploité que par quelqu'un de plus de 18 ans, saine d'esprit, et pas sous l'influence d'une drogue ou d'alcool, qui a été formé pour utiliser cette machine correctement, et est vêtu de vêtements de sécurité approprié. Toute modification de la machine annule toute garantie, et peut causer un préjudice à des personnes utilisant la machine ou des personnes à proximité de la machine pendant son fonctionnement.

VÉRIFIEZ LE COLIS DÈS RÉCEPTION

Dès réception d'une expédition d'Omcan veuillez inspecter pour dommages externes. Si aucun dommage n'est visible sur l'emballage externe, ouvrez le carton afin de s'assurer que tous les éléments commandés sont dans la boîte, et il n'y a aucun dommage dissimulé à la machine. Si le colis n'a subi aucune mauvaises manipulations, de bosses ou de dommages (visible ou cachée), notez-le sur le bond de livraison avant d'accepter la livraison et contactez Omcan dans les 24 heures qui suivent, pour que nous puissions engager une réclamation auprès du transporteur. Un rapport détaillé sur l'étendue des dommages causés à la machine doit être rempli dans un délai de trois jours, à compter de la date de livraison indiquée dans les documents d'expédition. Omcan n'a aucun droit de recours pour les produits endommagés qui ont été expédiés ou cueilli par un tiers transporteur.

General Information

Avant d'utiliser n'importe quel équipement, toujours lire et vous familiariser avec toutes les opérations et les consignes de sécurité.

Omcan voudrais vous remercier d'avoir choisi cette machine. Il est primordial de conserver ces instructions pour une référence ultérieure. Également conservez la boîte originale et l'emballage pour l'expédition de l'équipement si l'entretien ou le retour de la machine est nécessaire.

Omcan Empresa De Fabricacion Y Distribucion Inc. Y Maquinaria De Alimentos De America, Inc. dba Omcan y Omcan Inc. no son responsables de ningun daño o perjuicio causado por cualquier persona inadecuada o el uso descuidado de este equipo. El producto solo podra ser operado por una persona mayor de 18 años, en su sano juicio y no bajo alguna influencia de droga o alcohol, y que este ha sido entrenado en el correcto funcionamiento de esta máquina, y ésta usando ropa apropiada y autorizada. Cualquier modificación a la máquina anula la garantía y puede causar daños a las personas usando la máquina mientras esta en el funcionamiento.

REVISE EL PAQUETE A SU LLEGADA

Tras la recepcion de un envio Omcan favor inspeccionar daños externos. Si no hay daños evidentes en el empaque exterior, Habra el carton para asegurarse que todos los articulos solicitados estén dentro de la caja y no encuentre daños ocultos en la máquina. Si el paquete ha sufrido un manejo de poco cuidado, golpes o daños (visible o oculto) por favor anote en la factura antes de aceptar la entrega y contacte Omcan dentro de las 24 horas, de modo que podamos iniciar una reclamación con la compañía. Un informe detallado sobre los daños causados a la máquina debe ser llenado en el plazo de tres días, desde la fecha de entrega que se muestra en los documentos de envío. Omcan no tiene ningun recurso por productos dañados que se enviaron a recoger por terceros.

Antes de utilizar cualquier equipo, siempre lea y familiarizarse con todas las instrucciones de funcionamiento y seguridad.

Omcan le gustaría darle las gracias por la compra de esta máquina. Es de la mayor importancia para salvar estas instrucciones para futuras consultas. Además, guarda la caja original y el embalaje para el envío del equipo si servicio técnico o devolución de la máquina que se requiere.

Safety and Warranty

IMPORTANT NOTES

When the upper door is opened where the upper cylindrical flywheel is located, this door is constantly pressing an upper micro switch which goes from NC (normally closed) to NO (normally open), whereby the engine of the machine stops immediately.

When the lower door is opened where the lower conical flywheel is located, this door is constantly pressing a



Safety and Warranty

lower micro switch which goes from NC (normally closed) to NO (normally open) so the machine motor stops immediately.

As an extreme precaution, the emergency button should be pressed to carry out cleaning, maintenance, meat thickness supervision work.

RESIDENTIAL USERS: vendor assumes no liability for parts or labor coverage for component failure or other damages resulting from installation in non-commercial or residential applications. The right is reserved to deny shipment for residential usage; if this occurs, you will be notified as soon as possible.

1 YEAR PARTS AND LABOUR WARRANTY

Within the warranty period, contact Omcan Inc. at 1-800-465-0234 to schedule an Omcan authorized service technician to repair the equipment locally.

Unauthorized maintenance will void the warranty. Warranty covers electrical and part failures, not improper use.

Please see <https://omcan.com/disclaimer> for complete info.

WARNING:

The packaging components are classified as normal solid urban waste and can therefore be disposed of without difficulty.

In any case, for suitable recycling, we suggest disposing of the products separately (differentiated waste) according to the current norms.

DO NOT DISCARD ANY PACKAGING MATERIALS IN THE ENVIRONMENT!

Technical Specifications

Model	BS-VE-3200-SS
Blade Length	126" / 3200mm
Blade Saw Dimensions	0.8" x 12.6" / 20 x 320mm
Cutting Capacity	15" x 18" / 381 x 457mm
Cutting Table	Sliding
Power	3 HP / 2237 W
Electrical	220V / 60Hz / 3
Weight	418.9 lbs. / 190 kgs.
Dimensions	41.4" x 36" x 75.6" / 1052 x 914 x 1920mm
Packaging Weight	525 lbs. / 238.1 kgs.
Packaging Dimensions	48" x 40" x 84" / 1219 x 1016 x 2134mm
Item Number	45979

Operation

A band saw is a machine for cutting bones and cutting meat that is very necessary in butchers, slaughterhouses and delicatessens as they effortlessly and very cleanly cut large bones and pieces of meat.

These saws are also widely used in industrial kitchens as well as in hotels and restaurants.

These meat and bone cutting machines offer excellent performance when working with them in addition to the security that is needed for the person who is working with them, do not suffer any mishap or run the risk of accidentally cutting themselves.

With this meat cutting saw you can regulate the thickness of the piece to be cut as well as a tray that slides to be able to remove the pieces already cut in a practical and safe way.

In addition, the waste obtained with this meat saw can be removed very easily thanks to the box it has.

Using this electric saw to cut meat in the correct and proper way will provide good quality, safe and hygienic cuts. In addition, its butcher's saw blade can cut any type of bone or meat with amazing ease.

GENERAL TIPS

It is necessary to pay attention to a series of tips to correctly use this saw to cut bone and meat that, in addition to facilitating this task, will give the security that is needed when operating with it.

It is essential to wear protective gloves whenever it is going to be used. They have to be adapted to the food industry, as well as provided with protection against cuts. The use of metal mesh gloves is prohibited as there

Operation

is a risk of them catching on the tape.

Before starting to use the butcher bone cutter, carefully read the instructions given by the manufacturer regarding the limits of the thickness, hardness and size of the elements of this machine, which by the way, only you can use to cut the materials indicated in the instructions.

When making the cut, do not push the saw blade to the piece to be cut. It must be the blade that moves by itself through the meat or bone with the help of light pressure. Forcing the cut too much can cause the saw blade to break.

Maintenance

HOW TO CLEAN

One of the most important steps for the proper functioning of a band butcher saw is cleaning it. The continuous cutting of materials creates waste that can accumulate in the spaces of the machine.

A handheld vacuum cleaner can be used to remove the remains of the pieces that have been cut on the band saw, or even special brushes for this.

It is important to check each corner and space to make sure that everything is very clean, especially the gap in which the saw crosses, since many debris accumulate there. It is advisable to do this every time the cutter is used.

MAINTENANCE

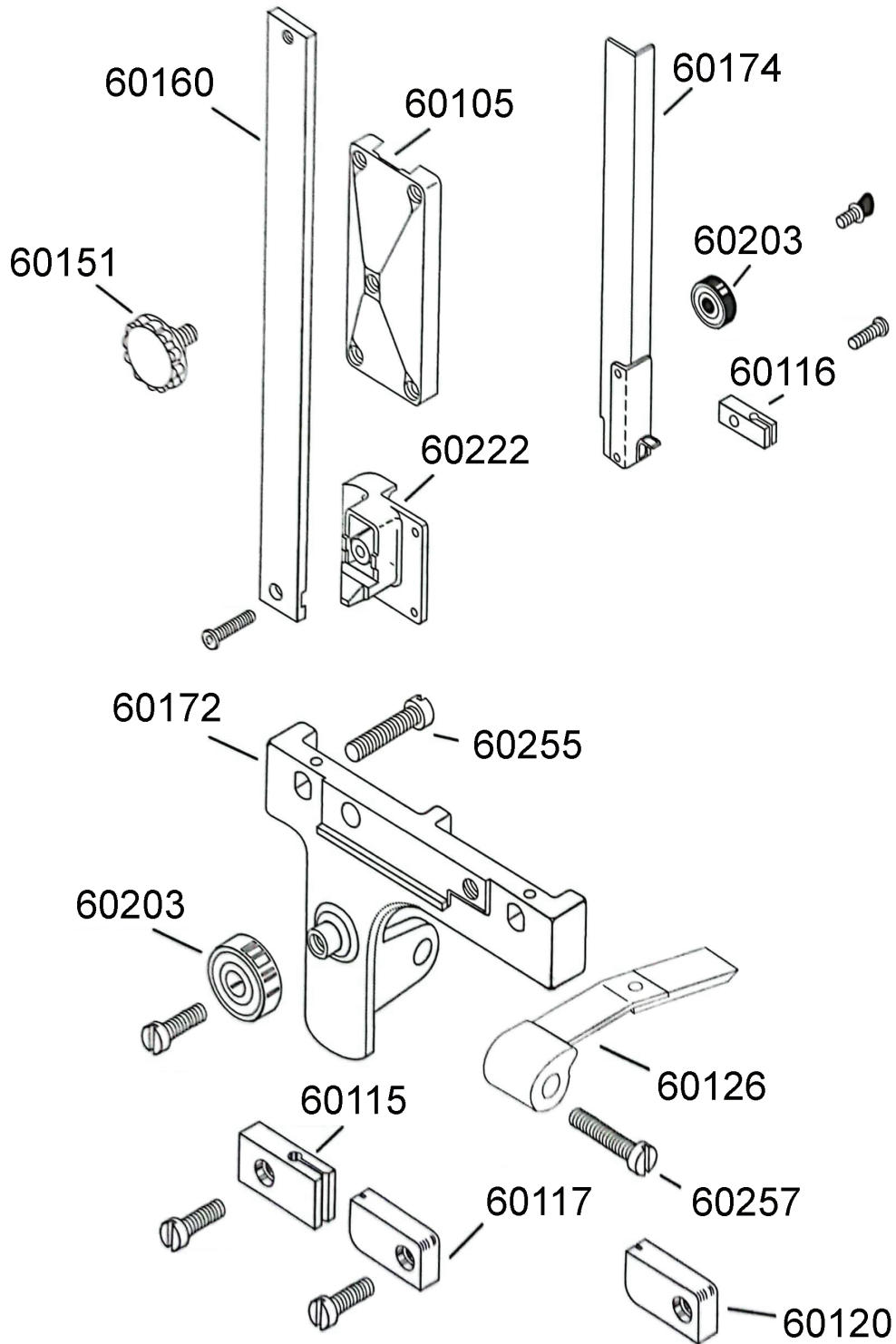
To keep the band saw ready to work at all times and to ensure that its life is longer, it is necessary to carry out periodic inspections in addition to maintaining its good conservation.

To keep the saw in the correct position and to ensure smooth and clean cuts, the positioning of its guides should be checked. To do this, check that they are only touching the body of the saw. If they have lost thickness or are too tight, they will have to be changed or added some sheets that can compensate for wear. This will make precise cuts.

Another part that must be taken care of to ensure that the band saw does its job well is aligning the flywheels, which are responsible for supporting the main body of the machine. You have to achieve equality between the two so that they hold and keep the band saw in place. The tools that are in charge of holding the piece to be cut are the dams and they have to remain with a level of firmness and correct adjustment. In this way the material will stay in place, so its correct maintenance is also essential.

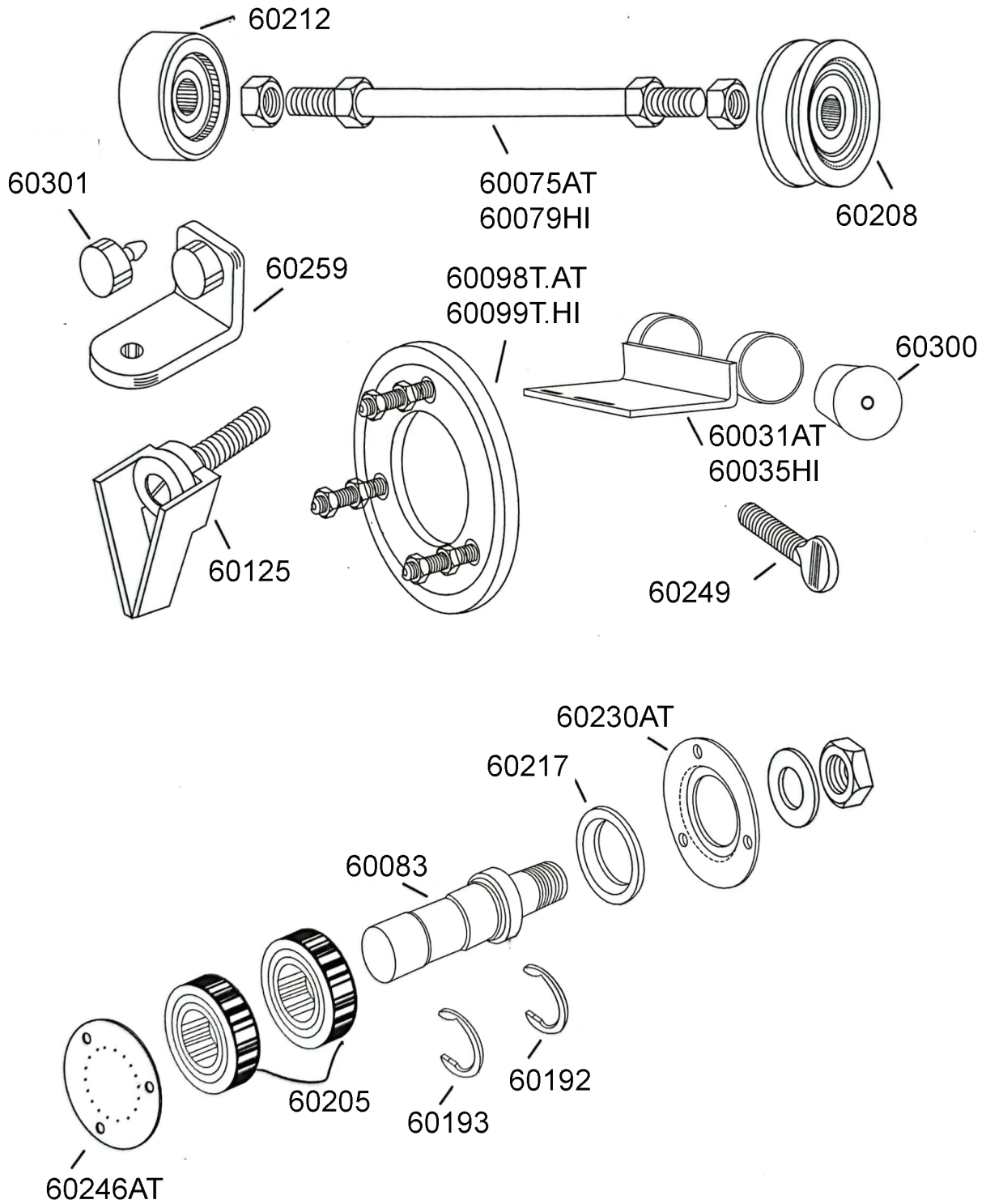
Parts Breakdown

Model BS-VE-3200-SS 45979



Parts Breakdown

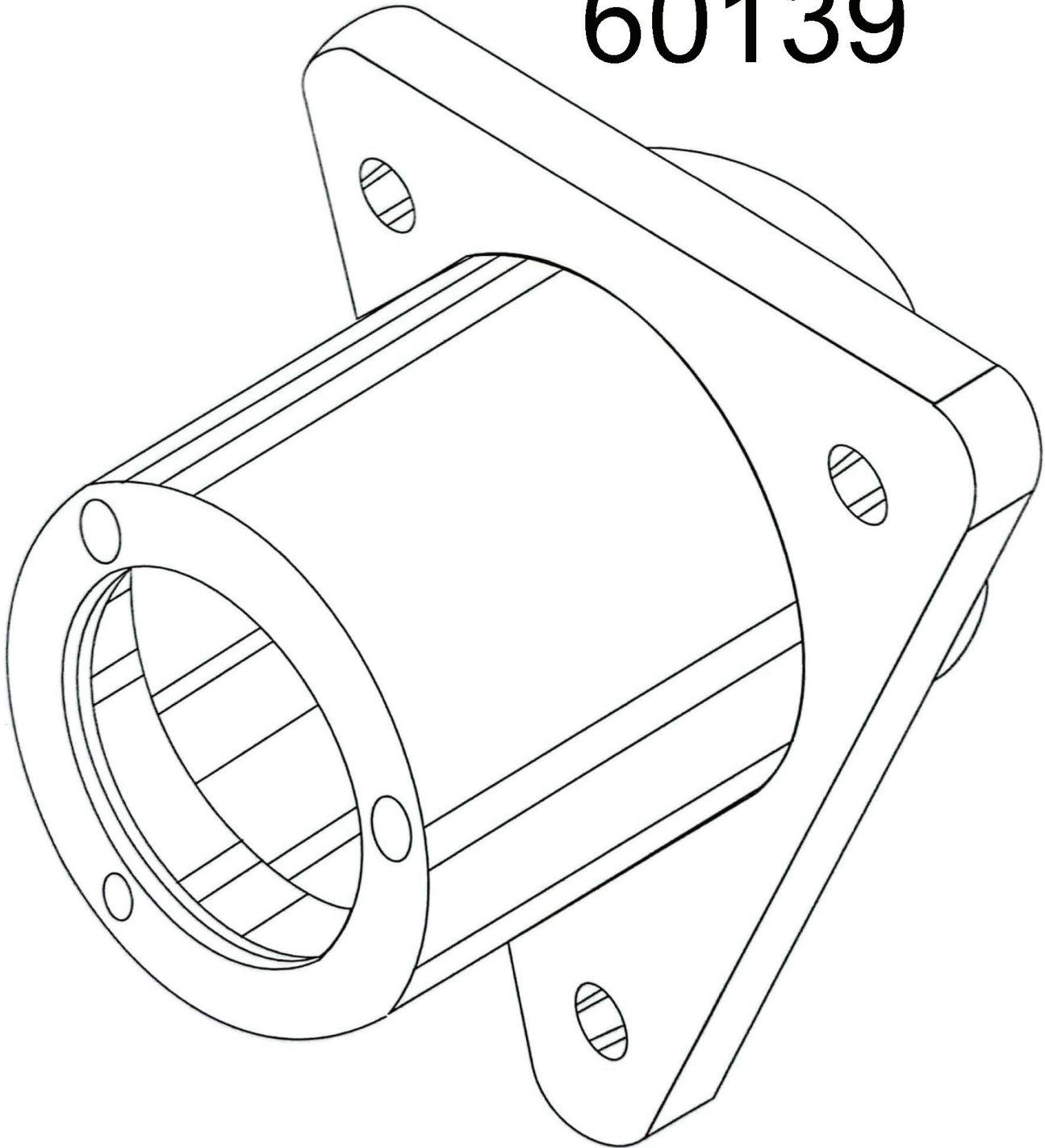
Model **BS-VE-3200-SS** 45979



Parts Breakdown

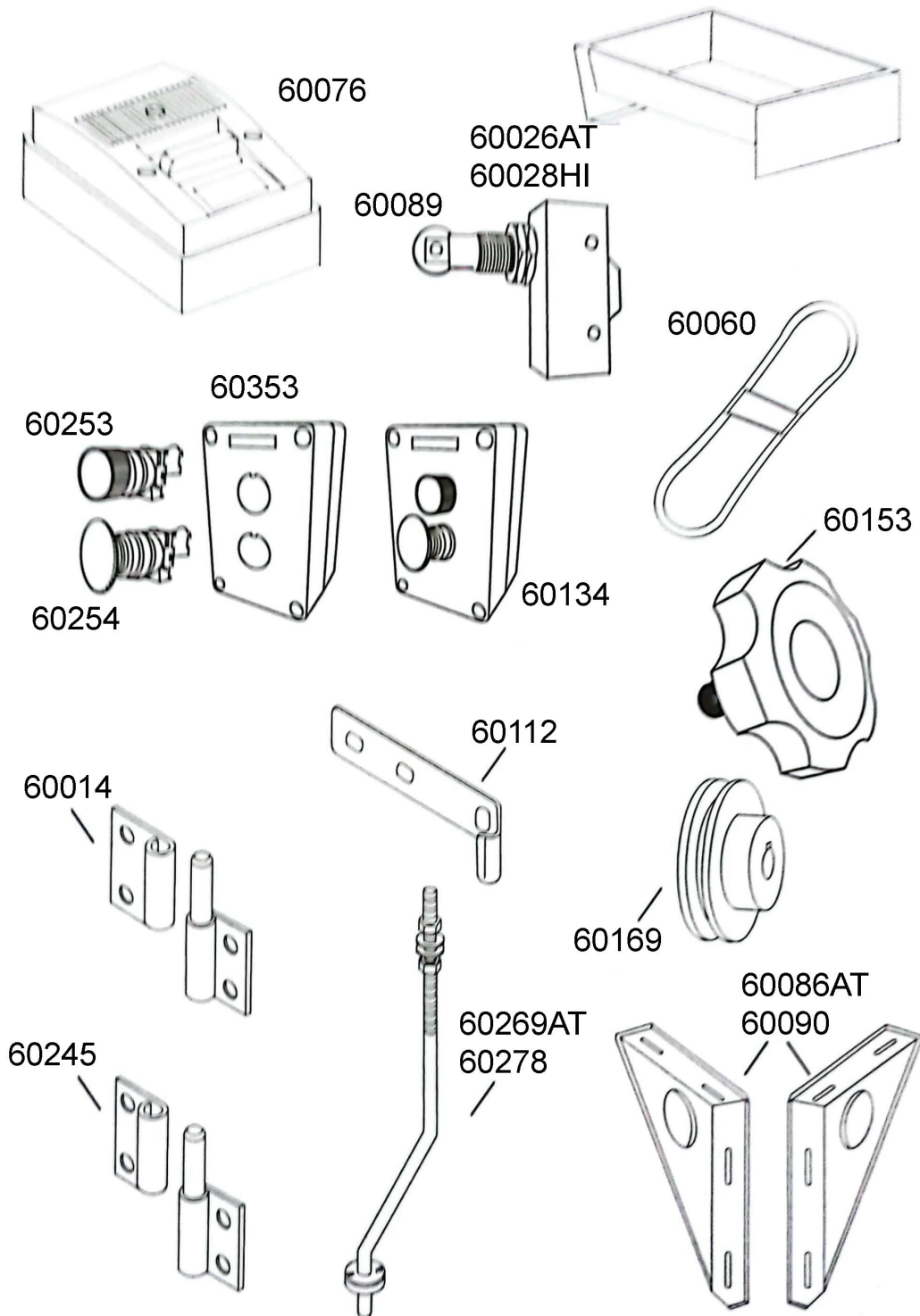
Model *BS-VE-3200-SS* 45979

60139



Parts Breakdown

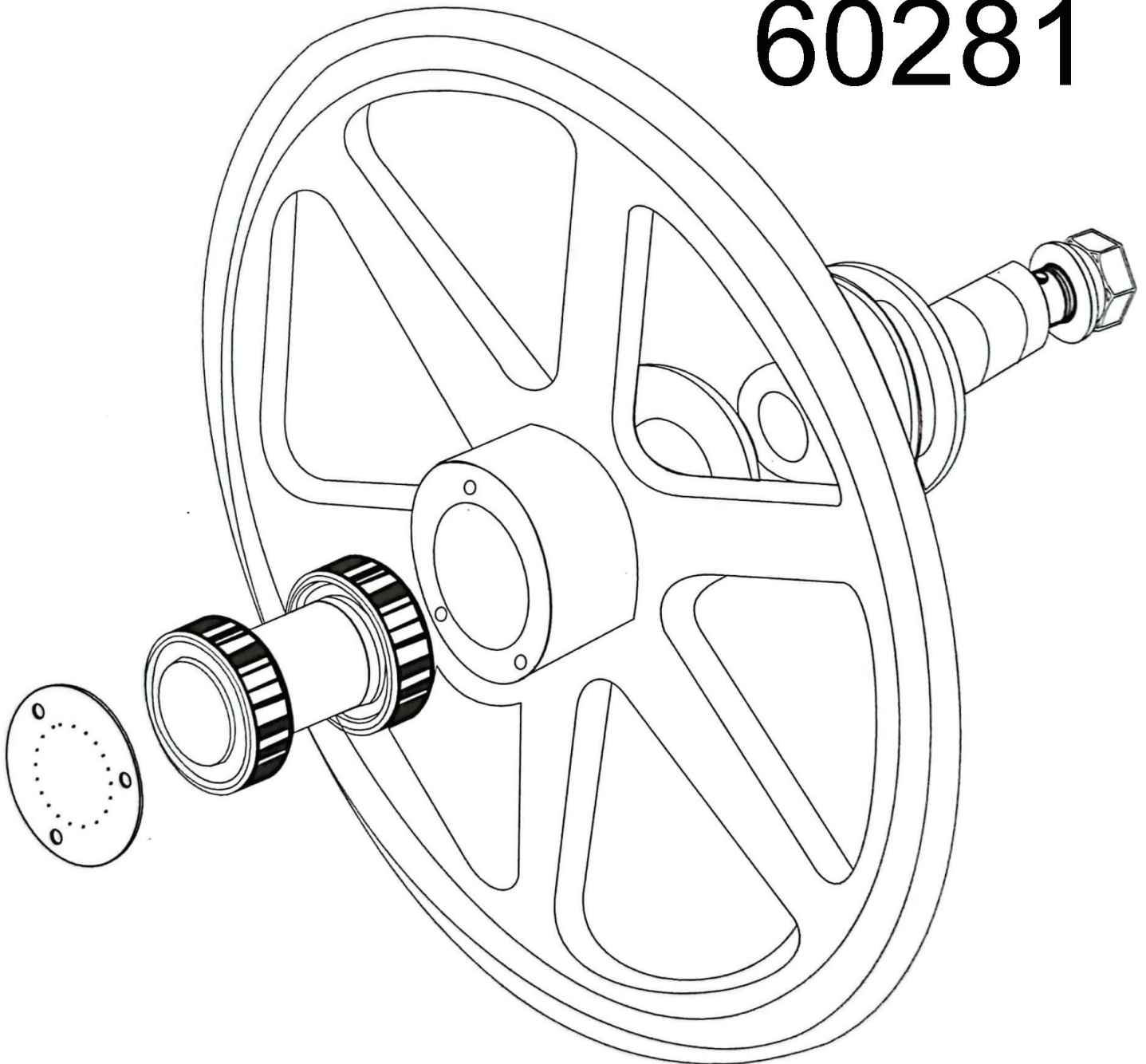
Model **BS-VE-3200-SS** 45979



Parts Breakdown

Model *BS-VE-3200-SS* 45979

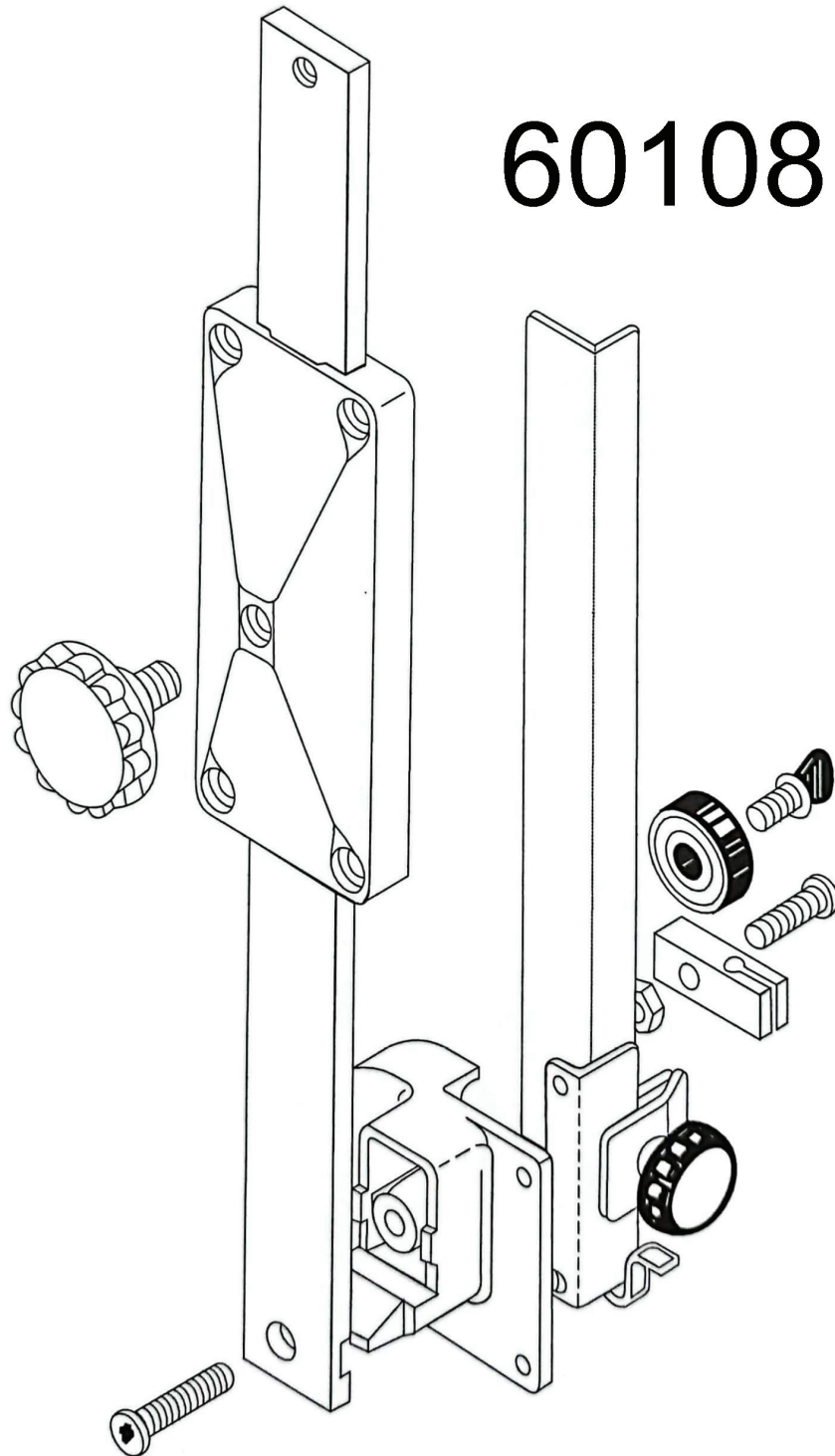
60281



Parts Breakdown

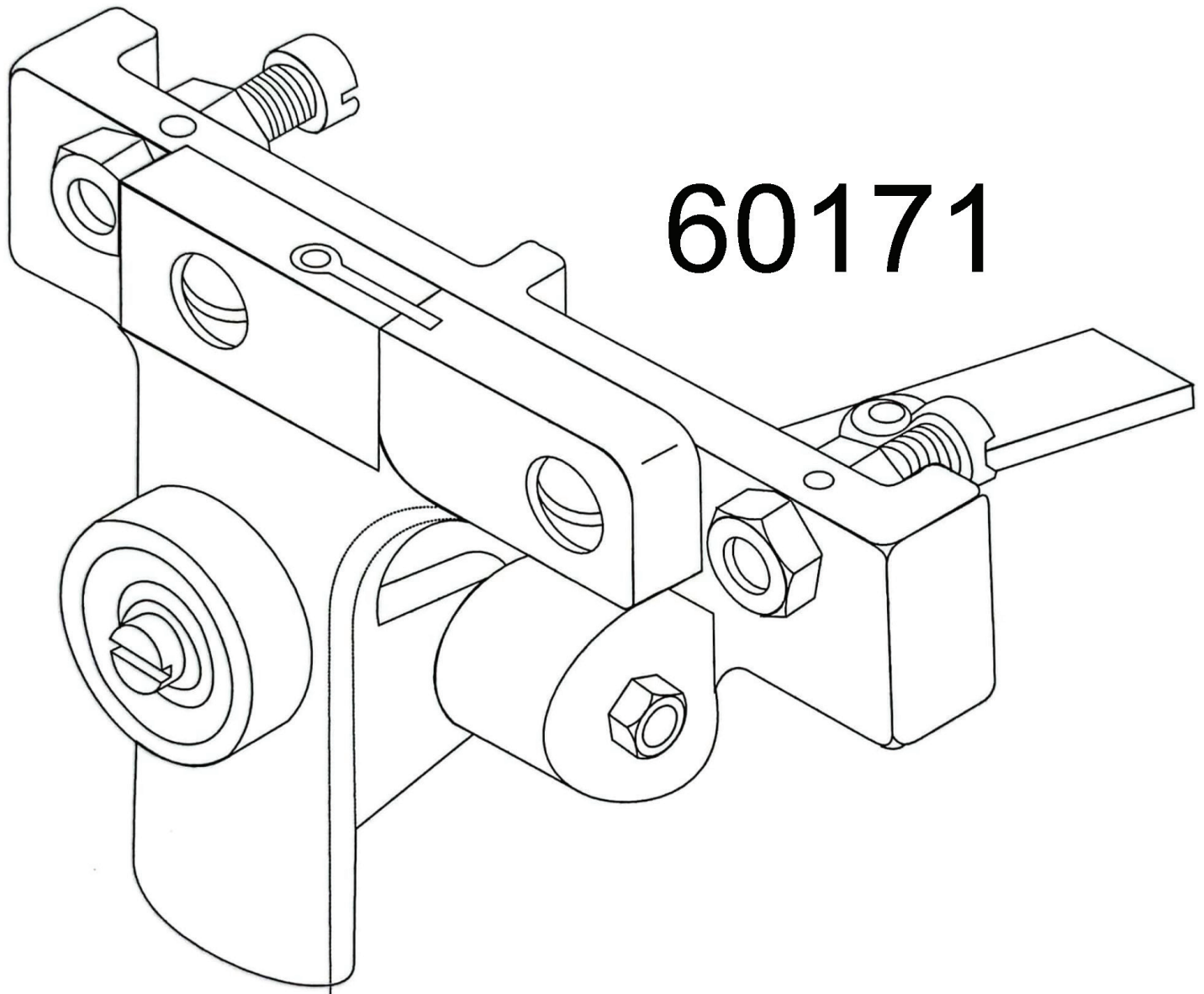
Model **BS-VE-3200-SS** 45979

60108



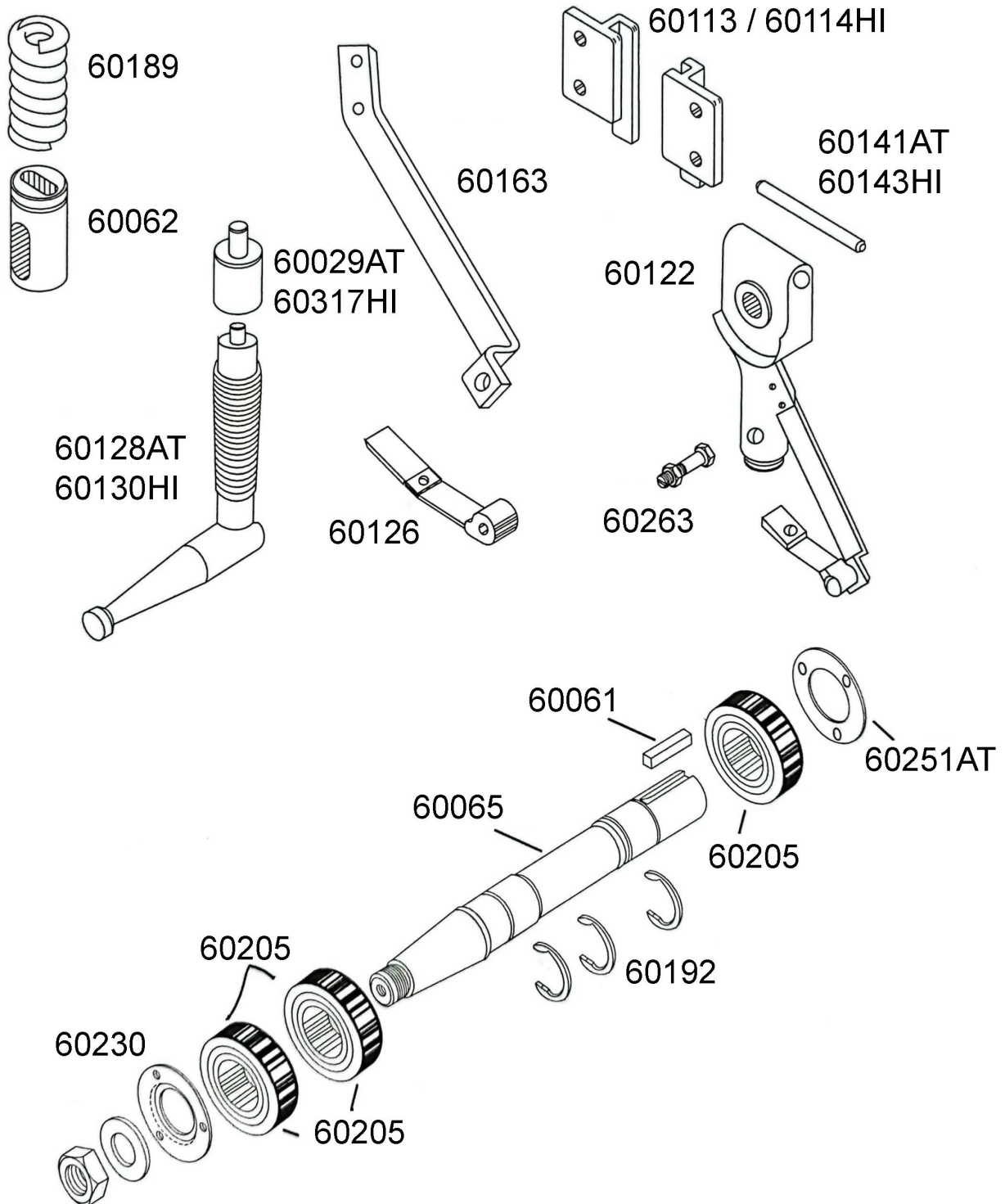
Parts Breakdown

Model **BS-VE-3200-SS** 45979



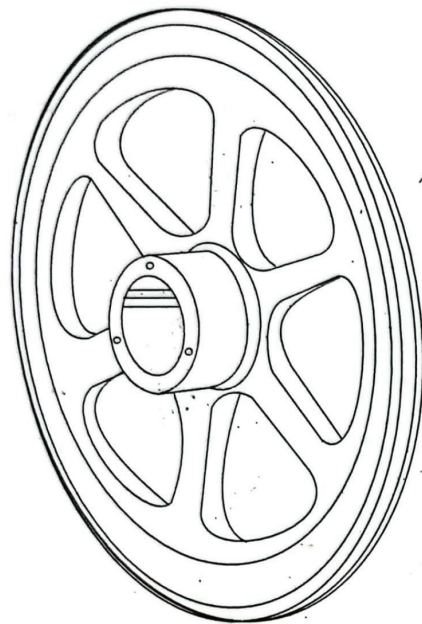
Parts Breakdown

Model **BS-VE-3200-SS** 45979

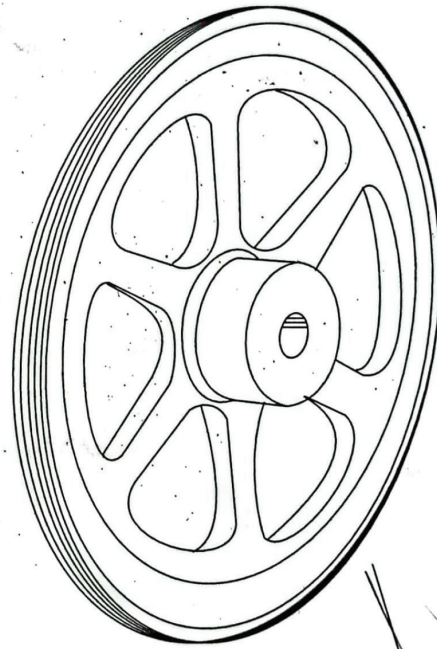


Parts Breakdown

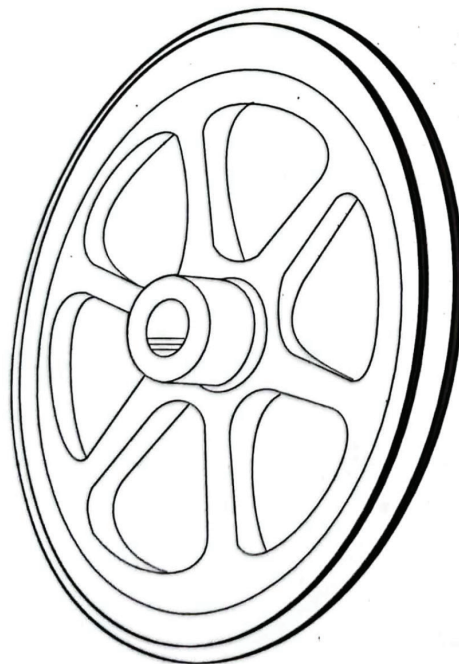
Model **BS-VE-3200-SS** 45979



60291



60275



60299



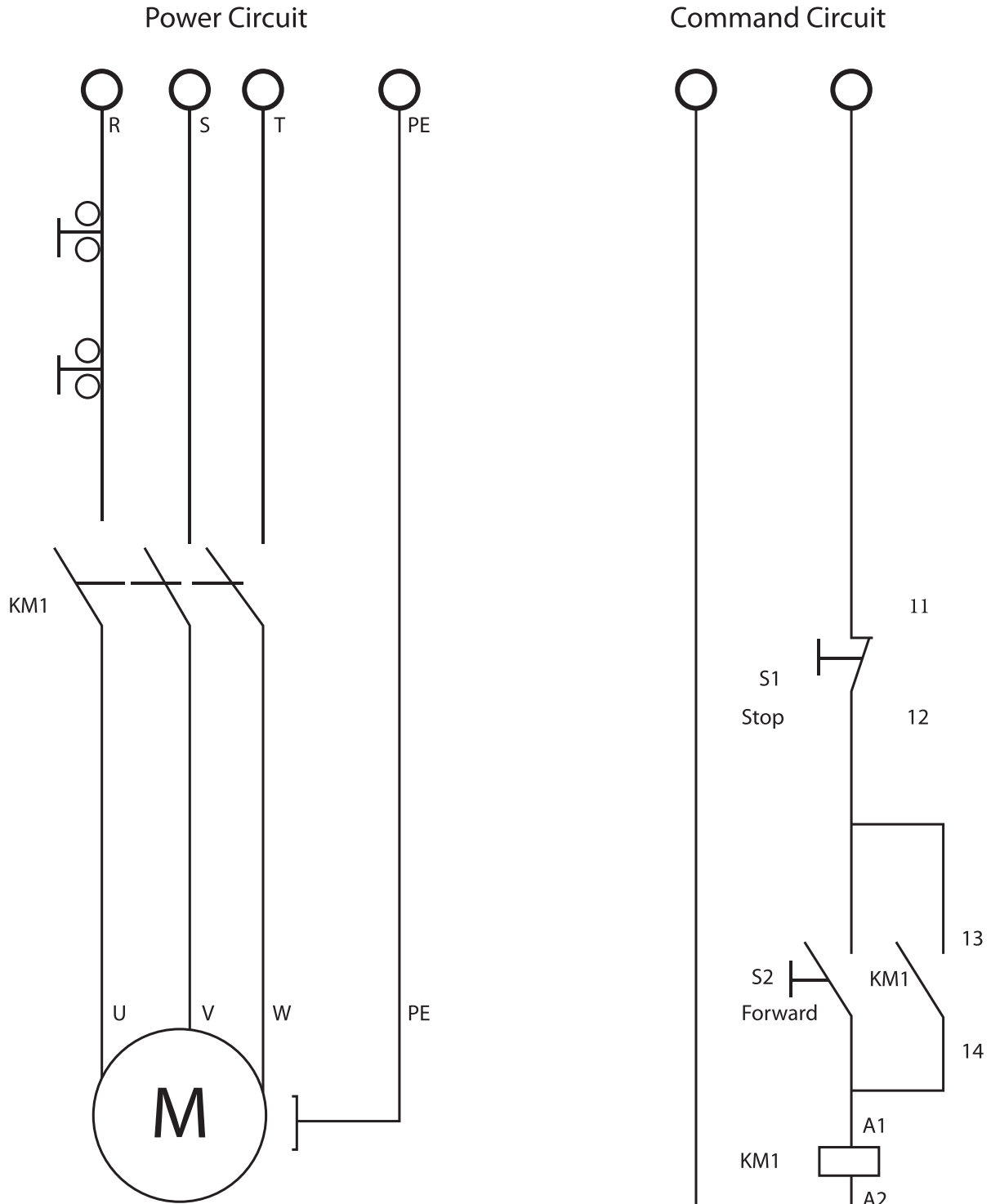
Parts Breakdown

Model BS-VE-3200-SS 45979

Item No.	Description	Position	Item No.	Description	Position	Item No.	Description	Position
62061	Long Door Hinge for 45979	60014	AO952	Aluminum Guide for 45979	60117	40168	Seal Model 30 to 36 for 45979	60217
AO935	Collection Tray for 45979	60026AT	64594	Nylon Guide for 45979	60120	64566	Aluminum Support for 45979	60222
AO936	Collection Tray for 45979	60028HI	64586	Fork for 45979	60122	64574	Flywheel Front Cover for 45979	60230
AO937	Base with Steel or Iron Facial Roller for 45979	60029AT	64578	Cleaning Strap for 45979	60125	AO964	Front Cover for Steering Wheel for 45979	60230AT
AO938	Iron Base for Motor for 45979	60031AT	64579	Scraper for 45979	60126	AO965	Hinge for 45979	60245
AO939	Iron Base for Motor for 45979	60035HI	AO953	Single Handle for 45979	60128AT	AO966	Sealed Steering Wheel Cover for 45979	60246AT
AO940	Belt for 45979	60060	AO954	Single Handle for 45979	60130HI	64570	Tension Screw for 45979	60249
64592	Upper Steel Guide for 45979	60061	AO955	Complete Box + Start & Stop Button for 45979	60134	AO967	Back Cover for Waiter for 45979	60251AT
62184	Spacer for 45979	60062	17710	Clip for 45979	60139	AO968	Green Button for 45979	60253
64583	Lower Shaft of Mozo for 45979	60065	AO956	Iron Pin for 45979	60141AT	AO969	Red Button for 45979	60254
AO941	Cart Wheel Axle for 45979	60075AT	AO957	Iron Pin for 45979	60143HI	62143	Screw for Roller Port Guide for 45979	60255
AO942	Switch for 45979	60076	64571	Front Knob for 45979	60151	AJ915	Screw for 45979	60257
AO943	Cart Wheel Axle for 45979	60079HI	16869	Knob for 45979	60153	62197	Complete Car Iron Wheel for 45979	60259
AO944	Upper Steering Wheel Axle for 45979	60083	64569	Front Platinum for 45979	60160	AO970	Graduation Screw for Top Steering Wheel for 45979	60263
AO945	Iron Squares for 45979	60086AT	AO958	Plate to Hold the Steering Wheel Wiper for 45979	60163	AO971	Screw to Tension the Motor for 45979	60269AT
AO946	Micro Switch for 45979	60089	62203	Motor Pulley for 45979	60169	64564	Lower Flywheel for 45979	60275
AO947	Iron Squares for 45979	60090	61399	Roller Door for Complete Guide for 45979	60171	AO972	Screw to Tension the Motor for 45979	60278
AO948	Aluminum Flank for 45979	60098T.AT	64190	Complete Guide Door for 45979	60172	AO973	Upper Flywheel with Built-in Axle for 45979	60281
AO949	Aluminum Flank for 45979	60099T.HI	AO959	Tape Protector for 45979	60174	64577	Upper Flywheel for 45979	60291
62066	Aluminum Front for 45979	60105	62173	Motor Tension Screw for 45979	60189	64580	Trapezoidal Flywheel for 45979	60299
AO950	Full Front for 45979	60108	AO960	Seal for Upper Shaft for 45979	60192	62151	Motor Base Rubber for 45979	60300
64563	Door Hook for 45979	60112	AO961	Seal for Upper Shaft for 45979	60193	AJ570	Rubber Stopper for 45979	60301
15587	Fluted Guide for 45979	60113	AO962	6200 Belt Roller for 45979	60203	AO974	Base with Steel or Iron Facial Roller for 45979	60317HI
AO951	Grooved Guide for Fork for 45979	60114HI	AO963	Roller Bearing 6206 for Upper Steering Wheel for 45979	60205	AO975	Push Button Case Only for 45979	60353
64593	Lower Steel Guide for 45979	60115	64815	Complete Grooved Wheel for 45979	60208			
64592	Upper Steel Guide for 45979	60116	62194	Complete Flat Wheel for 45979	60212			

Electrical Schematics

Model **BS-VE-3200-SS** 45979





Warranty Registration

Thank you for purchasing an Omcan product. To register your warranty for this product, complete the information below, tear off the card at the perforation and then send to the address specified below. You can also register online by visiting:

Merci d'avoir acheté un produit Omcan. Pour enregistrer votre garantie pour ce produit, complétez les informations ci-dessous, détachez la carte au niveau de la perforation, puis l'envoyer à l'adresse spécifiée ci-dessous. Vous pouvez également vous inscrire en ligne en visitant:

Gracias por comprar un producto Omcan usted. Para registrar su garantía para este producto, complete la información a continuación, cortar la tarjeta en la perforación y luego enviarlo a la dirección indicada a continuación. También puede registrarse en línea en:

<https://omcan.com/warranty-registration/>

For mailing in Canada

Pour postale au Canada

Por correo en Canadá

OMCAN

PRODUCT WARRANTY REGISTRATION

3115 Pepper Mill Court,

Mississauga, Ontario

Canada, L5L 4X5

For mailing in the US

Pour diffusion aux États-Unis

Por correo en los EE.UU.

OMCAN

PRODUCT WARRANTY REGISTRATION

4450 Witmer Industrial Estates, Unit 4,

Niagara Falls, New York

USA, 14305

or email to: service@omcan.com



Purchaser's Information

Name: _____

Address: _____

City: _____ Province or State: _____ Postal or Zip: _____

Country: _____

Dealer from which Purchased: _____

Dealer City: _____ Dealer Province or State: _____

Invoice: _____

Model Name: _____ Model Number: _____

Machine Description: _____

Date of Purchase (MM/DD/YYYY): _____

Would you like to extend the warranty? Yes No

Company Name: _____

Telephone: _____

Email Address: _____

Type of Company:

Restaurant Bakery Deli

Butcher Supermarket Caterer

Institution (*specify*): _____

Other (*specify*): _____

Serial Number: _____

Date of Installation (MM/DD/YYYY): _____

Thank you for choosing Omcan | Merci d'avoir choisi Omcan | Gracias por elegir Omcan



Since 1951 Omcan has grown to become a leading distributor of equipment and supplies to the North American food service industry. Our success over these many years can be attributed to our commitment to strengthen and develop new and existing relationships with our valued customers and manufacturers. Today with partners in North America, Europe, Asia and South America, we continually work to improve and grow the company. We strive to offer customers exceptional value through our qualified local sales and service representatives who provide convenient access to over 6,500 globally sourced products.

Depuis 1951 Omcan a grandi pour devenir un des “leaders” de la distribution des équipements et matériel pour l’industrie des services alimentaires en Amérique du Nord. Notre succès au cours de ces nombreuses années peut être attribué à notre engagement à renforcer et à développer de nouvelles et existantes relations avec nos clients et les fabricants de valeur. Aujourd’hui avec des partenaires en Amérique du Nord, Europe, Asie et Amérique du Sud, nous travaillons continuellement à améliorer et développer l’entreprise. Nous nous efforçons d’offrir à nos clients une valeur exceptionnelle grâce à nos ventes locales qualifiées et des représentants de service qui offrent un accès facile à plus de 6500 produits provenant du monde entier.

Desde 1951 Omcan ha crecido hasta convertirse en un líder en la distribución de equipos y suministros de alimentos en América del Norte industria de servicios. Nuestro éxito en estos años se puede atribuir a nuestro compromiso de fortalecer y desarrollar nuevas relaciones existentes con nuestros valiosos clientes y fabricantes. Hoy con socios de América del Norte, Europa, Asia y América del Sur, que trabajan continuamente para mejorar y crecer la empresa. Nos esforzamos por ofrecer a nuestros clientes valor excepcional a través de nuestro local de ventas y representantes de los servicios que proporcionan un fácil acceso a más de 6,500 productos con origen a nivel mundial.

