



Refrigerated Showcase

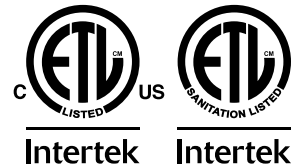
Models RS-CN-0460, 0660, 0860

Items 48351, 48352, 46471

Instruction Manual



Revised - 01/22/2025



Toll Free: 1-800-465-0234
Fax: 905-607-0234
Email: service@omcan.com
www.omcan.com



Table of Contents

Model RS-CN-0460 / Model RS-CN-0660 / Model RS-CN-0860

Section	Page
Disclaimer -----	3
General Information -----	4 - 5
Safety and Warranty -----	5 - 7
Technical Specifications -----	7
Operation -----	8
Maintenance -----	8 - 9
Troubleshooting -----	9 - 10
Parts Breakdown -----	11 - 17
Electrical Schematics -----	18 - 19
Notes -----	20 - 22
Warranty Registration -----	23

OMCAN IS NOT RESPONSIBLE FOR ANY DAMAGES DUE TO WATER LEAKS. WARRANTY FOR WATER LEAKS IS VOID IF THE AMBIENT ROOM TEMPERATURE EXCEEDS 75°F AND 55% RELATIVE HUMIDITY, AND THE APPLIANCE DRAIN IS NOT CONNECTED DIRECTLY TO A FLOOR DRAIN.

OMCAN N'EST PAS RESPONSABLE DES DOMMAGES DUS AUX FUITES D'EAU. LA GARANTIE POUR LES FUITES D'EAU EST ANNULÉE SI LA TEMPÉRATURE AMBIANTE DE LA PIÈCE DÉPASSE 75°F ET 55% D'HUMIDITÉ RELATIVE, ET SI LE DRAIN DE L'APPAREIL N'EST PAS RACCORDÉ DIRECTEMENT À UN DRAIN DE PLANCHER.

OMCAN NO SE HACE RESPONSABLE DE LOS DAÑOS CAUSADOS POR FUGAS DE AGUA. LA GARANTÍA POR FUGAS DE AGUA QUEDA ANULADA SI LA TEMPERATURA AMBIENTE SUPERA LOS 75°F Y EL 55% DE HUMEDAD RELATIVA, Y EL DESAGÜE DEL APARATO NO ESTÁ CONECTADO DIRECTAMENTE A UN DESAGÜE DE PISO.

General Information

Omcan Manufacturing and Distributing Company Inc., Food Machinery of America, Inc. dba Omcan and Omcan Inc. are not responsible for any harm or injury caused due to any person's improper or negligent use of this equipment. The product shall only be operated by someone over the age of 18, of sound mind, and not under the influence of any drugs or alcohol, who has been trained in the correct operation of this machine, and is wearing authorized, proper safety clothing. Any modification to the machine voids any warranty, and may cause harm to individuals using the machine or in the vicinity of the machine while in operation.

CHECK PACKAGE UPON ARRIVAL

Upon receipt of an Omcan shipment please inspect for external damage. If no damage is evident on the external packaging, open carton to ensure all ordered items are within the box, and there is no concealed damage to the machine. If the package has suffered rough handling, bumps or damage (visible or concealed), please note it on the bill of lading before accepting the delivery and contact Omcan within 24 hours, so we may initiate a claim with the carrier. A detailed report on the extent of the damage caused to the machine must be filled out within three days, from the delivery date shown in the shipping documents. Omcan has no recourse for damaged products that were shipped collect or third party.

Before operating any equipment, always read and familiarize yourself with all operation and safety instructions.

Omcan would like to thank you for purchasing this machine. It's of the utmost importance to save these instructions for future reference. Also save the original box and packaging for shipping the equipment if servicing or returning of the machine is required.

Omcan Fabrication et distribution Compagnie Limitée et Food Machinery d'Amérique, dba Omcan et Omcan Inc. ne sont pas responsables de tout dommage ou blessure causé du fait que toute personne ait utilisé cet équipement de façon irrégulière. Le produit ne doit être exploité que par quelqu'un de plus de 18 ans, sain d'esprit, et pas sous l'influence d'une drogue ou d'alcool, qui a été formé pour utiliser cette machine correctement, et est vêtu de vêtements de sécurité appropriés. Toute modification de la machine annule toute garantie, et peut causer un préjudice à des personnes utilisant la machine ou des personnes à proximité de la machine pendant son fonctionnement.

VÉRIFIEZ LE COLIS DÈS RÉCEPTION

Dès réception d'une expédition d'Omcan veuillez inspecter pour dommages externes. Si aucun dommage n'est visible sur l'emballage externe, ouvrez le carton afin de s'assurer que tous les éléments commandés sont dans la boîte, et il n'y a aucun dommage dissimulé à la machine. Si le colis n'a subi aucune mauvaises manipulations, de bosses ou de dommages (visible ou cachée), notez-le sur le bond de livraison avant d'accepter la livraison et contactez Omcan dans les 24 heures qui suivent, pour que nous puissions engager une réclamation auprès du transporteur. Un rapport détaillé sur l'étendue des dommages causés à la machine doit être rempli dans un délai de trois jours, à compter de la date de livraison indiquée dans les documents d'expédition. Omcan n'a aucun droit de recours pour les produits endommagés qui ont été expédiés ou cueillis par un tiers transporteur.

Avant d'utiliser n'importe quel équipement, toujours lire et vous familiariser avec toutes les opérations et les



General Information

consignes de sécurité.

Omcan voudrais vous remercier d'avoir choisi cette machine. Il est primordial de conserver ces instructions pour une référence ultérieure. Également conservez la boîte originale et l'emballage pour l'expédition de l'équipement si l'entretien ou le retour de la machine est nécessaire.

Omcan Empresa De Fabricacion Y Distribucion Inc. Y Maquinaria De Alimentos De America, Inc. dba Omcan y Omcan Inc. no son responsables de ningun daño o perjuicio causado por cualquier persona inadecuada o el uso descuidado de este equipo. El producto solo podra ser operado por una persona mayor de 18 años, en su sano juicio y no bajo alguna influencia de droga o alcohol, y que este ha sido entrenado en el correcto funcionamiento de esta máquina, y ésta usando ropa apropiada y autorizada. Cualquier modificación a la máquina anula la garantía y puede causar daños a las personas usando la máquina mientras esta en el funcionamiento.

REVISE EL PAQUETE A SU LLEGADA

Tras la recepcion de un envio Omcan favor inspeccionar daños externos. Si no hay daños evidentes en el empaque exterior, Habra el carton para asegurarse que todos los articulos solicitados estén dentro de la caja y no encuentre daños ocultos en la máquina. Si el paquete ha sufrido un manejo de poco cuidado, golpes o daños (visible o oculto) por favor anote en la factura antes de aceptar la entrega y contacte Omcan dentro de las 24 horas, de modo que podamos iniciar una reclamación con la compañía. Un informe detallado sobre los daños causados a la máquina debe ser llenado en el plazo de tres días, desde la fecha de entrega que se muestra en los documentos de envío. Omcan no tiene ningun recurso por productos dañados que se enviaron a recoger por terceros.

Antes de utilizar cualquier equipo, siempre lea y familiarizarse con todas las instrucciones de funcionamiento y seguridad.

Omcan le gustaría darle las gracias por la compra de esta máquina. Es de la mayor importancia para salvar estas instrucciones para futuras consultas. Además, guarda la caja original y el embalaje para el envío del equipo si servicio técnico o devolución de la máquina que se requiere.

Safety and Warranty

HANDLING AND INSTALLATION

Handle with care Unplug wall socket before moving. Never tilt the refrigerator over 45 degrees during handling.	Storage Always store the refrigerator in a dry place.
---	---

Safety and Warranty

<p>Sufficient space To allow for proper air circulation and increased refrigeration capabilities, the refrigerator must have at least 4 inches of space between wall and unit.</p>	<p>Proper ventilation Always place the refrigerator in an area with good ventilation. For first time use, wait at least 2 hours before plugging into wall socket.</p>
<p>Away from heat source Never place the refrigerator near any type of heat source or in direct sunlight, as it reduces refrigeration capabilities.</p>	<p>No heavy load Never put heavy items on top of the refrigerator.</p>
<p>No alterations/tampering Never tamper with or make changes to the refrigerator. Changes and add-ons should not be installed to the inside or outside of the refrigerator.</p>	<p>Stable location Unpack and place the refrigerator on flat, solid ground.</p>

PREPARATION AND POWER SUPPLY

<p>Exclusive power outlet Power supply should be 110-120V, single phase AC with exclusive single phase three pin outlet (125V/15A) and fuse. The power outlet must be in close proximity to the ground.</p>	<p>No shared power outlets Refrigerator cable should never share the power outlet with any other appliance, as cable will overheat and may result in a fire.</p>
<p>Protect cables Extra caution should be used when handling cables, as broken or damaged cables can cause sparking and may result in a fire.</p>	<p>No water flushing Never flush the refrigerator surface. This can cause leakage, which may result in electrical damage or fire.</p>
<p>Never store flammables and explosives No explosives or flammables should be stored in, or in proximity to, the refrigerator, such as gasoline, alcohol, and adhesives.</p>	<p>No spray Never spray flammables such as paint or coating near the refrigerator. This may cause fire or malfunction.</p>
<p>After power outage After a power outage or the unplugging of the refrigerator, wait at least 5 minutes before plugging it back in.</p>	<p>No medicine Medicine should not be stored inside of the refrigerator.</p>

RESIDENTIAL USERS: vendor assumes no liability for parts or labor coverage for component failure or other damages resulting from installation in non-commercial or residential applications. The right is reserved to deny shipment for residential usage; if this occurs, you will be notified as soon as possible.

2 YEARS PARTS AND LABOUR & 5 YEARS PARTS ONLY ON COMPRESSOR WARRANTY

Within the warranty period, contact Omcan Inc. at 1-800-465-0234 to schedule an Omcan authorized service technician to repair the equipment locally.



Safety and Warranty

Unauthorized maintenance will void the warranty. Warranty covers electrical and part failures, not improper use.

Please see <https://omcan.com/disclaimer> for complete info.

WARNING:

The packaging components are classified as normal solid urban waste and can therefore be disposed of without difficulty.

In any case, for suitable recycling, we suggest disposing of the products separately (differentiated waste) according to the current norms.

DO NOT DISCARD ANY PACKAGING MATERIALS IN THE ENVIRONMENT!

Technical Specifications

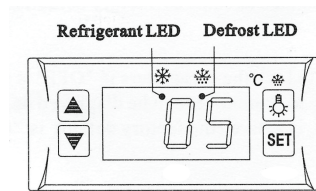
Model	RS-CN-0460	RS-CN-0660	RS-CN-0860
Item Number	48351	48352	46471
Capacity	467 L / 16.49 cu.ft.	633 L / 22.35 cu.ft.	799 L / 28.21 cu.ft.
Power	590 W	680 W	
Electrical	110-120V / 60Hz / 1		
Refrigerant Type	R290		
Temperature Range	0 - 12°C / 32 - 53.6°F		
Max Ambient Temp Rating	32°C / 90°F		
Door Style	Front Hinge Door / Back Sliding Door		
Door Type	Double Tempered Glass		
Number of Doors	2		
Number of Shelves	3		
Dimensions	36.2" x 32.6" x 56.7" 920 x 828 x 1440mm	48" x 32.6" x 56.7" 1220 x 828 x 1440mm	59.8" x 32.6" x 56.7" 1520 x 828 x 1440mm
Weight	366 lbs. / 166 kgs.	454.2 lbs. / 206 kgs.	518 lbs. / 235 kgs.
Packaging Weight	440.9 lbs. / 200 kgs.	540.1 lbs. / 245 kgs.	617 lbs. / 280 kgs.

Operation

BEFORE USE

- Plug refrigerator into the 110-120V exclusive socket.
- After the refrigerator is running, confirm that air suction/filtration is in order and that it is sufficiently cold. After checking to make sure the refrigerator is working properly, it may be used.

DIGITAL TEMPERATURE CONTROLLER



Small, integrated digital controller, which is applicable to the compressor of 1 HP.

Main functions are: temperature display, temperature control, manual-automatic, light control, value storing, self-testing, parameter locking.

FRONT PANEL OPERATION

1. Set temperature: press **SET** button; set temperature will be displayed. Press **▲** or **▼** button to modify and store the displayed value. Press **SET** button to exit the adjustment and display the cold-room temperature.
2. If no button is pressed within 10 seconds, the cold-room temperature will be displayed.
3. Lighting: press **☺** button to activate light in refrigerator; press again to turn off. Manual start/stop defrost: press **☺** button and hold for 6 seconds to either defrost or to stop defrost.
4. Refrigeration LED: during refrigeration, the LED is on. When the cold room temperature is constant, the LED is off. During delay start, the LED flashes.
5. Defrost LED: during defrosting, the LED is on. When it stops defrosting, the LED is off. During the delay of defrost, the LED flashed.

Maintenance

NOTE: THE FRONT GLASS DOOR IS INTENDED TO BE USED DURING CLEANING ONLY. DO NOT OPEN THE FRONT GLASS DOOR TO ACCESS PRODUCT.

1. Cabinet cleaning:
 - a. The product should be maintained and cleaned periodically with power supply disconnected. When cleaning, use mild-rinsing water or non-corrosive products. Do not wash directly with water faucet.
 - b. Clean outside of unit using a soft cloth with neutral detergent, and dry with a separate soft cloth.
 - c. Clean inside racks by removing them from the unit and clean with water.
2. When shutting down unit for a long period of time, take out all food and unplug wall socket. Clean inside

Maintenance

and outside thoroughly, and keep door open to sufficiently dry.

3. As glass breaks easily, keep far away from children.
4. Replacement of lamp in light box: if the LED lamp is damaged, it must be replaced by Omcan or its service agent.
5. Frequently observe the operation of the product. In case of any abnormal noise or smell, cut off the power supply immediately and call professionals. Do not restart the product before source of trouble is found.
6. We will not be responsible for any accidents acquired through failure to follow previous notices.

CAUTIONS

- Minimizing time the time and frequency that the door is open will maintain temperature.
- Never block the air outlet and suction to keep the air circulation and refrigeration capability constant.
- Do not overfill refrigerator with food, as it will influence the cooling effect. If needed, adjust the rack height for proper food storage.
- Cool down hot food to room temperature before placing inside the refrigerator.
- During power interruptions, reduce opening times and maintain cool temperature in refrigerator.
- To avoid scalding, never touch the compressor.
- If the supply cord is damaged, it must be replaced by the manufacturer, its service agent, or similarly qualified persons in order to avoid hazard.
- This appliance is not intended for use by persons (including children) with reduced physical, sensory or mental capabilities, or lack of experience and knowledge, unless they have been given supervision or instruction concerning use of the appliance by a person responsible for their safety.
- Children should be supervised to ensure that they do not play with the appliance.

WARNING: keep ventilation openings clear of obstructions.

WARNING: do not use mechanical devices of other means to accelerate the defrosting process, other than those recommended by the manufacturer.

WARNING: do not damage the refrigerant circuit.

WARNING: do not use electrical appliances inside the food storage compartments of the appliance, unless they are of the type recommended by the manufacturer.

Troubleshooting

Trouble	Cause and Remedy
No refrigeration.	Is the plug fitting in the socket?
	Is the fuse broken?
	Is there no power?

Troubleshooting

Unsatisfactory refrigeration.	Is it under sunshine? Is there any heat source nearby?
	Is the surrounding ventilation poor?
	Is the door closed? Is the door open for a long period of time?
	Is the door seal strip deformed or damaged?
	Is there too much food?
	Does food block the air suction or outlet?
	Regulate the temperature controller.
Noisy.	The refrigerator is not level.
	The refrigerator contacts the wall or other matter.
	There is loose part in refrigerator.
Contact Omcan for help if simple troubleshooting does not solve the problems.	

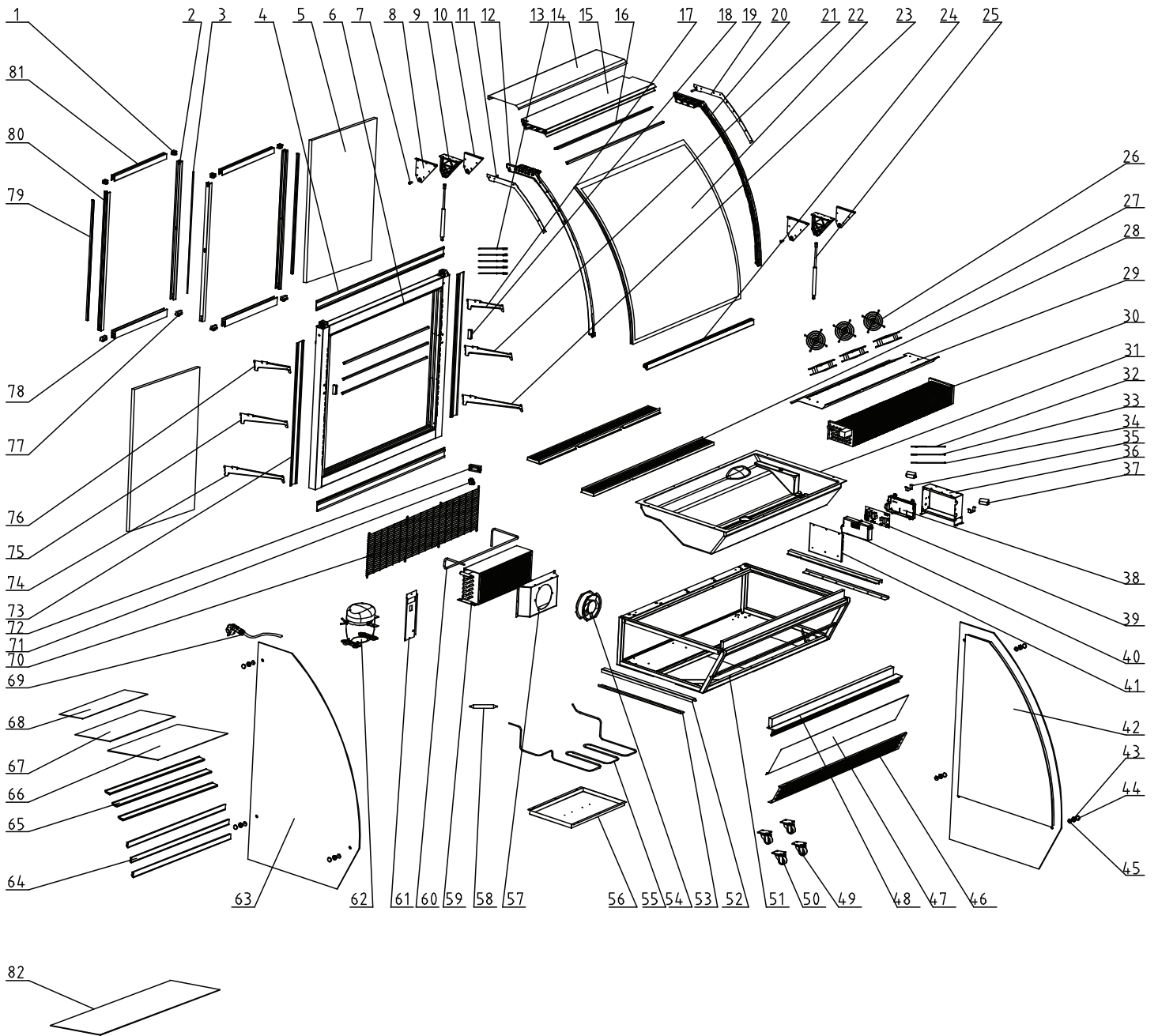
NOTE

Following occurrences are not problems:

- The murmur of water is heard when the refrigerator is working. It is a normal occurrence as the coolant is circulating in the system.
- When the weather is damp, condensation might be found on the outside of the refrigerator. It is caused by high humidity. Simply use cloth to wipe it off.

Parts Breakdown

Model RS-CN-0460 48351



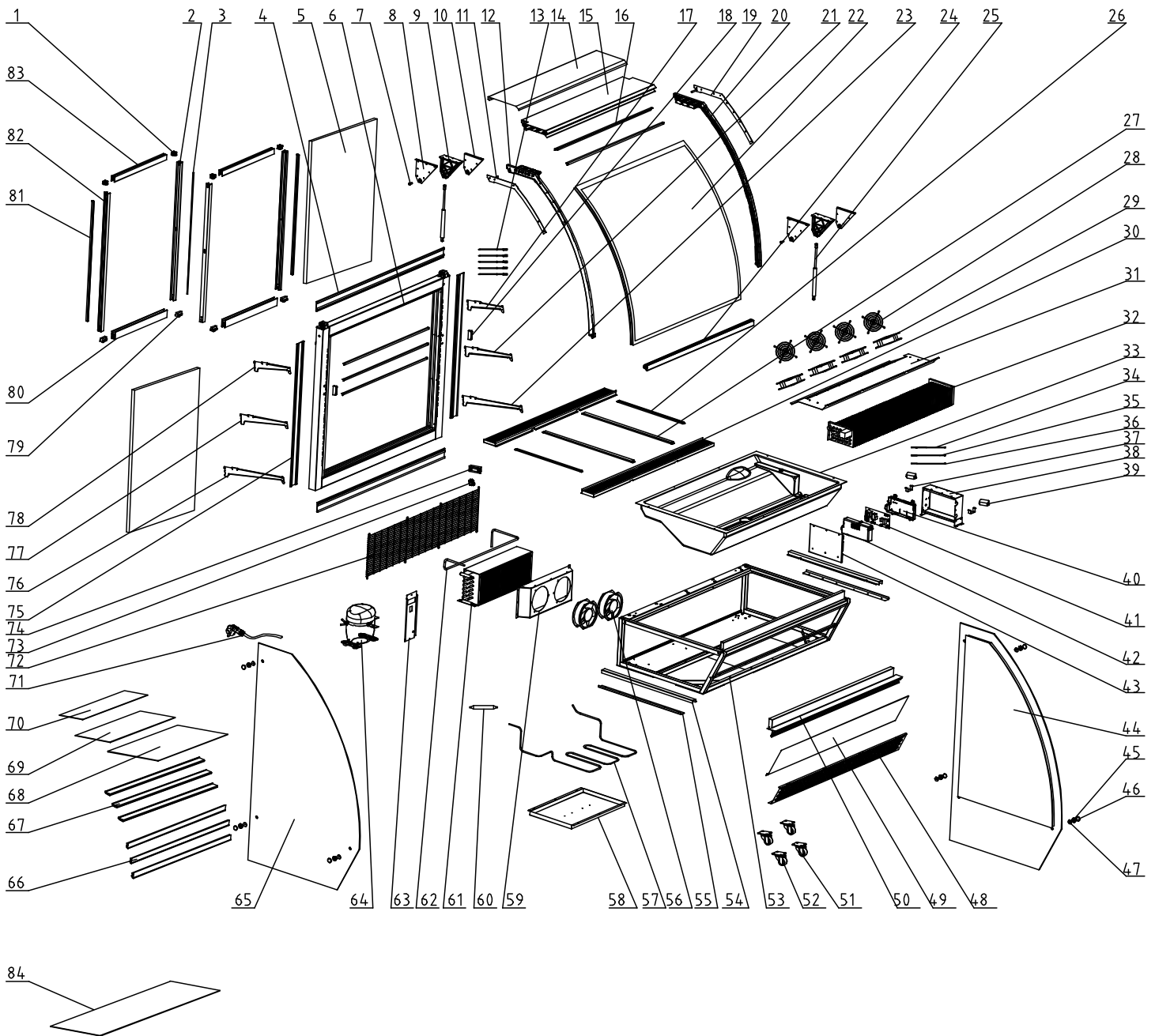
Parts Breakdown

Model RS-CN-0460 48351

Item No.	Description	Position	Item No.	Description	Position	Item No.	Description	Position
AE324	Upper Door Frame Fixer for 48351	1	68567	Inside Top Board for 48351	29	AQ914	Motor Bracket for 48351	57
AE325	Right Door Frame for 48351	2	30779	Condenser for 48351	30	30566	Dry Filter for 48351	58
AE326	Door Seal for 48351	3	AQ910	Evaporator Frame for 48351	31	AQ915	Condenser for 48351	59
AQ899	Upper and Bottom Outer Frame for 48351	4	AE357	Temperature Probe for 48351	32	AQ916	Return Air Tube for 48351	60
AQ900	Door Glass for 48351	5	AE358	Compressor Protect Probe for 48351	33	AE384	Display Panel for 48351	61
AQ901	Door Frame Sets for 48351	6	AE359	Defrost Probe for 48351	34	68199	Compressor for 48351	62
AQ902	Brace Connecting Pin for 48351	7	AE360	Power Fixing Board for 48351	35	AE386	Left Glass for 48351	63
AE331	Brace Left Connecting Plate Threaded Hole for 48351	8	AE361	Main Control Box for 48351	36	AQ917	Price Tag for 48351	64
AE332	Brace Connecting Plate Seat for 48351	9	AE362	LED Transformer for 48351	37	AQ918	Metal Shelf Support for 48351	65
AE333	Brace Right Connecting Plate for 48351	10	62917	Motherboard Fixing Box for 48351	38	AQ919	Shelf Glass (Bottom) for 48351	66
AE334	Arc Left Stiffening Plate for 48351	11	AE394	Digital Controller for 48351	39, 72	AQ920	Shelf Glass (Middle) for 48351	67
30563	Base Foot for 48351	12	AE364	Bottom Cover of Main Board Fixing Box Large for 48351	40	AQ921	Shelf Glass (Top) for 48351	68
AE336	Power Cord Black for 48351	13	AE365	Main Control Box Cover for 48351	41	AE392	Power Cord for 48351	69
AQ903	Arc Door Top Decoration Plate for 48351	14	AE366	Right Glass for 48351	42	AQ922	Back Grill for 48351	70
AQ904	Arc Door Top Plate for 48351	15	AE367	Nut Gasket for 48351	43	62912	Switch for 48351	71
AQ905	LED Lights for 48351	16	AE368	Nut Decoration for 48351	44	AE395	Left and Right Outer Frame for 48351	73
AE340	Right Top Shelf Holder for 48351	17	AE369	Decoration Nut Gasket for 48351	45	AE396	Left Bottom Shelf Holder for 48351	74
AE341	Brace Holder for 48351	18	68583	Evaporator Bracket for 48351	46	AE397	Left Middle Shelf Holder for 48351	75
AQ906	Arc Right Stiffening Plate for 48351	19	AQ911	Front Panel for 48351	47	AE398	Left Top Shelf Holder for 48351	76
AE343	Right Arc Door Frame for 48351	20	71647	Base Feet for 48351	48	AE399	Pulley Assembly for 48351	77
AE344	Right Middle Shelf Holder for 48351	21	AE373	Castor for 48351	49	AQ923	Bottom Door Frame for 48351	78
AQ907	Arc Door Glass for 48351	22	AE374	Castor with Brake for 48351	50	AE401	Door Gasket for 48351	79
AE346	Right Bottom Shelf Holder for 48351	23	68585	Wind Deflector for 48351	51	AE402	Left Door Frame for 48351	80
AQ908	Arc Door Handle Frame for 48351	24	AE376	Side Glass Mate for 48351	52	AQ924	Top Upper Door Frame for 48351	81
68537	Base Board for 48351	25	AE377	Left and Right Side Glass Support Plate for 48351	53	AQ925	Base Glass for 48351	82
71234	Fan Net for 48351	26	AE378	Fan Motor for 48351	54	AT692	Upper Door Seal for 48351	
AE352	Fan Motor for 48351	27	AQ912	High Pressure Copper Tube for 48351	55	AT693	Lower Door Seal for 48351	
AQ909	Vent Tray for 48351	28	AQ913	Water Tray for 48351	56			

Parts Breakdown

Model RS-CN-0660 48352



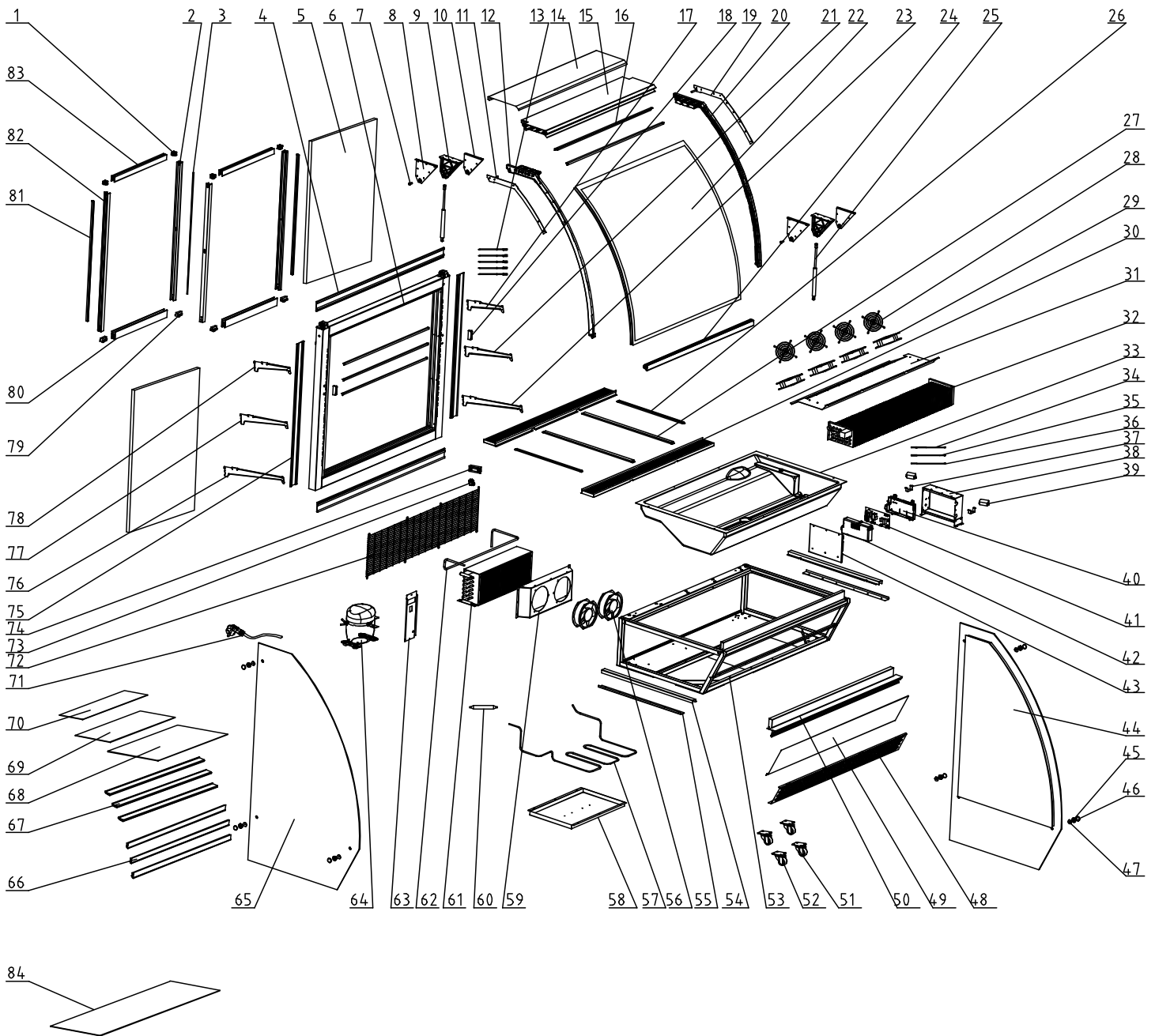
Parts Breakdown

Model RS-CN-0660 48352

Item No.	Description	Position	Item No.	Description	Position	Item No.	Description	Position
AE324	Upper Door Frame Fixer for 48352	1	AE352	Fan Motor for 48352	29	AE379	High Pressure Copper Tube for 48352	57
AE325	Right Door Frame for 48352	2	AQ934	Vent Tray for 48352	30	AE380	Water Tray for 48352	58
AE326	Door Seal for 48352	3	AQ935	Evaporator Cover for 48352	31	AE381	Motor Bracket for 48352	59
AQ926	Upper and Bottom Outer Frame for 48352	4	60934	Condenser for 48352	32	30566	Dry Filter for 48352	60
AQ927	Door Glass for 48352	5	AQ936	Evaporator Frame for 48352	33	AE382	Condenser for 48352	61
67296	Upper Hinge Back for 48352	6	AE357	Temperature Probe for 48352	34	AE383	Return Air Tube for 48352	62
AQ902	Brace Connecting Pin for 48352	7	AE358	Compressor Protect Probe for 48352	35	AE384	Display Panel for 48352	63
AE331	Brace Left Connecting Plate Threaded Hole for 48352	8	AE359	Defrost Probe for 48352	36	68199	Compressor for 48352	64
AE332	Brace Connecting Plate Seat for 48352	9	AE360	Power Fixing Board for 48352	37	AE386	Left Glass for 48352	65
AE333	Brace Right Connecting Plate for 48352	10	AE361	Main Control Box for 48352	38	AQ941	Price Tag for 48352	66
AE334	Arc Left Stiffening Plate for 48352	11	AE362	LED Transformer for 48352	39	AQ942	Metal Shelf Support for 48352	67
30563	Base Foot for 48352	12	62917	Motherboard Fixing Box for 48352	40	AQ943	Shelf Glass (Bottom) for 48352	68
AE336	Power Cord Black for 48352	13	AE394	Digital Controller for 48352	41, 74	AQ944	Shelf Glass (Middle) for 48352	69
AQ928	Arc Door Top Decoration Plate for 48352	14	AE364	Bottom Cover of Main Board Fixing Box Large for 48352	42	AQ945	Shelf Glass (Top) for 48352	70
AQ929	Arc Door Top Plate for 48352	15	AE365	Main Control Box Cover for 48352	43	AE392	Power Cord for 48352	71
AQ930	LED Lights for 48352	16	AE366	Right Glass for 48352	44	AQ946	Back Grill for 48352	72
AE340	Right Top Shelf Holder for 48352	17	AE367	Nut Gasket for 48352	45	62912	Switch for 48352	73
AE341	Brace Holder for 48352	18	AE368	Nut Decoration for 48352	46	AE395	Left and Right Outer Frame for 48352	75
AQ906	Arc Right Stiffening Plate for 48352	19	AE369	Decoration Nut Gasket for 48352	47	AE396	Left Bottom Shelf Holder for 48352	76
AE343	Right Arc Door Frame for 48352	20	AQ937	Front Container Ventilation Plate for 48352	48	AE397	Left Middle Shelf Holder for 48352	77
AE344	Right Middle Shelf Holder for 48352	21	AQ938	Front Panel for 48352	49	AE398	Left Top Shelf Holder for 48352	78
AQ931	Arc Door Glass for 48352	22	AQ939	Front Black Decoration Strip for 48352	50	AE399	Pulley Assembly for 48352	79
AE346	Right Bottom Shelf Holder for 48352	23	AE373	Castor for 48352	51	AQ947	Bottom Door Frame for 48352	80
AQ932	Arc Door Handle Frame for 48352	24	AE374	Castor with Brake for 48352	52	AE401	Door Gasket for 48352	81
AQ933	Gas Spring for 48352	25	AQ940	Underframe Assembly for 48352	53	AE402	Left Door Frame for 48352	82
AE349	Vent Tray Glass Support Plate 1 for 48352	26	AE376	Side Glass Mate for 48352	54	AQ948	Top Upper Door Frame for 48352	83
AE350	Vent Tray Glass Support Plate 2 for 48352	27	AE377	Left and Right Side Glass Support Plate for 48352	55	AT692	Upper Door Seal for 48352	
71234	Fan Net for 48352	28	AE378	Fan Motor for 48352	56	AT694	Lower Door Seal for 48352	

Parts Breakdown

Model RS-CN-0860 46471



Parts Breakdown

Model RS-CN-0860 46471

Item No.	Description	Position	Item No.	Description	Position	Item No.	Description	Position
AE324	Upper Door Frame Fixer for 46471	1	71234	Fan Net for 46471	28	AE378	Fan Motor for 46471	56
AE325	Right Door Frame for 46471	2	AE352	Fan Motor for 46471	29	AE379	High Pressure Copper Tube for 46471	57
AE326	Door Seal for 46471	3	AE353	Vent Tray for 46471	30	AE380	Water Tray for 46471	58
AE327	Upper and Bottom Outer Frames for 46471	4	AE354	Evaporator Cover for 46471	31	AE381	Motor Bracket for 46471	59
AE328	Door Glass for 46471	5	AE355	Evaporator for 46471	32	30624	Dry Filter for 46471	60
AE329	Door Frame Sets for 46471	6	AE356	Evaporator Frame for 46471	33	AE382	Condenser for 46471	61
AE330	Brace Connecting Pin for 46471	7	AE357	Temperature Probe for 46471	34	AE383	Return Air Tube for 46471	62
AE331	Brace Left Connecting Plate Threaded Hole for 46471	8	AE358	Compressor Protect Probe for 46471	35	AE384	Display Panel for 46471	63
AE332	Brace Connecting Plate Seat for 46471	9	AE359	Defrost Probe for 46471	36	68199	Compressor	64
AE333	Brace Right Connecting Plate for 46471	10	AE360	Power Fixing Board for 46471	37	AE386	Left Glass for 46471	65
AE334	Arc Left Stiffening Plate for 46471	11	AE361	Main Control Box for 46471	38	AE387	Price Tag for 46471	66
30563	Left Door Frame for 46471	12	AE362	LED Transformer for 46471	39	AE388	Metal Shelf Support for 46471	67
AE336	Power Cord Black for 46471	13	62917	Motherboard Fixing Box for 46471	40	AE389	Shelf Glass Bottom for 46471	68
AE337	Arc Door Top Decoration Plate for 46471	14	AE364	Bottom Cover of Main Board Fixing Box Large for 46471	42	AE390	Shelf Glass Middle for 46471	69
AE338	Arc Door Top Plate for 46471	15	AE365	Main Control Box Cover for 46471	43	AE391	Shelf Glass Top for 46471	70
AE339	LED Lights for 46471	16	AE366	Right Glass for 46471	44	AE392	Power Cord for 46471	71
AE340	Right Top Shelf Holder for 46471	17	AE367	Nut Gasket for 46471	45	AE393	Back Grill for 46471	72
AE341	Brace Holder for 46471	18	AE368	Nut Decoration for 46471	46	62912	Switch for 46471	73
AE342	Arc Right Stiffening Plate for 46471	19	AE369	Decoration Nut Gasket for 46471	47	AE394	Digital Controller for 46471	74
AE343	Right Arc Door Frame for 46471	20	AE370	Front Condenser Ventilation Plate for 46471	48	AE395	Left and Right Outer Frame for 46471	75
AE344	Right Middle Shelf Holder for 46471	21	AE371	Front Panel for 46471	49	AE396	Left Bottom Shelf Holder for 46471	76
AE345	Arc Door Glass for 46471	22	AE372	Front Black Decorative Strip for 46471	50	AE397	Left Middle Shelf Holder for 46471	77
AE346	Right Bottom Shelf Holder for 46471	23	AE373	Castor for 46471	51	AE398	Left Top Shelf Holder for 46471	78
AE347	Arc Door Handle Frame for 46471	24	AE374	Castor with Brake for 46471	52	AE399	Pulley Assembly for 46471	79
AE348	Gas Spring for 46471	25	AE375	Underframe Assembly for 46471	53	AE400	Bottom Door Frame for 46471	80
AE349	Vent Tray Glass Support Plate 1 for 46471	26	AE376	Side Glass Mate for 46471	54	AE401	Door Gasket for 46471	81
AE350	Vent Tray Glass Support Plate 2 for 46471	27	AE377	Left and Right Side Glass Support Plate for 46471	55	AE402	Left Door Frame for 46471	82

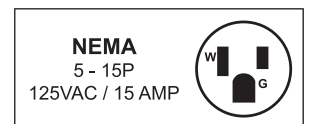
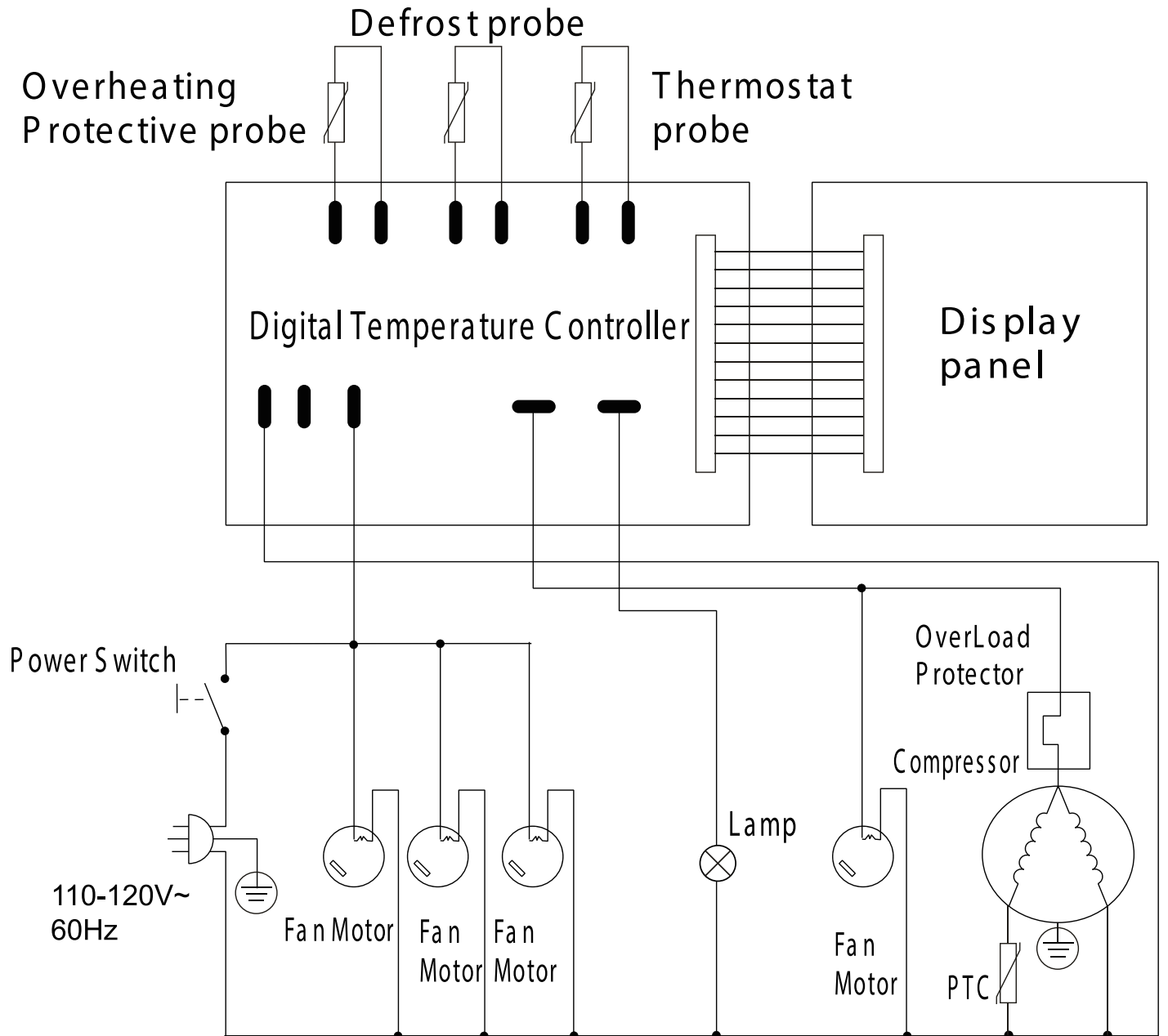
Parts Breakdown

Model RS-CN-0860 46471

Item No.	Description	Position	Item No.	Description	Position
AE403	Top Upper Door Frame for 46471	83	AT692	Upper Door Seal for 46471	
AE404	Base Glass for 46471	84	AT695	Lower Door Seal for 46471	

Electrical Schematics

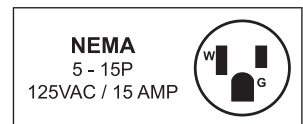
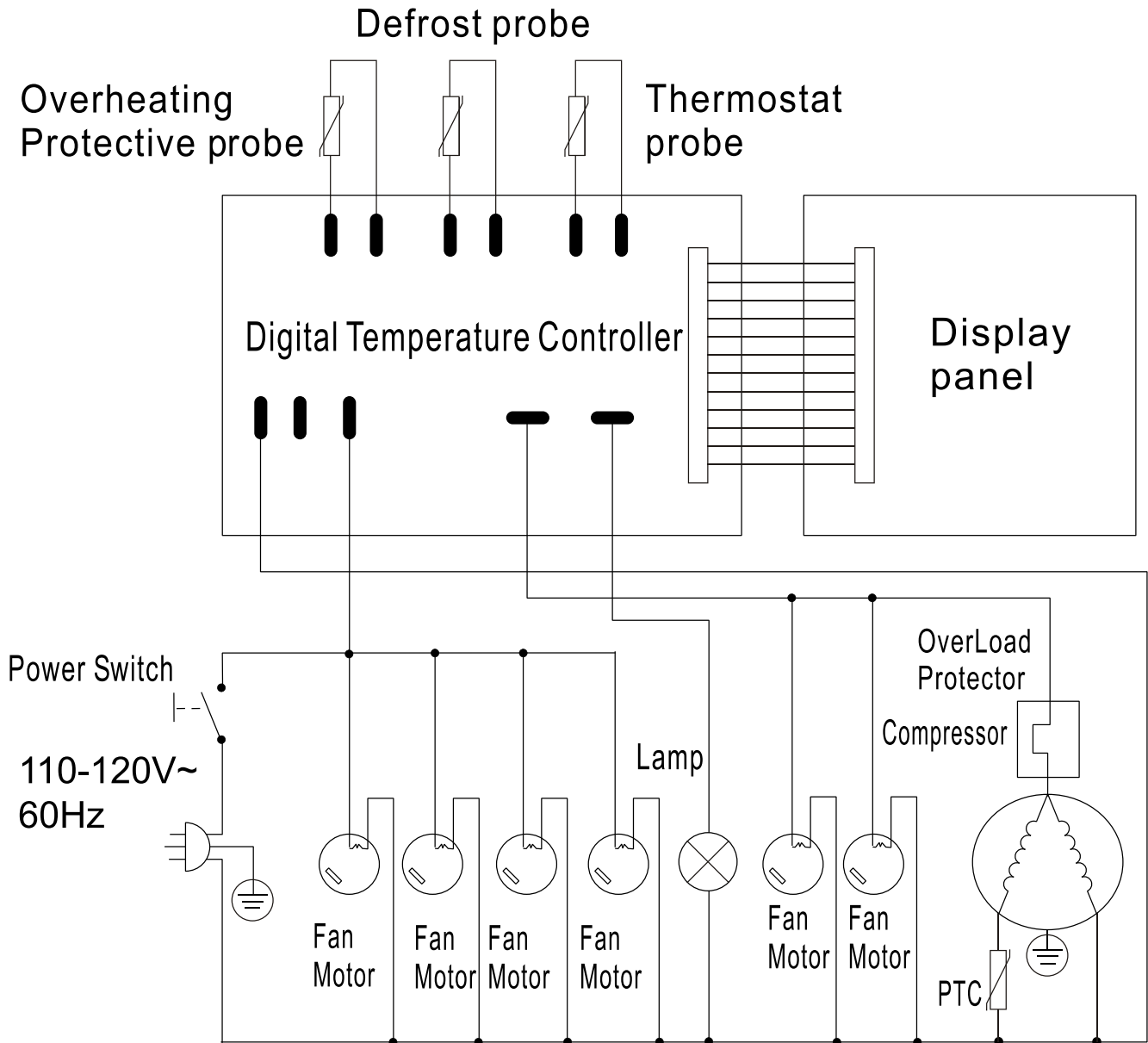
Model RS-CN-0460 48351



Electrical Schematics

Model RS-CN-0860 46471

Model RS-CN-0660 48352





Warranty Registration

Thank you for purchasing an Omcan product. To register your warranty for this product, complete the information below, tear off the card at the perforation and then send to the address specified below. You can also register online by visiting:

Merci d'avoir acheté un produit Omcan. Pour enregistrer votre garantie pour ce produit, complétez les informations ci-dessous, détachez la carte au niveau de la perforation, puis l'envoyer à l'adresse spécifiée ci-dessous. Vous pouvez également vous inscrire en ligne en visitant:

Gracias por comprar un producto Omcan usted. Para registrar su garantía para este producto, complete la información a continuación, cortar la tarjeta en la perforación y luego enviarlo a la dirección indicada a continuación. También puede registrarse en línea en:

<https://omcan.com/warranty-registration/>

For mailing in Canada

Pour postale au Canada

Por correo en Canadá

For mailing in the US

Pour diffusion aux États-Unis

Por correo en los EE.UU.

OMCAN

PRODUCT WARRANTY REGISTRATION

3115 Pepper Mill Court,
Mississauga, Ontario
Canada, L5L 4X5

OMCAN

PRODUCT WARRANTY REGISTRATION

4450 Witmer Industrial Estates, Unit 4,
Niagara Falls, New York
USA, 14305

or email to: service@omcan.com



Purchaser's Information

Name: _____

Address: _____

City: _____ Province or State: _____ Postal or Zip: _____

Country: _____

Dealer from which Purchased: _____

Dealer City: _____ Dealer Province or State: _____

Invoice: _____

Model Name: _____ Model Number: _____

Machine Description: _____

Date of Purchase (MM/DD/YYYY): _____

Would you like to extend the warranty? Yes No

Company Name: _____

Telephone: _____

Email Address: _____

Type of Company:

Restaurant Bakery Deli

Butcher Supermarket Caterer

Institution (specify): _____

Other (specify): _____

Serial Number: _____

Date of Installation (MM/DD/YYYY): _____

Thank you for choosing Omcan | Merci d'avoir choisi Omcan | Gracias por elegir Omcan



Since 1951 Omcan has grown to become a leading distributor of equipment and supplies to the North American food service industry. Our success over these many years can be attributed to our commitment to strengthen and develop new and existing relationships with our valued customers and manufacturers. Today with partners in North America, Europe, Asia and South America, we continually work to improve and grow the company. We strive to offer customers exceptional value through our qualified local sales and service representatives who provide convenient access to over 6,500 globally sourced products.

Depuis 1951 Omcan a grandi pour devenir un des "leaders" de la distribution des équipements et matériel pour l'industrie des services alimentaires en Amérique du Nord. Notre succès au cours de ces nombreuses années peut être attribué à notre engagement à renforcer et à développer de nouvelles et existantes relations avec nos clients et les fabricants de valeur. Aujourd'hui avec des partenaires en Amérique du Nord, Europe, Asie et Amérique du Sud, nous travaillons continuellement à améliorer et développer l'entreprise. Nous nous efforçons d'offrir à nos clients une valeur exceptionnelle grâce à nos ventes locales qualifiées et des représentants de service qui offrent un accès facile à plus de 6500 produits provenant du monde entier.

Desde 1951 Omcan ha crecido hasta convertirse en un líder en la distribución de equipos y suministros de alimentos en América del Norte industria de servicios. Nuestro éxito en estos años se puede atribuir a nuestro compromiso de fortalecer y desarrollar nuevas relaciones existentes con nuestros valiosos clientes y fabricantes. Hoy con socios de América del Norte, Europa, Asia y América del Sur, que trabajan continuamente para mejorar y crecer la empresa. Nos esforzamos por ofrecer a nuestros clientes valor excepcional a través de nuestro local de ventas y representantes de los servicios que proporcionan un fácil acceso a más de 6,500 productos con origen a nivel mundial.

