



# Refrigerated Showcase

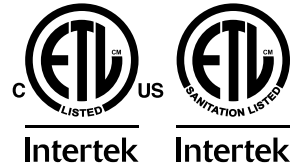
Model RS-CN-0252-5

Item 47424

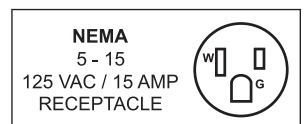
## Instruction Manual



*Revised - 07/05/2022*



Toll Free: 1-800-465-0234  
Fax: 905-607-0234  
Email: [service@omcan.com](mailto:service@omcan.com)  
[www.omcan.com](http://www.omcan.com)



# ***Table of Contents***

Model RS-CN-0252-5

---

<b>Section</b>	<b>Page</b>
Disclaimer -----	3
General Information -----	4 - 5
Safety and Warranty -----	5 - 7
Technical Specifications -----	8
Operation -----	8 - 9
Maintenance -----	9
Troubleshooting -----	9 - 10
Parts Breakdown -----	11 - 13
Electrical Schematics -----	14
Warranty Registration -----	15

***OMCAN IS NOT RESPONSIBLE FOR ANY DAMAGES DUE TO WATER LEAKS. WARRANTY FOR WATER LEAKS IS VOID IF THE AMBIENT ROOM TEMPERATURE EXCEEDS 75°F AND 55% RELATIVE HUMIDITY, AND THE APPLIANCE DRAIN IS NOT CONNECTED DIRECTLY TO A FLOOR DRAIN.***

# General Information

---

Omcan Manufacturing and Distributing Company Inc., Food Machinery of America, Inc. dba Omcan and Omcan Inc. are not responsible for any harm or injury caused due to any person's improper or negligent use of this equipment. The product shall only be operated by someone over the age of 18, of sound mind, and not under the influence of any drugs or alcohol, who has been trained in the correct operation of this machine, and is wearing authorized, proper safety clothing. Any modification to the machine voids any warranty, and may cause harm to individuals using the machine or in the vicinity of the machine while in operation.

## CHECK PACKAGE UPON ARRIVAL

Upon receipt of an Omcan shipment please inspect for external damage. If no damage is evident on the external packaging, open carton to ensure all ordered items are within the box, and there is no concealed damage to the machine. If the package has suffered rough handling, bumps or damage (visible or concealed), please note it on the bill of lading before accepting the delivery and contact Omcan within 24 hours, so we may initiate a claim with the carrier. A detailed report on the extent of the damage caused to the machine must be filled out within three days, from the delivery date shown in the shipping documents. Omcan has no recourse for damaged products that were shipped collect or third party.

**Before operating any equipment, always read and familiarize yourself with all operation and safety instructions.**

Omcan would like to thank you for purchasing this machine. It's of the utmost importance to save these instructions for future reference. Also save the original box and packaging for shipping the equipment if servicing or returning of the machine is required.

---

Omcan Fabrication et distribution Compañie Limité et Food Machinery d'Amérique, dba Omcan et Omcan Inc. ne sont pas responsables de tout dommage ou blessure causé du fait que toute personne ait utilisé cet équipement de façon irrégulière. Le produit ne doit être exploité que par quelqu'un de plus de 18 ans, saine d'esprit, et pas sous l'influence d'une drogue ou d'alcool, qui a été formé pour utiliser cette machine correctement, et est vêtu de vêtements de sécurité approprié. Toute modification de la machine annule toute garantie, et peut causer un préjudice à des personnes utilisant la machine ou des personnes à proximité de la machine pendant son fonctionnement.

## VÉRIFIEZ LE COLIS DÈS RÉCEPTION

Dès réception d'une expédition d'Omcan veuillez inspecter pour dommages externes. Si aucun dommage n'est visible sur l'emballage externe, ouvrez le carton afin de s'assurer que tous les éléments commandés sont dans la boîte, et il n'y a aucun dommage dissimulé à la machine. Si le colis n'a subi aucune mauvaises manipulations, de bosses ou de dommages (visible ou cachée), notez-le sur le bond de livraison avant d'accepter la livraison et contactez Omcan dans les 24 heures qui suivent, pour que nous puissions engager une réclamation auprès du transporteur. Un rapport détaillé sur l'étendue des dommages causés à la machine doit être rempli dans un délai de trois jours, à compter de la date de livraison indiquée dans les documents d'expédition. Omcan n'a aucun droit de recours pour les produits endommagés qui ont été expédiés ou cueilli par un tiers transporteur.



# General Information

---

Avant d'utiliser n'importe quel équipement, toujours lire et vous familiariser avec toutes les opérations et les consignes de sécurité.

Omcan voudrais vous remercier d'avoir choisi cette machine. Il est primordial de conserver ces instructions pour une référence ultérieure. Également conservez la boîte originale et l'emballage pour l'expédition de l'équipement si l'entretien ou le retour de la machine est nécessaire.

---

Omcan Empresa De Fabricacion Y Distribucion Inc. Y Maquinaria De Alimentos De America, Inc. dba Omcan y Omcan Inc. no son responsables de ningun daño o perjuicio causado por cualquier persona inadecuada o el uso descuidado de este equipo. El producto solo podra ser operado por una persona mayor de 18 años, en su sano juicio y no bajo alguna influencia de droga o alcohol, y que este ha sido entrenado en el correcto funcionamiento de esta máquina, y ésta usando ropa apropiada y autorizada. Cualquier modificación a la máquina anula la garantía y puede causar daños a las personas usando la máquina mientras esta en el funcionamiento.

## REVISE EL PAQUETE A SU LLEGADA

Tras la recepcion de un envio Omcan favor inspeccionar daños externos. Si no hay daños evidentes en el empaque exterior, Habra el carton para asegurarse que todos los articulos solicitados estén dentro de la caja y no encuentre daños ocultos en la máquina. Si el paquete ha sufrido un manejo de poco cuidado, golpes o daños (visible o oculto) por favor anote en la factura antes de aceptar la entrega y contacte Omcan dentro de las 24 horas, de modo que podamos iniciar una reclamación con la compañía. Un informe detallado sobre los daños causados a la máquina debe ser llenado en el plazo de tres días, desde la fecha de entrega que se muestra en los documentos de envío. Omcan no tiene ningun recurso por productos dañados que se enviaron a recoger por terceros.

Antes de utilizar cualquier equipo, siempre lea y familiarizarse con todas las instrucciones de funcionamiento y seguridad.

Omcan le gustaría darle las gracias por la compra de esta máquina. Es de la mayor importancia para salvar estas instrucciones para futuras consultas. Además, guarda la caja original y el embalaje para el envío del equipo si servicio técnico o devolución de la máquina que se requiere.

# Safety and Warranty

---

**WARNING:** Refrigerant used is R290, please protect against fire.

## HANDLE WITH CARE

Unplug from the wall socket first. Never tilt it over 45 degree during handling.

## DRY PLACE

Always place the refrigerator in a dry place.

# ***Safety and Warranty***

---

## **SUFFICIENT SPACE**

The distance from both sides and back of refrigerator to wall or other substance must be less than 10cm. The refrigeration capability might be decreased if its surround space is too small to circulate air.

## **GOOD VENTILATION**

Always place the refrigerator at a place with good ventilation. For the first time use, wait for 2 hours after handling and then plug into the wall socket and start it.

## **FAR FROM HEAT SOURCES**

Never place the refrigerator directly under sunlight. Never place it nearby any heat source or heater to prevent it from reducing refrigeration capability.

## **NO HEAVY LOADS**

Never put any heavy objects on the top of the refrigerator.

## **NO ALTERATIONS**

Never make holes in the refrigerator. Never install other matter on the refrigerator.

## **STABLE LOCATION**

To avoid unexpected noise and vibration, unpack and place the refrigerator on a flat and solid surface.

## **EXCLUSIVE POWER SOCKET**

The power supply should be 110V, 60Hz single phase AC with exclusive single phase three pin receptacle. Do not share the receptacle with other appliances.

## **PROTECT CABLES**

Never break or damage the cables otherwise electrocution and fire might be resulted.

## **NO SPRAYING**

Never spray the refrigerator surface with water or other liquid otherwise electrocution might be resulted.

## **KEEP AWAY FROM FLAMMABLES AND EXPLOSIVE**

Never put any flammable or explosive inside the refrigerator such as ether, gasoline, alcohol, adhesive and explosive items. Never put these products nearby the refrigerator.

## **DO NOT PAINT OR COAT**

To spray flammables such as paint or coating nearby the refrigerator is not allowed, otherwise fire might be resulted.

## **AFTER POWER SURGE**

After a power surge or unplugging the refrigerator, always wait at least 5 minutes and then you may plug the refrigerator and start it again.

## **NOT FOR STORING MEDICINE**

Medicine is not meant to be stored in this refrigerator.

# Safety and Warranty

---

## CAUTIONS

- Shortening the door open time and reducing open frequency is necessary to keep a cold temperature inside the refrigerator.
- Never block the air suction and outlet. Do not overload with food as it will influence the cooling effect.
- Adjust the rack height for proper food storage.
- Allow hot food to cool down to room temperature before you put it into the refrigerator.
- Only qualified personnel should perform repairs.
- Never touch the compressor to avoid being burned.
- This appliance is not intended for use by persons (including children) with reduced physical, sensory or mental capabilities, or lack of experience and knowledge, unless they have been given supervision or instruction concerning use of the appliance by a person responsible for their safety.
- During normal operation, the emission noise level does not exceed 70dB(A).
- WARNING: Keep well ventilated and clear of obstructions.
- WARNING: Do not use mechanical devices of other means to accelerate the defrosting process, other than those recommended by the manufacturer.
- WARNING: Do not damage the refrigerant circuit.
- WARNING: Do not use electrical appliances inside the food storage compartments of the appliance, unless they are of the type recommended by the manufacturer.

**RESIDENTIAL USERS: Vendor assumes no liability for parts or labor coverage for component failure or other damages resulting from installation in non-commercial or residential applications. The right is reserved to deny shipment for residential usage; if this occurs, you will be notified as soon as possible.**

## 1 YEARS PARTS AND LABOUR WARRANTY

**Within the warranty period, contact Omcan Inc. at 1-800-465-0234 to schedule an Omcan authorized service technician to repair the equipment locally.**

**Unauthorized maintenance will void the warranty. Warranty covers electrical and part failures, not improper use.**

**Please see <https://omcan.com/disclaimer> for complete info.**

## WARNING:

The packaging components are classified as normal solid urban waste and can therefore be disposed of without difficulty.

**In any case, for suitable recycling, we suggest disposing of the products separately (differentiated waste) according to the current norms.**

**DO NOT DISCARD ANY PACKAGING MATERIALS IN THE ENVIRONMENT!**

# Technical Specifications

<b>Model</b>	<b>RS-CN-0252-5</b>
<b>Electrical</b>	110V / 60Hz / 1
<b>Power</b>	460W
<b>Rated Current</b>	5A
<b>Capacity</b>	252 L / 8.9 cu.ft.
<b>Shelf Capacity</b>	55.1 lbs. / 25 kgs.
<b>Rack Size</b>	13.6" x 56.9" / 345 x 1444mm
	14.4" x 57.5" / 367 x 1461mm
	12.6" x 57.5" / 320 x 1461mm
<b>Max Ambient Temperature Rating</b>	30°C / 86°F
<b>Temperature Range</b>	0 - 12°C / 32 - 53.6°F
<b>Weight</b>	255.7 lbs. / 116 kgs.
<b>Packaging Weight</b>	297.6 lbs. / 135 kgs.
<b>Dimensions</b>	60" x 22.4" x 27" / 1524 x 568 x 686mm
<b>Packaging Dimensions</b>	62.8" x 24.7" x 34.4" / 1595 x 627 x 875mm
<b>Item Number</b>	47424

## Operation

### BEFORE USE:

Plug the refrigerator in a 110V exclusive socket. Once the refrigerator starts running, put one hand on the air suction to confirm it is operating. Then you may put food inside the unit.

### DIGITAL TEMPERATURE CONTROLLER

It is a mini-sized and integrated intelligent controller and applicable to the compressor of one HP. The main functions are: temperature display, temperature control, manual/automatic defrost by turning off, illumination control, value storing, self testing, parameter locking.

### FRONT PANEL OPERATION

1. Set temperature.  
Press the SET button, the set temperature is displayed. Press the UP or DOWN button to modify and store the displayed value. Press the SET button to exit the adjustment and display the cold-room temperature.
2. If no more buttons are pressed within 10 seconds, the cold-room temperature will be displayed.
3. Illumination: Press the LIGHT button, the light turns on; Press again, it turns off.  
Manual start/stop defrost: Press the LIGHT button and hold for 6 seconds to defrost or stop defrost.



# Operation

---

4. Refrigerant LED: During refrigeration, the LED is on; when the cold room temp. is constant, the LED is off; During the delay start, the LED flashes.
5. Defrost LED: during defrosting, the LED is on; when it stops defrosting, the LED is off, during the delay display of defrost, the LED flashes.
6. Digital controller reset.  
When display shows “Disorder”, press the DOWN button for 2s until the buzzer rings, quickly press the UP button for 6s until the buzzer rings again, the display will flash for 3s and it restores factory settings.

# Maintenance

---

1. Notice.  
Keeping the refrigerator clean and periodical maintenance is necessary. Always unplug from the socket before maintenance. Never use if the plug is damaged or is loose in the socket to prevent from electric shock or short circuit. Never spray the refrigerator. Never use alkali detergent, soap, gasoline, acetone or brush.
2. Clean outside.  
Dip a soft cloth in neutral detergent (tableware detergent) to clean the outside of the refrigerator and then wipe it with dry soft cloth.
3. Clean inside.  
Take the rack out for cleaning with water. Use a soft cloth to wipe the box.
4. Shutting down the refrigerator for a long time.  
Take all food out and unplug from the wall socket. Clean both inside and outside of the refrigerator thoroughly and open the door to allow for sufficient drying. The glass breaks easily. Keep the glass far from children.
5. Replacement of lamp in the light box.  
If the LED lamp is damaged, it must be replaced by the manufacturer, or its service agent.

# Troubleshooting

---

Problem	Cause and Remedy
No refrigeration.	Is the plug fully in the socket?
	Is the fuse broken?
	Is there no power in the outlet?

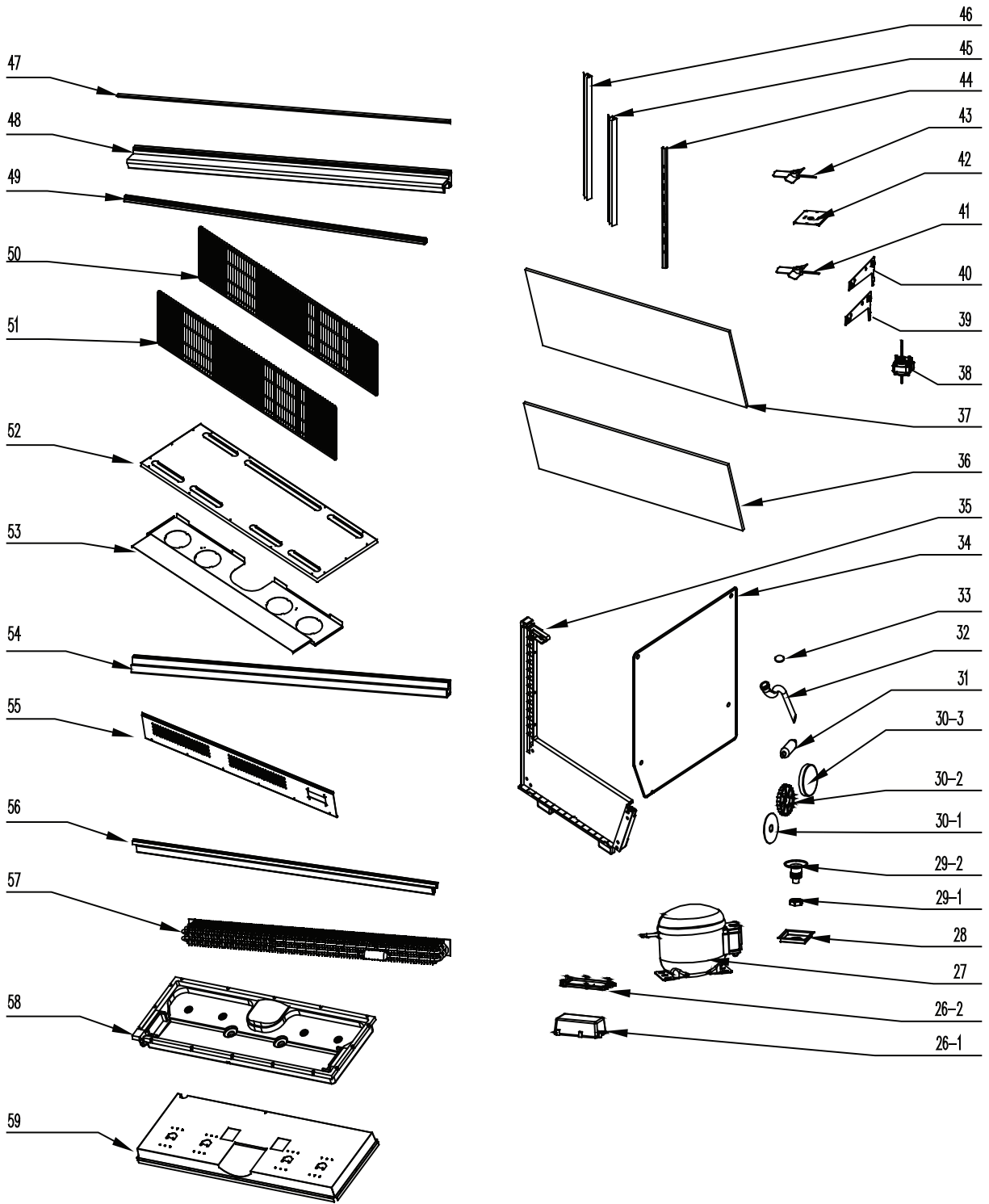
# Troubleshooting

---

Unsatisfactory refrigeration.	Is it under direct sunlight?
	Is there any heat source nearby?
	Is the surrounding ventilation bad?
	Does the door close properly?
	Is the door open for long periods of time?
	Is the door gasket deformed or damaged?
	Is the food congested or is there too much food?
	Does food block the air suction or outlet?
	Regulate the temperature controller.
Too noisy.	The refrigerator is not level.
	The refrigerator is making contact with a wall or other matter.
	There is a loose part in the refrigerator.
Contact Omcan for help if simple trouble shooting does not solve the problems.	

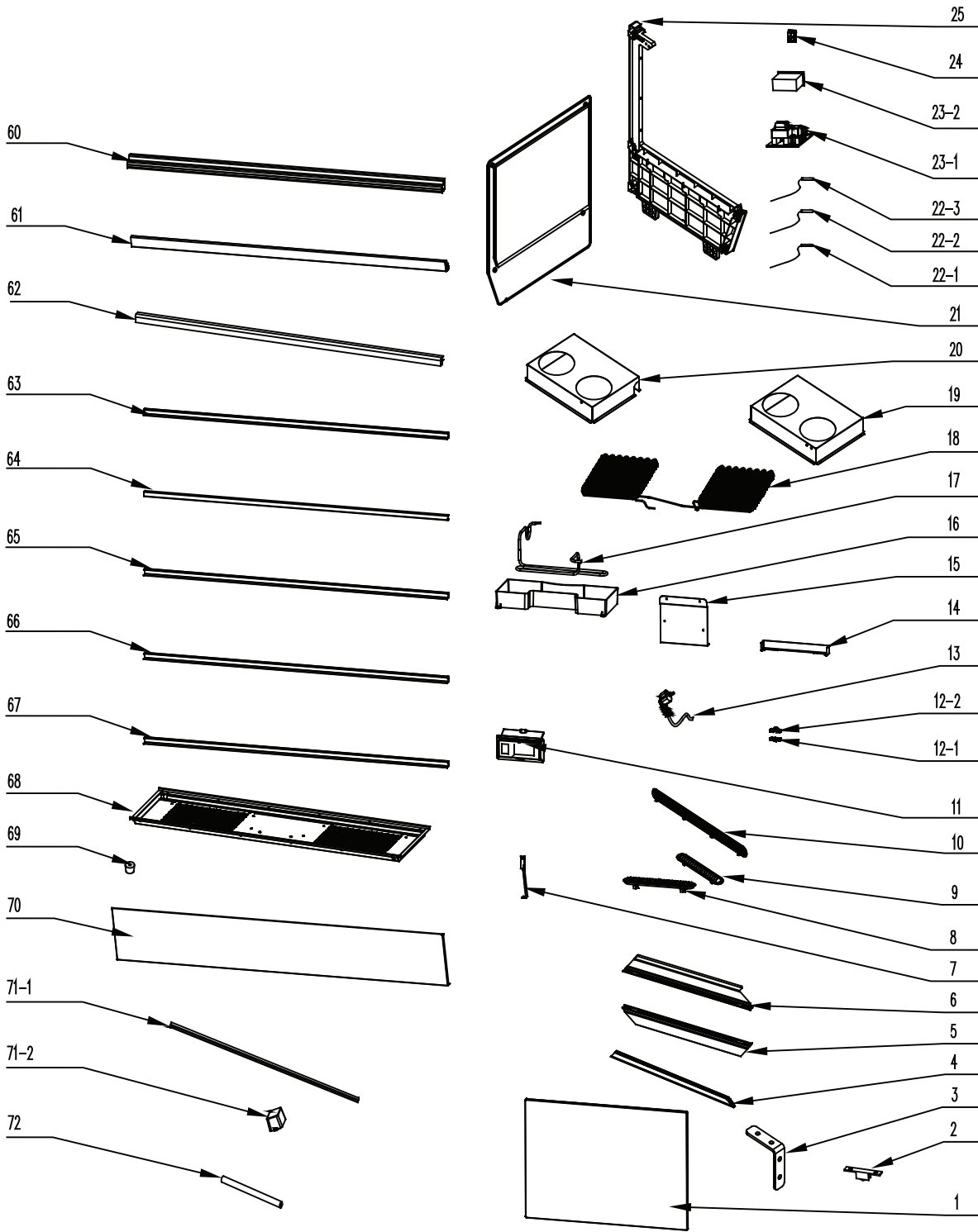
# Parts Breakdown

Model RS-CN-0252-5 47424



# Parts Breakdown

Model RS-CN-0252-5 47424



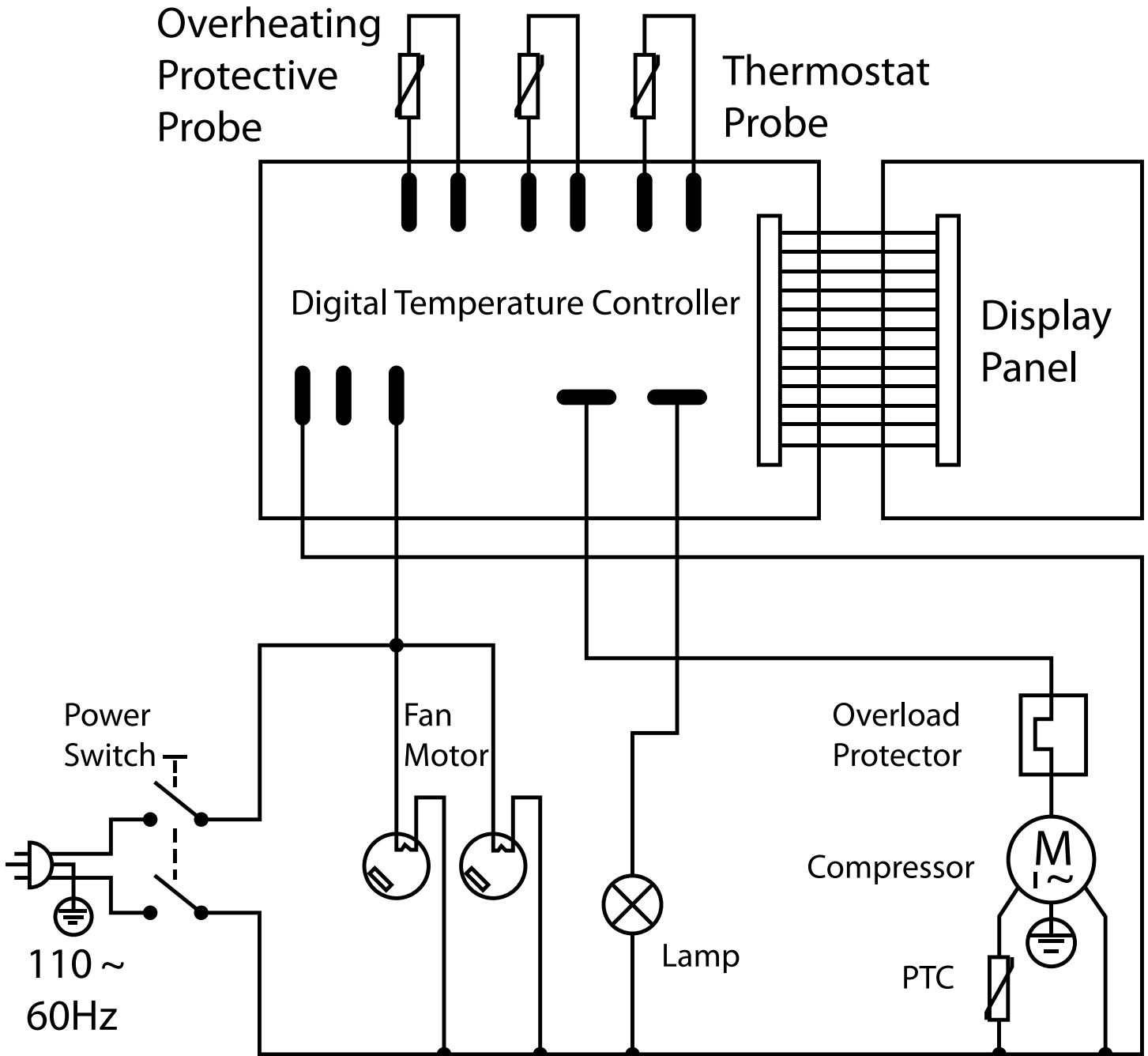
# Parts Breakdown

## Model RS-CN-0252-5 47424

Item No.	Description	Position	Item No.	Description	Position	Item No.	Description	Position
AK104	Door Glass for 47424	1	60119	Switch for 47424	24	AK120	Decorative Board for 47424	47
71639	Door Wheel for 47424	2	AH717	Left Panel for 47424	25	AK121	Top Panel for 47424	48
AK105	Door Frame Square Connector for 47424	3	AA050	Control Box for 47424	26-1	AK122	Top Insert Board for 47424	49
AK106	Upper and Lower Door Frame for 47424	4	AA051	Control Box Cover for 47424	26-2	AK123	Shelf 1 for 47424	50
AK107	Left and Right Door Frame for 47424	5	60534	Compressor for 47424	27	AK124	Shelf 2 for 47424	51
AK108	Door Frame with Handle for 47424	6	AA083	Backing Plate for 47424	28	AK125	Vent Tray for 47424	52
AK109	Front Middle Support for 47424	7	71518	Nut for 47424	29-1	AK126	Evaporator Protect Board for 47424	53
30776	Cover for Air Outlet for 47424	8	AA084	Draining Pipe Joint for 47424	29-2	AK127	Rear Middle Pillar for 47424	54
AK110	Cover for Air Outlet for 47424	9	79314	Decoration Nut Gasket for 47424	30-1	AK128	Rear Base Panel for 47424	55
30777	Cover for Air Suction for 47424	10	79313	Nut Gasket for 47424	30-2	AK129	Front Middle Pillar for 47424	56
68298	Switch Base for 47424	11	79312	Nut Decoration for 47424	30-3	AK130	Evaporator for 47424	57
61246	Wire Clip Holder for 47424	12-1	30624	Dry Filter for 47424	31	AK131	Foam Base of Evaporator for 47424	58
61245	Wire Clip Cover for 47424	12-2	30744	Water Pipe for 47424	32	AK132	Plastic Base for Pillar for 47424	59
AA062	Power Cord for 47424	13	68368	Snap Ring for 47424	33	AK133	Rear Bottom Pillar for 47424	60
AK111	Condenser Limiting Plate for 47424	14	AH721	Right Glass for 47424	34	AK134	Front Bottom Pillar for 47424	61
AA074	Fixed Board of PCB Box for 47424	15	AK115	Right Panel for 47424	35	AK135	Front Top Pillar for 47424	62
60948	Water Receiver for 47424	16	AK116	Curved Front Glass for 47424	36	AK136	Rear Bottom Pillar Lining for 47424	63
AA075	Tray of Heater for 47424	17	AK117	Curved Roof Glass for 47424	37	AK137	Front Bottom Pillar Lining for 47424	64
AK112	Condensator for 47424	18	AK118	Motor Fan for 47424	38	AK138	Rear Middle Pillar Lining for 47424	65
AK113	Right Condensator Cushion for 47424	19	67313	Bottom Shelf Bracket Left for 47424	39	AK139	Upper Plate Lining for 47424	66
AK114	Left Condensator Cushion for 47424	20	67314	Bottom Shelf Bracket Right for 47424	40	AK140	Front Middle Pillar Lining for 47424	67
AH716	Left Glass for 47424	21	AA087	Fan Blade for 47424	41	AK141	Bottom Base of Compressor for 47424	68
60666	Temperature Probe for 47424	22-1	AK119	Fan Motor Stand for 47424	42	60211	Rubber Feet for 47424	69
AA049	Defrost Probe for 47424	22-2	AH740	Fan Blade for 47424	43	AK142	Front Frame for 47424	70
AH718	High Temperature Sensor for 47424	22-3	30751	Pillar for Bracket for 47424	44	AK143	LED Light for 47424	71-1
AA052	Main Circuit Board for 47424	23-1	AH726	Right Seal for 47424	45	60595	LED Transformer for 47424	71-2
AA082	Digital Controller for 47424	23-2	AH725	Left Seal for 47424	46	30742	Accumulator for 47424	72

# Electrical Schematics

Model RS-CN-0252-5 47424





# Warranty Registration

Thank you for purchasing an Omcan product. To register your warranty for this product, complete the information below, tear off the card at the perforation and then send to the address specified below. You can also register online by visiting:

Merci d'avoir acheté un produit Omcan. Pour enregistrer votre garantie pour ce produit, complétez les informations ci-dessous, détachez la carte au niveau de la perforation, puis l'envoyer à l'adresse spécifiée ci-dessous. Vous pouvez également vous inscrire en ligne en visitant:

Gracias por comprar un producto Omcan usted. Para registrar su garantía para este producto, complete la información a continuación, cortar la tarjeta en la perforación y luego enviarlo a la dirección indicada a continuación. También puede registrarse en línea en:

<https://omcan.com/warranty-registration/>

For mailing in Canada

Pour postale au Canada

Por correo en Canadá

**OMCAN**

PRODUCT WARRANTY REGISTRATION

3115 Pepper Mill Court,

Mississauga, Ontario

Canada, L5L 4X5

For mailing in the US

Pour diffusion aux États-Unis

Por correo en los EE.UU.

**OMCAN**

PRODUCT WARRANTY REGISTRATION

4450 Witmer Industrial Estates, Unit 4,

Niagara Falls, New York

USA, 14305

*or email to: [service@omcan.com](mailto:service@omcan.com)*



Purchaser's Information

Name: \_\_\_\_\_

Address: \_\_\_\_\_

City: \_\_\_\_\_ Province or State: \_\_\_\_\_ Postal or Zip: \_\_\_\_\_

Country: \_\_\_\_\_

Dealer from which Purchased: \_\_\_\_\_

Dealer City: \_\_\_\_\_ Dealer Province or State: \_\_\_\_\_

Invoice: \_\_\_\_\_

Model Name: \_\_\_\_\_ Model Number: \_\_\_\_\_

Machine Description: \_\_\_\_\_

Date of Purchase (MM/DD/YYYY): \_\_\_\_\_

Would you like to extend the warranty?  Yes  No

Company Name: \_\_\_\_\_

Telephone: \_\_\_\_\_

Email Address: \_\_\_\_\_

Type of Company:

Restaurant  Bakery  Deli

Butcher  Supermarket  Caterer

Institution (*specify*): \_\_\_\_\_

Other (*specify*): \_\_\_\_\_

Serial Number: \_\_\_\_\_

Date of Installation (MM/DD/YYYY): \_\_\_\_\_

**Thank you for choosing Omcan | Merci d'avoir choisi Omcan | Gracias por elegir Omcan**



Since 1951 Omcan has grown to become a leading distributor of equipment and supplies to the North American food service industry. Our success over these many years can be attributed to our commitment to strengthen and develop new and existing relationships with our valued customers and manufacturers. Today with partners in North America, Europe, Asia and South America, we continually work to improve and grow the company. We strive to offer customers exceptional value through our qualified local sales and service representatives who provide convenient access to over 6,500 globally sourced products.

---

Depuis 1951 Omcan a grandi pour devenir un des “leaders” de la distribution des équipements et matériel pour l’industrie des services alimentaires en Amérique du Nord. Notre succès au cours de ces nombreuses années peut être attribué à notre engagement à renforcer et à développer de nouvelles et existantes relations avec nos clients et les fabricants de valeur. Aujourd’hui avec des partenaires en Amérique du Nord, Europe, Asie et Amérique du Sud, nous travaillons continuellement à améliorer et développer l’entreprise. Nous nous efforçons d’offrir à nos clients une valeur exceptionnelle grâce à nos ventes locales qualifiées et des représentants de service qui offrent un accès facile à plus de 6500 produits provenant du monde entier.

---

Desde 1951 Omcan ha crecido hasta convertirse en un líder en la distribución de equipos y suministros de alimentos en América del Norte industria de servicios. Nuestro éxito en estos años se puede atribuir a nuestro compromiso de fortalecer y desarrollar nuevas relaciones existentes con nuestros valiosos clientes y fabricantes. Hoy con socios de América del Norte, Europa, Asia y América del Sur, que trabajan continuamente para mejorar y crecer la empresa. Nos esforzamos por ofrecer a nuestros clientes valor excepcional a través de nuestro local de ventas y representantes de los servicios que proporcionan un fácil acceso a más de 6,500 productos con origen a nivel mundial.

