



Ice Shaver
Model IC-CN-1450-E
Item 47468
Instruction Manual



Revised - 11/02/2022



Toll Free: 1-800-465-0234
Fax: 905-607-0234
Email: service@omcan.com
www.omcan.com

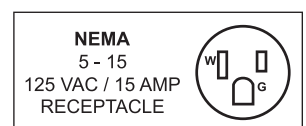


Table of Contents

Model IC-CN-1450-E

Section	Page
General Information -----	3 - 4
Safety and Warranty -----	4 - 6
Technical Specifications -----	6
Installation -----	6 - 7
Operation -----	7 - 8
Maintenance -----	8
Troubleshooting -----	8
Parts Breakdown -----	9 - 10
Electrical Schematics -----	11
Notes -----	12 - 14
Warranty Registration -----	15



General Information

Omcan Manufacturing and Distributing Company Inc., Food Machinery of America, Inc. dba Omcan and Omcan Inc. are not responsible for any harm or injury caused due to any person's improper or negligent use of this equipment. The product shall only be operated by someone over the age of 18, of sound mind, and not under the influence of any drugs or alcohol, who has been trained in the correct operation of this machine, and is wearing authorized, proper safety clothing. Any modification to the machine voids any warranty, and may cause harm to individuals using the machine or in the vicinity of the machine while in operation.

CHECK PACKAGE UPON ARRIVAL

Upon receipt of an Omcan shipment please inspect for external damage. If no damage is evident on the external packaging, open carton to ensure all ordered items are within the box, and there is no concealed damage to the machine. If the package has suffered rough handling, bumps or damage (visible or concealed), please note it on the bill of lading before accepting the delivery and contact Omcan within 24 hours, so we may initiate a claim with the carrier. A detailed report on the extent of the damage caused to the machine must be filled out within three days, from the delivery date shown in the shipping documents. Omcan has no recourse for damaged products that were shipped collect or third party.

Before operating any equipment, always read and familiarize yourself with all operation and safety instructions.

Omcan would like to thank you for purchasing this machine. It's of the utmost importance to save these instructions for future reference. Also save the original box and packaging for shipping the equipment if servicing or returning of the machine is required.

Omcan Fabrication et distribution Compañie Limité et Food Machinery d'Amérique, dba Omcan et Omcan Inc. ne sont pas responsables de tout dommage ou blessure causé du fait que toute personne ait utilisé cet équipement de façon irrégulière. Le produit ne doit être exploité que par quelqu'un de plus de 18 ans, saine d'esprit, et pas sous l'influence d'une drogue ou d'alcool, qui a été formé pour utiliser cette machine correctement, et est vêtu de vêtements de sécurité approprié. Toute modification de la machine annule toute garantie, et peut causer un préjudice à des personnes utilisant la machine ou des personnes à proximité de la machine pendant son fonctionnement.

VÉRIFIEZ LE COLIS DÈS RÉCEPTION

Dès réception d'une expédition d'Omcan veuillez inspecter pour dommages externes. Si aucun dommage n'est visible sur l'emballage externe, ouvrez le carton afin de s'assurer que tous les éléments commandés sont dans la boîte, et il n'y a aucun dommage dissimulé à la machine. Si le colis n'a subi aucune mauvaises manipulations, de bosses ou de dommages (visible ou cachée), notez-le sur le bond de livraison avant d'accepter la livraison et contactez Omcan dans les 24 heures qui suivent, pour que nous puissions engager une réclamation auprès du transporteur. Un rapport détaillé sur l'étendue des dommages causés à la machine doit être rempli dans un délai de trois jours, à compter de la date de livraison indiquée dans les documents d'expédition. Omcan n'a aucun droit de recours pour les produits endommagés qui ont été expédiés ou cueilli par un tiers transporteur.

General Information

Avant d'utiliser n'importe quel équipement, toujours lire et vous familiariser avec toutes les opérations et les consignes de sécurité.

Omcan voudrais vous remercier d'avoir choisi cette machine. Il est primordial de conserver ces instructions pour une référence ultérieure. Également conservez la boîte originale et l'emballage pour l'expédition de l'équipement si l'entretien ou le retour de la machine est nécessaire.

Omcan Empresa De Fabricacion Y Distribucion Inc. Y Maquinaria De Alimentos De America, Inc. dba Omcan y Omcan Inc. no son responsables de ningun daño o perjuicio causado por cualquier persona inadecuada o el uso descuidado de este equipo. El producto solo podra ser operado por una persona mayor de 18 años, en su sano juicio y no bajo alguna influencia de droga o alcohol, y que este ha sido entrenado en el correcto funcionamiento de esta máquina, y ésta usando ropa apropiada y autorizada. Cualquier modificación a la máquina anula la garantía y puede causar daños a las personas usando la máquina mientras esta en el funcionamiento.

REVISE EL PAQUETE A SU LLEGADA

Tras la recepcion de un envio Omcan favor inspeccionar daños externos. Si no hay daños evidentes en el empaque exterior, Habra el carton para asegurarse que todos los articulos solicitados estén dentro de la caja y no encuentre daños ocultos en la máquina. Si el paquete ha sufrido un manejo de poco cuidado, golpes o daños (visible o oculto) por favor anote en la factura antes de aceptar la entrega y contacte Omcan dentro de las 24 horas, de modo que podamos iniciar una reclamación con la compañía. Un informe detallado sobre los daños causados a la máquina debe ser llenado en el plazo de tres días, desde la fecha de entrega que se muestra en los documentos de envío. Omcan no tiene ningun recurso por productos dañados que se enviaron a recoger por terceros.

Antes de utilizar cualquier equipo, siempre lea y familiarizarse con todas las instrucciones de funcionamiento y seguridad.

Omcan le gustaría darle las gracias por la compra de esta máquina. Es de la mayor importancia para salvar estas instrucciones para futuras consultas. Además, guarda la caja original y el embalaje para el envío del equipo si servicio técnico o devolución de la máquina que se requiere.

Safety and Warranty

When using electrical appliances, basic safety precautions should be followed to reduce the risk of fire, electric shock and injury to persons or property. Read all instructions before operating the machine for the first time.

1. To prevent personal injury or properly damage read and follow all instructions and warnings.
2. When using electrical appliances, basic safety precautions should always be followed.
3. To protect against fire, electric shock, and injury to persons, do not immerse cord, plugs, or other electric parts in water or other liquids.

Safety and Warranty

4. Close supervision is necessary when this appliance is used by or near children.
5. Always unplug from socket when not in use and before cleaning.
6. Do not operate any appliance with a damaged cord or plug, after the appliance malfunctions, or has been damaged in any manner.
7. The use of accessory attachments is not recommended, may cause fire, electric shock, or injury.
8. Do not use the appliance outdoors.
9. Do not let cord hang over the edge of a table or counter, or touch hot surface.
10. Do not place on or near a hot gas or electric burner, or in a heated oven.
11. Always remove from wall socket by pulling on plug, never pull on cord to avoid rise of fraying or splitting cord.
12. Do not use appliance in any way other than its intended use. Do not attempt to repair this appliance yourself.
13. A short power-supply cord is provided to reduce risks of becoming entangled in or tripping over a longer cord.
14. Do not use an socket or extension cord if the plug fits loosely or if the outlet or extension cord feels hot.
15. Avoid contact with moving parts.
16. Blade is sharp, use extreme caution during assembly, while operating, disassembly and cleaning.
17. Do not use if blade is broken, cracked or loose.
18. Do not leave appliance unattended while it is operating.
19. Do not run this appliance continuously for more than 5 minutes as overheating may occur. Allow motor to cool down before repeat usage.
20. Do not run machine without ice in the hopper as damage to appliance may occur.
21. Never place fingers or utensils into the feed or discharge areas to reduce the risk of severe injury to persons or damage to the crusher.
22. Children should be supervised to ensure that they do not play with the appliance.
23. This appliance is not intended for use by persons (including children) with reduced physical, sensory or mental capabilities, or lack of experience and knowledge, unless they have been given supervision or instruction concerning use of the appliance by a person responsible for their safety.
24. The ice crusher is commercial machine which is intended to be used in staff kitchen areas in shops, offices and other working environments.
25. Warning: Don't use your ice crusher outdoors. Avoid direct sunlight and make sure that there is at least 15cm of space between the back and sides of your unit and the wall.
26. Do not tip the machine over.
27. The blade must be replaced by original blade.

NOTE: strongly recommend to repair the machine by professional technician.

Warning: The blade is very sharp, operate with care.

RESIDENTIAL USERS: Vendor assumes no liability for parts or labor coverage for component failure or other damages resulting from installation in non-commercial or residential applications. The right is reserved to deny shipment for residential usage; if this occurs, you will be notified as soon as possible.

1 YEAR PARTS AND LABOUR BENCH WARRANTY

Safety and Warranty

Within the warranty period, contact Omcan Inc. At 1-800-465-0234 to schedule a drop off to either an Omcan authorized service depot in the area, or to an Omcan Service warehouse to repair the equipment.

Unauthorized maintenance will void the warranty. Warranty covers electrical and part failures, not improper use.

Please see <https://omcan.com/disclaimer> for complete info.

WARNING:

The packaging components are classified as normal solid urban waste and can therefore be disposed of without difficulty.

In any case, for suitable recycling, we suggest disposing of the products separately (differentiated waste) according to the current norms.

DO NOT DISCARD ANY PACKAGING MATERIALS IN THE ENVIRONMENT!

Technical Specifications

Model	IC-CN-1450-E
Ice Crushing Capacity per Hour	176.4 lbs. / 80 kgs.
Electrical	110V / 60Hz / 1
Power	300 W / 0.4 HP
Number of Blades	2
Rotate Speed	1450 RPM
Dimensions	8.3" x 15.7" x 11.8" / 210 x 400 x 300mm
Packaging Dimensions	17.7" x 16.7" x 25.2" / 450 x 425 x 640mm
Item Number	47468

Installation

UNPACK THE MACHINE

Remove all exterior and interior packaging materials. Check that the ice tray and instruction manual are included. If any parts are missing, please contact our customer service.

Installation

Warning: Keep children away from the foam and other package materials, which is dangerous.

1. Find a location for your ice crusher where it's protected from direct sunlight and other sources of heat (i.e. stove, furnace, radiator). Place the ice crusher on a level surface. Make sure that there is at least 15cm of space between the back and sides of your ice crusher and the wall. Don't place anything on your ice crusher.
2. The appliance must be positioned where the plug is accessible.

NOTE: Improper installation may cause injury to people or objects.

1. The socket must be grounded.
2. The fuse on the PCB must be >10A.
3. If the power cord need to be changed, it must be changed by a certified technician.
4. Voltage fluctuation can't exceed $\pm 10\%$ than the rated voltage, or a voltage stabilizer is needed.

Operation

Clean the interior with lukewarm water and a soft cloth, the blade is very SHARP, operate with care. Don't pour water directly in the hopper to clean which will damage the motor. Unplug the ice crusher before cleaning.

The use of any appliance must follow basic guidelines, in particular:

- High humidity environment will increase the risk of short circuit or electric shock. If in doubt, cut off the power of the ice crusher.
- Please do not directly pull down the power cord to turn off the machine, turn off the machine by the switch.
- The ice crusher cannot be used by children without adult supervision.

OPERATION

- The ice crusher is only used to crush ice, it can't be used for other purposes.
 - Operate the machine by following the steps as below.
1. Lift the hopper lid's handle before plugging in. Make sure your socket is suitable for the ice crusher and the ground wire is reliable. The machine operates 110V and 120V. Place the ice tray under the outlet to catch the crushed ice.
 2. Pour ice cubes in hopper. Do not allow ice cubes to protrude from the hopper's rim.
 3. Flip power switch on.
 4. Use constant pressure to press the ice cubes into the hopper with the lid's handle for the blade to begin crushing ice. Lift the hopper lid once the ice cubes are finished.
 5. Turn off the switch and unplug the ice crusher.
 6. Wipe the ice crusher dry for your next use to prevent any contamination during storage. Store in a dry place.

Operation

PREPARING THE ICE CRUSHER FOR LONG-TERM STORAGE

- Turn off the machine, unplug the power cord, wipe off the water on the power cord, and gather the power cord up.
- Wipe the surface of the machine and the outer surface of the hopper, and open the handle upwards, which is conducive to the internal moisture distribution.
- Keep the machine in a safe place and keep it out of reach of children.

Maintenance

CLEANING OF INTERNAL AND EXTERNAL PARTS

Note: Unplug the power plug before performing any cleaning or maintenance procedures. Do not use alcohol to clean the ice crusher, as this may cause plastic parts to crack.

EXTERIOR

Use a clean, soft cloth to wipe the outside of the ice machine at least once a week, and then use a damp cloth moistened with a neutral detergent to remove grease or other impurities.

ICE TRAY (AFTER EACH USE)

Immerse the ice tray in a mixture of neutral detergent and water for at least 3 minutes, then rinse with water and dry.

HOPPER (AFTER EACH USE)

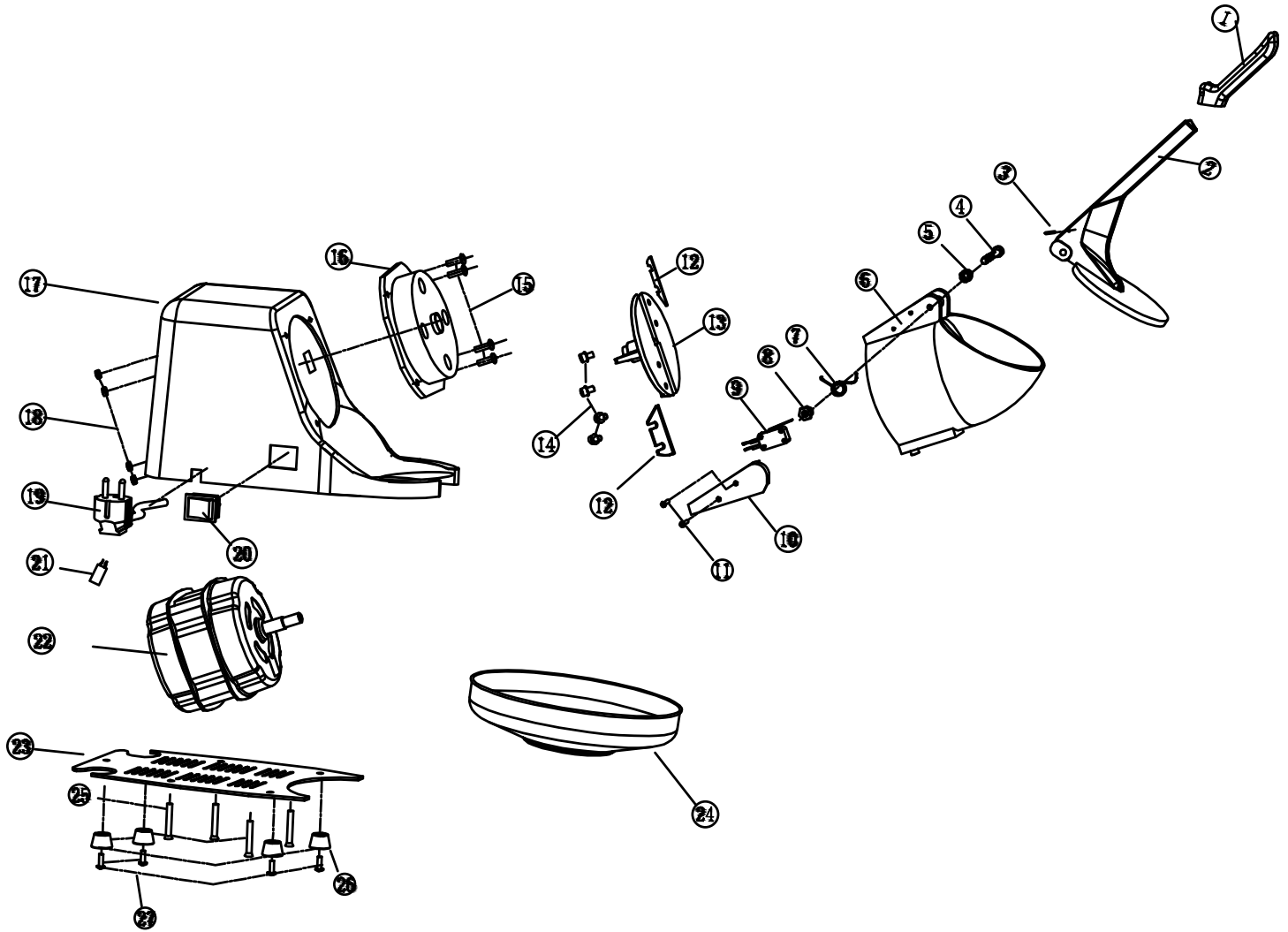
Open the handle, allow it to dry naturally, and then close it after drying. There is a sharp blade inside, operate with care.

Troubleshooting

Issues	Check items	Possible causes	Solutions
Does not work.	Power cord.	Did not plug in or damaged.	Plug in or replace the power cord.
	Socket.	Socket is out of shape.	Change to another socket.
	Motor.	Motor burnt.	Replace the motor.
	Power supply.	Power switch damaged.	Replace the switch.
		Low voltage or no power.	Contact power supply department.
Micro switch.	Micro switch damaged.	Replace the micro switch.	

Parts Breakdown

Model IC-CN-1450-E 47468



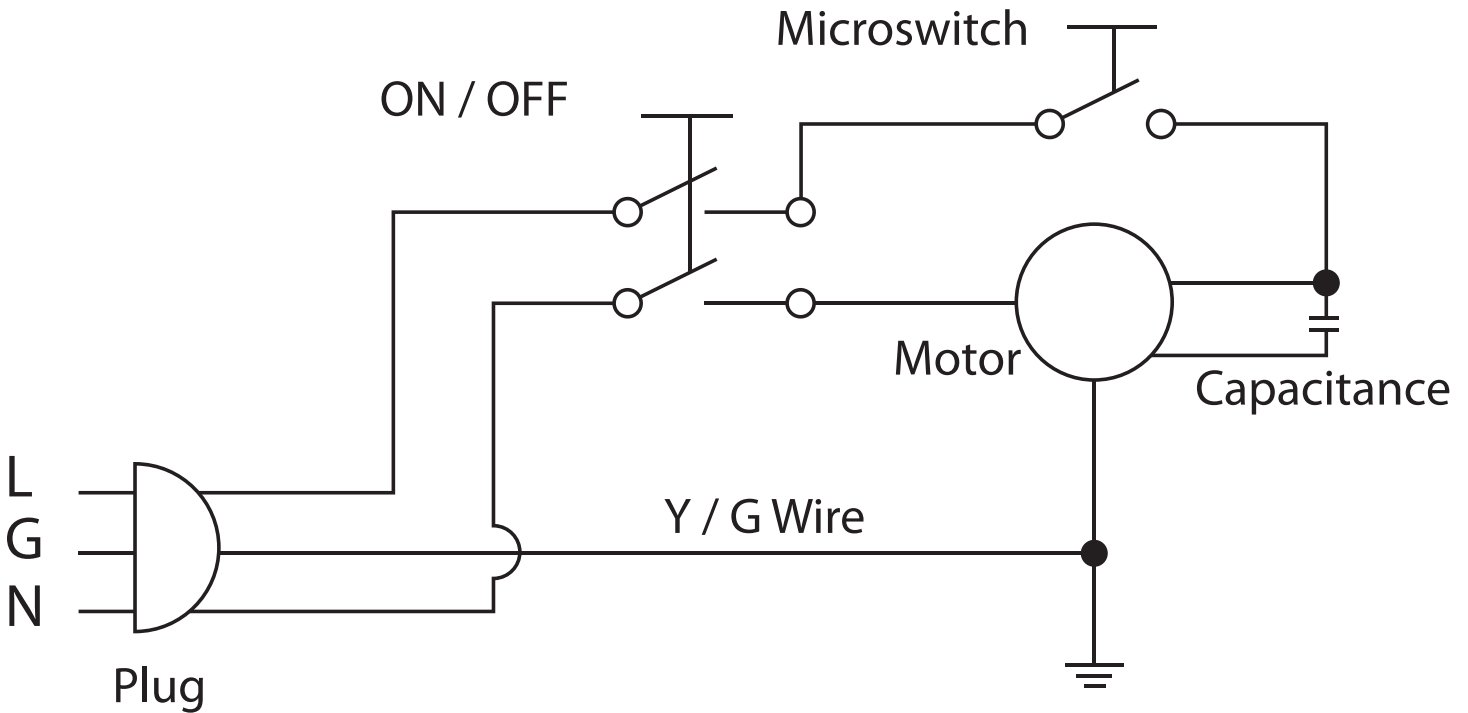
Parts Breakdown

Model IC-CN-1450-E 47468

Item No.	Description	Position	Item No.	Description	Position	Item No.	Description	Position
AL659	Handle Sleeve for 47468	1	AL671	Switch Cover for 47468	10	AL680	Power Cord for 47468	19
AL660	Handle for 47468	2	AL672	Screw for 47468	11	AL681	Power Switch for 47468	20
AL664	Dowel for 47468	3	AL673	Blade for 47468	12	AL682	Electric Capacity for 47468	21
AL665	Hexagon Screw for 47468	4	AL674	Rotary Component for 47468	13	AL683	Motor for 47468	22
AL666	Pressure Spring for 47468	5	AL675	Hexagon Screw for 47468	14	AL684	Baseplate for 47468	23
AL667	Hopper for 47468	6	AL676	Screw for 47468	15	AL685	Ice Tray for 47468	24
AL668	Torsional Spring for 47468	7	AL677	Connection Component for 47468	16	AL686	Screw for 47468	25
AL669	Step Screw for 47468	8	AL678	Housing for 47468	17	AL687	Rubber Feet for 47468	26
AL670	Safety Switch for 47468	9	AL679	Nut for 47468	18	AL688	Screw for 47468	27

Electrical Schematics

Model IC-CN-1450-E 47468





Warranty Registration

Thank you for purchasing an Omcan product. To register your warranty for this product, complete the information below, tear off the card at the perforation and then send to the address specified below. You can also register online by visiting:

Merci d'avoir acheté un produit Omcan. Pour enregistrer votre garantie pour ce produit, complétez les informations ci-dessous, détachez la carte au niveau de la perforation, puis l'envoyer à l'adresse spécifiée ci-dessous. Vous pouvez également vous inscrire en ligne en visitant:

Gracias por comprar un producto Omcan usted. Para registrar su garantía para este producto, complete la información a continuación, cortar la tarjeta en la perforación y luego enviarlo a la dirección indicada a continuación. También puede registrarse en línea en:

<https://omcan.com/warranty-registration/>

For mailing in Canada

Pour postale au Canada

Por correo en Canadá

OMCAN

PRODUCT WARRANTY REGISTRATION

3115 Pepper Mill Court,

Mississauga, Ontario

Canada, L5L 4X5

For mailing in the US

Pour diffusion aux États-Unis

Por correo en los EE.UU.

OMCAN

PRODUCT WARRANTY REGISTRATION

4450 Witmer Industrial Estates, Unit 4,

Niagara Falls, New York

USA, 14305

or email to: service@omcan.com



Purchaser's Information

Name: _____

Address: _____

City: _____ Province or State: _____ Postal or Zip: _____

Country: _____

Dealer from which Purchased: _____

Dealer City: _____ Dealer Province or State: _____

Invoice: _____

Model Name: _____ Model Number: _____

Machine Description: _____

Date of Purchase (MM/DD/YYYY): _____

Would you like to extend the warranty? Yes No

Company Name: _____

Telephone: _____

Email Address: _____

Type of Company:

Restaurant Bakery Deli

Butcher Supermarket Caterer

Institution (specify): _____

Other (specify): _____

Serial Number: _____

Date of Installation (MM/DD/YYYY): _____

Thank you for choosing Omcan | Merci d'avoir choisi Omcan | Gracias por elegir Omcan



Since 1951 Omcan has grown to become a leading distributor of equipment and supplies to the North American food service industry. Our success over these many years can be attributed to our commitment to strengthen and develop new and existing relationships with our valued customers and manufacturers. Today with partners in North America, Europe, Asia and South America, we continually work to improve and grow the company. We strive to offer customers exceptional value through our qualified local sales and service representatives who provide convenient access to over 6,500 globally sourced products.

Depuis 1951 Omcan a grandi pour devenir un des “leaders” de la distribution des équipements et matériel pour l’industrie des services alimentaires en Amérique du Nord. Notre succès au cours de ces nombreuses années peut être attribué à notre engagement à renforcer et à développer de nouvelles et existantes relations avec nos clients et les fabricants de valeur. Aujourd’hui avec des partenaires en Amérique du Nord, Europe, Asie et Amérique du Sud, nous travaillons continuellement à améliorer et développer l’entreprise. Nous nous efforçons d’offrir à nos clients une valeur exceptionnelle grâce à nos ventes locales qualifiées et des représentants de service qui offrent un accès facile à plus de 6500 produits provenant du monde entier.

Desde 1951 Omcan ha crecido hasta convertirse en un líder en la distribución de equipos y suministros de alimentos en América del Norte industria de servicios. Nuestro éxito en estos años se puede atribuir a nuestro compromiso de fortalecer y desarrollar nuevas relaciones existentes con nuestros valiosos clientes y fabricantes. Hoy con socios de América del Norte, Europa, Asia y América del Sur, que trabajan continuamente para mejorar y crecer la empresa. Nos esforzamos por ofrecer a nuestros clientes valor excepcional a través de nuestro local de ventas y representantes de los servicios que proporcionan un fácil acceso a más de 6,500 productos con origen a nivel mundial.

