



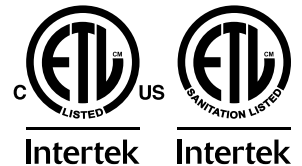
Refrigerated Showcases

Models RS-CN-0120-4D, 0160-4D, 0202-4D, 0252-4D
Items 47560, 48887, 47561, 47562

Instruction Manual



Revised - 02/02/2023



Toll Free: 1-800-465-0234
Fax: 905-607-0234
Email: service@omcan.com
www.omcan.com



Table of Contents

Model RS-CN-0120-4D / Model RS-CN-0160-4D
Model RS-CN-0202-4D / Model RS-CN-0252-4D

Section	Page
Disclaimer -----	3
General Information -----	4 - 5
Safety and Warranty -----	5 - 7
Technical Specifications -----	8
Operation -----	8 - 9
Maintenance -----	9 - 10
Troubleshooting -----	10 - 11
Parts Breakdown -----	12 - 19
Electrical Schematics -----	20
Notes -----	21 - 22
Warranty Registration -----	23

Disclaimer

OMCAN IS NOT RESPONSIBLE FOR ANY DAMAGES DUE TO WATER LEAKS. WARRANTY FOR WATER LEAKS IS VOID IF THE AMBIENT ROOM TEMPERATURE EXCEEDS 75°F AND 55% RELATIVE HUMIDITY, AND THE APPLIANCE DRAIN IS NOT CONNECTED DIRECTLY TO A FLOOR DRAIN.

OMCAN N'EST PAS RESPONSABLE DES DOMMAGES DUS AUX FUITES D'EAU. LA GARANTIE POUR LES FUITES D'EAU EST ANNULÉE SI LA TEMPÉRATURE AMBIANTE DE LA PIÈCE DÉPASSE 75°F ET 55% D'HUMIDITÉ RELATIVE, ET SI LE DRAIN DE L'APPAREIL N'EST PAS RACCORDÉ DIRECTEMENT À UN DRAIN DE PLANCHER.

OMCAN NO SE HACE RESPONSABLE DE LOS DAÑOS CAUSADOS POR FUGAS DE AGUA. LA GARANTÍA POR FUGAS DE AGUA QUEDA ANULADA SI LA TEMPERATURA AMBIENTE SUPERA LOS 75°F Y EL 55% DE HUMEDAD RELATIVA, Y EL DESAGÜE DEL APARATO NO ESTÁ CONECTADO DIRECTAMENTE A UN DESAGÜE DE PISO.

General Information

Omcan Manufacturing and Distributing Company Inc., Food Machinery of America, Inc. dba Omcan and Omcan Inc. are not responsible for any harm or injury caused due to any person's improper or negligent use of this equipment. The product shall only be operated by someone over the age of 18, of sound mind, and not under the influence of any drugs or alcohol, who has been trained in the correct operation of this machine, and is wearing authorized, proper safety clothing. Any modification to the machine voids any warranty, and may cause harm to individuals using the machine or in the vicinity of the machine while in operation.

CHECK PACKAGE UPON ARRIVAL

Upon receipt of an Omcan shipment please inspect for external damage. If no damage is evident on the external packaging, open carton to ensure all ordered items are within the box, and there is no concealed damage to the machine. If the package has suffered rough handling, bumps or damage (visible or concealed), please note it on the bill of lading before accepting the delivery and contact Omcan within 24 hours, so we may initiate a claim with the carrier. A detailed report on the extent of the damage caused to the machine must be filled out within three days, from the delivery date shown in the shipping documents. Omcan has no recourse for damaged products that were shipped collect or third party.

Before operating any equipment, always read and familiarize yourself with all operation and safety instructions.

Omcan would like to thank you for purchasing this machine. It's of the utmost importance to save these instructions for future reference. Also save the original box and packaging for shipping the equipment if servicing or returning of the machine is required.

Omcan Fabrication et distribution Compañie Limité et Food Machinery d'Amérique, dba Omcan et Omcan Inc. ne sont pas responsables de tout dommage ou blessure causé du fait que toute personne ait utilisé cet équipement de façon irrégulière. Le produit ne doit être exploité que par quelqu'un de plus de 18 ans, saine d'esprit, et pas sous l'influence d'une drogue ou d'acohol, qui a été formé pour utiliser cette machine correctement, et est vêtu de vêtements de sécurité approprié. Toute modification de la machine annule toute garantie, et peut causer un préjudice à des personnes utilisant la machine ou des personnes à proximité de la machine pendant son fonctionnement.

VÉRIFIEZ LE COLIS DÈS RÉCEPTION

Dès réception d'une expédition d'Omcan veuillez inspecter pour dommages externes. Si aucun dommage n'est visible sur l'emballage externe, ouvrez le carton afin de s'assurer que tous les éléments commandés sont dans la boîte, et il n'y a aucun dommage dissimulé à la machine. Si le colis n'a subi aucune mauvaises manipulations, de bosses ou de dommages (visible ou cachée), notez-le sur le bond de livraison avant d'accepter la livraison et contactez Omcan dans les 24 heures qui suivent, pour que nous puissions engager une réclamation auprès du transporteur. Un rapport détaillé sur l'étendue des dommages causés à la machine doit être rempli dans un délai de trois jours, à compter de la date de livraison indiquée dans les documents d'expédition. Omcan n'a aucun droit de recours pour les produits endommagés qui ont été expédiées ou cueilli par un tiers transporteur.



General Information

Avant d'utiliser n'importe quel équipement, toujours lire et vous familiariser avec toutes les opérations et les consignes de sécurité.

Omcan voudrais vous remercier d'avoir choisi cette machine. Il est primordial de conserver ces instructions pour une référence ultérieure. Également conservez la boîte originale et l'emballage pour l'expédition de l'équipement si l'entretien ou le retour de la machine est nécessaire.

Omcan Empresa De Fabricacion Y Distribucion Inc. Y Maquinaria De Alimentos De America, Inc. dba Omcan y Omcan Inc. no son responsables de ningun daño o perjuicio causado por cualquier persona inadecuada o el uso descuidado de este equipo. El producto solo podra ser operado por una persona mayor de 18 años, en su sano juicio y no bajo alguna influencia de droga o alcohol, y que este ha sido entrenado en el correcto funcionamiento de esta máquina, y ésta usando ropa apropiada y autorizada. Cualquier modificación a la máquina anula la garantía y puede causar daños a las personas usando la máquina mientras esta en el funcionamiento.

REVISE EL PAQUETE A SU LLEGADA

Tras la recepcion de un envio Omcan favor inspeccionar daños externos. Si no hay daños evidentes en el empaque exterior, Habra el carton para asegurarse que todos los articulos solicitados estén dentro de la caja y no encuentre daños ocultos en la máquina. Si el paquete ha sufrido un manejo de poco cuidado, golpes o daños (visible o oculto) por favor anote en la factura antes de aceptar la entrega y contacte Omcan dentro de las 24 horas, de modo que podamos iniciar una reclamación con la compañía. Un informe detallado sobre los daños causados a la máquina debe ser llenado en el plazo de tres días, desde la fecha de entrega que se muestra en los documentos de envío. Omcan no tiene ningun recurso por productos dañados que se enviaron a recoger por terceros.

Antes de utilizar cualquier equipo, siempre lea y familiarizarse con todas las instrucciones de funcionamiento y seguridad.

Omcan le gustaría darle las gracias por la compra de esta máquina. Es de la mayor importancia para salvar estas instrucciones para futuras consultas. Además, guarda la caja original y el embalaje para el envío del equipo si servicio técnico o devolución de la máquina que se requiere.

Safety and Warranty

HANDLING AND INSTALLATION

Handle with care	Storage
Unplug from the wall socket before moving. Never tilt the refrigerator over 45 degrees during handling.	Always store the refrigerator in a dry place.

Safety and Warranty

<p>Sufficient space To allow for proper air circulation and increased refrigeration capabilities, the refrigerator must have at least 4"/10cm of space between wall/ceiling and the machine.</p>	<p>Proper ventilation Always place the refrigerator in an area with good ventilation. For first time use, set in location and wait at least 2 hours before plugging into wall socket.</p>
<p>Away from heat source Never place the refrigerator near any type of heat source or in direct sunlight, as it reduces refrigeration capabilities.</p>	<p>No heavy load Never put heavy items on top of the refrigerator.</p>
<p>No altercations/tampering Never tamper with or make changes to the refrigerator. Changes and add-ons should not be installed to the inside or outside of the refrigerator.</p>	<p>Stable location Unpack and place the refrigerator on flat, solid ground.</p>

PREPARATION AND POWER SUPPLY

<p>Exclusive power outlet Power supply should be 110V, single phase AC with exclusive single phase three pin outlet (125V/15A). The power outlet must be in close proximity to the ground.</p>	<p>No shared power outlets Refrigerator cable should never share the power outlet with any other appliance, as cable will overheat and may result in a fire.</p>
<p>Protect cables Extra caution should be used when handling cables, as broken or damaged cables can cause sparking and may result in a fire.</p>	<p>No water flushing Never flush the refrigerator surface. This can cause leakage, which may result in electrical damage or fire.</p>
<p>Never store flammables and explosives No explosives or flammables should be stored in, or in proximity to, the refrigerator, such as gasoline, alcohol, and adhesives.</p>	<p>No spray Never spray flammables such as paint or coating near the refrigerator. This may cause fire or malfunction.</p>
<p>After power outage After a power outage or the unplugging of the refrigerator, wait at least 5 minutes before plugging it back in.</p>	<p>No medicine Medicine should not be stored inside of the refrigerator.</p>

RESIDENTIAL USERS: Vendor assumes no liability for parts or labor coverage for component failure or other damages resulting from installation in non-commercial or residential applications. The right is reserved to deny shipment for residential usage; if this occurs, you will be notified as soon as possible.

1 YEAR PARTS AND LABOUR WARRANTY

Within the warranty period, contact Omcan Inc. at 1-800-465-0234 to schedule an Omcan authorized service technician to repair the equipment locally.

Safety and Warranty

Unauthorized maintenance will void the warranty. Warranty covers electrical and part failures not improper use.

Please see <https://omcan.com/disclaimer> for complete info.

WARNING:

The packaging components are classified as normal solid urban waste and can therefore be disposed of without difficulty.

In any case, for suitable recycling, we suggest disposing of the products separately (differentiated waste) according to the current norms.

DO NOT DISCARD ANY PACKAGING MATERIALS IN THE ENVIRONMENT!

Technical Specifications

Model	RS-CN-0120-4D	RS-CN-0160-4D	RS-CN-0202-4D	RS-CN-0252-4D
Temperature Range	0 - 12°C / 32 - 53.6°F			
Refrigerant	R290			
Max Ambient Temp Rating	24°C / 75°F			
Net Volume	88 L / 3.1 cu.ft.	112 L / 3.95 cu.ft.	157 L / 5.54 cu.ft.	198 L / 6.99 cu.ft.
Electrical	110-120V / 60Hz / 1			
Current	2.8A	3.2A	3.6A	4.9A
Power	2/7 HP			
BTU/hr	1261			
Defrosting	Automatic Defrost			
Temperature Controller	Digital Thermostat			
Exterior Material	Stainless steel / Tempered Glass / Plastic			
Interior Material	Stainless Steel / Plastic			
Door Type	Sliding Door			
Insulation Material	EPS			
Shelf Dimensions	13.2" x 25" 335 x 636mm	13.2" x 32" 335 x 813mm	13.2" x 45.5" 335 x 1156mm	13.2" x 57.4" 335 x 1457mm
	14.4" x 25" 367 x 636mm	14.4" x 32" 367 x 813mm	14.4" x 45.5" 367 x 1156mm	14.4" x 57.4" 367 x 1457mm
Shelf Material	Chrome Plated			
Shelf Load Capacity	44 lbs. / 20 kgs.			
Exterior Dimensions	27.6" x 22.6" x 27.4" 702 x 575 x 696mm	34.6" x 22.6" x 27.4" 880 x 575 x 696mm	48" x 22.6" x 27.4" 1219 x 575 x 696mm	60" x 22.6" x 27.4" 1524 x 575 x 696mm
Interior Dimensions	26.2" x 19.3" x 16.2" 665 x 490 x 412mm	33.2" x 19.3" x 16.2" 843 x 490 x 412mm	46.5" x 19.3" x 16.2" 1182 x 490 x 412mm	58.5" x 19.3" x 16.2" 1487 x 490 x 412mm
Packaging Dimensions	30.4 x 24.7 x 28.9" 773 x 627 x 735mm	37.4 x 24.7 x 28.9" 951 x 627 x 735mm	50.8 x 24.7 x 28.9" 1290 x 627 x 850mm	62.8 x 24.7 x 29.4" 1595 x 627 x 860mm
Weight	132.3 lbs. / 60 kgs.	153.3 lbs. / 69.5 kgs.	206.2 lbs. / 93.5 kgs.	267.9 lbs. / 121.5 kgs.
Packaging Weight	138.9 lbs. / 63 kgs.	161 lbs. / 73 kgs.	233.7 lbs. / 106 kgs.	309.8 lbs. / 140.5 kgs.
Item Number	47560	48887	47561	47562

Operation

BEFORE USE

- Plug refrigerator into the 110V exclusive socket.

Operation

- After the refrigerator is running, confirm that air suction/filtration is in working order and that it is sufficiently cold. After checking to make sure the refrigerator is working properly, it may be used.

FEATURES OF FUNCTION

- Small, integrated digital controller, which is applicable to the compressor of 1 Hp. Located behind the front grill.
- Main functions are: Temperature Display/Temperature Control/Manual-Automatic /Light Control/Value Storing/Self-Testing/Parameter Locking.

FRONT PANEL OPERATION

1. Set temperature: Press **SET** button; set temperature will be displayed. Press **▲** or **▼** button to modify and store the displayed value. Press **SET** button to exit the adjustment and display the cold-room temperature.
2. If no button is pressed within 10 seconds, the cold-room temperature will be displayed.
3. Lighting: Press **☼** button to activate light in refrigerator; press again to turn off. Manual start/stop defrost: Press **☼** button and hold for 6 seconds to either defrost or to stop defrost.
4. Refrigeration LED: During refrigeration, the LED is on. When the cold room temperature is constant, the LED is off. During delay start, the LED flashes.
5. Defrost LED: During defrosting, the LED is on. When it stops defrosting, the LED is off. During the delay of defrost, the LED flashed.

CAUTION

- Never block the air outlet and suction to keep the air circulation and refrigeration capability constant.
- Do not overfill refrigerator with food, as it will influence the cooling effect. If needed, adjust the rack height for proper food storage.
- Cool down hot food to room temperature before placing inside the refrigerator.
- When power supply has been cut off, reduce opening times and maintain cool temperature in refrigerator.
- To avoid scalding, never touch the compressor.
- If the supply cord is damaged, it must be replaced by the manufacturer, its service agent, or similarly qualified persons in order to avoid hazard.
- This appliance is not intended for use by persons (including children) with reduced physical, sensory or mental capabilities, or lack of experience and knowledge, unless they have been given supervision or instruction concerning use of the appliance by a person responsible for their safety.
- Children should be supervised to ensure that they do not play with the appliance.

Maintenance

1. Cabinet Cleaning:
 - a. The product should be maintained and cleaned periodically with power supply disconnected. In cleaning, please use mild-rinsing water or non-corrosive products. Do not wash directly with water faucet.

Maintenance

- b. Clean outside of unit using a soft cloth with neutral detergent, and dry with a separate soft cloth.
- c. Clean inside racks by removing them from the unit and clean with water.
- 2. When shutting down unit for a long period of time, take out all food and unplug wall socket. Clean inside and outside thoroughly, and keep door open to sufficiently dry.
- 3. As glass breaks easily, keep far away from children.
- 4. Frequently observe the operation of the product. In case of any abnormal noise or smell, cut off the power supply immediately and call professionals. Do not restart the product before source of trouble is found.
- 5. We will not be responsible for any accidents acquired through failure to follow previous notices.

Troubleshooting

Trouble	Causes	Solutions
Strange noise under the bottom shelf.	Fan blade broken.	Power off and fix the blade.
Non-refrigerating in spite of normal operation.	Unit off.	Power on.
	Melting process.	Stop melting.
	Refrigerant leaking.	Patch the leak and refill refrigerant.
	Unit failure.	Call Omcan.
Weak air from air curtain, and higher cabinet temperature.	Evaporator blocked by frost.	Increase melting frequency.
	Inside fan damaged.	Replace the fan.
	Too low point of temperature controller.	Adjust the set point.
	Vent blocked by storage.	Remove the storage.
Normal air curtain, but higher cabinet temperature.	Insufficient refrigerant.	Refill the refrigerant.
	Too high set point of temperature controllers.	Adjust the set point for the temperature controller.
	The wind curtain disturbed by strong air flow.	Removing the disturbing factors.
	Ambient temperature or humidity beyond standards.	Improve the conditions.
Melting water overflows.	Heating pipe for melting water damaged.	Replace the heating pipe.
	Water level controller failure.	Replace the water level controller.
	Ambient temperature or humidity beyond standards.	Improve the conditions.

Troubleshooting

Normal air curtain, but periodical fluctuation of cabinet temperature.	Condenser contaminated.	Clean the condenser.
	Poor venting of the unit.	Improve the venting conditions.
	Heat protection of compressor failure.	Replace the heat protection.
	Capillary is blocked by ice.	Replace the drying filter.
	Temperature controller failure.	Replace the temperature controller.

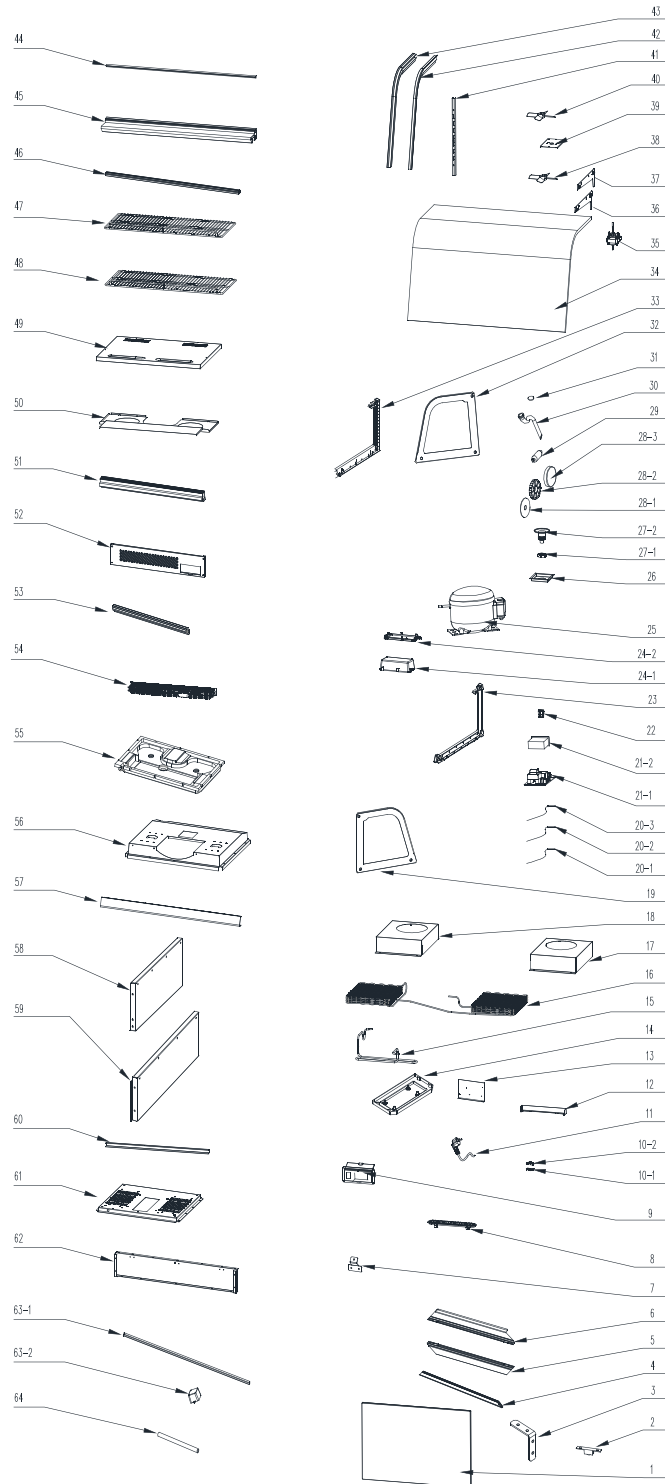
NOTE

Following occurrences are not problems:

- The murmur of water is heard when the refrigerator is working. It is a normal occurrence as the coolant is circulating in the system.
- When the weather is damp, condensation might be found on the outside of the refrigerator. It is caused by high humidity. Simply use cloth to wipe it off.

Parts Breakdown

Model RS-CN-0120-4D 47560



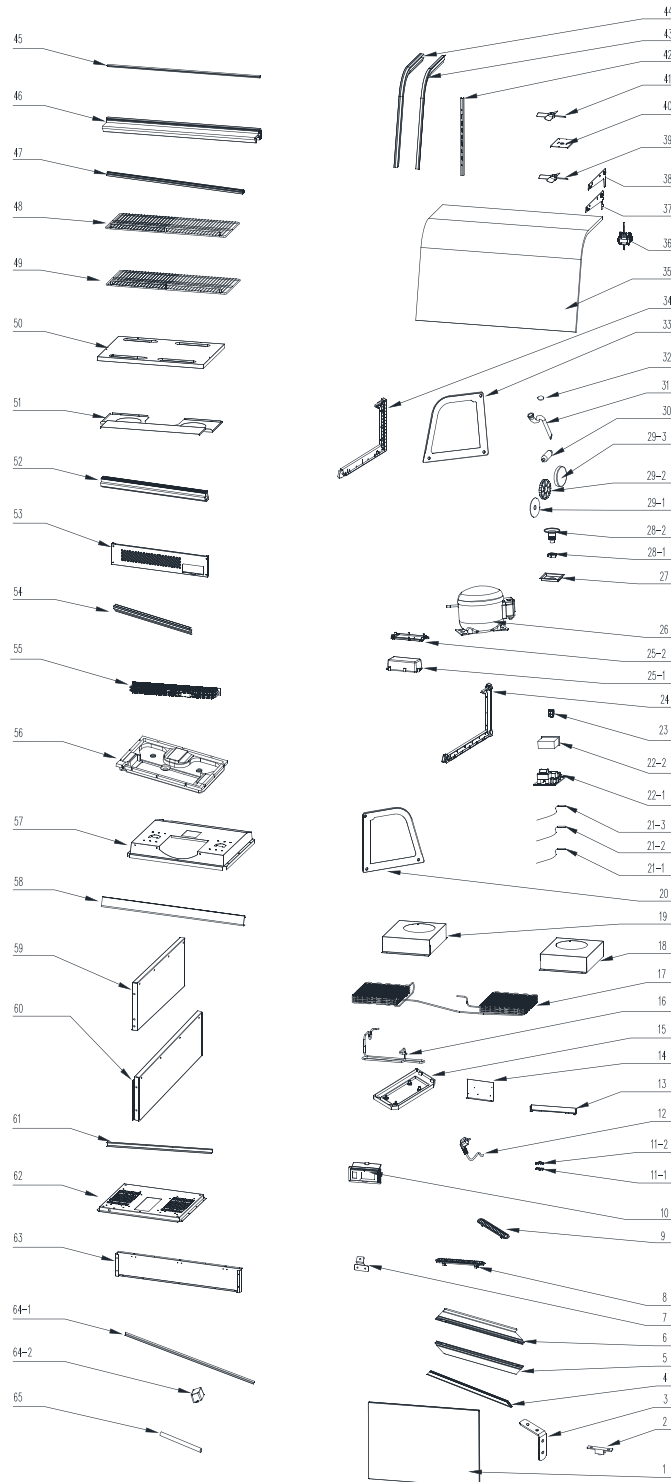
Parts Breakdown

Model RS-CN-0120-4D 47560

Item No.	Description	Position	Item No.	Description	Position	Item No.	Description	Position
AL564	Door Glass for 47560	1	60119	Switch for 47560	22	30797	Left Seal for 47560	43
71639	Door Wheel for 47560	2	AL575	Left Panel for 47560	23	30754	Decorative Board for 47560	44
AK105	Door Frame Square Connector for 47560	3	AA050	Control Box for 47560	24-1	30755	Top Panel for 47560	45
AL565	Upper and Lower Door Frame for 47560	4	AA051	Control Box Cover for 47560	24-2	AL580	Top Insert Board for 47560	46
AK107	Left and Right Door Frame for 47560	5	60534	Compressor for 47560	25	30757	Shelf 2 for 47560	47
AK108	Door Frame with Handle for 47560	6	AA083	Backing Plate for 47560	26	30756	Shelf 1 for 47560	48
AL566	Front Frame Support for 47560	7	71518	Nut for 47560	27-1	AL581	Vent Tray for 47560	49
30776	Cover for Air Outlet for 47560	8	AL576	Drainage Pipe Joint for 47560	27-2	AL582	Evaporator Protect Board for 47560	50
68298	Switch Base for 47560	9	79314	Decoration Nut Gasket for 47560	28-1	AL583	Rear Middle Pillar for 47560	51
61246	Wire Clip Holder for 47560	10-1	79313	Nut Gasket for 47560	28-2	AL584	Rear Base Panel for 47560	52
61245	Wire Clip Cover for 47560	10-2	79312	Nut Decoration for 47560	28-3	AL585	Front Middle Pillar for 47560	53
AA062	Power Cord for 47560	11	30624	Dry Filter for 47560	29	AL586	Evaporator for 47560	54
AL567	Condenser Limiting Plate for 47560	12	AL309	Drain Pipe for 47560	30	AL587	Foam Base of Evaporator for 47560	55
AL568	Fixed Board of PCB Box for 47560	13	AL376	Pipe Clip for 47560	31	AL588	Plastic Base for Pillar for 47560	56
AL569	Water Receiver for 47560	14	AL577	Right Glass for 47560	32	AL589	Front Decorative Board for 47560	57
AL570	Tray of Heater for 47560	15	AL578	Right Panel for 47560	33	AL590	Left Frame for 47560	58
AL571	Condensator for 47560	16	30746	Front Curved Glass for 47560	34	AL591	Right Frame for 47560	59
AL572	Right Condensator Cushion for 47560	17	68336	Fan for 47560	35	AL592	Front Middle Pillar Lining for 47560	60
AL573	Left Condensator Cushion for 47560	18	67313	Bottom Shelf Bracket Left for 47560	36	AL593	Bottom Base of Compressor for 47560	61
AL574	Left Glass for 47560	19	67314	Bottom Shelf Bracket Right for 47560	37	AL594	Front Frame for 47560	62
68332	Temperature Sensor for 47560	20-1	AH724	Fan Blade for 47560	38	AL595	LED Light for 47560	63-1
AA049	Defrost Probe for 47560	20-2	79662	Metal Base of Fan Motor for 47560	39	68356	Driver for 47560	63-2
AH718	High Temperature Sensor for 47560	20-3	AL579	Fan Blade for 47560	40	30742	Accumulator for 47560	64
AA052	Main Circuit Board for 47560	21-1	30751	Pillar for Bracket for 47560	41			
AA082	Digital Controller for 47560	21-2	30798	Right Seal for 47560	42			

Parts Breakdown

Model RS-CN-0160-4D 48887



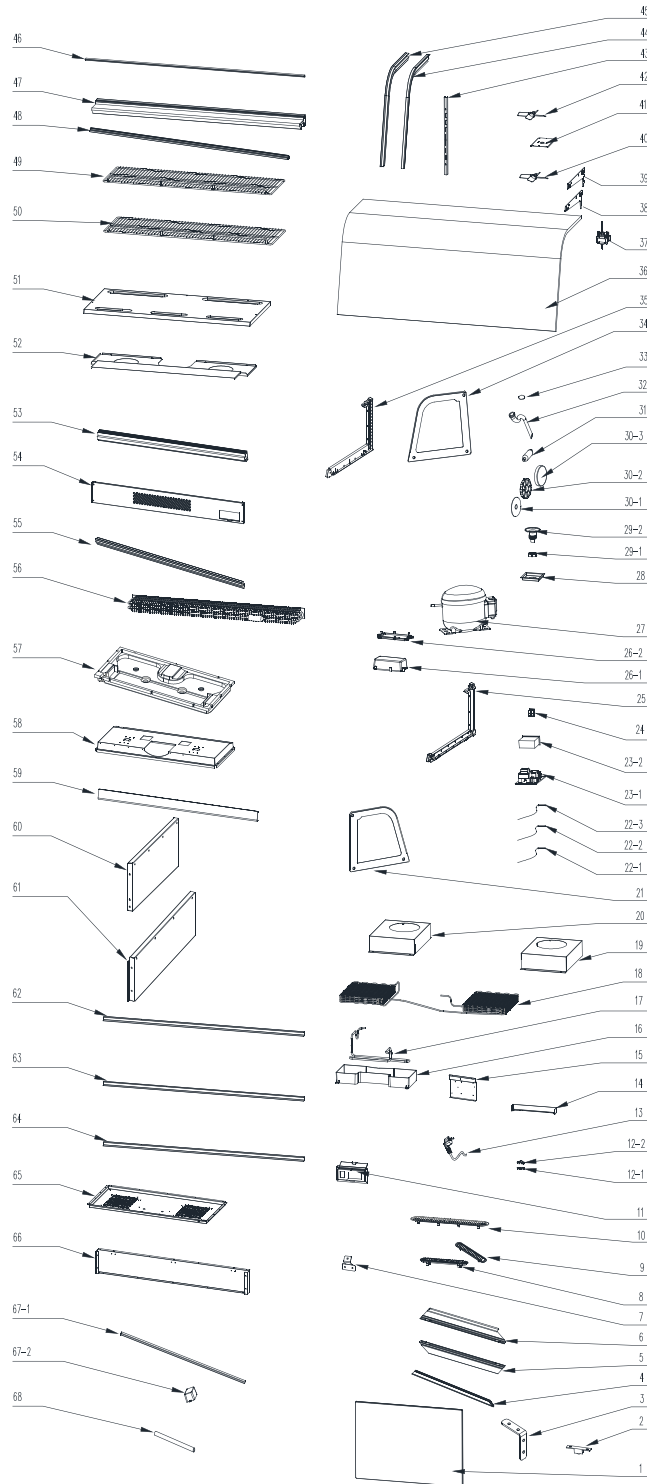
Parts Breakdown

Model RS-CN-0160-4D 48887

Item No.	Description	Position	Item No.	Description	Position	Item No.	Description	Position
AL596	Door Glass for 48887	1	AA082	Digital Controller for 48887	22-2	30798	Right Seal for 48887	43
71639	Door Wheel for 48887	2	60119	Switch for 48887	23	30797	Left Seal for 48887	44
AK105	Door Frame Square Connector for 48887	3	AL575	Left Panel for 48887	24	30799	Decorative Board for 48887	45
AL597	Upper and Lower Door Frame for 48887	4	AA050	Control Box for 48887	25-1	30800	Top Panel for 48887	46
AK107	Left and Right Door Frame for 48887	5	AA051	Control Box Cover for 48887	25-2	AL601	Top Insert Board for 48887	47
AK108	Door Frame with Handle for 48887	6	60534	Compressor for 48887	26	71683	Chrome Shelf 1 for 48887	48
AL566	Front Frame Support for 48887	7	AA083	Backing Plate for 48887	27	71684	Chrome Shelf 2 for 48887	49
30776	Cover for Air Outlet for 48887	8	71518	Nut for 48887	28-1	AL602	Vent Tray for 48887	50
AK110	Cover for Air Outlet for 48887	9	AL576	Drainage Pipe Joint for 48887	28-2	AL603	Evaporator Protect Board for 48887	51
68298	Switch Base for 48887	10	79314	Decoration Nut Gasket for 48887	29-1	AL604	Rear Middle Pillar for 48887	52
61246	Wire Clip Holder for 48887	11-1	79313	Nut Gasket for 48887	29-2	AL605	Rear Base Panel for 48887	53
61245	Wire Clip Cover for 48887	11-2	79312	Nut Decoration for 48887	29-3	AL606	Front Middle Pillar for 48887	54
AA062	Power Cord for 48887	12	30624	Dry Filter for 48887	30	AL607	Evaporator for 48887	55
AL567	Condenser Limiting Plate for 48887	13	AL309	Drain Pipe for 48887	31	AL608	Foam Base of Evaporator for 48887	56
AL568	Fixed Board of PCB Box for 48887	14	AL376	Pipe Clip for 48887	32	AL609	Plastic Base for Pillar for 48887	57
AL569	Water Receiver for 48887	15	AL577	Right Glass for 48887	33	AL610	Front Decorative Board for 48887	58
AL570	Tray of Heater for 48887	16	AL578	Right Panel for 48887	34	AL590	Left Frame for 48887	59
AL571	Condensator for 48887	17	30791	Front Curved Glass for 48887	35	AL591	Right Frame for 48887	60
AL598	Right Condensator Cushion for 48887	18	AL600	Motor Fan for 48887	36	AL611	Front Middle Pillar Lining for 48887	61
AL599	Left Condensator Cushion for 48887	19	67313	Bottom Shelf Bracket Left for 48887	37	AL612	Bottom Base of Compressor for 48887	62
AL574	Left Glass for 48887	20	67314	Bottom Shelf Bracket Right for 48887	38	AL613	Front Frame for 48887	63
68332	Temperature Sensor for 48887	21-1	AH724	Fan Blade for 48887	39	AL614	LED Light for 48887	64-1
AA049	Defrost Probe for 48887	21-2	79662	Metal Base of Fan Motor for 48887	40	68356	Driver for 48887	64-2
AH718	High Temperature Sensor for 48887	21-3	AL579	Fan Blade for 48887	41	30742	Accumulator for 48887	65
AA052	Main Circuit Board for 48887	22-1	30751	Pillar for Bracket for 48887	42			

Parts Breakdown

Model RS-CN-0202-4D 47561



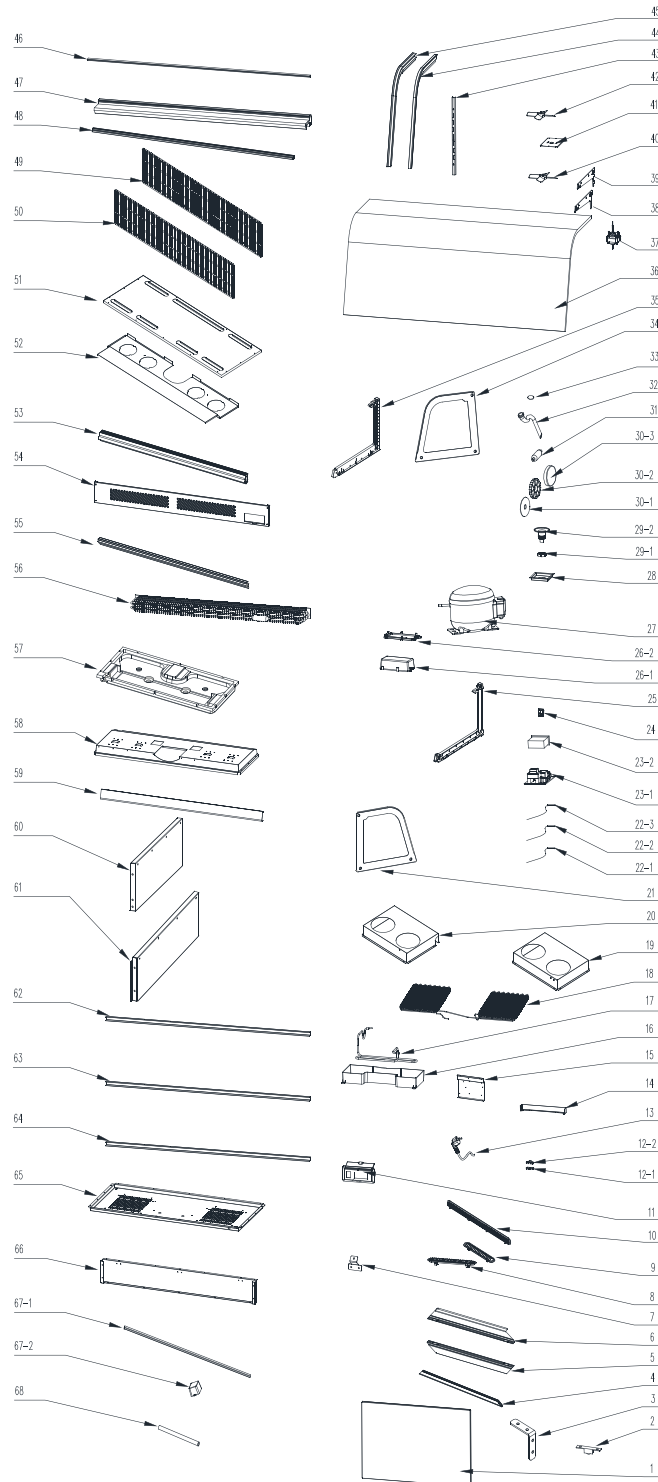
Parts Breakdown

Model RS-CN-0202-4D 47561

Item No.	Description	Position	Item No.	Description	Position	Item No.	Description	Position
AL615	Door Glass for 47561	1	AA082	Digital Controller for 47561	23-2	30797	Left Seal for 47561	45
71639	Door Wheel for 47561	2	60119	Switch for 47561	24	AA089	Decorative Board for 47561	46
AK105	Door Frame Square Connector for 47561	3	AL575	Left Panel for 47561	25	AA090	Top Panel for 47561	47
AL616	Upper and Lower Door Frame for 47561	4	AA050	Control Box for 47561	26-1	AL620	Top Insert Board for 47561	48
AK107	Left and Right Door Frame for 47561	5	AA051	Control Box Cover for 47561	26-2	AA091	Shelf 1 for 47561	49
AK108	Door Frame with Handle for 47561	6	60534	Compressor for 47561	27	AA092	Shelf 2 for 47561	50
AL566	Front Frame Support for 47561	7	AA083	Backing Plate for 47561	28	AL621	Vent Tray for 47561	51
30776	Cover for Air Outlet for 47561	8	71518	Nut for 47561	29-1	AA094	Evaporator Protect Board for 47561	52
AK110	Cover for Air Outlet for 47561	9	AL576	Drainage Pipe Joint for 47561	29-2	AL622	Rear Middle Pillar for 47561	53
AA072	Cover for Air Suction for 47561	10	79314	Decoration Nut Gasket for 47561	30-1	AL623	Rear Base Panel for 47561	54
68298	Switch Base for 47561	11	79313	Nut Gasket for 47561	30-2	AL624	Front Middle Pillar for 47561	55
61246	Wire Clip Holder for 47561	12-1	79312	Nut Decoration for 47561	30-3	AL625	Evaporator for 47561	56
61245	Wire Clip Cover for 47561	12-2	30624	Dry Filter for 47561	31	AL626	Foam Base of Evaporator for 47561	57
AA062	Power Cord for 47561	13	AL309	Drain Pipe for 47561	32	AL627	Plastic Base for Pillar for 47561	58
AA073	Condenser Limiting Plate for 47561	14	AL376	Pipe Clip for 47561	33	AL628	Front Decorative Board for 47561	59
AL617	Fixed Board of PCB Box for 47561	15	AL577	Right Glass for 47561	34	AL590	Left Frame for 47561	60
60948	Water Receiver for 47561	16	AL578	Right Panel for 47561	35	AL591	Right Frame for 47561	61
AA075	Tray of Heater for 47561	17	AA085	Curved Front Glass for 47561	36	AL629	Rear Middle Pillar Lining for 47561	62
AA076	Condensator for 47561	18	AK118	Motor Fan for 47561	37	AL630	Upper Plate Lining for 47561	63
AL618	Right Condensator Cushion for 47561	19	67313	Bottom Shelf Bracket Left for 47561	38	AL631	Front Middle Pillar Lining for 47561	64
AL619	Left Condensator Cushion for 47561	20	67314	Bottom Shelf Bracket Right for 47561	39	AL632	Bottom Base of Compressor for 47561	65
AL574	Left Glass for 47561	21	AA087	Fan Blade for 47561	40	AL633	Front Frame for 47561	66
68332	Temperature Sensor for 47561	22-1	AK119	Fan Motor Stand for 47561	41	AL634	LED Light for 47561	67-1
AA049	Defrost Probe for 47561	22-2	AH740	Fan Blade for 47561	42	68356	Driver for 47561	67-2
AH718	High Temperature Sensor for 47561	22-3	30751	Pillar for Bracket for 47561	43	30742	Accumulator for 47561	68
AA052	Main Circuit Board for 47561	23-1	30798	Right Seal for 47561	44			

Parts Breakdown

Model RS-CN-0252-4D 47562



Parts Breakdown

Model RS-CN-0252-4D 47562

Item No.	Description	Position	Item No.	Description	Position	Item No.	Description	Position
AK104	Door Glass for 47562	1	AA082	Digital Controller for 47562	23-2	30797	Left Seal for 47562	45
71639	Door Wheel for 47562	2	60119	Switch for 47562	24	AK120	Decorative Board for 47562	46
AK105	Door Frame Square Connector for 47562	3	AL575	Left Panel for 47562	25	AK121	Top Panel for 47562	47
AK106	Upper and Lower Door Frame for 47562	4	AA050	Control Box for 47562	26-1	AK122	Top Insert Board for 47562	48
AK107	Left and Right Door Frame for 47562	5	AA051	Control Box Cover for 47562	26-2	AK123	Shelf 1 for 47562	49
AK108	Door Frame with Handle for 47562	6	60534	Compressor for 47562	27	AK124	Shelf 2 for 47562	50
AL566	Front Frame Support for 47562	7	AA083	Backing Plate for 47562	28	AK125	Vent Tray for 47562	51
30776	Cover for Air Outlet for 47562	8	71518	Nut for 47562	29-1	AK126	Evaporator Protect Board for 47562	52
AK110	Cover for Air Outlet for 47562	9	AL576	Drainage Pipe Joint for 47562	29-2	AL638	Rear Middle Pillar for 47562	53
30777	Cover for Air Suction for 47562	10	79314	Decoration Nut Gasket for 47562	30-1	AL639	Rear Base Panel for 47562	54
68298	Switch Base for 47562	11	79313	Nut Gasket for 47562	30-2	AL640	Front Middle Pillar for 47562	55
61246	Wire Clip Holder for 47562	12-1	79312	Nut Decoration for 47562	30-3	AK130	Evaporator for 47562	56
61245	Wire Clip Cover for 47562	12-2	79319	Dry Filter for 47562	31	AL641	Foam Base of Evaporator for 47562	57
AA062	Power Cord for 47562	13	AL309	Drain Pipe for 47562	32	AL642	Plastic Base for Pillar for 47562	58
AK111	Condenser Limiting Plate for 47562	14	AL376	Pipe Clip for 47562	33	AL643	Front Decorative Board for 47562	59
AL617	Fixed Board of PCB Box for 47562	15	AL577	Right Glass for 47562	34	AL590	Left Frame for 47562	60
60948	Water Receiver for 47562	16	AL578	Right Panel for 47562	35	AL591	Right Frame for 47562	61
AA075	Tray of Heater for 47562	17	AL637	Curved Front Glass for 47562	36	AL644	Rear Middle Pillar Lining for 47562	62
AK112	Condensator for 47562	18	AK118	Motor Fan for 47562	37	AL645	Upper Plate Lining for 47562	63
AL635	Right Condensator Cushion for 47562	19	67313	Bottom Shelf Bracket Left for 47562	38	AL646	Front Middle Pillar Lining for 47562	64
AL636	Left Condensator Cushion for 47562	20	67314	Bottom Shelf Bracket Right for 47562	39	AL647	Bottom Base of Compressor for 47562	65
AL574	Left Glass for 47562	21	AA087	Fan Blade for 47562	40	AL648	Front Frame for 47562	66
60666	Temperature Probe for 47562	22-1	AK119	Fan Motor Stand for 47562	41	AK143	LED Light for 47562	67-1
AA049	Defrost Probe for 47562	22-2	AH740	Fan Blade for 47562	42	60595	LED Transformer for 47562	67-2
AH718	High Temperature Sensor for 47562	22-3	30751	Pillar for Bracket for 47562	43	30742	Accumulator for 47562	68
AA052	Main Circuit Board for 47562	23-1	30798	Right Seal for 47562	44			

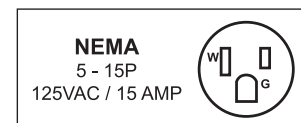
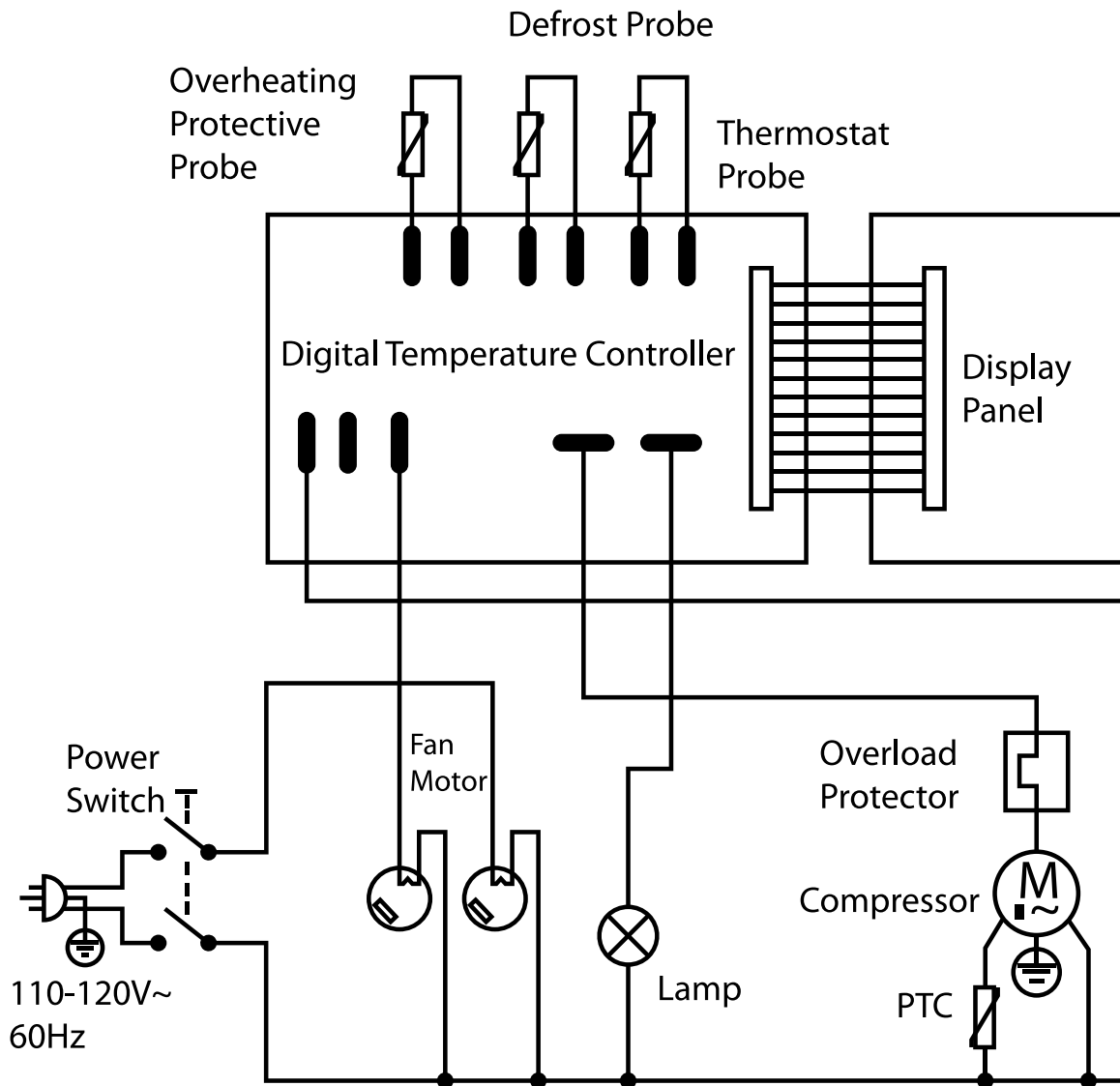
Electrical Schematics

Model RS-CN-0120-4D 47560

Model RS-CN-0160-4D 48887

Model RS-CN-0202-4D 47561

Model RS-CN-0252-4D 47562





Warranty Registration

Thank you for purchasing an Omcan product. To register your warranty for this product, complete the information below, tear off the card at the perforation and then send to the address specified below. You can also register online by visiting:

Merci d'avoir acheté un produit Omcan. Pour enregistrer votre garantie pour ce produit, complétez les informations ci-dessous, détachez la carte au niveau de la perforation, puis l'envoyer à l'adresse spécifiée ci-dessous. Vous pouvez également vous inscrire en ligne en visitant:

Gracias por comprar un producto Omcan usted. Para registrar su garantía para este producto, complete la información a continuación, cortar la tarjeta en la perforación y luego enviarlo a la dirección indicada a continuación. También puede registrarse en línea en:

<https://omcan.com/warranty-registration/>

For mailing in Canada

Pour postale au Canada

Por correo en Canadá

OMCAN

PRODUCT WARRANTY REGISTRATION

3115 Pepper Mill Court,

Mississauga, Ontario

Canada, L5L 4X5

For mailing in the US

Pour diffusion aux États-Unis

Por correo en los EE.UU.

OMCAN

PRODUCT WARRANTY REGISTRATION

4450 Witmer Industrial Estates, Unit 4,

Niagara Falls, New York

USA, 14305

or email to: service@omcan.com



Purchaser's Information

Name: _____

Address: _____

City: _____ Province or State: _____ Postal or Zip: _____

Country: _____

Dealer from which Purchased: _____

Dealer City: _____ Dealer Province or State: _____

Invoice: _____

Model Name: _____ Model Number: _____

Machine Description: _____

Date of Purchase (MM/DD/YYYY): _____

Would you like to extend the warranty? Yes No

Company Name: _____

Telephone: _____

Email Address: _____

Type of Company:

Restaurant Bakery Deli

Butcher Supermarket Caterer

Institution (specify): _____

Other (specify): _____

Serial Number: _____

Date of Installation (MM/DD/YYYY): _____

Thank you for choosing Omcan | Merci d'avoir choisi Omcan | Gracias por elegir Omcan



Since 1951 Omcan has grown to become a leading distributor of equipment and supplies to the North American food service industry. Our success over these many years can be attributed to our commitment to strengthen and develop new and existing relationships with our valued customers and manufacturers. Today with partners in North America, Europe, Asia and South America, we continually work to improve and grow the company. We strive to offer customers exceptional value through our qualified local sales and service representatives who provide convenient access to over 6,500 globally sourced products.

Depuis 1951 Omcan a grandi pour devenir un des “leaders” de la distribution des équipements et matériel pour l’industrie des services alimentaires en Amérique du Nord. Notre succès au cours de ces nombreuses années peut être attribué à notre engagement à renforcer et à développer de nouvelles et existantes relations avec nos clients et les fabricants de valeur. Aujourd’hui avec des partenaires en Amérique du Nord, Europe, Asie et Amérique du Sud, nous travaillons continuellement à améliorer et développer l’entreprise. Nous nous efforçons d’offrir à nos clients une valeur exceptionnelle grâce à nos ventes locales qualifiées et des représentants de service qui offrent un accès facile à plus de 6500 produits provenant du monde entier.

Desde 1951 Omcan ha crecido hasta convertirse en un líder en la distribución de equipos y suministros de alimentos en América del Norte industria de servicios. Nuestro éxito en estos años se puede atribuir a nuestro compromiso de fortalecer y desarrollar nuevas relaciones existentes con nuestros valiosos clientes y fabricantes. Hoy con socios de América del Norte, Europa, Asia y América del Sur, que trabajan continuamente para mejorar y crecer la empresa. Nos esforzamos por ofrecer a nuestros clientes valor excepcional a través de nuestro local de ventas y representantes de los servicios que proporcionan un fácil acceso a más de 6,500 productos con origen a nivel mundial.

