



## Display Warmer

Model DW-CN-1200

Item 48386

## Instruction Manual



*Revised - 03/21/2025*



Toll Free: 1-800-465-0234  
Fax: 905-607-0234  
Email: [service@omcan.com](mailto:service@omcan.com)  
[www.omcan.com](http://www.omcan.com)



# Table of Contents

Model DW-CN-1200

---

<b>Section</b>	<b>Page</b>
General Information -----	3 - 4
Safety and Warranty -----	4 - 6
Technical Specifications -----	7
Installation -----	7
Operation -----	8
Maintenance -----	8 - 9
Parts Breakdown -----	10 - 11
Electrical Schematics -----	12
Notes -----	13 - 14
Warranty Registration -----	15



# General Information

---

**Omcan Manufacturing and Distributing Company Inc., Food Machinery of America, Inc. dba Omcan and Omcan Inc. are not responsible for any harm or injury caused due to any person's improper or negligent use of this equipment. The product shall only be operated by someone over the age of 18, of sound mind, and not under the influence of any drugs or alcohol, who has been trained in the correct operation of this machine, and is wearing authorized, proper safety clothing. Any modification to the machine voids any warranty, and may cause harm to individuals using the machine or in the vicinity of the machine while in operation.**

## **CHECK PACKAGE UPON ARRIVAL**

Upon receipt of an Omcan shipment please inspect for external damage. If no damage is evident on the external packaging, open carton to ensure all ordered items are within the box, and there is no concealed damage to the machine. If the package has suffered rough handling, bumps or damage (visible or concealed), please note it on the bill of lading before accepting the delivery and contact Omcan within 24 hours, so we may initiate a claim with the carrier. A detailed report on the extent of the damage caused to the machine must be filled out within three days, from the delivery date shown in the shipping documents. Omcan has no recourse for damaged products that were shipped collect or third party.

**Before operating any equipment, always read and familiarize yourself with all operation and safety instructions.**

**Omcan would like to thank you for purchasing this machine. It's of the utmost importance to save these instructions for future reference. Also save the original box and packaging for shipping the equipment if servicing or returning of the machine is required.**

---

**Omcan Fabrication et distribution Compagnie Limitée et Food Machinery d'Amérique, dba Omcan et Omcan Inc. ne sont pas responsables de tout dommage ou blessure causé du fait que toute personne ait utilisé cet équipement de façon irrégulière. Le produit ne doit être exploité que par quelqu'un de plus de 18 ans, saine d'esprit, et pas sous l'influence d'une drogue ou d'alcool, qui a été formé pour utiliser cette machine correctement, et est vêtu de vêtements de sécurité appropriés. Toute modification de la machine annule toute garantie, et peut causer un préjudice à des personnes utilisant la machine ou des personnes à proximité de la machine pendant son fonctionnement.**

## **VÉRIFIEZ LE COLIS DÈS RÉCEPTION**

Dès réception d'une expédition d'Omcan veuillez inspecter pour dommages externes. Si aucun dommage n'est visible sur l'emballage externe, ouvrez le carton afin de s'assurer que tous les éléments commandés sont dans la boîte, et il n'y a aucun dommage dissimulé à la machine. Si le colis n'a subi aucune mauvaises manipulations, de bosses ou de dommages (visible ou cachée), notez-le sur le bond de livraison avant d'accepter la livraison et contactez Omcan dans les 24 heures qui suivent, pour que nous puissions engager une réclamation auprès du transporteur. Un rapport détaillé sur l'étendue des dommages causés à la machine doit être rempli dans un délai de trois jours, à compter de la date de livraison indiquée dans les documents d'expédition. Omcan n'a aucun droit de recours pour les produits endommagés qui ont été expédiés ou cueilli par un tiers transporteur.

**Avant d'utiliser n'importe quel équipement, toujours lire et vous familiariser avec toutes les opérations et les**

# General Information

---

consignes de sécurité.

Omcan voudrais vous remercier d'avoir choisi cette machine. Il est primordial de conserver ces instructions pour une référence ultérieure. Également conservez la boîte originale et l'emballage pour l'expédition de l'équipement si l'entretien ou le retour de la machine est nécessaire.

Omcan Empresa De Fabricacion Y Distribucion Inc. Y Maquinaria De Alimentos De America, Inc. dba Omcan y Omcan Inc. no son responsables de ningun daño o perjuicio causado por cualquier persona inadecuada o el uso descuidado de este equipo. El producto solo podra ser operado por una persona mayor de 18 años, en su sano juicio y no bajo alguna influencia de droga o alcohol, y que este ha sido entrenado en el correcto funcionamiento de esta máquina, y ésta usando ropa apropiada y autorizada. Cualquier modificación a la máquina anula la garantía y puede causar daños a las personas usando la máquina mientras esta en el funcionamiento.

## REVISE EL PAQUETE A SU LLEGADA

Tras la recepcion de un envio Omcan favor inspeccionar daños externos. Si no hay daños evidentes en el empaque exterior, Habra el carton para asegurarse que todos los articulos solicitados estén dentro de la caja y no encuentre daños ocultos en la máquina. Si el paquete ha sufrido un manejo de poco cuidado, golpes o daños (visible o oculto) por favor anote en la factura antes de aceptar la entrega y contacte Omcan dentro de las 24 horas, de modo que podamos iniciar una reclamación con la compañía. Un informe detallado sobre los daños causados a la máquina debe ser llenado en el plazo de tres días, desde la fecha de entrega que se muestra en los documentos de envío. Omcan no tiene ningun recurso por productos dañados que se enviaron a recoger por terceros.

**Antes de utilizar cualquier equipo, siempre lea y familiarizarse con todas las instrucciones de funcionamiento y seguridad.**

Omcan le gustaría darle las gracias por la compra de esta máquina. Es de la mayor importancia para salvar estas instrucciones para futuras consultas. Además, guarda la caja original y el embalaje para el envío del equipo si servicio técnico o devolución de la máquina que se requiere.

# Safety and Warranty

---

## SAFETY

- The appliance is not to be used by persons (including children) with reduced physical, sensory or mental capabilities, or lack of experience and knowledge, unless they have been given supervision or instruction
- Children being supervised not to play with the appliance.
- This appliance can be used by children aged from 8 years and above and persons with reduced physical, sensory or mental capabilities or lack of experience and knowledge if they have been given supervision or instruction concerning use of the appliance in a safe way and understand the hazards involved.



# Safety and Warranty

---

- Children shall not play with the appliance.
- Cleaning and user maintenance shall not be made by children without supervision.
- If the supply cord is damaged, it must be replaced by the manufacturer, its service agent or similarly qualified persons in order to avoid a hazard.
- Don't use any kind of pressure water jet for cleaning the device.
- To prevent hazards and to ensure optimum efficiency, no modifications or alterations to the device that are not explicitly approved by the manufacturer may be undertaken. This device may only be operated in technically proper and safe condition.
- The device should be never left unattended during operation. Keep away children.
- Preserve this manual safely. When passing on/selling the device to a third party, the manuals must be handed over along with the device.
- Every person using the device must act in accordance to the manuals and under consideration of the safety advice.
- The device is to be used indoors only.
- Any technical interventions, as well as assembly and maintenance are to be made by a qualified customer service only.

## PREPARATION AND POWER SUPPLY

### EXCLUSIVE POWER SOCKET

The power receptacle must have a reliable ground connection.

### NO SHARING ON SOCKET

Never let the device share the common socket with other appliances, otherwise the cable becomes hot and fire might be resulted.

### PROTECT CABLES

Never break or damage the cables otherwise current leakage and fire might be resulted.

### NO WATER FLUSHING

Never give the surface of the device a flush with water or other liquids otherwise current leakage might be resulted.

### KEEP AWAY FROM FLAMMABLES AND EXPLOSIVE

Never put any flammable or explosive materials inside the device such as ether, gasoline, alcohol, adhesive and other explosives. Never put dangerous product nearby the device.

### CAUTION

Children should be supervised to ensure that they do not play with the appliance.

- If the supply cord is damaged, it must be replaced by the manufacturer, its service agent or similarly qualified persons in order to avoid a hazard.

**RESIDENTIAL USERS: vendor assumes no liability for parts or labor coverage for component failure or other damages resulting from installation in non-commercial or residential applications. The right is reserved to deny shipment for residential usage; if this occurs, you will be notified as soon as possible.**

# Safety and Warranty

---

## 1 YEAR PARTS AND LABOUR WARRANTY

Within the warranty period, contact Omcan Inc. at 1-800-465-0234 to schedule an Omcan authorized service technician to repair the equipment locally.

Unauthorized maintenance will void the warranty. Warranty covers electrical and part failures, not improper use.

Please see <https://omcan.com/disclaimer> for complete info.

### **WARNING:**

The packaging components are classified as normal solid urban waste and can therefore be disposed of without difficulty.

In any case, for suitable recycling, we suggest disposing of the products separately (differentiated waste) according to the current norms.

**DO NOT DISCARD ANY PACKAGING MATERIALS IN THE ENVIRONMENT!**

# Technical Specifications

<b>Model</b>	DW-CN-1200
<b>Item Number</b>	48386
<b>Power</b>	3100 W
<b>Capacity</b>	760 L / 26.8 cu.ft.
<b>Exterior Material</b>	Glass / Stainless Steel
<b>Interior Material</b>	Stainless Steel / Aluminium
<b>Shelf Material</b>	Aluminium
<b>Shelf Dimensions</b>	44.1" x 15.7" / 1120 x 400mm
<b>Electrical</b>	220V / 60Hz / 1
<b>Lamp Power</b>	35 W
<b>Temperature Range</b>	30 - 70°C / 86 - 158°F
<b>Rated Current</b>	18.1A
<b>Internal Dimensions</b>	44.7" x 21.1" x 51.2" / 1135 x 535 x 1300mm
<b>Net Dimensions</b>	45.8" x 29.4" x 80" / 1164 x 747 x 2032mm
<b>Net Weight</b>	359.4 lbs. / 163 kgs.
<b>Packaging Dimensions</b>	51.2" x 31.5" x 87.8" / 1300 x 800 x 2230mm
<b>Packaging Weight</b>	399 lbs. / 181 kgs.

## Installation

### INSTALLATION

- Place the device on top of an even and safe surface which supports the weight of the device and is not heat sensitive.
- Not at any time should you place the device on an inflammable surface (such as table cloth, carpet, etc).
- You must no position the device near open fireplaces, electric ovens/arc furnaces/electric heaters or other heat sources.
- Position the device in such a way that the plug is easily accessible.

# Operation

---

## OPERATION

- Before first use, clean the inner sides and the playing grids with a soft cloth and a mild cleaning agent. Afterwards, dry the device thoroughly.
- Connect the device to a single grounded power socket.

## SET TEMPERATURE

1. Press "SET" button, the set temperature is displayed.  
Press "UP" or "DOWN" arrows to modify and store the displayed value.  
Press "SET" button to exit the adjustment and display inside temperature of the unit. If no more button is pressed within 10 seconds, the display shows the inside temperature of the unit.
  2. Illumination: press the "LIGHT" button, light is on, press again, light is off.
  3. Heating indicator: during heating, the LED is on, when the temperature inside is constant, the LED is off.
- Set the temperature as required for respective foods. You may adjust the desired temperature in the range between 0 - 70°C (86 - 158°F).
  - The temperature inside of the hot display can be read from the front display.
  - Put the foods in appropriate containers before playing them inside the hot display.
  - Some of the device parts become very hot, always use safety gloves when placing or removing foods.
  - The foods are kept warm at the temperature set by you previously.
  - Switch on the inner light when required using the light switch of the device.
  - Disconnect the device from the power socket when the device is not in use.

# Maintenance

---

- Before beginning with repair or cleaning works make sure the device has been disconnected from the power socket and has cooled down.
- Don't use any acid agents and make sure no water ingresses the device.
- To protect yourself from the electric shock, never immerse the device, its cables and the plug in water or other liquids.
- Don't use any kind of pressure water jet for cleaning the device.

## CLEANING

- The device should be cleaned regularly.
- Clean the device from the inside and outside with a soft, damp cloth and a mild cleaning agent.
- Clean the placing grids and the housing with a soft, damp cloth and a mild cleaning agent.
- Only use a soft cloth and make sure you never use any kind of abrasive agents or pads which could scratch the surface.
- After the cleaning procedure, you should use a soft and dry cloth to wipe dry.
- Make sure the device has been cleaned properly before storing it in a dry place.

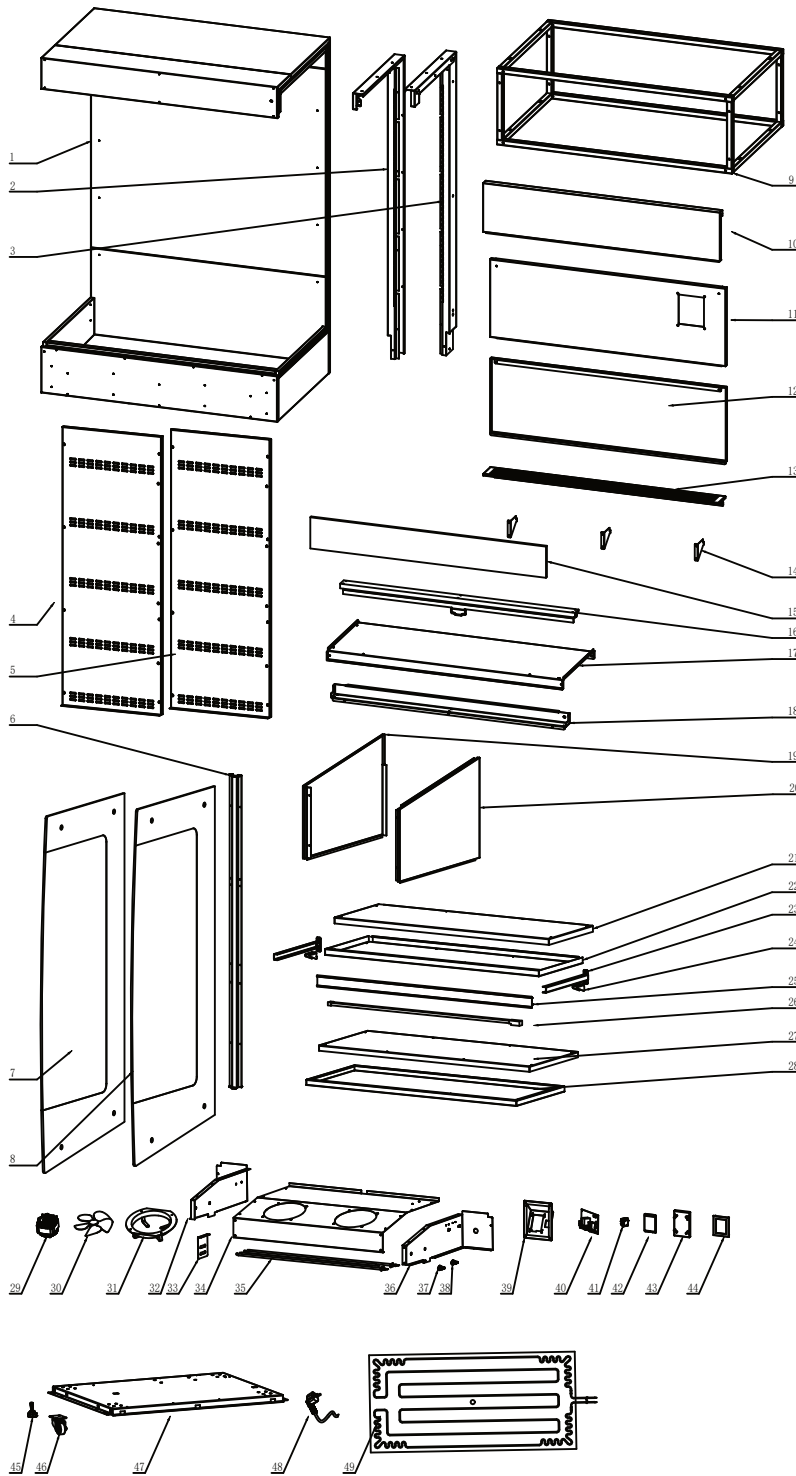


## MAINTENANCE

- Check the main lead from time to time to ensure it is not damaged in any way. Never use the device if the lead is damaged. If the lead is damaged, it must be replaced by a qualified electrician.
- Only a qualified technician should carry out repairs and maintenance of this device. Do not attempt to repair the device by yourself.
- Appliances must be disconnected from their power supply during cleaning or maintenance and when replacing parts.

# Parts Breakdown

**Model DW-CN-1200** 48386



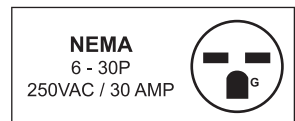
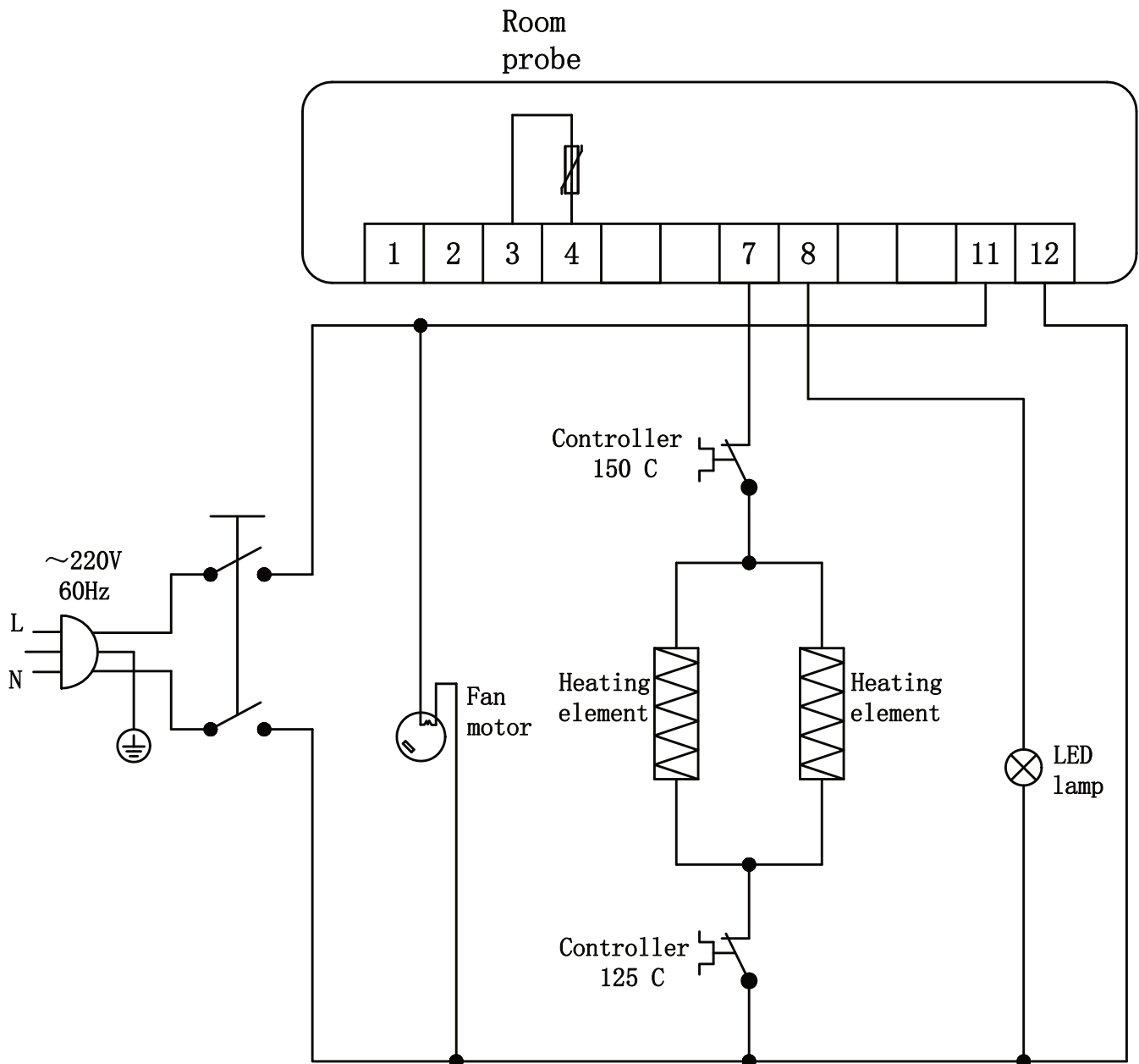
# Parts Breakdown

## Model DW-CN-1200 48386

Item No.	Description	Position	Item No.	Description	Position	Item No.	Description	Position
AU483	Foam Assembly for 48386	1	AU497	Curtain Retaining Plate for 48386	18	AU511	Evaporator Motor Fixing Plate for 48386	34
AU484	Shelf Right Fixing Plate Assembly for 48386	2	AU498	Right Plate for 48386	19	AU512	Heating Tube for 48386	35
AU485	Shelf Left Fixing Plate Assembly for 48386	3	AU499	Left Plate for 48386	20	AU513	Evaporator Left Fixing Plate for 48386	36
AU486	Left Ventilating Board for 48386	4	AU500	Shelf Cover for 48386	21	AU514	Temperature Controller for 48386	37
AU487	Right Ventilating Board for 48386	5	AU501	Shelf Base for 48386	22	AU515	Temperature Controller for 48386	38
AU488	Ventilation Plate Fixing Plate for 48386	6	AU502	Shelf Side Plate for 48386	23	AU516	Switch Panel for 48386	39
AU489	Left Glass for 48386	7	AU503	Shelf Left Stop for 48386	24-1	AU517	Main Board for 48386	40
AU490	Right Glass for 48386	8	AU504	Shelf Right Stop for 48386	24-2	AU375	Switch for 48386	41
AR404	Base Frame for 48386	9	AU505	Price Tag for 48386	25	AU518	Touch Screen for 48386	42
AU491	Front Upper Trim Board for 48386	10	AU506	LED for 48386	26	AU519	Display Panel for 48386	43
AU492	Front and Lower Panel for 48386	11	AU507	Bottom Heating Cover Plate for 48386	27	AU520	Display Fixing Plate for 48386	44
AU493	Rear and Lower Panel for 48386	12	AU508	Bottom Heating Bottom Plate for 48386	28	AR334	Adjustable Foot for 48386	45
AU494	Air Intake Plate for 48386	13	AR432	Motor for 48386	29	AR333	Castor for 48386	46
AR373	Front Fixed Plate for Base Cover for 48386	14	AR354	Fan (Refrigeration) for 48386	30	AR392	Base Plate for 48386	47
AU495	Heat Resistant Panel for 48386	15	AR355	Flange (Refrigeration) for 48386	31	AU521	Power Cord for 48386	48
AR414	Curtain for 48386	16	AU509	Evaporator Right Fixing Plate for 48386	32	AU522	Shelf Silicone Heating Tube for 48386	49
AU496	Top Plate for 48386	17	AU510	Heating Tube Support for 48386	33			

# Electrical Schematics

**Model DW-CN-1200** 48386









# Warranty Registration

Thank you for purchasing an Omcan product. To register your warranty for this product, complete the information below, tear off the card at the perforation and then send to the address specified below. You can also register online by visiting:

Merci d'avoir acheté un produit Omcan. Pour enregistrer votre garantie pour ce produit, complétez les informations ci-dessous, détachez la carte au niveau de la perforation, puis l'envoyer à l'adresse spécifiée ci-dessous. Vous pouvez également vous inscrire en ligne en visitant:

Gracias por comprar un producto Omcan usted. Para registrar su garantía para este producto, complete la información a continuación, cortar la tarjeta en la perforación y luego enviarlo a la dirección indicada a continuación. También puede registrarse en línea en:

<https://omcan.com/warranty-registration/>

For mailing in Canada

Pour postale au Canada

Por correo en Canadá

For mailing in the US

Pour diffusion aux États-Unis

Por correo en los EE.UU.

**OMCAN**

PRODUCT WARRANTY REGISTRATION

3115 Pepper Mill Court,  
Mississauga, Ontario  
Canada, L5L 4X5

**OMCAN**

PRODUCT WARRANTY REGISTRATION

4450 Witmer Industrial Estates, Unit 4,  
Niagara Falls, New York  
USA, 14305

*or email to: [service@omcan.com](mailto:service@omcan.com)*



Purchaser's Information

Name: \_\_\_\_\_

Address: \_\_\_\_\_

City: \_\_\_\_\_ Province or State: \_\_\_\_\_ Postal or Zip: \_\_\_\_\_

Country: \_\_\_\_\_

Dealer from which Purchased: \_\_\_\_\_

Dealer City: \_\_\_\_\_ Dealer Province or State: \_\_\_\_\_

Invoice: \_\_\_\_\_

Model Name: \_\_\_\_\_ Model Number: \_\_\_\_\_

Machine Description: \_\_\_\_\_

Date of Purchase (MM/DD/YYYY): \_\_\_\_\_

Would you like to extend the warranty?  Yes  No

Company Name: \_\_\_\_\_

Telephone: \_\_\_\_\_

Email Address: \_\_\_\_\_

Type of Company:

Restaurant  Bakery  Deli

Butcher  Supermarket  Caterer

Institution (specify): \_\_\_\_\_

Other (specify): \_\_\_\_\_

Serial Number: \_\_\_\_\_

Date of Installation (MM/DD/YYYY): \_\_\_\_\_

**Thank you for choosing Omcan | Merci d'avoir choisi Omcan | Gracias por elegir Omcan**



Since 1951 Omcan has grown to become a leading distributor of equipment and supplies to the North American food service industry. Our success over these many years can be attributed to our commitment to strengthen and develop new and existing relationships with our valued customers and manufacturers. Today with partners in North America, Europe, Asia and South America, we continually work to improve and grow the company. We strive to offer customers exceptional value through our qualified local sales and service representatives who provide convenient access to over 6,500 globally sourced products.

---

Depuis 1951 Omcan a grandi pour devenir un des "leaders" de la distribution des équipements et matériel pour l'industrie des services alimentaires en Amérique du Nord. Notre succès au cours de ces nombreuses années peut être attribué à notre engagement à renforcer et à développer de nouvelles et existantes relations avec nos clients et les fabricants de valeur. Aujourd'hui avec des partenaires en Amérique du Nord, Europe, Asie et Amérique du Sud, nous travaillons continuellement à améliorer et développer l'entreprise. Nous nous efforçons d'offrir à nos clients une valeur exceptionnelle grâce à nos ventes locales qualifiées et des représentants de service qui offrent un accès facile à plus de 6500 produits provenant du monde entier.

---

Desde 1951 Omcan ha crecido hasta convertirse en un líder en la distribución de equipos y suministros de alimentos en América del Norte industria de servicios. Nuestro éxito en estos años se puede atribuir a nuestro compromiso de fortalecer y desarrollar nuevas relaciones existentes con nuestros valiosos clientes y fabricantes. Hoy con socios de América del Norte, Europa, Asia y América del Sur, que trabajan continuamente para mejorar y crecer la empresa. Nos esforzamos por ofrecer a nuestros clientes valor excepcional a través de nuestro local de ventas y representantes de los servicios que proporcionan un fácil acceso a más de 6,500 productos con origen a nivel mundial.

