



Refrigerated Showcases

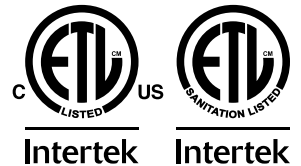
Models RE-CN-0036, 0048, 0060

Items 48561, 48562, 48563

Instruction Manual



Revised - 02/12/2025



Toll Free: 1-800-465-0234
Fax: 905-607-0234
Email: service@omcan.com
www.omcan.com



Table of Contents

Model RE-CN-0036 / Model RE-CN-0048 / Model RE-CN-0060

Section	Page
Disclaimer -----	3
General Information -----	4 - 5
Safety and Warranty -----	5 - 7
Technical Specifications -----	8
Operation -----	9 - 10
Maintenance -----	10 - 11
Troubleshooting -----	11
Parts Breakdown -----	12 - 20
Electrical Schematics -----	21
Notes -----	22
Warranty Registration -----	23

OMCAN IS NOT RESPONSIBLE FOR ANY DAMAGES DUE TO WATER LEAKS. WARRANTY FOR WATER LEAKS IS VOID IF THE AMBIENT ROOM TEMPERATURE EXCEEDS 75°F AND 55% RELATIVE HUMIDITY, AND THE APPLIANCE DRAIN IS NOT CONNECTED DIRECTLY TO A FLOOR DRAIN.

OMCAN N'EST PAS RESPONSABLE DES DOMMAGES DUS AUX FUITES D'EAU. LA GARANTIE POUR LES FUITES D'EAU EST ANNULÉE SI LA TEMPÉRATURE AMBIANTE DE LA PIÈCE DÉPASSE 75°F ET 55% D'HUMIDITÉ RELATIVE, ET SI LE DRAIN DE L'APPAREIL N'EST PAS RACCORDÉ DIRECTEMENT À UN DRAIN DE PLANCHER.

OMCAN NO SE HACE RESPONSABLE DE LOS DAÑOS CAUSADOS POR FUGAS DE AGUA. LA GARANTÍA POR FUGAS DE AGUA QUEDA ANULADA SI LA TEMPERATURA AMBIENTE SUPERA LOS 75°F Y EL 55% DE HUMEDAD RELATIVA, Y EL DESAGÜE DEL APARATO NO ESTÁ CONECTADO DIRECTAMENTE A UN DESAGÜE DE PISO.

General Information

Omcan Manufacturing and Distributing Company Inc., Food Machinery of America, Inc. dba Omcan and Omcan Inc. are not responsible for any harm or injury caused due to any person's improper or negligent use of this equipment. The product shall only be operated by someone over the age of 18, of sound mind, and not under the influence of any drugs or alcohol, who has been trained in the correct operation of this machine, and is wearing authorized, proper safety clothing. Any modification to the machine voids any warranty, and may cause harm to individuals using the machine or in the vicinity of the machine while in operation.

CHECK PACKAGE UPON ARRIVAL

Upon receipt of an Omcan shipment please inspect for external damage. If no damage is evident on the external packaging, open carton to ensure all ordered items are within the box, and there is no concealed damage to the machine. If the package has suffered rough handling, bumps or damage (visible or concealed), please note it on the bill of lading before accepting the delivery and contact Omcan within 24 hours, so we may initiate a claim with the carrier. A detailed report on the extent of the damage caused to the machine must be filled out within three days, from the delivery date shown in the shipping documents. Omcan has no recourse for damaged products that were shipped collect or third party.

Before operating any equipment, always read and familiarize yourself with all operation and safety instructions.

Omcan would like to thank you for purchasing this machine. It's of the utmost importance to save these instructions for future reference. Also save the original box and packaging for shipping the equipment if servicing or returning of the machine is required.

Omcan Fabrication et distribution Compagnie Limité et Food Machinery d'Amérique, dba Omcan et Omcan Inc. ne sont pas responsables de tout dommage ou blessure causé du fait que toute personne ait utilisé cet équipement de façon irrégulière. Le produit ne doit être exploité que par quelqu'un de plus de 18 ans, sain d'esprit, et pas sous l'influence d'une drogue ou d'alcool, qui a été formé pour utiliser cette machine correctement, et est vêtu de vêtements de sécurité appropriés. Toute modification de la machine annule toute garantie, et peut causer un préjudice à des personnes utilisant la machine ou des personnes à proximité de la machine pendant son fonctionnement.

VÉRIFIEZ LE COLIS DÈS RÉCEPTION

Dès réception d'une expédition d'Omcan veuillez inspecter pour dommages externes. Si aucun dommage n'est visible sur l'emballage externe, ouvrez le carton afin de s'assurer que tous les éléments commandés sont dans la boîte, et il n'y a aucun dommage dissimulé à la machine. Si le colis n'a subi aucune mauvaises manipulations, de bosses ou de dommages (visible ou cachée), notez-le sur le bond de livraison avant d'accepter la livraison et contactez Omcan dans les 24 heures qui suivent, pour que nous puissions engager une réclamation auprès du transporteur. Un rapport détaillé sur l'étendue des dommages causés à la machine doit être rempli dans un délai de trois jours, à compter de la date de livraison indiquée dans les documents d'expédition. Omcan n'a aucun droit de recours pour les produits endommagés qui ont été expédiés ou cueillis par un tiers transporteur.

Avant d'utiliser n'importe quel équipement, toujours lire et vous familiariser avec toutes les opérations et les



General Information

consignes de sécurité.

Omcan voudrais vous remercier d'avoir choisi cette machine. Il est primordial de conserver ces instructions pour une référence ultérieure. Également conservez la boîte originale et l'emballage pour l'expédition de l'équipement si l'entretien ou le retour de la machine est nécessaire.

Omcan Empresa De Fabricacion Y Distribucion Inc. Y Maquinaria De Alimentos De America, Inc. dba Omcan y Omcan Inc. no son responsables de ningun daño o perjuicio causado por cualquier persona inadecuada o el uso descuidado de este equipo. El producto solo podra ser operado por una persona mayor de 18 años, en su sano juicio y no bajo alguna influencia de droga o alcohol, y que este ha sido entrenado en el correcto funcionamiento de esta máquina, y ésta usando ropa apropiada y autorizada. Cualquier modificación a la máquina anula la garantía y puede causar daños a las personas usando la máquina mientras esta en el funcionamiento.

REVISE EL PAQUETE A SU LLEGADA

Tras la recepcion de un envio Omcan favor inspeccionar daños externos. Si no hay daños evidentes en el empaque exterior, Habra el carton para asegurarse que todos los articulos solicitados estén dentro de la caja y no encuentre daños ocultos en la máquina. Si el paquete ha sufrido un manejo de poco cuidado, golpes o daños (visible o oculto) por favor anote en la factura antes de aceptar la entrega y contacte Omcan dentro de las 24 horas, de modo que podamos iniciar una reclamación con la compañía. Un informe detallado sobre los daños causados a la máquina debe ser llenado en el plazo de tres días, desde la fecha de entrega que se muestra en los documentos de envío. Omcan no tiene ningun recurso por productos dañados que se enviaron a recoger por terceros.

Antes de utilizar cualquier equipo, siempre lea y familiarizarse con todas las instrucciones de funcionamiento y seguridad.

Omcan le gustaría darle las gracias por la compra de esta máquina. Es de la mayor importancia para salvar estas instrucciones para futuras consultas. Además, guarda la caja original y el embalaje para el envío del equipo si servicio técnico o devolución de la máquina que se requiere.

Safety and Warranty

HANDLING AND INSTALLATION

Handle with care Unplug wall socket before moving. Never tilt the refrigerator over 45 degrees during handling.	Storage Always store the refrigerator in a dry place.
---	---

Safety and Warranty

<p>Sufficient space To allow for proper air circulation and increased refrigeration capabilities, the refrigerator must have at least 4 inches of space between wall and unit.</p>	<p>Proper ventilation Always place the refrigerator in an area with good ventilation. For first time use, wait at least 2 hours before plugging into wall socket.</p>
<p>Away from heat source Never place the refrigerator near any type of heat source or in direct sunlight, as it reduces refrigeration capabilities.</p>	<p>No heavy load Never put heavy items on top of the refrigerator.</p>
<p>No alterations/tampering Never tamper with or make changes to the refrigerator. Changes and add-ons should not be installed to the inside or outside of the refrigerator.</p>	<p>Stable location Unpack and place the refrigerator on flat, solid ground.</p>

PREPARATION AND POWER SUPPLY

<p>Exclusive power outlet Power supply should be 110-120V, single phase AC with exclusive single phase three pin outlet (125V/15A) and fuse. The power outlet must be in close proximity to the ground.</p>	<p>No shared power outlets Refrigerator cable should never share the power outlet with any other appliance, as cable will overheat and may result in a fire.</p>
<p>Protect cables Extra caution should be used when handling cables, as broken or damaged cables can cause sparking and may result in a fire.</p>	<p>No water flushing Never flush the refrigerator surface. This can cause leakage, which may result in electrical damage or fire.</p>
<p>Never store flammables and explosives No explosives or flammables should be stored in, or in proximity to, the refrigerator, such as gasoline, alcohol, and adhesives.</p>	<p>No spray Never spray flammables such as paint or coating near the refrigerator. This may cause fire or malfunction.</p>
<p>After power outage After a power outage or the unplugging of the refrigerator, wait at least 5 minutes before plugging it back in.</p>	<p>No medicine Medicine should not be stored inside of the refrigerator.</p>

RESIDENTIAL USERS: vendor assumes no liability for parts or labor coverage for component failure or other damages resulting from installation in non-commercial or residential applications. The right is reserved to deny shipment for residential usage; if this occurs, you will be notified as soon as possible.

2 YEARS PARTS AND LABOUR & 5 YEARS PARTS ONLY ON COMPRESSOR WARRANTY

Within the warranty period, contact Omcan Inc. at 1-800-465-0234 to schedule an Omcan authorized service technician to repair the equipment locally.

Safety and Warranty

Unauthorized maintenance will void the warranty. Warranty covers electrical and part failures, not improper use.

Please see <https://omcan.com/disclaimer> for complete info.

WARNING:

The packaging components are classified as normal solid urban waste and can therefore be disposed of without difficulty.

In any case, for suitable recycling, we suggest disposing of the products separately (differentiated waste) according to the current norms.

DO NOT DISCARD ANY PACKAGING MATERIALS IN THE ENVIRONMENT!

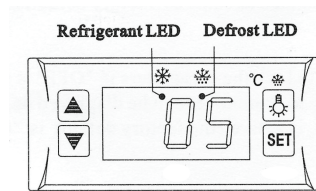
Technical Specifications

Model	RE-CN-0036	RE-CN-0048	RE-CN-0060
Item Number	48561	48562	48563
Power	330 W	380 W	400 W
Capacity	272 L / 9.6 cu.ft.	373 L / 13.17 cu.ft.	474 L / 16.73 cu.ft.
Exterior Material	Glass / Stainless Steel		
Interior Material	Glass / Stainless Steel		
Shelf Material	Glass Drawer		
Shelf Dimensions	29.7" x 12.6" 754 x 321mm	20.5" x 12.6" 521 x 321mm	26.4" x 12.6" 671 x 321mm
Electrical	110V / 60Hz / 1		
Lamp Power	35 W	45 W	55 W
Temperature Range	2 - 8°C / 35.6 - 46.4°F		
Max Ambient Temp Rating	24°C / 75°F		
Noise DB Level	≤55 db		
Refrigerant and Injection	R290 / 110g	R290 / 135g	
Type of Climate	4		
Rated Current	3.5A	3.9A	4A
Foaming Agent	C5H10		
Top Internal Dimensions	30.3" x 22.9" x 10.9" 770 x 581 x 278mm	42.1" x 22.9" x 10.9" 1070 x 581 x 278mm	53.9" x 22.9" x 10.9" 1370 x 581 x 278mm
Bottom Internal Dimensions	32.3" x 27.4" x 10.2" 820 x 695 x 258mm	44.1" x 27.4" x 10.2" 1120 x 695 x 258mm	55.9" x 27.4" x 10.2" 1420 x 695 x 258mm
Net Dimensions	35.4" x 31.5" x 41.5" 900 x 800 x 1055mm	47.2" x 31.5" x 41.5" 1200 x 800 x 1055mm	59.1" x 31.5" x 41.5" 1500 x 800 x 1055mm
Net Weight	288.8 lbs. / 131 kgs.	385.8 lbs. / 175 kgs.	427.7 lbs. / 194 kgs.
Packaging Dimensions	38.2" x 34.3" x 44.7" 970 x 870 x 1135mm	50" x 34.3" x 44.7" 1270 x 870 x 1135mm	61.8" x 34.3" x 44.7" 1570 x 870 x 1135mm
Packaging Weight	395.7 lbs. / 179.5 kgs.	468.5 lbs. / 212.5 kgs.	542.3 lbs. / 246 kgs.

BEFORE USE

- Plug refrigerator into the 110-120V exclusive socket.
- After the refrigerator is running, confirm that air suction/filtration is in order and that it is sufficiently cold. After checking to make sure the refrigerator is working properly, it may be used.

DIGITAL TEMPERATURE CONTROLLER



Small, integrated digital controller, which is applicable to the compressor of 1 HP.

Main functions are: temperature display, temperature control, manual-automatic, light control, value storing, self-testing, parameter locking.

FRONT PANEL OPERATION

1. Set temperature: press **SET** button; set temperature will be displayed. Press **▲** or **▼** button to modify and store the displayed value. Press **SET** button to exit the adjustment and display the cold-room temperature.
2. If no button is pressed within 10 seconds, the cold-room temperature will be displayed.
3. Lighting: press **☺** button to activate light in refrigerator; press again to turn off. Manual start/stop defrost: press **☺** button and hold for 6 seconds to either defrost or to stop defrost.
4. Refrigeration LED: during refrigeration, the LED is on. When the cold room temperature is constant, the LED is off. During delay start, the LED flashes.
5. Defrost LED: during defrosting, the LED is on. When it stops defrosting, the LED is off. During the delay of defrost, the LED flashed.
6. Digital controller reset: when display shows "Disorder", press **▼** button for 2s until buzzer rings, quickly press **▲** button for 6s until buzzer rings again, the display will flash for 3s and it restores factory setting.

CAUTIONS

Shorten the door open time and reduce open frequency is good to keep a cold temperature inside the refrigerator. Never block the air suction and outlet. Keep air circulation and refrigeration capability. Do not make food congested as it will influence the cooling effect. Adjust the rack height for proper food storage. Cool the hot food down to room temperature before you put it into the refrigerator. Try to reduce the open times and keep refrigerator inside cold in case the power is cut off. Only skilled service man is allowed to repair the damaged power cable with special tools. Never touch compressor to avoid from scald. If the supply cord is damaged, it must be replaced by the manufacturer, its service agent or similarly qualified persons in order to avoid a hazard.

This appliance is not intended for use by persons (including children) with reduced physical, sensory or mental capabilities, or lack of experience and knowledge, unless they have been given supervision or instruction

Operation

concerning use of the appliance by a person responsible for their safety. Children should be supervised to ensure that they do not play with the appliance. The operation manual are not suitable for the persons (including children) with reduced physical, sensory or mental capabilities, or lack of experience and knowledge. Do not store explosive substances such as aerosol cans with a flammable propellant in this appliance. During normal operation, the emission noise level does not exceed 70dB(A). The maximum loading of the shelf does not exceed 18kg(39.7lb). The climatic class of the appliance is 4, the units are suggested to be used at 16°C-32°C(60.8°F-89.6°F) ambient temperature. To avoid damages or other problems, this product can not be put or stored with any corrosive food.

WARNING: keep ventilation openings, in the appliance enclosure or in the built-in structure, clear of obstruction.

WARNING: do not use mechanical devices of other means to accelerate the defrosting process, other than those recommended by the manufacturer.

WARNING: do not damage the refrigerant circuit.

WARNING: do not use electrical appliances inside the food storage compartments of the appliance, unless they are of the type recommended by the manufacturer.

ADDITIONAL WARNING

Caution: risk of fire. The height of the triangle in the symbol shall be at least 15mm.

DRAINAGE INSTRUCTION

A warning for full water tank. Please do drainage when controller slowly flashes "FUL" with a beep.

1. The controller makes a beep when water tank is filling.
2. Open the door at the bottom.
3. Hold the tank handle and pull it out entirely.
4. Pour out water by tilting water tank over 90 degree.
5. Insert the empty water tank and close the door.

Do not put your hands inside product when tank is out. Make sure the tank is inserted to the end, otherwise drainage function will be affected. If the tank is not inserted to the end, water sensor can't tell when tank is full.

Maintenance

1. Notice: often keep the refrigerator clean and periodical maintenance is necessary. Always unplug the socket before maintenance. Never use damaged plug or loose socket to prevent from electric shock or short circuit. Never flush the refrigerator. Never use alkali detergent, soap, gasoline, acetone or brush.
2. Clean outside: dip soft cloth in neutral detergent (tableware detergent) to clean the outside of the refrigerator and then wipe it with dry soft cloth.
3. Clean inside: take rack out for cleaning with water. Use soft cloth to wipe the box.
4. Shut down refrigerator for a long time Take all food out and unplug the wall socket. Clean both inside and outside of the refrigerator thoroughly and open the door for sufficient dry. The glass breaks easily. Keep the

Maintenance

glass far from children.

- Replacement of lamp in the light box. If the LED lamp is damaged, it must be replaced by the manufacturer, its service agent.

Troubleshooting

Trouble	Cause and Remedy
No refrigeration.	Is the plug fitting in the socket?
	Is the fuse broken?
	Is there no power?
Unsatisfactory refrigeration.	Is it under sunshine? Is there any heat source nearby?
	Is the surrounding ventilation poor?
	Is the door closed? Is the door open for a long period of time?
	Is the door seal strip deformed or damaged?
	Is there too much food?
	Does food block the air suction or outlet?
	Regulate the temperature controller.
Noisy.	The refrigerator is not level.
	The refrigerator contacts the wall or other matter.
	There is loose part in refrigerator.
Contact Omcan for help if simple troubleshooting does not solve the problems.	

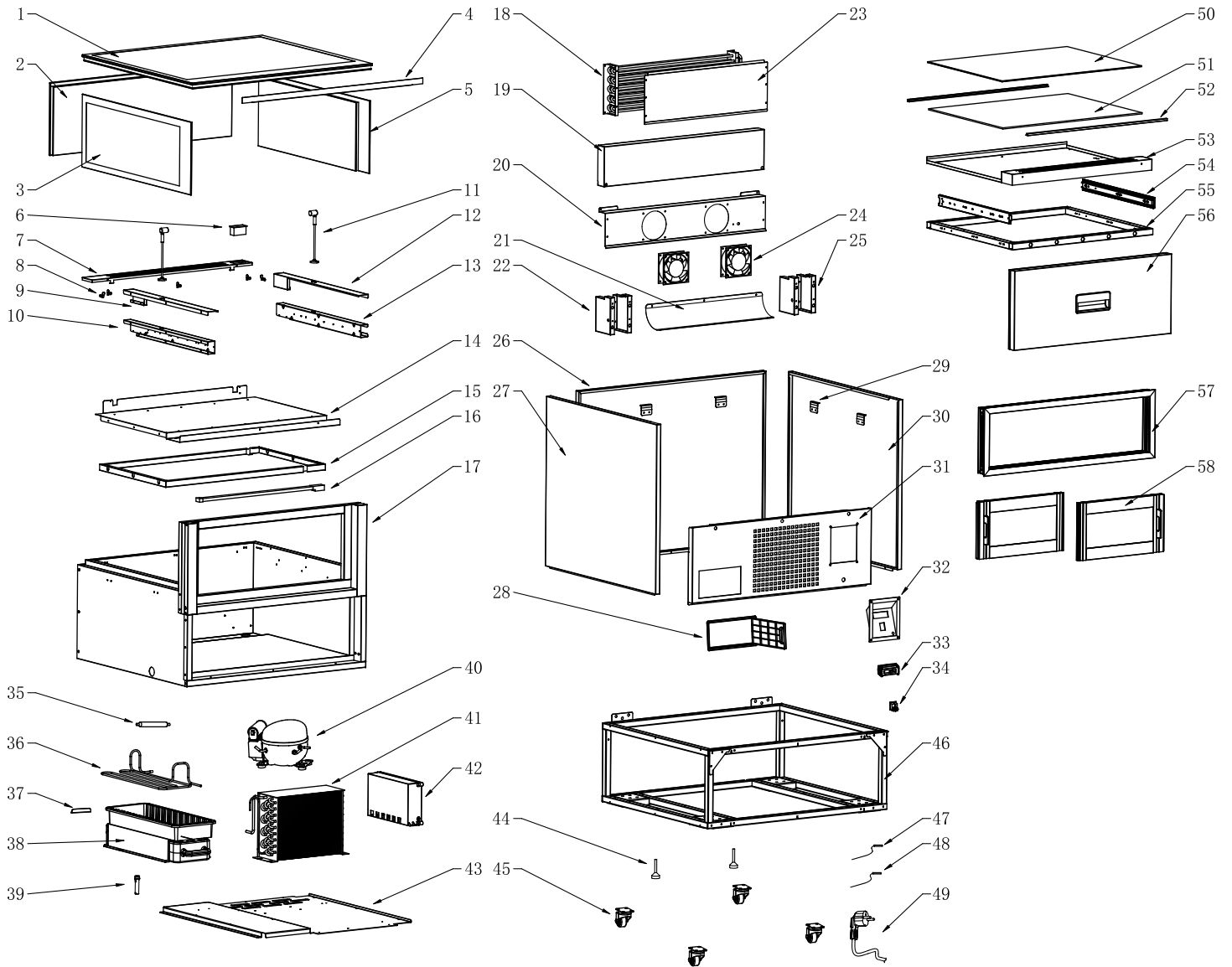
NOTE

Following occurrences are not problems:

- The murmur of water is heard when the refrigerator is working. It is a normal occurrence as the coolant is circulating in the system.
- When the weather is damp, condensation might be found on the outside of the refrigerator. It is caused by high humidity. Simply use cloth to wipe it off.

Parts Breakdown

Model RE-CN-0036 48561





Parts Breakdown

Model RE-CN-0036 48561

Item No.	Description	Position	Item No.	Description	Position	Item No.	Description	Position
AT760	Top Glass for 48562	1	AR383	Fan Motor for 48562	24	AR527	Motor for 48562	41
AT761	Front Glass for 48562	2	AT784	Evaporator Left Windshield for 48562	25	AL828	Condenser Fan for 48562	41
AT762	Right Glass for 48562	3	AT785	Front Frame for 48562	26	AL827	Flange for 48562	41
AT763	Top Glass Trim for 48562	4	AT786	Right Frame for 48562	27	AT807	Junction Box Bottom for 48562	42
AT764	Left Glass for 48562	5	AT787	Water Box Door for 48562	28	AT808	Junction Box Cover for 48562	42
AL835	Front Display for 48562	6	AT788	Water Box Door Body for 48562	28	AT809	Digital Control for 48562	42
AT765	Air Outlet for 48562	7	AT789	Frame Support for 48562	29	AT810	Switch for 48562	42
AT766	Inlet and Outlet Limit for 48562	8	AT790	Left Frame for 48562	30	AT811	Base Plate for 48562	43
AT767	Pull Door Track Right Trim Piece for 48562	9	AT791	Rear Lower Frame for 48562	31	AR334	Adjustable Foot for 48562	44
AT768	Pull Door Track Right Fixed Plate for 48562	10	AT792	Switch Panel for 48562	32	AL824	Caster for 48562	45
AT769	LED Spotlights for 48562	11	AR356	Display for 48562	33	AT812	Base Parts for 48562	46
AT770	Pull Door Track Left Trim Piece for 48562	12	AL834	Switch for 48562	34	AT813	Box Base Left Connector for 48562	46
AT771	Pull Door Track Left Fixed Plate for 48562	13	AT793	Dry Filter for 48562	35	AT814	Box Base Right Connector for 48562	46
AT772	Top Trim Cover for 48562	14	AT794	High Pressure Vaporized Copper Pipe for 48562	36	AT815	Box Base Connector for 48562	46
AT773	Top Trim for 48562	15	AT795	Water Storage Box Baffle for 48562	37	AR273	Temp Probe for 48562	47
AT774	LED for 48562	16	AT796	Water Box for 48562	38	AR274	Overheating Probe for 48562	48
AT775	Box Foam Assembly for 48562	17	AT797	Cover Plate for 48562	38	AT816	American Semi-Finished Power Cord for 48562	49
AL817	Water Leakage Pipe for 48562	17	AT798	Water Storage Box for 48562	38	AT817	Light Guide Plate Glass for 48562	50
AT776	Drain Pipe Connection for 48562	17	AT799	Magnetic Door Contact for 48562	38	AT818	Light Guide Plate for 48562	51
AT777	Drain Pipe Clamp for 48562	17	AT800	Water Box Left Fixing Plate for 48562	38	AT819	Light Guide Plate Light Bar Fastener for 48562	52
AR345	Nut for 48562	17	AT801	Water Box Cover Fixing Plate for 48562	38	AT820	LED for 48562	52
AT778	Evaporator for 48562	18	AT802	Water Box Cover Plate for 48562	38	AT821	Light Guide Plate Placement Plate for 48562	53
AT779	Evaporator Front Trim Plate for 48562	19	AT803	Water Level Monitoring Pipe for 48562	39	AT822	Sliding Rail for 48562	54
AT780	Motor Fixing Plate for 48562	20	AT804	Water Level Monitoring Diversion Device for 48562	39	AT823	Door Slide Rail Assembly for 48562	55
AT781	Air Deflector for 48562	21	AT805	Water Level Monitoring Sleeve for 48562	39	AT824	Door Foam Assembly for 48562	56
AT782	Evaporator Right Windshield for 48562	22	AT806	Compressor for 48562	40	AT825	Door Gasket for 48562	56
AT783	Evaporator Fixing Plate for 48562	23	AL812	Condenser for 48562	41	AT826	Sliding Door Left Trim for 48562	56

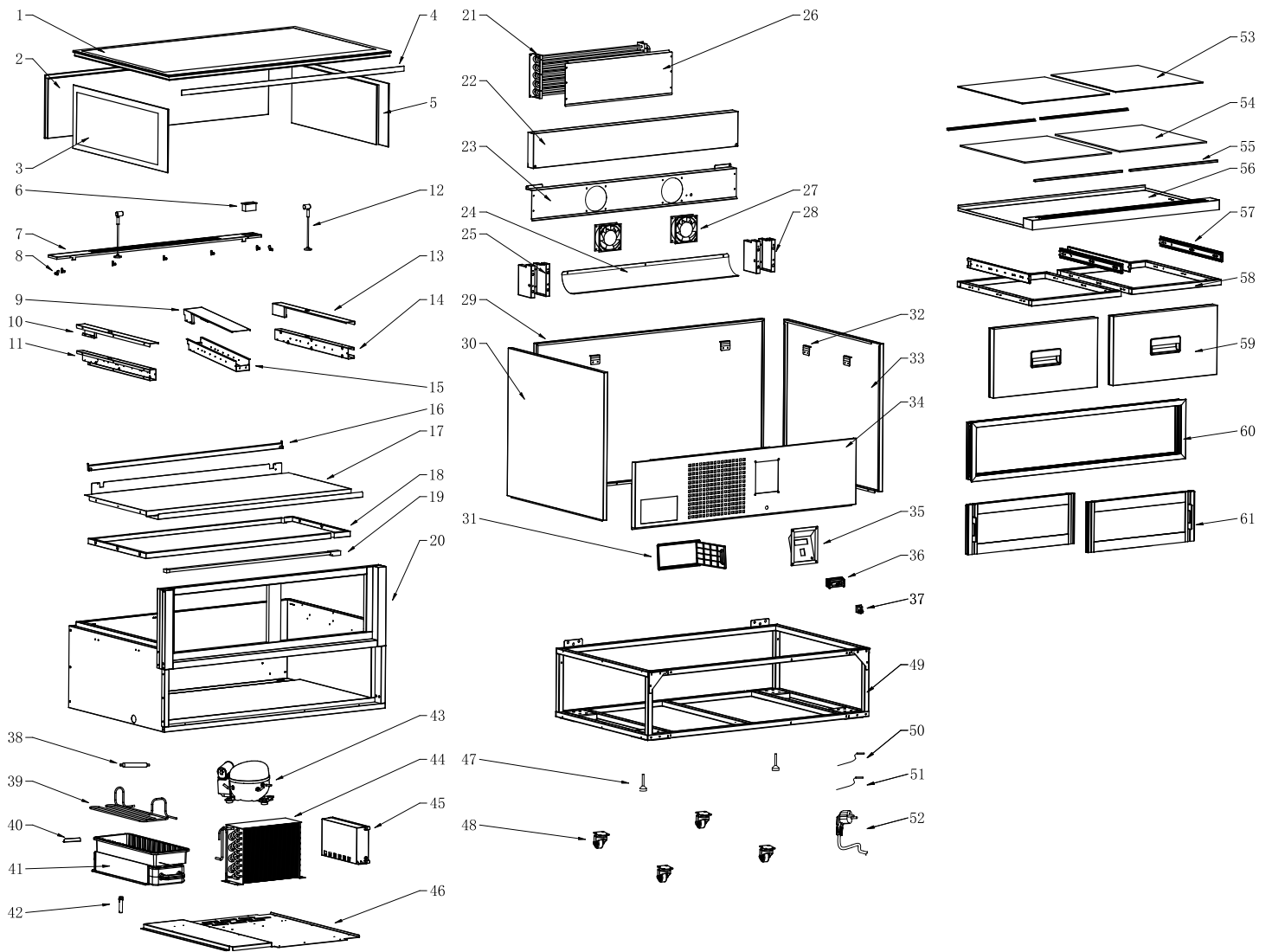
Parts Breakdown

Model RE-CN-0036 48561

Item No.	Description	Position	Item No.	Description	Position	Item No.	Description	Position
AT827	Sliding Door Right Trim for 48562	56	AT832	Door Frame Connector for 48562	57	AT837	Pulley for 48562	58
AT828	Upper and Lower Door Beam for 48562	57	AT833	Door Frame Fixed Part for 48562	57	AT838	Handle for 48562	58
AT829	Left and Right Door Beam for 48562	57	AT834	Upper and Lower Door Frame for 48562	58	AT839	Gate Magnetic Strip for 48562	58
AT830	Door Frame Block for 48562	57	AT835	Side Door Frame for 48562	58	AT840	Door Glass for 48562	58
AT831	Door Suction Boar for 48562	57	AT836	Side Handle for 48562	58			

Parts Breakdown

Model RE-CN-0048 48562



Parts Breakdown

Model RE-CN-0048 48562

Item No.	Description	Position	Item No.	Description	Position	Item No.	Description	Position
AT841	Top Glass for 48562	1	AT854	Air Deflector for 48562	24	AT805	Water Level Monitoring Sleeve for 48562	42
AT842	Front Glass for 48562	2	AT782	Evaporator Right Windshield for 48562	25	AT806	Compressor for 48562	43
AT762	Right Glass for 48562	3	AT855	Evaporator Fixing Plate for 48562	26	AL812	Condenser for 48562	44
AT843	Top Glass Trim for 48562	4	AR383	Fan Motor for 48562	27	AL828	Condenser Fan for 48562	44
AT764	Left Glass for 48562	5	AT784	Evaporator Left Windshield for 48562	28	AL827	Flange for 48562	44
AL835	Front Display for 48562	6	AT856	Front Frame for 48562	29	AR527	Motor for 48562	44
AT844	Air Outlet for 48562	7	AT786	Right Frame for 48562	30	AT807	Junction Box Bottom for 48562	45
AT766	Intel and Outlet Limit for 48562	8	AT787	Water Box Door for 48562	31	AT808	Junction Box Cover for 48562	45
AT845	Pull Door Track Trim Piece for 48562	9	AT788	Water Box Door Body for 48562	31	AT809	Digital Control for 48562	45
AT767	Pull Door Track Right Trim Piece for 48562	10	AT789	Frame Support for 48562	32	AT810	Switch for 48562	45
AT768	Pull Door Track Right Fixed Plate for 48562	11	AT790	Left Frame for 48562	33	AT811	Base Plate for 48562	46
AT769	LED Spotlights for 48562	12	AT857	Rear Lower Frame for 48562	34	AR334	Adjustable Foot for 48562	47
AT770	Pull Door Track Left Trim Piece for 48562	13	AT792	Switch Panel for 48562	35	AL824	Casters for 48562	48
AT771	Pull Door Track Left Fixed Plate for 48562	14	AR356	Display for 48562	36	AT815	Box Base Connector for 48562	49
AT846	Pull Door Track Fixed Plate for 48562	15	AL834	Switch for 48562	37	AT858	Base Parts for 48562	49
AT847	Pull Door Track Support for 48562	16	AT793	Dry Filter for 48562	38	AT813	Box Base Left Connector for 48562	49
AT848	Top Trim Cover for 48562	17	AT794	High Pressure Vaporized Copper Pipe for 48562	39	AT814	Box Base Right Connector for 48562	49
AT849	Top Trim for 48562	18	AT795	Water Storage Box Baffle for 48562	40	AR273	Temp Probe for 48562	50
AL791	LED for 48562	19	AT800	Water Box Left Fixing Plate for 48562	41	AR274	Overheating Probe for 48562	51
AT850	Box Foam Assembly for 48562	20	AT801	Water Box Right Fixing Plate for 48562	41	AT816	American Semi-Finished Power Cord for 48562	52
AR345	Nut for 48562	20	AT802	Water Box Cover Plate for 48562	41	AT859	Light Guide Plate Glass for 48562	53
AT777	Drain Pipe Clamp for 48562	20	AT796	Water Box for 48562	41	AT860	Light Guide Plate for 48562	54
AT776	Drain Pipe Connection for 48562	20	AT798	Water Storage Box for 48562	41	AT861	Light Guide Plate Light Bar Fastener for 48562	55
AL817	Water Leakage Pipe for 48562	20	AT797	Cover Plate for 48562	41	AT862	LED for 48562	55
AT851	Evaporator for 48562	21	AT799	Magnetic Door Contact for 48562	41	AT863	Light Guide Plate Placement Plate for 48562	56
AT852	Evaporator Front Trim Plate for 48562	22	AT803	Water Level Monitoring Pipe for 48562	42	AT822	Sliding Rail for 48562	57
AT853	Motor Fixing Plate for 48562	23	AT804	Water Level Monitoring Diversion Device for 48562	42	AT864	Door Slide Rail Assembly for 48562	58

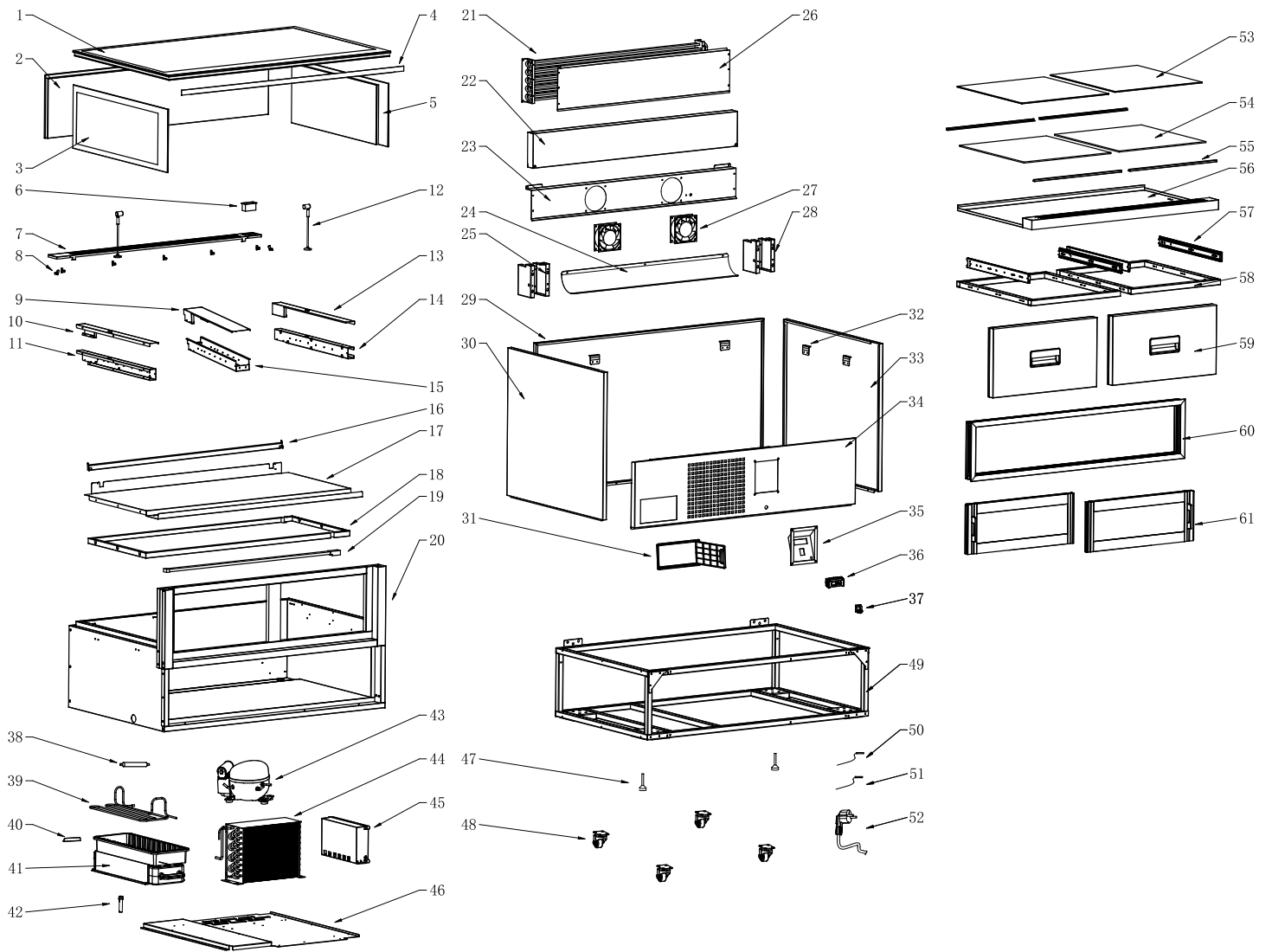
Parts Breakdown

Model RE-CN-0048 48562

Item No.	Description	Position	Item No.	Description	Position	Item No.	Description	Position
AT865	Door Gasket for 48562	59	AT866	Upper and Lower Door Beam for 48562	60	AT867	Upper and Lower Door Frame for 48562	61
AT826	Sliding Door Left Trim for 48562	59	AT829	Left and Right Door Beam for 48562	60	AT835	Side Door Frame for 48562	61
AT827	Sliding Door Right Trim for 48562	59	AT830	Door Frame Block for 48562	60	AT836	Side Handle for 48562	61
AT832	Door Frame Connector for 48562	60	AT839	Gate Magnetic Strip for 48562	61	AT868	Door Glass for 48562	61
AT833	Door Frame Fixed Part for 48562	60	AT838	Handle for 48562	61			
AT831	Door Suction Bar for 48562	60	AT837	Pulley for 48562	61			

Parts Breakdown

Model RE-CN-0060 48563





Parts Breakdown

Model RE-CN-0060 48563

Item No.	Description	Position	Item No.	Description	Position	Item No.	Description	Position
AT869	Top Glass for 48563	1	AT854	Air Deflector for 48563	24	AT805	Water Level Monitoring Sleeve for 48563	42
AT870	Front Glass for 48563	2	AT782	Evaporator Right Windshield for 48563	25	AT806	Compressor for 48563	43
AT762	Right Glass for 48563	3	AT855	Evaporator Fixing Plate for 48563	26	AL812	Condenser for 48563	44
AT871	Top Glass Trim for 48563	4	AR383	Fan Motor for 48563	27	AR527	Motor for 48563	44
AT764	Left Glass for 48563	5	AT784	Evaporator Left Windshield for 48563	28	AL828	Condenser Fan for 48563	44
AT872	Front Display for 48563	6	AT881	Front Frame for 48563	29	AL827	Flange for 48563	44
AT873	Air Outlet for 48563	7	AT786	Right Frame for 48563	30	AT807	Junction Box Bottom for 48563	45
AT766	Inlet and Outlet Limit for 48563	8	AT787	Water Box Door for 48563	31	AT808	Junction Box Cover for 48563	45
AT845	Pull Door Track Trim Piece for 48563	9	AT788	Water Box Door Body for 48563	31	AT809	Digital Control for 48563	45
AT767	Pull Door Track Right Trim Piece for 48563	10	AT789	Frame Support for 48563	32	AT810	Switch for 48563	45
AT768	Pull Door Track Right Fixed Plate for 48563	11	AT790	Left Frame for 48563	33	AT811	Base Plate for 48563	46
AT769	LED Spotlights for 48563	12	AT882	Rear Lower Frame for 48563	34	AR334	Adjustable Foot for 48563	47
AT770	Pull Door Track Left Trim Piece for 48563	13	AT792	Switch Panel for 48563	35	AL824	Caster for 48563	48
AT771	Pull Door Track Left Fixed Plate for 48563	14	AR356	Display for 48563	36	AT883	Base Parts for 48563	49
AT846	Pull Door Track Fixed Plate for 48563	15	AL834	Switch for 48563	37	AT813	Box Base Left Connector for 48563	49
AT874	Pull Door Track Support for 48563	16	AT793	Dry Filter for 48563	38	AT814	Box Base Right Connector for 48563	49
AT875	Top Trim Cover for 48563	17	AT794	High Pressure Vaporized Copper Pipe for 48563	39	AT815	Box Base Connector for 48563	49
AT876	Top Trim for 48563	18	AT795	Water Storage Box Baffle for 48563	40	AR273	Temp Probe for 48563	50
AT877	LED for 48563	19	AT796	Water Box for 48563	41	AR274	Overheating Probe for 48563	51
AT878	Box Foam Assembly for 48563	20	AT797	Cover Plate for 48563	41	AT816	American Semi-Finished Power Cord for 48563	52
AL817	Water Leakage Pipe for 48563	20	AT798	Water Storage Box for 48563	41	AT884	Light Guide Plate Glass for 48563	53
AT776	Drain Pipe Connection for 48563	20	AT799	Magnetic Door Contact for 48563	41	AT885	Light Guide Plate for 48563	54
AT777	Drain Pipe Clamp for 48563	20	AT800	Water Box Left Fixing Plate for 48563	41	AT886	Light Guide Plate Light Bar Fastener for 48563	55
AR345	Nut for 48563	20	AT801	Water Box Cover Fixing Plate for 48563	41	AT887	LED for 48563	55
AT851	Evaporator for 48563	21	AT802	Water Box Cover Plate for 48563	41	AT888	Light Guide Plate Placement Plate for 48563	56
AT879	Evaporator Front Trim Plate for 48563	22	AT803	Water Level Monitoring Pipe for 48563	42	AT822	Sliding Rail for 48563	57
AT880	Motor Fixing Plate for 48563	23	AT804	Water Level Monitoring Diversion Device for 48563	42	AT889	Door Slide Rail Assembly for 48563	58

Parts Breakdown

Model RE-CN-0060 48563

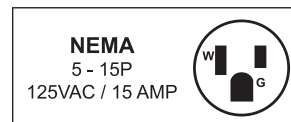
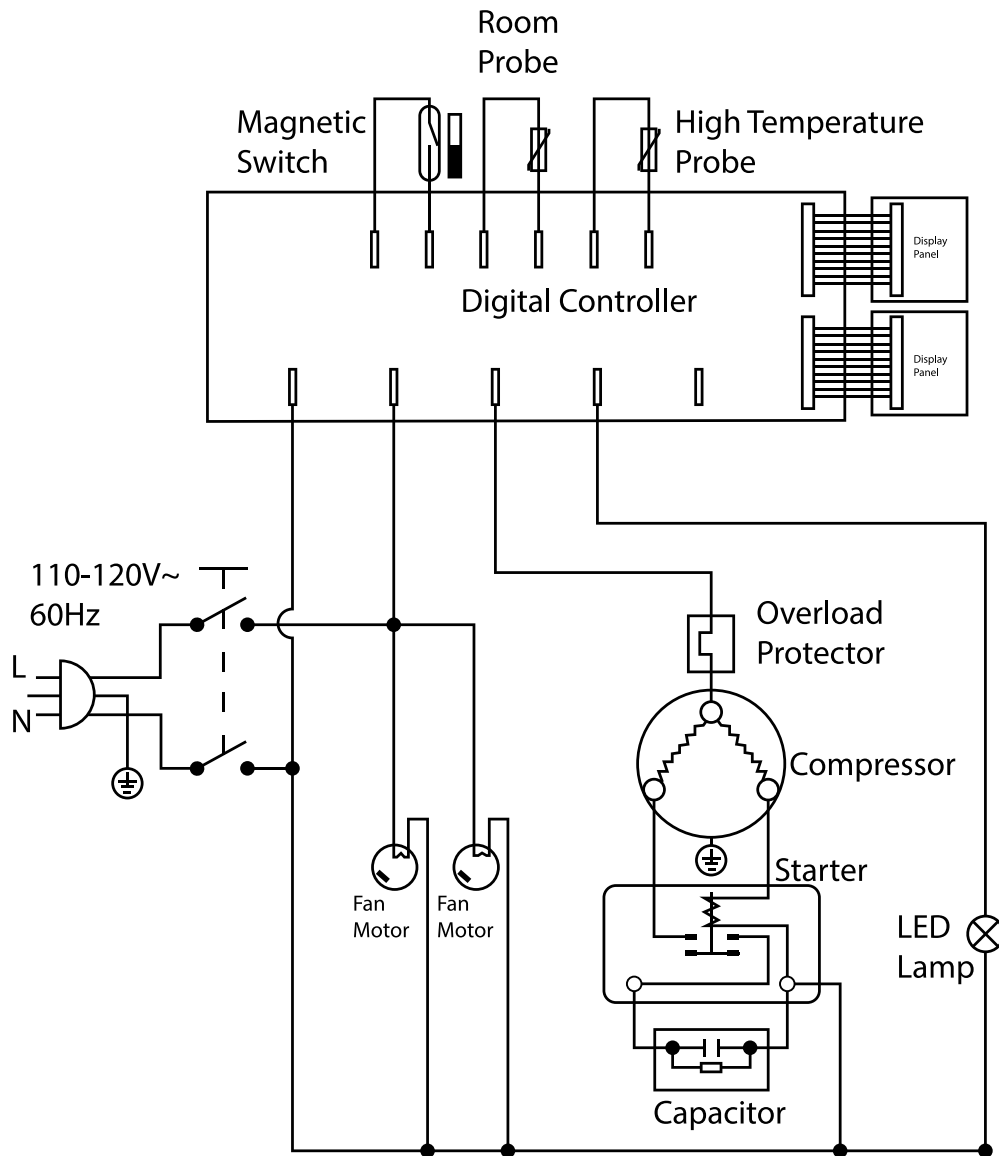
Item No.	Description	Position	Item No.	Description	Position	Item No.	Description	Position
AT890	Door Foam Assembly for 48563	59	AT830	Door Frame Block for 48563	60	AT836	Side Handle for 48563	61
AT891	Door Gasket for 48563	59	AT831	Door Suction Bar for 48563	60	AT837	Pulley for 48563	61
AT826	Sliding Door Left Trim for 48563	59	AT832	Door Frame Connector for 48563	60	AT838	Handle for 48563	61
AT827	Sliding Door Right Trim for 48563	59	AT833	Door Frame Fixed Part for 48563	60	AT839	Gate Magnetic Strip for 48563	61
AT892	Upper and Lower Door Beam for 48563	60	AT893	Upper and Lower Door Frame for 48563	61	AT894	Door Glass for 48563	61
AT829	Left and Right Door Beam for 48563	60	AT835	Side Door Frame for 48563	61			

Electrical Schematics

Model RE-CN-0036 48561

Model RE-CN-0048 48562

Model RE-CN-0060 48563



Notes



Warranty Registration

Thank you for purchasing an Omcan product. To register your warranty for this product, complete the information below, tear off the card at the perforation and then send to the address specified below. You can also register online by visiting:

Merci d'avoir acheté un produit Omcan. Pour enregistrer votre garantie pour ce produit, complétez les informations ci-dessous, détachez la carte au niveau de la perforation, puis l'envoyer à l'adresse spécifiée ci-dessous. Vous pouvez également vous inscrire en ligne en visitant:

Gracias por comprar un producto Omcan usted. Para registrar su garantía para este producto, complete la información a continuación, cortar la tarjeta en la perforación y luego enviarlo a la dirección indicada a continuación. También puede registrarse en línea en:

<https://omcan.com/warranty-registration/>

For mailing in Canada

Pour postale au Canada

Por correo en Canadá

For mailing in the US

Pour diffusion aux États-Unis

Por correo en los EE.UU.

OMCAN

PRODUCT WARRANTY REGISTRATION

3115 Pepper Mill Court,
Mississauga, Ontario
Canada, L5L 4X5

OMCAN

PRODUCT WARRANTY REGISTRATION

4450 Witmer Industrial Estates, Unit 4,
Niagara Falls, New York
USA, 14305

or email to: service@omcan.com



Purchaser's Information

Name: _____

Address: _____

City: _____ Province or State: _____ Postal or Zip: _____

Country: _____

Dealer from which Purchased: _____

Dealer City: _____ Dealer Province or State: _____

Invoice: _____

Model Name: _____ Model Number: _____

Machine Description: _____

Date of Purchase (MM/DD/YYYY): _____

Would you like to extend the warranty? Yes No

Company Name: _____

Telephone: _____

Email Address: _____

Type of Company:

Restaurant Bakery Deli

Butcher Supermarket Caterer

Institution (specify): _____

Other (specify): _____

Serial Number: _____

Date of Installation (MM/DD/YYYY): _____

Thank you for choosing Omcan | Merci d'avoir choisi Omcan | Gracias por elegir Omcan



Since 1951 Omcan has grown to become a leading distributor of equipment and supplies to the North American food service industry. Our success over these many years can be attributed to our commitment to strengthen and develop new and existing relationships with our valued customers and manufacturers. Today with partners in North America, Europe, Asia and South America, we continually work to improve and grow the company. We strive to offer customers exceptional value through our qualified local sales and service representatives who provide convenient access to over 6,500 globally sourced products.

Depuis 1951 Omcan a grandi pour devenir un des "leaders" de la distribution des équipements et matériel pour l'industrie des services alimentaires en Amérique du Nord. Notre succès au cours de ces nombreuses années peut être attribué à notre engagement à renforcer et à développer de nouvelles et existantes relations avec nos clients et les fabricants de valeur. Aujourd'hui avec des partenaires en Amérique du Nord, Europe, Asie et Amérique du Sud, nous travaillons continuellement à améliorer et développer l'entreprise. Nous nous efforçons d'offrir à nos clients une valeur exceptionnelle grâce à nos ventes locales qualifiées et des représentants de service qui offrent un accès facile à plus de 6500 produits provenant du monde entier.

Desde 1951 Omcan ha crecido hasta convertirse en un líder en la distribución de equipos y suministros de alimentos en América del Norte industria de servicios. Nuestro éxito en estos años se puede atribuir a nuestro compromiso de fortalecer y desarrollar nuevas relaciones existentes con nuestros valiosos clientes y fabricantes. Hoy con socios de América del Norte, Europa, Asia y América del Sur, que trabajan continuamente para mejorar y crecer la empresa. Nos esforzamos por ofrecer a nuestros clientes valor excepcional a través de nuestro local de ventas y representantes de los servicios que proporcionan un fácil acceso a más de 6,500 productos con origen a nivel mundial.

