



## Refrigerated Showcases

Models RE-CN-185B, 255B, 325B

Items 48564, 48565, 48566

## Instruction Manual



*Revised - 03/18/2025*



Toll Free: 1-800-465-0234  
Fax: 905-607-0234  
Email: [service@omcan.com](mailto:service@omcan.com)  
[www.omcan.com](http://www.omcan.com)



# Table of Contents

Model RE-CN-185B / Model RE-CN-255B / Model RE-CN-325B

---

<b>Section</b>	<b>Page</b>
Disclaimer -----	3
General Information -----	4 - 5
Safety and Warranty -----	6 - 7
Technical Specifications -----	8
Operation -----	9 - 10
Maintenance -----	10
Troubleshooting -----	11
Parts Breakdown -----	12 - 17
Electrical Schematics -----	18
Warranty Registration -----	19

*OMCAN IS NOT RESPONSIBLE FOR ANY DAMAGES DUE TO WATER LEAKS. WARRANTY FOR WATER LEAKS IS VOID IF THE AMBIENT ROOM TEMPERATURE EXCEEDS 75°F AND 55% RELATIVE HUMIDITY, AND THE APPLIANCE DRAIN IS NOT CONNECTED DIRECTLY TO A FLOOR DRAIN.*

---

*OMCAN N'EST PAS RESPONSABLE DES DOMMAGES DUS AUX FUITES D'EAU. LA GARANTIE POUR LES FUITES D'EAU EST ANNULÉE SI LA TEMPÉRATURE AMBIANTE DE LA PIÈCE DÉPASSE 75°F ET 55% D'HUMIDITÉ RELATIVE, ET SI LE DRAIN DE L'APPAREIL N'EST PAS RACCORDÉ DIRECTEMENT À UN DRAIN DE PLANCHER.*

---

*OMCAN NO SE HACE RESPONSABLE DE LOS DAÑOS CAUSADOS POR FUGAS DE AGUA. LA GARANTÍA POR FUGAS DE AGUA QUEDA ANULADA SI LA TEMPERATURA AMBIENTE SUPERA LOS 75°F Y EL 55% DE HUMEDAD RELATIVA, Y EL DESAGÜE DEL APARATO NO ESTÁ CONECTADO DIRECTAMENTE A UN DESAGÜE DE PISO.*

# General Information

---

Omcan Manufacturing and Distributing Company Inc., Food Machinery of America, Inc. dba Omcan and Omcan Inc. are not responsible for any harm or injury caused due to any person's improper or negligent use of this equipment. The product shall only be operated by someone over the age of 18, of sound mind, and not under the influence of any drugs or alcohol, who has been trained in the correct operation of this machine, and is wearing authorized, proper safety clothing. Any modification to the machine voids any warranty, and may cause harm to individuals using the machine or in the vicinity of the machine while in operation.

## CHECK PACKAGE UPON ARRIVAL

Upon receipt of an Omcan shipment please inspect for external damage. If no damage is evident on the external packaging, open carton to ensure all ordered items are within the box, and there is no concealed damage to the machine. If the package has suffered rough handling, bumps or damage (visible or concealed), please note it on the bill of lading before accepting the delivery and contact Omcan within 24 hours, so we may initiate a claim with the carrier. A detailed report on the extent of the damage caused to the machine must be filled out within three days, from the delivery date shown in the shipping documents. Omcan has no recourse for damaged products that were shipped collect or third party.

**Before operating any equipment, always read and familiarize yourself with all operation and safety instructions.**

Omcan would like to thank you for purchasing this machine. It's of the utmost importance to save these instructions for future reference. Also save the original box and packaging for shipping the equipment if servicing or returning of the machine is required.

---

**Omcan Fabrication et distribution Compagnie Limitée et Food Machinery d'Amérique, dba Omcan et Omcan Inc. ne sont pas responsables de tout dommage ou blessure causé du fait que toute personne ait utilisé cet équipement de façon irrégulière. Le produit ne doit être exploité que par quelqu'un de plus de 18 ans, saine d'esprit, et pas sous l'influence d'une drogue ou d'alcool, qui a été formé pour utiliser cette machine correctement, et est vêtu de vêtements de sécurité appropriés. Toute modification de la machine annule toute garantie, et peut causer un préjudice à des personnes utilisant la machine ou des personnes à proximité de la machine pendant son fonctionnement.**

## VÉRIFIEZ LE COLIS DÈS RÉCEPTION

Dès réception d'une expédition d'Omcan veuillez inspecter pour dommages externes. Si aucun dommage n'est visible sur l'emballage externe, ouvrez le carton afin de s'assurer que tous les éléments commandés sont dans la boîte, et il n'y a aucun dommage dissimulé à la machine. Si le colis n'a subi aucune mauvaises manipulations, de bosses ou de dommages (visible ou cachée), notez-le sur le bond de livraison avant d'accepter la livraison et contactez Omcan dans les 24 heures qui suivent, pour que nous puissions engager une réclamation auprès du transporteur. Un rapport détaillé sur l'étendue des dommages causés à la machine doit être rempli dans un délai de trois jours, à compter de la date de livraison indiquée dans les documents d'expédition. Omcan n'a aucun droit de recours pour les produits endommagés qui ont été expédiés ou cueillis par un tiers transporteur.

**Avant d'utiliser n'importe quel équipement, toujours lire et vous familiariser avec toutes les opérations et les**

# General Information

---

consignes de sécurité.

Omcan voudrais vous remercier d'avoir choisi cette machine. Il est primordial de conserver ces instructions pour une référence ultérieure. Également conservez la boîte originale et l'emballage pour l'expédition de l'équipement si l'entretien ou le retour de la machine est nécessaire.

Omcan Empresa De Fabricacion Y Distribucion Inc. Y Maquinaria De Alimentos De America, Inc. dba Omcan y Omcan Inc. no son responsables de ningun daño o perjuicio causado por cualquier persona inadecuada o el uso descuidado de este equipo. El producto solo podra ser operado por una persona mayor de 18 años, en su sano juicio y no bajo alguna influencia de droga o alcohol, y que este ha sido entrenado en el correcto funcionamiento de esta máquina, y ésta usando ropa apropiada y autorizada. Cualquier modificación a la máquina anula la garantía y puede causar daños a las personas usando la máquina mientras esta en el funcionamiento.

## REVISE EL PAQUETE A SU LLEGADA

Tras la recepcion de un envio Omcan favor inspeccionar daños externos. Si no hay daños evidentes en el empaque exterior, Habra el carton para asegurarse que todos los articulos solicitados estén dentro de la caja y no encuentre daños ocultos en la máquina. Si el paquete ha sufrido un manejo de poco cuidado, golpes o daños (visible o oculto) por favor anote en la factura antes de aceptar la entrega y contacte Omcan dentro de las 24 horas, de modo que podamos iniciar una reclamación con la compañía. Un informe detallado sobre los daños causados a la máquina debe ser llenado en el plazo de tres días, desde la fecha de entrega que se muestra en los documentos de envío. Omcan no tiene ningun recurso por productos dañados que se enviaron a recoger por terceros.

**Antes de utilizar cualquier equipo, siempre lea y familiarizarse con todas las instrucciones de funcionamiento y seguridad.**

Omcan le gustaría darle las gracias por la compra de esta máquina. Es de la mayor importancia para salvar estas instrucciones para futuras consultas. Además, guarda la caja original y el embalaje para el envío del equipo si servicio técnico o devolución de la máquina que se requiere.

# Safety and Warranty

## HANDLING AND INSTALLATION

<p><b>Handle with care</b> Unplug wall socket before moving. Never tilt the refrigerator over 45 degrees during handling.</p>	<p><b>Storage</b> Always store the refrigerator in a dry place.</p>
<p><b>Sufficient space</b> To allow for proper air circulation and increased refrigeration capabilities, the refrigerator must have at least 4 inches of space between wall and unit.</p>	<p><b>Proper ventilation</b> Always place the refrigerator in an area with good ventilation. For first time use, wait at least 2 hours before plugging into wall socket.</p>
<p><b>Away from heat source</b> Never place the refrigerator near any type of heat source or in direct sunlight, as it reduces refrigeration capabilities.</p>	<p><b>No heavy load</b> Never put heavy items on top of the refrigerator.</p>
<p><b>No alterations/tampering</b> Never tamper with or make changes to the refrigerator. Changes and add-ons should not be installed to the inside or outside of the refrigerator.</p>	<p><b>Stable location</b> Unpack and place the refrigerator on flat, solid ground.</p>

## PREPARATION AND POWER SUPPLY

<p><b>Exclusive power outlet</b> Power supply should be 110-120V, single phase AC with exclusive single phase three pin outlet (125V/15A) and fuse. The power outlet must be in close proximity to the ground.</p>	<p><b>No shared power outlets</b> Refrigerator cable should never share the power outlet with any other appliance, as cable will overheat and may result in a fire.</p>
<p><b>Protect cables</b> Extra caution should be used when handling cables, as broken or damaged cables can cause sparking and may result in a fire.</p>	<p><b>No water flushing</b> Never flush the refrigerator surface. This can cause leakage, which may result in electrical damage or fire.</p>
<p><b>Never store flammables and explosives</b> No explosives or flammables should be stored in, or in proximity to, the refrigerator, such as gasoline, alcohol, and adhesives.</p>	<p><b>No spray</b> Never spray flammables such as paint or coating near the refrigerator. This may cause fire or malfunction.</p>
<p><b>After power outage</b> After a power outage or the unplugging of the refrigerator, wait at least 5 minutes before plugging it back in.</p>	<p><b>No medicine</b> Medicine should not be stored inside of the refrigerator.</p>

**RESIDENTIAL USERS: vendor assumes no liability for parts or labor coverage for component failure or other damages resulting from installation in non-commercial or residential applications. The right is reserved to deny shipment for residential usage; if this occurs, you will be notified as soon as possible.**



# Safety and Warranty

---

## **2 YEARS PARTS AND LABOUR & 5 YEARS PARTS ONLY ON COMPRESSOR WARRANTY**

Within the warranty period, contact Omcan Inc. at 1-800-465-0234 to schedule an Omcan authorized service technician to repair the equipment locally.

Unauthorized maintenance will void the warranty. Warranty covers electrical and part failures, not improper use.

Please see <https://omcan.com/disclaimer> for complete info.

### **WARNING:**

The packaging components are classified as normal solid urban waste and can therefore be disposed of without difficulty.

In any case, for suitable recycling, we suggest disposing of the products separately (differentiated waste) according to the current norms.

**DO NOT DISCARD ANY PACKAGING MATERIALS IN THE ENVIRONMENT!**

# Technical Specifications

Model	RE-CN-185B	RE-CN-255B	RE-CN-325B
Item Number	48564	48565	48566
Power	275 W	305 W	400 W
Capacity	185 L / 6.53 cu.ft.	255 L / 9 cu.ft.	325 L / 11.47 cu.ft.
Exterior Material	Glass / Plastic / Stainless Steel		
Interior Material	Glass / Stainless Steel		
Shelf Material	Glass		
Shelf Dimensions	30.6" x 10" 778 x 255mm	42.6" x 10" 1083 x 255mm	54.6" x 10" 1388 x 255mm
Electrical	110-120V / 60Hz / 1		
Lamp Power	30 W	45 W	63 W
Temperature Range	0 - 12°C / 32 - 53.6°F		
Max Ambient Temp Rating	24°C / 75°F		
Noise Level	≤55 db		
Refrigerant and Injection	R290/60g		R290/82g
Type of Climate	4		
Rated Current	2.85A	3.1A	4A
Foaming Agent	C5H10		
Internal Dimensions	31.5" x 16.3" x 22" 800 x 415 x 560mm	43.5" x 16.3" x 22" 1105 x 415 x 560mm	55.5" x 16.3" x 22" 1410 x 415 x 560mm
Net Dimensions	35.4" x 20.9" x 37.4" 900 x 530 x 950mm	47.4" x 20.9" x 37.4" 1205 x 530 x 950mm	59.4" x 20.9" x 37.4" 1510 x 530 x 950mm
Net Weight	227.1 lbs. / 103 kgs.	297.6 lbs. / 135 kgs.	339.5 lbs. / 154 kgs.
Packaging Dimensions	38.4" x 23.8" x 44.1" 975 x 605 x 1120mm	50.4" x 23.8" x 44.1" 1280 x 605 x 1120mm	62.4" x 23.8" x 44.1" 1585 x 605 x 1120mm
Packaging Weight	299.8 lbs. / 136 kgs.	370.4 lbs. / 168 kgs.	421.1 lbs. / 191 kgs.

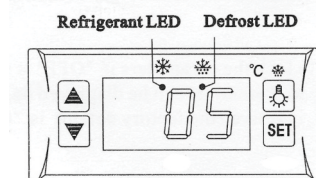


## BEFORE USE

- Plug refrigerator into the 110-120V exclusive socket.
- After the refrigerator is running, confirm that air suction/filtration is in order and that it is sufficiently cold. After checking to make sure the refrigerator is working properly, it may be used.

## DIGITAL TEMPERATURE CONTROLLER

Small, integrated digital controller, which is applicable to the compressor of 1 HP.



Main functions are: temperature display, temperature control, manual-automatic, light control, value storing, self-testing, parameter locking.

## FRONT PANEL OPERATION

1. Set temperature: press **SET** button; set temperature will be displayed. Press **▲** or **▼** button to modify and store the displayed value. Press **SET** button to exit the adjustment and display the cold-room temperature.
2. If no button is pressed within 10 seconds, the cold-room temperature will be displayed.
3. Lighting: press **☀** button to activate light in refrigerator; press again to turn off. Manual start/stop defrost: press **☸** button and hold for 6 seconds to either defrost or to stop defrost.
4. Refrigeration LED: during refrigeration, the LED is on. When the cold room temperature is constant, the LED is off. During delay start, the LED flashes.
5. Defrost LED: during defrosting, the LED is on. When it stops defrosting, the LED is off. During the delay of defrost, the LED flashed.
6. Digital controller reset: when display shows "Disorder", press **▼** button for 2s until buzzer rings, quickly press **▲** button for 6s until buzzer rings again, the display will flash for 3s and it restores factory setting.

## CAUTIONS

Shorten the door open time and reduce open frequency is good to keep a cold temperature inside the refrigerator. Never block the air suction and outlet. Keep air circulation and refrigeration capability. Do not make food congested as it will influence the cooling effect. Adjust the rack height for proper food storage. Cool the hot food down to room temperature before you put it into the refrigerator. Try to reduce the open times and keep refrigerator inside cold in case the power is cut off. Only skilled service man is allowed to repair the damaged power cable with special tools. Never touch compressor to avoid from scald. If the supply cord is damaged, it must be replaced by the manufacturer, its service agent or similarly qualified persons in order to avoid a hazard.

This appliance is not intended for use by persons (including children) with reduced physical, sensory or mental capabilities, or lack of experience and knowledge, unless they have been given supervision or instruction concerning use of the appliance by a person responsible for their safety. Children should be supervised to ensure that they do not play with the appliance. The operation manual are not suitable for the persons

# Operation

---

(including children) with reduced physical, sensory or mental capabilities, or lack of experience and knowledge. Do not store explosive substances such as aerosol cans with a flammable propellant in this appliance. During normal operation, the emission noise level does not exceed 70dB(A). The maximum loading of the shelf does not exceed 18kg(39.7lb). The climatic class of the appliance is 4, the units are suggested to be used at 16°C-32°C(60.8°F-89.6°F) ambient temperature. To avoid damages or other problems, this product can not be put or stored with any corrosive food.

**WARNING: keep ventilation openings, in the appliance enclosure or in the built-in structure, clear of obstruction.**

**WARNING: do not use mechanical devices of other means to accelerate the defrosting process, other than those recommended by the manufacturer.**

**WARNING: do not damage the refrigerant circuit.**

**WARNING: do not use electrical appliances inside the food storage compartments of the appliance, unless they are of the type recommended by the manufacturer.**

## ADDITIONAL WARNING

**Caution: risk of fire. The height of the triangle in the symbol shall be at least 15mm.**

# Maintenance

---

1. Notice: often keep the refrigerator clean and periodical maintenance is necessary. Always unplug the socket before maintenance. Never use damaged plug or loose socket to prevent from electric shock or short circuit. Never flush the refrigerator. Never use alkali detergent, soap, gasoline, acetone or brush.
2. Clean outside: dip soft cloth in neutral detergent (tableware detergent) to clean the outside of the refrigerator and then wipe it with dry soft cloth.
3. Clean inside: take rack out for cleaning with water. Use soft cloth to wipe the box.
4. Shut down refrigerator for a long time. Take all food out and unplug the wall socket. Clean both inside and outside of the refrigerator thoroughly and open the door for sufficient dry. The glass breaks easily. Keep the glass far from children.
5. Replacement of lamp in the light box. If the LED lamp is damaged, it must be replaced by the manufacturer, its service agent.

# Troubleshooting

Trouble	Cause and Remedy
No refrigeration.	Is the plug fitting in the socket?
	Is the fuse broken?
	Is there no power?
Unsatisfactory refrigeration.	Is it under sunshine? Is there any heat source nearby?
	Is the surrounding ventilation poor?
	Is the door closed? Is the door open for a long period of time?
	Is the door seal strip deformed or damaged?
	Is there too much food?
	Does food block the air suction or outlet?
	Regulate the temperature controller.
Noisy.	The refrigerator is not level.
	The refrigerator contacts the wall or other matter.
	There is loose part in refrigerator.
Contact Omcan for help if simple troubleshooting does not solve the problems.	

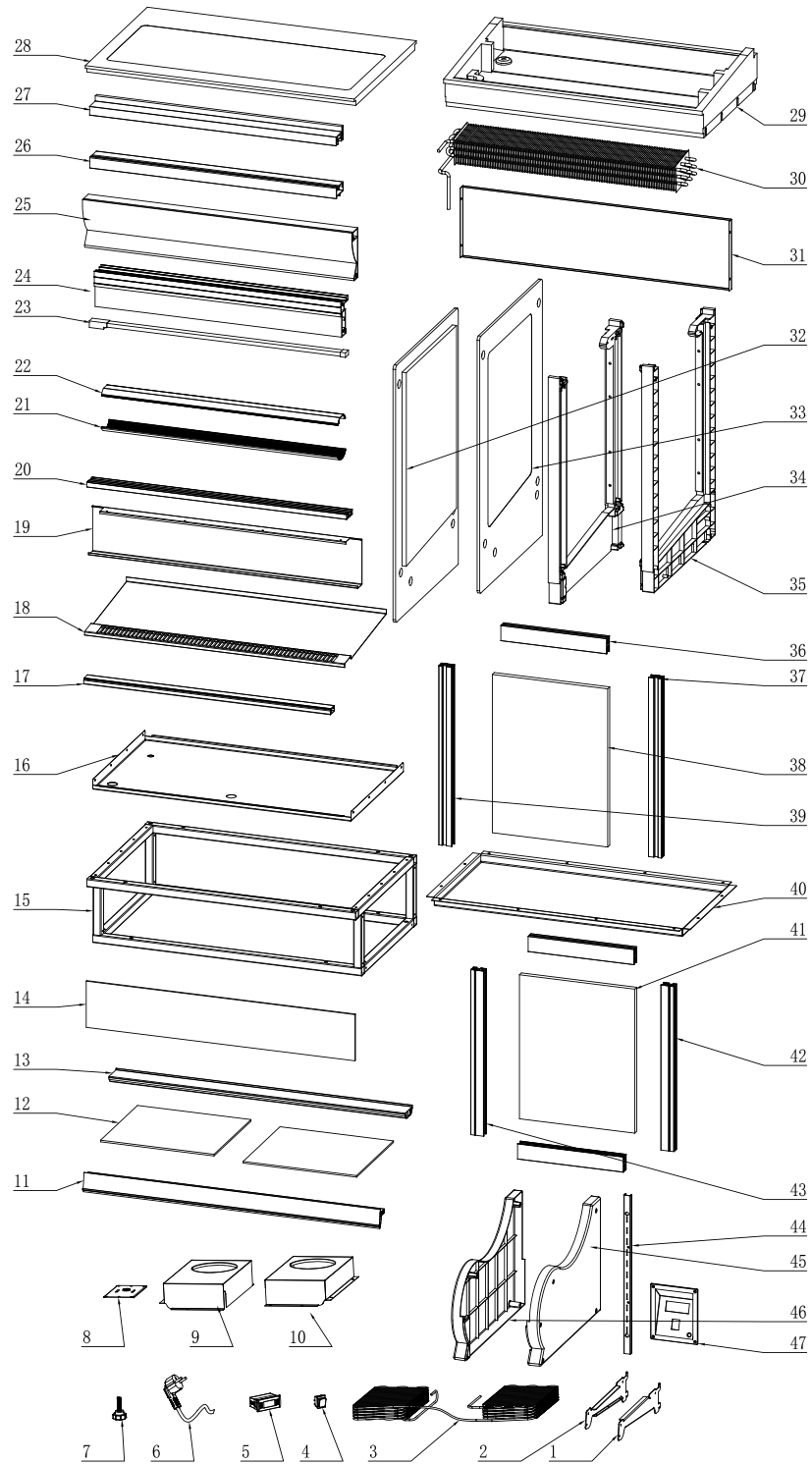
## NOTE

### Following occurrences are not problems:

- The murmur of water is heard when the refrigerator is working. It is a normal occurrence as the coolant is circulating in the system.
- When the weather is damp, condensation might be found on the outside of the refrigerator. It is caused by high humidity. Simply use cloth to wipe it off.

# Parts Breakdown

## Model RE-CN-185B 48564



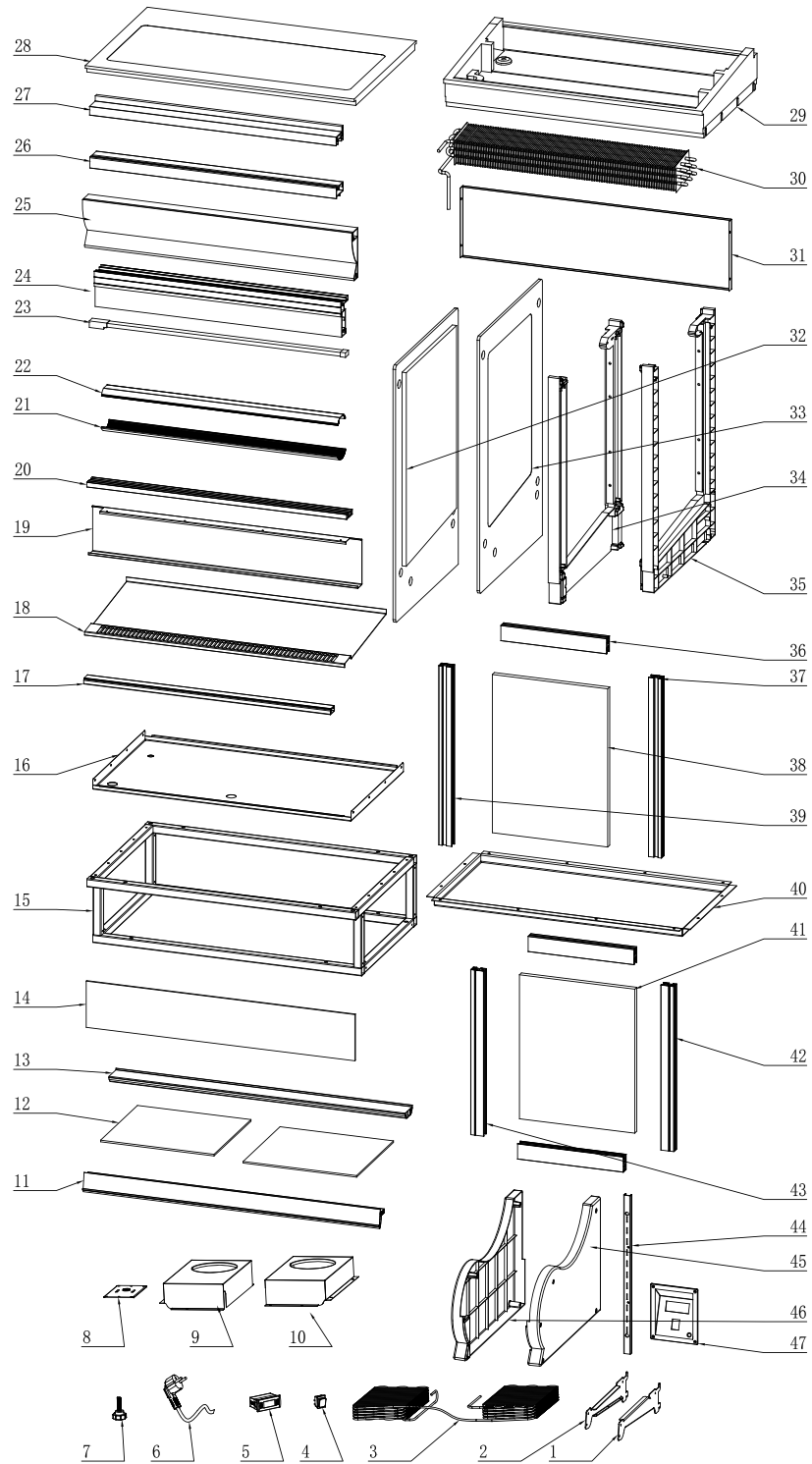
# Parts Breakdown

## Model RE-CN-185B 48564

Item No.	Description	Position	Item No.	Description	Position	Item No.	Description	Position
AT905	Left Bracket for 48564	1	AT918	Back Bottom Pillar for 48564	17	AT934	Right Glass for 48564	33
AT906	Right Bracket for 48564	2	AT919	Ventilating Board for 48564	18	AT935	Left Plate for 48564	34
AT907	Condensor for 48564	3	AT920	Back Panel for 48564	19	AT936	Right Plate for 48564	35
AL834	Switch for 48564	4	AT921	Door Slide Chute for 48564	20	AT937	Upper and Bottom Door for 48564	36
AT908	Digital Controller for 48564	5	AT922	Upper Lampshade for 48564	21	AT938	Left Frame for Front Door for 48564	37
AT816	American Semi-Finished Power Cord for 48564	6	AT923	Upper Lampholder for 48564	22	AT939	Glass for Front Door for 48564	38
AR334	Adjustable Feet for 48564	7	AT924	Double Row of Square for 48564	23	AT940	Right Frame for Front Door for 48564	39
AT909	Fix Plate for Motor for 48564	8	AT925	Front Middle Pillar for 48564	24	AT941	Compressor Base Board for 48564	40
AT910	Left Evaporator Cover for 48564	9	AT926	Front Bottom Pillar for 48564	25	AT942	Glass for Rear Door for 48564	41
AT911	Right Evaporator Cover for 48564	10	AT927	Back Middle Pillar for 48564	26	AT943	Left Frame for Rear Door for 48564	42
AT912	Shelf Front Beam for 48564	11	AT928	Back Upper Pillar for 48564	27	AT944	Right Frame for Rear Door for 48564	43
AT913	Shelf Glass for 48564	12	AT929	Upper Glass for 48564	28	AT945	Shelf Bracket for 48564	44
AT914	Shelf Rear Beam for 48564	13	AT930	Evaporator Foam for 48564	29	AT946	Right Decorating Plate for 48564	45
AT915	Front Decorating Glass for 48564	14	AT931	Evaporator for 48564	30	AT947	Left Decorating Plate for 48564	46
AT916	Base for 48564	15	AT932	Back Grill for 48564	31	AT792	Switch Panel for 48564	47
AT917	Box Bottom Plate for 48564	16	AT933	Left Glass for 48564	32			

# Parts Breakdown

## Model RE-CN-255B 48565



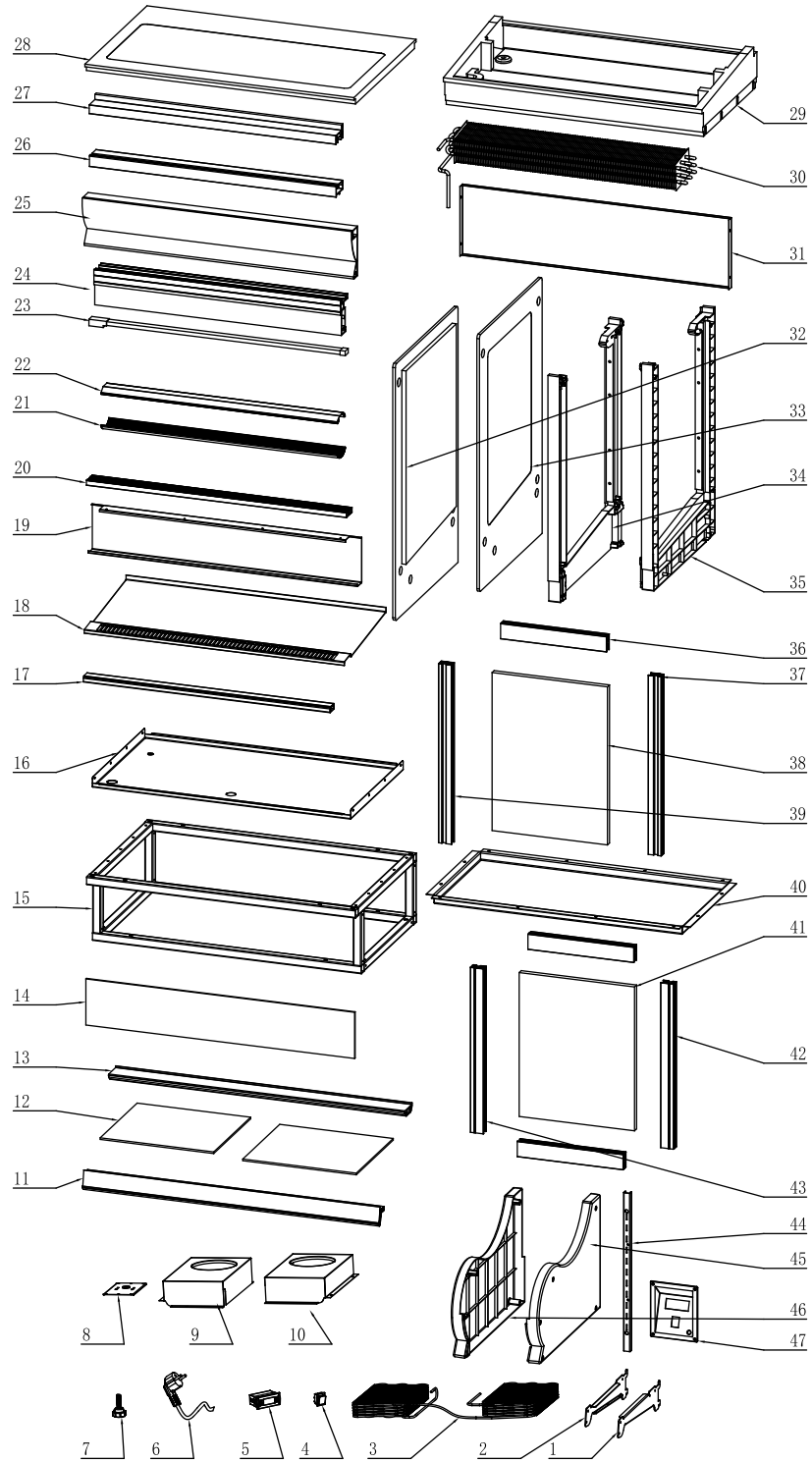
# Parts Breakdown

## Model RE-CN-255B 48565

Item No.	Description	Position	Item No.	Description	Position	Item No.	Description	Position
AT905	Left Bracket for 48565	1	AT955	Back Bottom Pillar for 48565	17	AT934	Right Glass for 48565	33
AT906	Right Bracket for 48565	2	AT956	Ventilating Board for 48565	18	AT935	Left Plate for 48565	34
AT907	Condensor for 48565	3	AT957	Back Panel for 48565	19	AT936	Right Plate for 48565	35
AL834	Switch for 48565	4	AT958	Door Slide Chute for 48565	20	AT969	Upper and Bottom Door Frame for 48565	36
AT908	Digital Controller for 48565	5	AT959	Upper Lamphshade for 48565	21	AT938	Left Frame for Front Door for 48565	37
AT816	American Semi-Finished Power Cord for 48565	6	AT960	Upper Lampholder for 48565	22	AT970	Glass for Front Door for 48565	38
AR334	Adjustable Foot for 48565	7	AL791	LED for 48565	23	AT940	Right Frame for Front Door for 48565	39
AT948	Fix Plate for Motor for 48565	8	AT961	Front Middle Pillar for 48565	24	AT971	Compressor Base Board for 48565	40
AT910	Left Evaporator Cover for 48565	9	AT962	Front Bottom Pillar for 48565	25	AT972	Glass for Rear Door for 48565	41
AT911	Right Evaporator Cover for 48565	10	AT963	Back Middle Pillar for 48565	26	AT943	Left Frame for Rear Door for 48565	42
AT949	Shelf Front Beam for 48565	11	AT964	Back Upper Pillar for 48565	27	AT944	Right Frame for Rear Door for 48565	43
AT950	Shelf Glass for 48565	12	AT965	Upper Glass for 48565	28	AT945	Shelf Bracket for 48565	44
AT951	Shelf Rear Beam for 48565	13	AT966	Evaporator Foam for 48565	29	AT946	Right Decorating Plate for 48565	45
AT952	Front Decorating Glass for 48565	14	AT967	Evaporator for 48565	30	AT947	Left Decorating Plate for 48565	46
AT953	Base for 48565	15	AT968	Back Grill for 48565	31	AT792	Switch Panel for 48565	47
AT954	Box Bottom Plate for 48565	16	AT933	Left Glass for 48565	32			

# Parts Breakdown

## Model RE-CN-325B 48566





# Parts Breakdown

## Model RE-CN-325B 48566

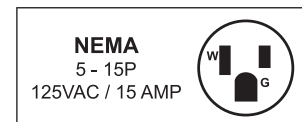
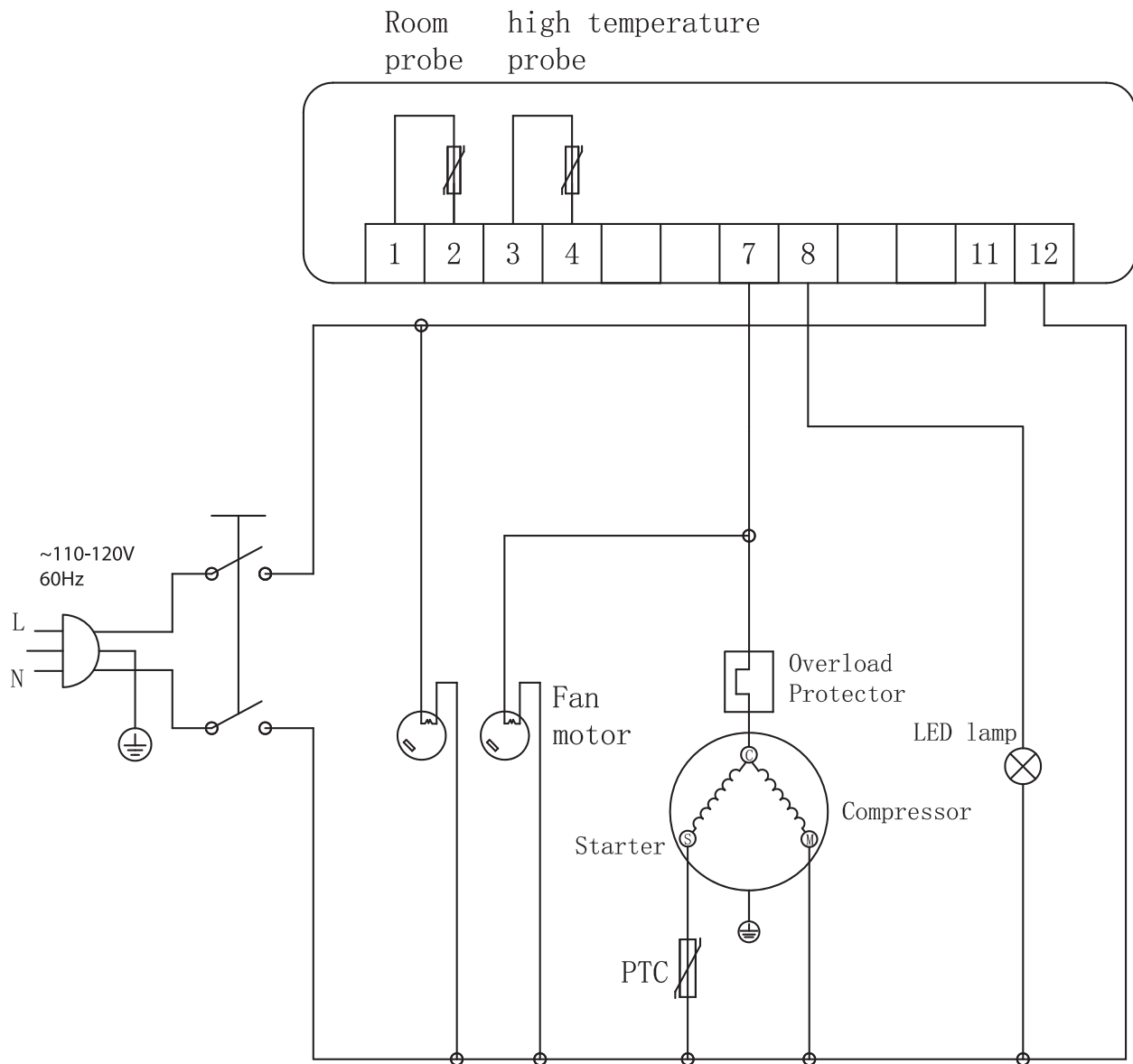
Item No.	Description	Position	Item No.	Description	Position	Item No.	Description	Position
AT905	Left Bracket for 48566	1	AT982	Ventilating Board for 48566	18	AT936	Right Plate for 48566	35
AT906	Right Bracket for 48566	2	AT983	Back Panel for 48566	19	AT995	Upper and Bottom Door for 48566	36
AT907	Condensor for 48566	3	AT984	Door Slide Chute for 48566	20	AT938	Left Frame for Front Door for 48566	37
AL834	Switch for 48566	4	AT985	Upper Lampshade for 48566	21	AT996	Glass for Front Door for 48566	38
AT908	Digital Controller for 48566	5	AT986	Upper Lampholder for 48566	22	AT940	Right Frame for Front Door for 48566	39
AT816	American Semi-Finished Power Cord for 48566	6	AL853	LED for 48566	23	AT997	Compressor Base Board for 48566	40
AT973	Adjustable Feet for 48566	7	AT987	Front Middle Pillar for 48566	24	AT998	Glass for Rear Door for 48566	41
AT974	Fix Plate for Motor for 48566	8	AT988	Front Bottom Pillar for 48566	25	AT943	Left Frame for Rear Door for 48566	42
AT910	Left Evaporator Cover for 48566	9	AT989	Back Middle Pillar for 48566	26	AT944	Right Frame for Rear Door for 48566	43
AT911	Right Evaporator Cover for 48566	10	AT990	Back Upper Pillar for 48566	27	AT945	Shelf Bracket for 48566	44
AT975	Shelf Front Beam for 48566	11	AT991	Upper Glass for 48566	28	AT946	Right Decorating Plate for 48566	45
AT976	Shelf Glass for 48566	12	AT992	Evaporator Foam for 48566	29	AT947	Left Decorating Plate for 48566	46
AT977	Shelf Rear Beam for 48566	13	AT993	Evaporator for 48566	30	AT792	Switch Panel for 48566	47
AT978	Front Decorating Glass for 48566	14	AT994	Back Grill for 48566	31	AT806	Compressor for 48566	48
AT979	Base for 48566	15	AT933	Left Glass for 48566	32	AR383	Fan Motor for 48566	49
AT980	Box Bottom Plate for 48566	16	AT934	Right Glass for 48566	33	AT999	Motor for 48566	50
AT981	Back Bottom Pillar for 48566	17	AT935	Left Plate for 48566	34			

# Electrical Schematics

**Model RE-CN-185B** 48564

**Model RE-CN-255B** 48565

**Model RE-CN-325B** 48566





# Warranty Registration

Thank you for purchasing an Omcan product. To register your warranty for this product, complete the information below, tear off the card at the perforation and then send to the address specified below. You can also register online by visiting:

Merci d'avoir acheté un produit Omcan. Pour enregistrer votre garantie pour ce produit, complétez les informations ci-dessous, détachez la carte au niveau de la perforation, puis l'envoyer à l'adresse spécifiée ci-dessous. Vous pouvez également vous inscrire en ligne en visitant:

Gracias por comprar un producto Omcan usted. Para registrar su garantía para este producto, complete la información a continuación, cortar la tarjeta en la perforación y luego enviarlo a la dirección indicada a continuación. También puede registrarse en línea en:

<https://omcan.com/warranty-registration/>

For mailing in Canada

Pour postale au Canada

Por correo en Canadá

For mailing in the US

Pour diffusion aux États-Unis

Por correo en los EE.UU.

**OMCAN**

PRODUCT WARRANTY REGISTRATION

3115 Pepper Mill Court,  
Mississauga, Ontario  
Canada, L5L 4X5

**OMCAN**

PRODUCT WARRANTY REGISTRATION

4450 Witmer Industrial Estates, Unit 4,  
Niagara Falls, New York  
USA, 14305

*or email to: [service@omcan.com](mailto:service@omcan.com)*



Purchaser's Information

Name: \_\_\_\_\_

Address: \_\_\_\_\_

City: \_\_\_\_\_ Province or State: \_\_\_\_\_ Postal or Zip: \_\_\_\_\_

Country: \_\_\_\_\_

Dealer from which Purchased: \_\_\_\_\_

Dealer City: \_\_\_\_\_ Dealer Province or State: \_\_\_\_\_

Invoice: \_\_\_\_\_

Model Name: \_\_\_\_\_ Model Number: \_\_\_\_\_

Machine Description: \_\_\_\_\_

Date of Purchase (MM/DD/YYYY): \_\_\_\_\_

Would you like to extend the warranty?  Yes  No

Company Name: \_\_\_\_\_

Telephone: \_\_\_\_\_

Email Address: \_\_\_\_\_

Type of Company:

Restaurant  Bakery  Deli

Butcher  Supermarket  Caterer

Institution (*specify*): \_\_\_\_\_

Other (*specify*): \_\_\_\_\_

Serial Number: \_\_\_\_\_

Date of Installation (MM/DD/YYYY): \_\_\_\_\_

**Thank you for choosing Omcan | Merci d'avoir choisi Omcan | Gracias por elegir Omcan**



Since 1951 Omcan has grown to become a leading distributor of equipment and supplies to the North American food service industry. Our success over these many years can be attributed to our commitment to strengthen and develop new and existing relationships with our valued customers and manufacturers. Today with partners in North America, Europe, Asia and South America, we continually work to improve and grow the company. We strive to offer customers exceptional value through our qualified local sales and service representatives who provide convenient access to over 6,500 globally sourced products.

---

Depuis 1951 Omcan a grandi pour devenir un des "leaders" de la distribution des équipements et matériel pour l'industrie des services alimentaires en Amérique du Nord. Notre succès au cours de ces nombreuses années peut être attribué à notre engagement à renforcer et à développer de nouvelles et existantes relations avec nos clients et les fabricants de valeur. Aujourd'hui avec des partenaires en Amérique du Nord, Europe, Asie et Amérique du Sud, nous travaillons continuellement à améliorer et développer l'entreprise. Nous nous efforçons d'offrir à nos clients une valeur exceptionnelle grâce à nos ventes locales qualifiées et des représentants de service qui offrent un accès facile à plus de 6500 produits provenant du monde entier.

---

Desde 1951 Omcan ha crecido hasta convertirse en un líder en la distribución de equipos y suministros de alimentos en América del Norte industria de servicios. Nuestro éxito en estos años se puede atribuir a nuestro compromiso de fortalecer y desarrollar nuevas relaciones existentes con nuestros valiosos clientes y fabricantes. Hoy con socios de América del Norte, Europa, Asia y América del Sur, que trabajan continuamente para mejorar y crecer la empresa. Nos esforzamos por ofrecer a nuestros clientes valor excepcional a través de nuestro local de ventas y representantes de los servicios que proporcionan un fácil acceso a más de 6,500 productos con origen a nivel mundial.

