



Refrigerated Showcases

Models RE-CN-160-1, 200-1, 250-1

Items 48567, 48568, 48569

Instruction Manual



Revised - 02/12/2025



Toll Free: 1-800-465-0234
Fax: 905-607-0234
Email: service@omcan.com
www.omcan.com



Table of Contents

Model RE-CN-160-1 / Model RE-CN-200-1 / Model RE-CN-250-1

Section	Page
Disclaimer -----	3
General Information -----	4 - 5
Safety and Warranty -----	5 - 7
Technical Specifications -----	8
Operation -----	9 - 10
Maintenance -----	10
Troubleshooting -----	11
Parts Breakdown -----	12 - 17
Electrical Schematics -----	18
Warranty Registration -----	19

OMCAN IS NOT RESPONSIBLE FOR ANY DAMAGES DUE TO WATER LEAKS. WARRANTY FOR WATER LEAKS IS VOID IF THE AMBIENT ROOM TEMPERATURE EXCEEDS 75°F AND 55% RELATIVE HUMIDITY, AND THE APPLIANCE DRAIN IS NOT CONNECTED DIRECTLY TO A FLOOR DRAIN.

OMCAN N'EST PAS RESPONSABLE DES DOMMAGES DUS AUX FUITES D'EAU. LA GARANTIE POUR LES FUITES D'EAU EST ANNULÉE SI LA TEMPÉRATURE AMBIANTE DE LA PIÈCE DÉPASSE 75°F ET 55% D'HUMIDITÉ RELATIVE, ET SI LE DRAIN DE L'APPAREIL N'EST PAS RACCORDÉ DIRECTEMENT À UN DRAIN DE PLANCHER.

OMCAN NO SE HACE RESPONSABLE DE LOS DAÑOS CAUSADOS POR FUGAS DE AGUA. LA GARANTÍA POR FUGAS DE AGUA QUEDA ANULADA SI LA TEMPERATURA AMBIENTE SUPERA LOS 75°F Y EL 55% DE HUMEDAD RELATIVA, Y EL DESAGÜE DEL APARATO NO ESTÁ CONECTADO DIRECTAMENTE A UN DESAGÜE DE PISO.

General Information

Omcan Manufacturing and Distributing Company Inc., Food Machinery of America, Inc. dba Omcan and Omcan Inc. are not responsible for any harm or injury caused due to any person's improper or negligent use of this equipment. The product shall only be operated by someone over the age of 18, of sound mind, and not under the influence of any drugs or alcohol, who has been trained in the correct operation of this machine, and is wearing authorized, proper safety clothing. Any modification to the machine voids any warranty, and may cause harm to individuals using the machine or in the vicinity of the machine while in operation.

CHECK PACKAGE UPON ARRIVAL

Upon receipt of an Omcan shipment please inspect for external damage. If no damage is evident on the external packaging, open carton to ensure all ordered items are within the box, and there is no concealed damage to the machine. If the package has suffered rough handling, bumps or damage (visible or concealed), please note it on the bill of lading before accepting the delivery and contact Omcan within 24 hours, so we may initiate a claim with the carrier. A detailed report on the extent of the damage caused to the machine must be filled out within three days, from the delivery date shown in the shipping documents. Omcan has no recourse for damaged products that were shipped collect or third party.

Before operating any equipment, always read and familiarize yourself with all operation and safety instructions.

Omcan would like to thank you for purchasing this machine. It's of the utmost importance to save these instructions for future reference. Also save the original box and packaging for shipping the equipment if servicing or returning of the machine is required.

Omcan Fabrication et distribution Compagnie Limité et Food Machinery d'Amérique, dba Omcan et Omcan Inc. ne sont pas responsables de tout dommage ou blessure causé du fait que toute personne ait utilisé cet équipement de façon irrégulière. Le produit ne doit être exploité que par quelqu'un de plus de 18 ans, sain d'esprit, et pas sous l'influence d'une drogue ou d'alcool, qui a été formé pour utiliser cette machine correctement, et est vêtu de vêtements de sécurité appropriés. Toute modification de la machine annule toute garantie, et peut causer un préjudice à des personnes utilisant la machine ou des personnes à proximité de la machine pendant son fonctionnement.

VÉRIFIEZ LE COLIS DÈS RÉCEPTION

Dès réception d'une expédition d'Omcan veuillez inspecter pour dommages externes. Si aucun dommage n'est visible sur l'emballage externe, ouvrez le carton afin de s'assurer que tous les éléments commandés sont dans la boîte, et il n'y a aucun dommage dissimulé à la machine. Si le colis n'a subi aucune mauvaises manipulations, de bosses ou de dommages (visible ou cachée), notez-le sur le bond de livraison avant d'accepter la livraison et contactez Omcan dans les 24 heures qui suivent, pour que nous puissions engager une réclamation auprès du transporteur. Un rapport détaillé sur l'étendue des dommages causés à la machine doit être rempli dans un délai de trois jours, à compter de la date de livraison indiquée dans les documents d'expédition. Omcan n'a aucun droit de recours pour les produits endommagés qui ont été expédiés ou cueillis par un tiers transporteur.

Avant d'utiliser n'importe quel équipement, toujours lire et vous familiariser avec toutes les opérations et les



General Information

consignes de sécurité.

Omcan voudrais vous remercier d'avoir choisi cette machine. Il est primordial de conserver ces instructions pour une référence ultérieure. Également conservez la boîte originale et l'emballage pour l'expédition de l'équipement si l'entretien ou le retour de la machine est nécessaire.

Omcan Empresa De Fabricacion Y Distribucion Inc. Y Maquinaria De Alimentos De America, Inc. dba Omcan y Omcan Inc. no son responsables de ningun daño o perjuicio causado por cualquier persona inadecuada o el uso descuidado de este equipo. El producto solo podra ser operado por una persona mayor de 18 años, en su sano juicio y no bajo alguna influencia de droga o alcohol, y que este ha sido entrenado en el correcto funcionamiento de esta máquina, y ésta usando ropa apropiada y autorizada. Cualquier modificación a la máquina anula la garantía y puede causar daños a las personas usando la máquina mientras esta en el funcionamiento.

REVISE EL PAQUETE A SU LLEGADA

Tras la recepcion de un envio Omcan favor inspeccionar daños externos. Si no hay daños evidentes en el empaque exterior, Habra el carton para asegurarse que todos los articulos solicitados estén dentro de la caja y no encuentre daños ocultos en la máquina. Si el paquete ha sufrido un manejo de poco cuidado, golpes o daños (visible o oculto) por favor anote en la factura antes de aceptar la entrega y contacte Omcan dentro de las 24 horas, de modo que podamos iniciar una reclamación con la compañía. Un informe detallado sobre los daños causados a la máquina debe ser llenado en el plazo de tres días, desde la fecha de entrega que se muestra en los documentos de envío. Omcan no tiene ningun recurso por productos dañados que se enviaron a recoger por terceros.

Antes de utilizar cualquier equipo, siempre lea y familiarizarse con todas las instrucciones de funcionamiento y seguridad.

Omcan le gustaría darle las gracias por la compra de esta máquina. Es de la mayor importancia para salvar estas instrucciones para futuras consultas. Además, guarda la caja original y el embalaje para el envío del equipo si servicio técnico o devolución de la máquina que se requiere.

Safety and Warranty

HANDLING AND INSTALLATION

Handle with care Unplug wall socket before moving. Never tilt the refrigerator over 45 degrees during handling.	Storage Always store the refrigerator in a dry place.
---	---

Safety and Warranty

<p>Sufficient space To allow for proper air circulation and increased refrigeration capabilities, the refrigerator must have at least 4 inches of space between wall and unit.</p>	<p>Proper ventilation Always place the refrigerator in an area with good ventilation. For first time use, wait at least 2 hours before plugging into wall socket.</p>
<p>Away from heat source Never place the refrigerator near any type of heat source or in direct sunlight, as it reduces refrigeration capabilities.</p>	<p>No heavy load Never put heavy items on top of the refrigerator.</p>
<p>No alterations/tampering Never tamper with or make changes to the refrigerator. Changes and add-ons should not be installed to the inside or outside of the refrigerator.</p>	<p>Stable location Unpack and place the refrigerator on flat, solid ground.</p>

PREPARATION AND POWER SUPPLY

<p>Exclusive power outlet Power supply should be 110-120V, single phase AC with exclusive single phase three pin outlet (125V/15A) and fuse. The power outlet must be in close proximity to the ground.</p>	<p>No shared power outlets Refrigerator cable should never share the power outlet with any other appliance, as cable will overheat and may result in a fire.</p>
<p>Protect cables Extra caution should be used when handling cables, as broken or damaged cables can cause sparking and may result in a fire.</p>	<p>No water flushing Never flush the refrigerator surface. This can cause leakage, which may result in electrical damage or fire.</p>
<p>Never store flammables and explosives No explosives or flammables should be stored in, or in proximity to, the refrigerator, such as gasoline, alcohol, and adhesives.</p>	<p>No spray Never spray flammables such as paint or coating near the refrigerator. This may cause fire or malfunction.</p>
<p>After power outage After a power outage or the unplugging of the refrigerator, wait at least 5 minutes before plugging it back in.</p>	<p>No medicine Medicine should not be stored inside of the refrigerator.</p>

RESIDENTIAL USERS: vendor assumes no liability for parts or labor coverage for component failure or other damages resulting from installation in non-commercial or residential applications. The right is reserved to deny shipment for residential usage; if this occurs, you will be notified as soon as possible.

2 YEARS PARTS AND LABOUR & 5 YEARS PARTS ONLY ON COMPRESSOR WARRANTY

Within the warranty period, contact Omcan Inc. at 1-800-465-0234 to schedule an Omcan authorized service technician to repair the equipment locally.

Safety and Warranty

Unauthorized maintenance will void the warranty. Warranty covers electrical and part failures, not improper use.

Please see <https://omcan.com/disclaimer> for complete info.

WARNING:

The packaging components are classified as normal solid urban waste and can therefore be disposed of without difficulty.

In any case, for suitable recycling, we suggest disposing of the products separately (differentiated waste) according to the current norms.

DO NOT DISCARD ANY PACKAGING MATERIALS IN THE ENVIRONMENT!

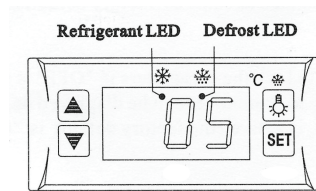
Technical Specifications

Model	RE-CN-160-1	RE-CN-200-1	RE-CN-250-1
Item Number	48567	48568	48569
Power	250 W	330 W	360 W
Capacity	136 L / 4.8 cu.ft.	200 L / 7.06 cu.ft.	227 L / 8.01 cu.ft.
Exterior Material	Glass / Stainless Steel		
Interior Material	Glass / Stainless Steel		
Shelf Material	Glass Drawer		
Top Shelf Dimensions	32" x 13.2" 813 x 335mm	45.4" x 13.2" 1153 x 335mm	57.4" x 13.2" 1458 x 335mm
Middle Shelf Dimensions	32" x 14.4" 813 x 367mm	45.4" x 14.4" 1153 x 367mm	57.4" x 14.4" 1458 x 367mm
Electrical	110-120V / 60Hz / 1		
Lamp Power	16 W		
Temperature Range	0 - 12°C / 32 - 53.6°F		
Max Ambient Temp Rating	24°C / 75°F		
Noise Level	≤55 db		
Refrigerant and Injection	R290/65g	R290/90g	R290/60g
Type of Climate	4		
Rated Current	3A	3.9A	3.4A
Foaming Agent	C5H10		
Internal Dimensions	33.2" x 18.9" x 16.1" 843 x 480 x 410mm	46.6" x 18.9" x 16.1" 1183 x 480 x 410mm	57.8" x 18.9" x 16.1" 1468 x 480 x 410mm
Net Dimensions	34.6" x 22.4" x 27" 880 x 568 x 686mm	48" x 22.4" x 27" 1220 x 568 x 686mm	60" x 22.4" x 27" 1525 x 568 x 686mm
Net Weight	145.5 lbs. / 66 kgs.	202.8 lbs. / 92 kgs.	230.4 lbs. / 104.5 kgs.
Packaging Dimensions	37.2" x 24.8" x 28.3" 945 x 630 x 720mm	50.6" x 24.8" x 28.3" 1285 x 630 x 720mm	62.6" x 24.8" x 28.3" 1590 x 630 x 720mm
Packaging Weight	153.2 lbs. / 69.5 kgs.	211.6 lbs. / 96 kgs.	277.8 lbs. / 126 kgs.

BEFORE USE

- Plug refrigerator into the 110-120V exclusive socket.
- After the refrigerator is running, confirm that air suction/filtration is in order and that it is sufficiently cold. After checking to make sure the refrigerator is working properly, it may be used.

DIGITAL TEMPERATURE CONTROLLER



Small, integrated digital controller, which is applicable to the compressor of 1 HP.

Main functions are: temperature display, temperature control, manual-automatic, light control, value storing, self-testing, parameter locking.

FRONT PANEL OPERATION

1. Set temperature: press **SET** button; set temperature will be displayed. Press **▲** or **▼** button to modify and store the displayed value. Press **SET** button to exit the adjustment and display the cold-room temperature.
2. If no button is pressed within 10 seconds, the cold-room temperature will be displayed.
3. Lighting: press **☀** button to activate light in refrigerator; press again to turn off. Manual start/stop defrost: press **☀** button and hold for 6 seconds to either defrost or to stop defrost.
4. Refrigeration LED: during refrigeration, the LED is on. When the cold room temperature is constant, the LED is off. During delay start, the LED flashes.
5. Defrost LED: during defrosting, the LED is on. When it stops defrosting, the LED is off. During the delay of defrost, the LED flashed.
6. Digital controller reset: when display shows "Disorder", press **▼** button for 2s until buzzer rings, quickly press **▲** button for 6s until buzzer rings again, the display will flash for 3s and it restores factory setting.

CAUTIONS

Shorten the door open time and reduce open frequency is good to keep a cold temperature inside the refrigerator. Never block the air suction and outlet. Keep air circulation and refrigeration capability. Do not make food congested as it will influence the cooling effect. Adjust the rack height for proper food storage. Cool the hot food down to room temperature before you put it into the refrigerator. Try to reduce the open times and keep refrigerator inside cold in case the power is cut off. Only skilled service man is allowed to repair the damaged power cable with special tools. Never touch compressor to avoid from scald. If the supply cord is damaged, it must be replaced by the manufacturer, its service agent or similarly qualified persons in order to avoid a hazard.

This appliance is not intended for use by persons (including children) with reduced physical, sensory or mental capabilities, or lack of experience and knowledge, unless they have been given supervision or instruction

Operation

concerning use of the appliance by a person responsible for their safety. Children should be supervised to ensure that they do not play with the appliance. The operation manual are not suitable for the persons (including children) with reduced physical, sensory or mental capabilities, or lack of experience and knowledge. Do not store explosive substances such as aerosol cans with a flammable propellant in this appliance. During normal operation, the emission noise level does not exceed 70dB(A). The maximum loading of the shelf does not exceed 18kg(39.7lb). The climatic class of the appliance is 4, the units are suggested to be used at 16°C-32°C(60.8°F-89.6°F) ambient temperature. To avoid damages or other problems, this product can not be put or stored with any corrosive food.

WARNING: keep ventilation openings, in the appliance enclosure or in the built-in structure, clear of obstruction.

WARNING: do not use mechanical devices of other means to accelerate the defrosting process, other than those recommended by the manufacturer.

WARNING: do not damage the refrigerant circuit.

WARNING: do not use electrical appliances inside the food storage compartments of the appliance, unless they are of the type recommended by the manufacturer.

ADDITIONAL WARNING

Caution: risk of fire. The height of the triangle in the symbol shall be at least 15mm.

Maintenance

1. Notice: often keep the refrigerator clean and periodical maintenance is necessary. Always unplug the socket before maintenance. Never use damaged plug or loose socket to prevent from electric shock or short circuit. Never flush the refrigerator. Never use alkali detergent, soap, gasoline, acetone or brush.
2. Clean outside: dip soft cloth in neutral detergent (tableware detergent) to clean the outside of the refrigerator and then wipe it with dry soft cloth.
3. Clean inside: take rack out for cleaning with water. Use soft cloth to wipe the box.
4. Shut down refrigerator for a long time. Take all food out and unplug the wall socket. Clean both inside and outside of the refrigerator thoroughly and open the door for sufficient dry. The glass breaks easily. Keep the glass far from children.
5. Replacement of lamp in the light box. If the LED lamp is damaged, it must be replaced by the manufacturer, its service agent.

Troubleshooting

Trouble	Cause and Remedy
No refrigeration.	Is the plug fitting in the socket?
	Is the fuse broken?
	Is there no power?
Unsatisfactory refrigeration.	Is it under sunshine? Is there any heat source nearby?
	Is the surrounding ventilation poor?
	Is the door closed? Is the door open for a long period of time?
	Is the door seal strip deformed or damaged?
	Is there too much food?
	Does food block the air suction or outlet?
	Regulate the temperature controller.
Noisy.	The refrigerator is not level.
	The refrigerator contacts the wall or other matter.
	There is loose part in refrigerator.
Contact Omcan for help if simple troubleshooting does not solve the problems.	

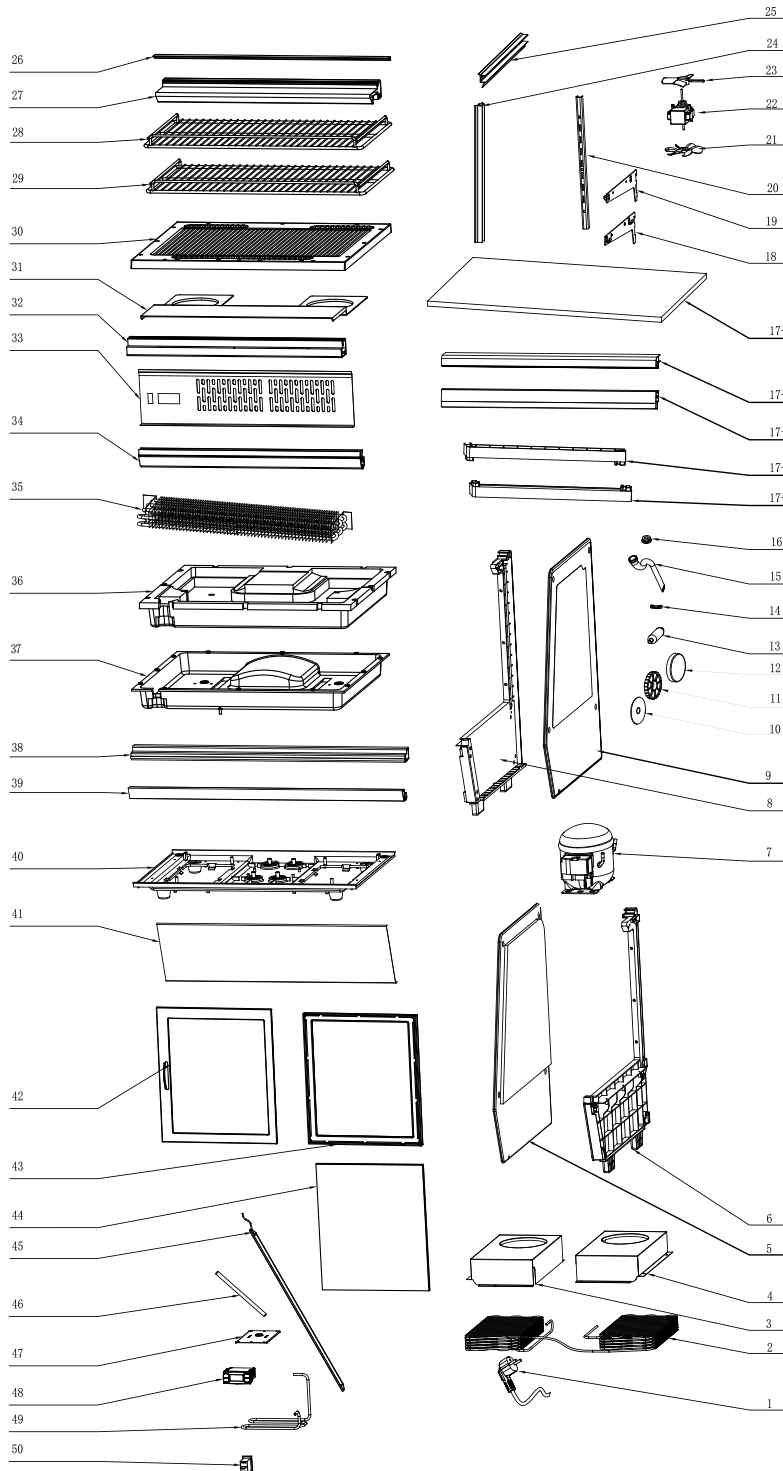
NOTE

Following occurrences are not problems:

- The murmur of water is heard when the refrigerator is working. It is a normal occurrence as the coolant is circulating in the system.
- When the weather is damp, condensation might be found on the outside of the refrigerator. It is caused by high humidity. Simply use cloth to wipe it off.

Parts Breakdown

Model RE-CN-160-1 48567



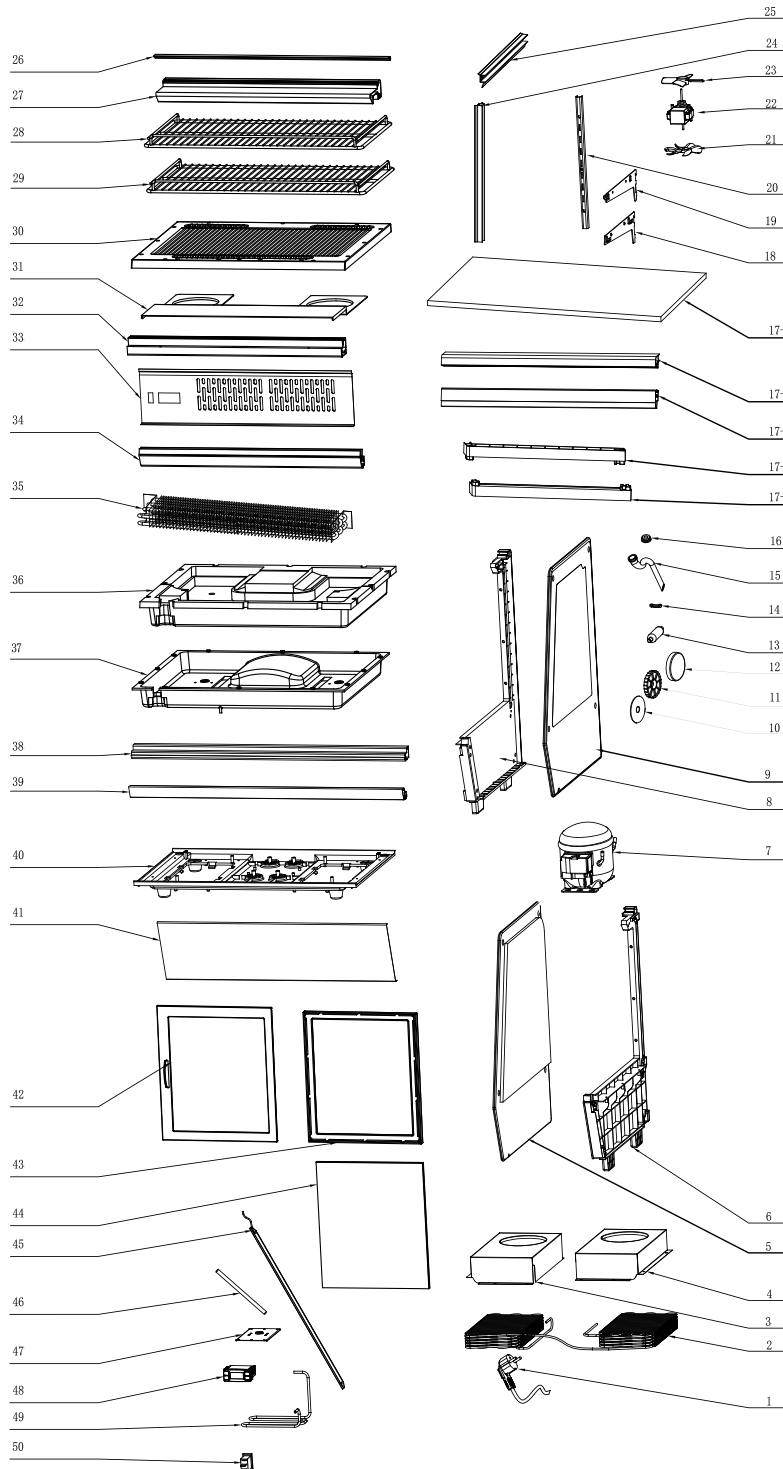
Parts Breakdown

Model RE-CN-160-1 48567

Item No.	Description	Position	Item No.	Description	Position	Item No.	Description	Position
AU000	Water Tray for 48567	1	AU016	Upper Glass for 48567	20	AU035	Front Middle Pillar for 48567	37
AU001	Air Outlet for 48567	2	AU017	Front Door Upper Pillar for 48567	20	AU036	Evaporator for 48567	38
AU002	Air Intake for 48567	3	AU018	Front Door Bottom Pillar for 48567	20	AU037	Evaporator Foam for 48567	39
AT816	American Semi-Finished Power Cord for 48567	4	AU019	Front Door Right Pillar for 48567	20	AU038	Foaming Base for 48567	40
AT907	Condensor for 48567	5	AU020	Front Door Left Pillar for 48567	20	AU039	Back Bottom Pillar for 48567	41
AU003	Left Cover of Condensor for 48567	6	AU021	Left Shelf Supporter for 48567	21	AU040	Front Bottom Pillar for 48567	42
AU004	Right Cover for 48567	7	AU022	Right Shelf Supporter for 48567	22	AU041	Base for 48567	43
AU005	Left Glass for 48567	8	AU023	Shelf Bracket for 48567	23	AU042	Front Grill Stainless Steel for 48567	44
AU006	Left Board for 48567	9	AU024	Motor for 48567	24-26	AU043	Inner Door Frame for 48567	45
AU007	Compressor for 48567	10	AU025	Left Glass Seal for 48567	27	AU044	Outer Door Frame for 48567	46
AU008	Right Board for 48567	11	AU026	Right Glass Seal for 48567	28	AU045	Door Glass for 48567	47
AU009	Right Glass for 48567	12	AU027	Decorating Strip for 48567	29	AU046	LED for 48567	48
AU010	Nut for 48567	13	AU028	Upper Board for 48567	30	AU047	Charging Pipe for 48567	49
AU011	Decorating Nut Cover for 48567	14	AU029	Upper Shelf for 48567	31	AU048	Motor Plate for 48567	50
AU012	Nut Cover for 48567	15	AU030	Middle Shelf for 48567	32	AT908	Digital Controller for 48567	51
AU013	Dry-Filter for 48567	16	AU031	Ventilating Board for 48567	33	AU049	Evaporating Copper Tube for 48567	52
AU014	Fixed Board for 48567	17	AU032	Evaporator Cover for 48567	34	AL834	Switch for 48567	53
AL817	Water Leakage Pipe for 48567	18	AU033	Back Middle Pillar for 48567	35			
AU015	Motor Seal for 48567	19	AU034	Back Grill Stainless Steel for 48567	36			

Parts Breakdown

Model RE-CN-200-1 48568



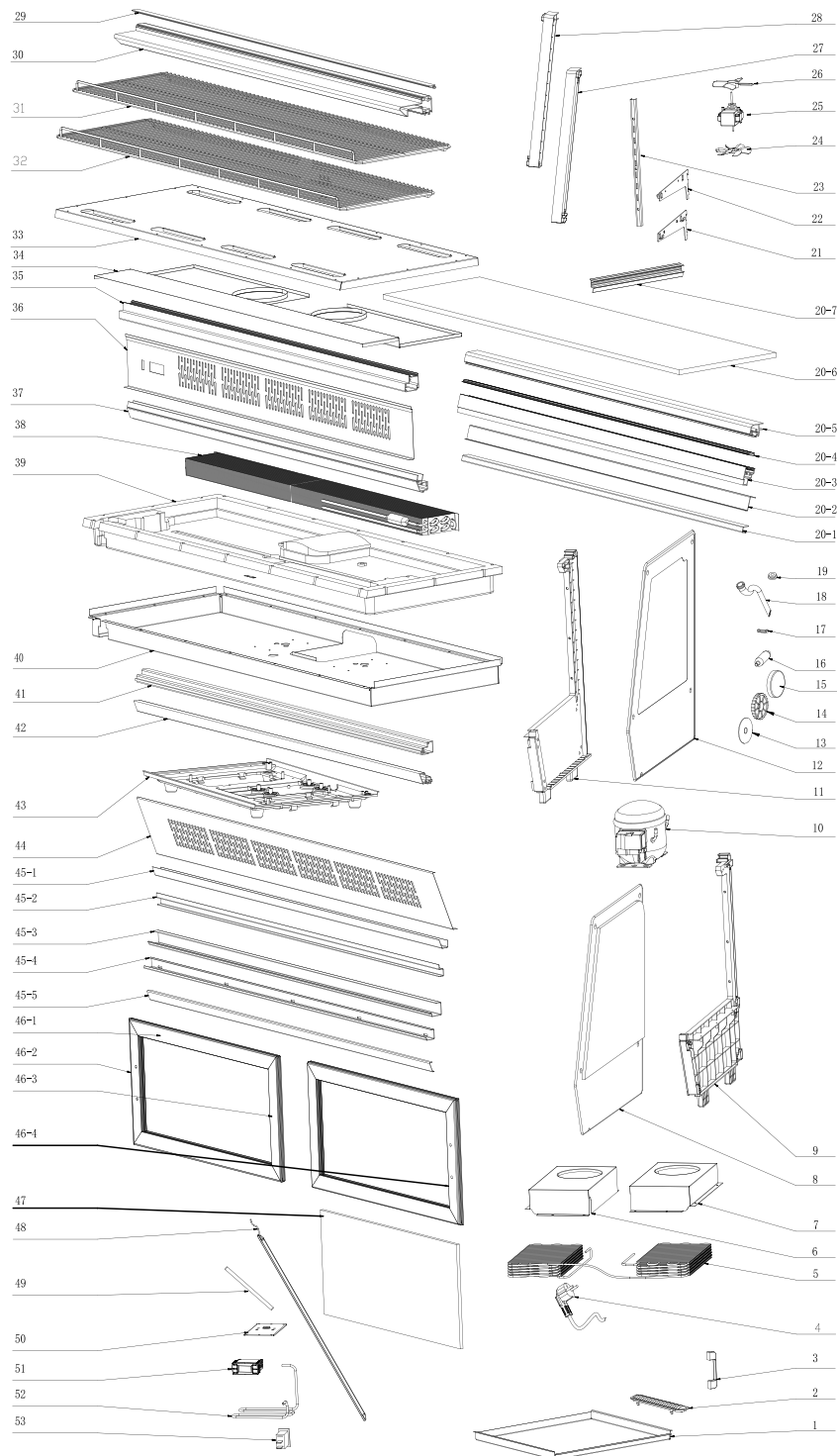
Parts Breakdown

Model RE-CN-200-1 48568

Item No.	Description	Position	Item No.	Description	Position	Item No.	Description	Position
AU050	Water Tray for 48568	1	AU056	Upper Glass for 48568	20	AU070	Front Middle Pillar for 48568	37
AU051	Air Outlet for 48568	2	AU057	Front Door Upper Pillar for 48568	20	AU071	Evaporator for 48568	38
AU001	Air Outlet for 48568	3	AU058	Front Door Bottom Pillar for 48568	20	AU072	Evaporator Foam for 48568	39
AT816	American Semi-Finished Power Cord for 48568	4	AU019	Front Door Right Pillar for 48568	20	AU073	Foaming Base for 48568	40
AU052	Condensor for 48568	5	AU020	Front Door Left Pillar for 48568	20	AU074	Back Bottom Pillar for 48568	41
AU053	Left Cover of Condensor for 48568	6	AU059	Left Shelf Supporter for 48568	21	AU075	Front Bottom Pillar for 48568	42
AU054	Right Cover for 48568	7	AU060	Right Shelf Supporter for 48568	22	AU041	Base for 48568	43
AU005	Left Glass for 48568	8	AU023	Shelf Bracket for 48568	23	AU076	Front Grill Stainless Steel for 48568	44
AU006	Left Board for 48568	9	AU061	Motor for 48568	24-26	AU077	Inner Door Frame for 48568	45
AU055	Compressor for 48568	10	AU025	Left Glass Seal for 48568	27	AU078	Outer Door Frame for 48568	46
AU008	Right Board	11	AU026	Right Glass Seal for 48568	28	AU079	Door Glass for 48568	47
AU009	Right Glass for 48568	12	AU062	Decorating Board for 48568	29	AU080	LED for 48568	48
AU010	Nut for 48568	13	AU063	Upper Board for 48568	30	AU047	Charging Pipe for 48568	49
AU011	Decorating Nut Cover for 48568	14	AU064	Upper Shelf for 48568	31	AU048	Motor Plate for 48568	50
AU012	Nut Cover for 48568	15	AU065	Middle Shelf for 48568	32	AT908	Digital Controller for 48568	51
AT793	Dry Filter for 48568	16	AU066	Ventilating Board for 48568	33	AU049	Evaporating Copper Tube for 48568	52
AU014	Fixed Board for 48568	17	AU067	Evaporator Cover for 48568	34	AL834	Switch for 48568	53
AL817	Water Leakage Pipe for 48568	18	AU068	Back Middle Pillar for 48568	35			
AU015	Motor Seal for 48568	19	AU069	Back Grill Stainless Steel for 48568	36			

Parts Breakdown

Model RE-CN-250-1 48569



Parts Breakdown

Model RE-CN-250-1 48569

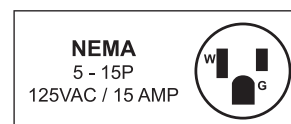
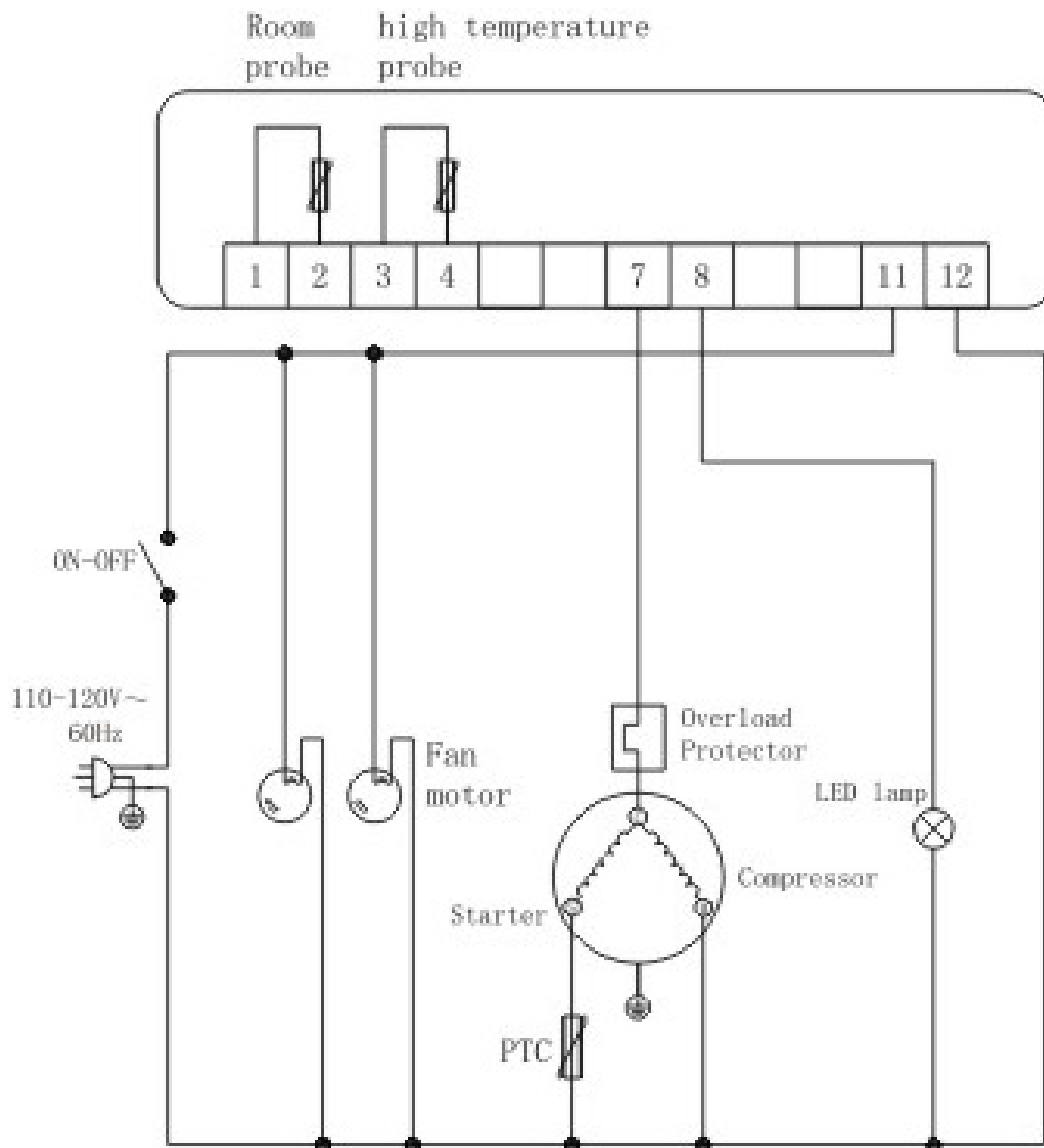
Item No.	Description	Position	Item No.	Description	Position	Item No.	Description	Position
AU081	Water Tray for 48569	1	AU088	Bottom Door Groove for 48569	20-4	AU106	Back Bottom Pillar for 48569	41
AU001	Air Outlet for 48569	2	AU089	Front Door Top Fix Pillar for 48569	20-5	AU107	Front Bottom Pillar for 48569	42
AT838	Handle for 48569	3	AU090	Top Glass for 48569	20-6	AU041	Base for 48569	43
AT816	American Semi-Finished Power Cord for 48569	4	AU091	Top Glass Side Sealing Strip for 48569	20-7	AU108	Front Grill for 48569	44
AU052	Condensor for 48569	5	AU059	Left Shelf Supporter for 48569	21	AU109	Front Middle Pillar Supporter for 48569	45-1
AU053	Left Cover of Condensor for 48569	6	AU060	Right Shelf Supporter for 48569	22	AU110	Back Upper Pillar Supporter for 48569	45-2
AU054	Right Cover for 48569	7	AU023	Shelf Bracket for 48569	23	AU111	Back Middle Pillar Supporter for 48569	45-3
AU005	Left Glass for 48569	8	AU061	Motor for 48569	24-26	AU112	Back Lower Pillar Supporter for 48569	45-4
AU082	Left Board for 48569	9	AU092	Front Door Left Fix Pillar for 48569	27	AU113	Front Lower Pillar Supporter for 48569	45-5
AU055	Compressor for 48569	10	AU093	Front Door Right Fix Pillar for 48569	28	AU114	Upper and Lower Pillar for Door for 48569	46-1
AU083	Right Board for 48569	11	AU094	Decorating Board for 48569	29	AU115	Left Door Handle Pillar for 48569	46-2
AU009	Right Glass for 48569	12	AU095	Upper Board for 48569	30	AU116	Door Vertical Pillar for 48569	46-3
AU010	Nut for 48569	13	AU096	Upper Shelf for 48569	31	AU117	Right Door Handle Pillar for 48569	46-4
AU011	Decorating Nut Cover for 48569	14	AU097	Middle Shelf for 48569	32	AU118	Door Glass for 48569	47
AU012	Nut Cover for 48569	15	AU098	Ventilating Board for 48569	33	AU119	LED for 48569	48
AT793	Dry Filter for 48569	16	AU099	Evaporator Cover for 48569	34	AU047	Charging Pipe for 48569	49
AU014	Fixed Board for 48569	17	AU100	Back Middle Pillar for 48569	35	AU048	Motor Plate for 48569	50
AL817	Water Leakage Pipe for 48569	18	AU101	Back Grill for 48569	36	AT908	Digital Controller for 48569	51
AU084	Motor Seal for 48569	19	AU102	Front Middle Pillar for 48569	37	AU049	Evaporating Copper Tube for 48569	52
AU085	Front Door Top Pillar Support for 48569	20-1	AU103	Evaporator for 48569	38	AL834	Switch for 48569	53
AU086	Front Door Bottom Pillar Support for 48569	20-2	AU104	Evaporator Foam for 48569	39			
AU087	Front Door Bottom Fix Pillar for 48569	20-3	AU105	Foaming Base for 48569	40			

Electrical Schematics

Model RE-CN-160-1 48567

Model RE-CN-200-1 48568

Model RE-CN-250-1 48569





Warranty Registration

Thank you for purchasing an Omcan product. To register your warranty for this product, complete the information below, tear off the card at the perforation and then send to the address specified below. You can also register online by visiting:

Merci d'avoir acheté un produit Omcan. Pour enregistrer votre garantie pour ce produit, complétez les informations ci-dessous, détachez la carte au niveau de la perforation, puis l'envoyer à l'adresse spécifiée ci-dessous. Vous pouvez également vous inscrire en ligne en visitant:

Gracias por comprar un producto Omcan usted. Para registrar su garantía para este producto, complete la información a continuación, cortar la tarjeta en la perforación y luego enviarlo a la dirección indicada a continuación. También puede registrarse en línea en:

<https://omcan.com/warranty-registration/>

For mailing in Canada

Pour postale au Canada

Por correo en Canadá

For mailing in the US

Pour diffusion aux États-Unis

Por correo en los EE.UU.

OMCAN

PRODUCT WARRANTY REGISTRATION

3115 Pepper Mill Court,
Mississauga, Ontario
Canada, L5L 4X5

OMCAN

PRODUCT WARRANTY REGISTRATION

4450 Witmer Industrial Estates, Unit 4,
Niagara Falls, New York
USA, 14305

or email to: service@omcan.com



Purchaser's Information

Name: _____

Address: _____

City: _____ Province or State: _____ Postal or Zip: _____

Country: _____

Dealer from which Purchased: _____

Dealer City: _____ Dealer Province or State: _____

Invoice: _____

Model Name: _____ Model Number: _____

Machine Description: _____

Date of Purchase (MM/DD/YYYY): _____

Would you like to extend the warranty? Yes No

Company Name: _____

Telephone: _____

Email Address: _____

Type of Company:

Restaurant Bakery Deli

Butcher Supermarket Caterer

Institution (*specify*): _____

Other (*specify*): _____

Serial Number: _____

Date of Installation (MM/DD/YYYY): _____

Thank you for choosing Omcan | Merci d'avoir choisi Omcan | Gracias por elegir Omcan



Since 1951 Omcan has grown to become a leading distributor of equipment and supplies to the North American food service industry. Our success over these many years can be attributed to our commitment to strengthen and develop new and existing relationships with our valued customers and manufacturers. Today with partners in North America, Europe, Asia and South America, we continually work to improve and grow the company. We strive to offer customers exceptional value through our qualified local sales and service representatives who provide convenient access to over 6,500 globally sourced products.

Depuis 1951 Omcan a grandi pour devenir un des "leaders" de la distribution des équipements et matériel pour l'industrie des services alimentaires en Amérique du Nord. Notre succès au cours de ces nombreuses années peut être attribué à notre engagement à renforcer et à développer de nouvelles et existantes relations avec nos clients et les fabricants de valeur. Aujourd'hui avec des partenaires en Amérique du Nord, Europe, Asie et Amérique du Sud, nous travaillons continuellement à améliorer et développer l'entreprise. Nous nous efforçons d'offrir à nos clients une valeur exceptionnelle grâce à nos ventes locales qualifiées et des représentants de service qui offrent un accès facile à plus de 6500 produits provenant du monde entier.

Desde 1951 Omcan ha crecido hasta convertirse en un líder en la distribución de equipos y suministros de alimentos en América del Norte industria de servicios. Nuestro éxito en estos años se puede atribuir a nuestro compromiso de fortalecer y desarrollar nuevas relaciones existentes con nuestros valiosos clientes y fabricantes. Hoy con socios de América del Norte, Europa, Asia y América del Sur, que trabajan continuamente para mejorar y crecer la empresa. Nos esforzamos por ofrecer a nuestros clientes valor excepcional a través de nuestro local de ventas y representantes de los servicios que proporcionan un fácil acceso a más de 6,500 productos con origen a nivel mundial.

