



## ***Refrigerated Showcases***

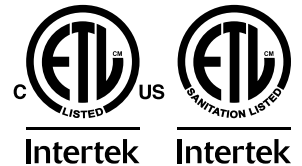
Models RE-CN-0900C, 1200C, 1500C, 1800C, 2100C

Items 48570, 48571, 48572, 48573, 48604

## ***Instruction Manual***



*Revised - 02/24/2025*



Toll Free: 1-800-465-0234  
Fax: 905-607-0234  
Email: [service@omcan.com](mailto:service@omcan.com)  
[www.omcan.com](http://www.omcan.com)



# ***Table of Contents***

Model RE-CN-0900C / Model RE-CN-1200C / Model RE-CN-1500C  
Model RE-CN-1800C / Model RE-CN-2100C

---

<b>Section</b>	<b>Page</b>
Disclaimer -----	3
General Information -----	4 - 5
Safety and Warranty -----	5 - 7
Technical Specifications -----	8
Operation -----	9 - 10
Maintenance -----	10 - 11
Troubleshooting -----	11
Parts Breakdown -----	12 - 23
Electrical Schematics -----	24
Notes -----	25 - 26
Warranty Registration -----	27

*OMCAN IS NOT RESPONSIBLE FOR ANY DAMAGES DUE TO WATER LEAKS. WARRANTY FOR WATER LEAKS IS VOID IF THE AMBIENT ROOM TEMPERATURE EXCEEDS 75°F AND 55% RELATIVE HUMIDITY, AND THE APPLIANCE DRAIN IS NOT CONNECTED DIRECTLY TO A FLOOR DRAIN.*

---

*OMCAN N'EST PAS RESPONSABLE DES DOMMAGES DUS AUX FUITES D'EAU. LA GARANTIE POUR LES FUITES D'EAU EST ANNULÉE SI LA TEMPÉRATURE AMBIANTE DE LA PIÈCE DÉPASSE 75°F ET 55% D'HUMIDITÉ RELATIVE, ET SI LE DRAIN DE L'APPAREIL N'EST PAS RACCORDÉ DIRECTEMENT À UN DRAIN DE PLANCHER.*

---

*OMCAN NO SE HACE RESPONSABLE DE LOS DAÑOS CAUSADOS POR FUGAS DE AGUA. LA GARANTÍA POR FUGAS DE AGUA QUEDA ANULADA SI LA TEMPERATURA AMBIENTE SUPERA LOS 75°F Y EL 55% DE HUMEDAD RELATIVA, Y EL DESAGÜE DEL APARATO NO ESTÁ CONECTADO DIRECTAMENTE A UN DESAGÜE DE PISO.*

## **General Information**

---

**Omcan Manufacturing and Distributing Company Inc., Food Machinery of America, Inc. dba Omcan and Omcan Inc. are not responsible for any harm or injury caused due to any person's improper or negligent use of this equipment. The product shall only be operated by someone over the age of 18, of sound mind, and not under the influence of any drugs or alcohol, who has been trained in the correct operation of this machine, and is wearing authorized, proper safety clothing. Any modification to the machine voids any warranty, and may cause harm to individuals using the machine or in the vicinity of the machine while in operation.**

### **CHECK PACKAGE UPON ARRIVAL**

Upon receipt of an Omcan shipment please inspect for external damage. If no damage is evident on the external packaging, open carton to ensure all ordered items are within the box, and there is no concealed damage to the machine. If the package has suffered rough handling, bumps or damage (visible or concealed), please note it on the bill of lading before accepting the delivery and contact Omcan within 24 hours, so we may initiate a claim with the carrier. A detailed report on the extent of the damage caused to the machine must be filled out within three days, from the delivery date shown in the shipping documents. Omcan has no recourse for damaged products that were shipped collect or third party.

**Before operating any equipment, always read and familiarize yourself with all operation and safety instructions.**

**Omcan would like to thank you for purchasing this machine. It's of the utmost importance to save these instructions for future reference. Also save the original box and packaging for shipping the equipment if servicing or returning of the machine is required.**

---

**Omcan Fabrication et distribution Compagnie Limitée et Food Machinery d'Amérique, dba Omcan et Omcan Inc. ne sont pas responsables de tout dommage ou blessure causé du fait que toute personne ait utilisé cet équipement de façon irrégulière. Le produit ne doit être exploité que par quelqu'un de plus de 18 ans, sain d'esprit, et pas sous l'influence d'une drogue ou d'alcool, qui a été formé pour utiliser cette machine correctement, et est vêtu de vêtements de sécurité appropriés. Toute modification de la machine annule toute garantie, et peut causer un préjudice à des personnes utilisant la machine ou des personnes à proximité de la machine pendant son fonctionnement.**

### **VÉRIFIEZ LE COLIS DÈS RÉCEPTION**

Dès réception d'une expédition d'Omcan veuillez inspecter pour dommages externes. Si aucun dommage n'est visible sur l'emballage externe, ouvrez le carton afin de s'assurer que tous les éléments commandés sont dans la boîte, et il n'y a aucun dommage dissimulé à la machine. Si le colis n'a subi aucune mauvaises manipulations, de bosses ou de dommages (visible ou cachée), notez-le sur le bond de livraison avant d'accepter la livraison et contactez Omcan dans les 24 heures qui suivent, pour que nous puissions engager une réclamation auprès du transporteur. Un rapport détaillé sur l'étendue des dommages causés à la machine doit être rempli dans un délai de trois jours, à compter de la date de livraison indiquée dans les documents d'expédition. Omcan n'a aucun droit de recours pour les produits endommagés qui ont été expédiés ou cueillis par un tiers transporteur.

**Avant d'utiliser n'importe quel équipement, toujours lire et vous familiariser avec toutes les opérations et les**



## General Information

consignes de sécurité.

Omcan voudrais vous remercier d'avoir choisi cette machine. Il est primordial de conserver ces instructions pour une référence ultérieure. Également conservez la boîte originale et l'emballage pour l'expédition de l'équipement si l'entretien ou le retour de la machine est nécessaire.

Omcan Empresa De Fabricacion Y Distribucion Inc. Y Maquinaria De Alimentos De America, Inc. dba Omcan y Omcan Inc. no son responsables de ningun daño o perjuicio causado por cualquier persona inadecuada o el uso descuidado de este equipo. El producto solo podra ser operado por una persona mayor de 18 años, en su sano juicio y no bajo alguna influencia de droga o alcohol, y que este ha sido entrenado en el correcto funcionamiento de esta máquina, y ésta usando ropa apropiada y autorizada. Cualquier modificación a la máquina anula la garantía y puede causar daños a las personas usando la máquina mientras esta en el funcionamiento.

### REVISE EL PAQUETE A SU LLEGADA

Tras la recepcion de un envio Omcan favor inspeccionar daños externos. Si no hay daños evidentes en el empaque exterior, Habra el carton para asegurarse que todos los articulos solicitados estén dentro de la caja y no encuentre daños ocultos en la máquina. Si el paquete ha sufrido un manejo de poco cuidado, golpes o daños (visible o oculto) por favor anote en la factura antes de aceptar la entrega y contacte Omcan dentro de las 24 horas, de modo que podamos iniciar una reclamación con la compañía. Un informe detallado sobre los daños causados a la máquina debe ser llenado en el plazo de tres días, desde la fecha de entrega que se muestra en los documentos de envío. Omcan no tiene ningun recurso por productos dañados que se enviaron a recoger por terceros.

Antes de utilizar cualquier equipo, siempre lea y familiarizarse con todas las instrucciones de funcionamiento y seguridad.

Omcan le gustaría darle las gracias por la compra de esta máquina. Es de la mayor importancia para salvar estas instrucciones para futuras consultas. Además, guarda la caja original y el embalaje para el envío del equipo si servicio técnico o devolución de la máquina que se requiere.

## Safety and Warranty

### HANDLING AND INSTALLATION

<b>Handle with care</b> Unplug wall socket before moving. Never tilt the refrigerator over 45 degrees during handling.	<b>Storage</b> Always store the refrigerator in a dry place.
---	---

# Safety and Warranty

<p><b>Sufficient space</b> To allow for proper air circulation and increased refrigeration capabilities, the refrigerator must have at least 4 inches of space between wall and unit.</p>	<p><b>Proper ventilation</b> Always place the refrigerator in an area with good ventilation. For first time use, wait at least 2 hours before plugging into wall socket.</p>
<p><b>Away from heat source</b> Never place the refrigerator near any type of heat source or in direct sunlight, as it reduces refrigeration capabilities.</p>	<p><b>No heavy load</b> Never put heavy items on top of the refrigerator.</p>
<p><b>No alterations/tampering</b> Never tamper with or make changes to the refrigerator. Changes and add-ons should not be installed to the inside or outside of the refrigerator.</p>	<p><b>Stable location</b> Unpack and place the refrigerator on flat, solid ground.</p>

## PREPARATION AND POWER SUPPLY

<p><b>Exclusive power outlet</b> Power supply should be 110-120V, single phase AC with exclusive single phase three pin outlet (125V/15A) and fuse. The power outlet must be in close proximity to the ground.</p>	<p><b>No shared power outlets</b> Refrigerator cable should never share the power outlet with any other appliance, as cable will overheat and may result in a fire.</p>
<p><b>Protect cables</b> Extra caution should be used when handling cables, as broken or damaged cables can cause sparking and may result in a fire.</p>	<p><b>No water flushing</b> Never flush the refrigerator surface. This can cause leakage, which may result in electrical damage or fire.</p>
<p><b>Never store flammables and explosives</b> No explosives or flammables should be stored in, or in proximity to, the refrigerator, such as gasoline, alcohol, and adhesives.</p>	<p><b>No spray</b> Never spray flammables such as paint or coating near the refrigerator. This may cause fire or malfunction.</p>
<p><b>After power outage</b> After a power outage or the unplugging of the refrigerator, wait at least 5 minutes before plugging it back in.</p>	<p><b>No medicine</b> Medicine should not be stored inside of the refrigerator.</p>

**RESIDENTIAL USERS:** vendor assumes no liability for parts or labor coverage for component failure or other damages resulting from installation in non-commercial or residential applications. The right is reserved to deny shipment for residential usage; if this occurs, you will be notified as soon as possible.

### 2 YEARS PARTS AND LABOUR & 5 YEARS PARTS ONLY ON COMPRESSOR WARRANTY

Within the warranty period, contact Omcan Inc. at 1-800-465-0234 to schedule an Omcan authorized service technician to repair the equipment locally.

## ***Safety and Warranty***

---

Unauthorized maintenance will void the warranty. Warranty covers electrical and part failures, not improper use.

Please see <https://omcan.com/disclaimer> for complete info.

### **WARNING:**

The packaging components are classified as normal solid urban waste and can therefore be disposed of without difficulty.

**In any case, for suitable recycling, we suggest disposing of the products separately (differentiated waste) according to the current norms.**

**DO NOT DISCARD ANY PACKAGING MATERIALS IN THE ENVIRONMENT!**

# Technical Specifications

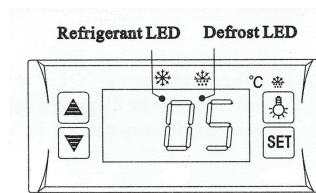
Model	RE-CN-0900C	RE-CN-1200C	RE-CN-1500C	RE-CN-1800C	RE-CN-2100C
Item Number	48570	48571	48572	48573	48604
Power	310 W	350 W	380 W	460 W	510 W
Capacity	120 L / 4.23 cu.ft.	161 L / 5.68 cu.ft.	202 L / 7.13 cu.ft.	243 L / 8.58 cu.ft.	284 L / 10.02 cu.ft.
Exterior Material	Glass / Steel / Plastic				
Interior Material	Glass				
Electrical	110-120V / 60Hz / 1				
Lamp Power	15 W	20 W	30 W	35 W	40 W
Temperature Range	2 - 10°C / 35.6 - 50°F				
Max Ambient Temp Rating	24°C / 75°F				
Noise Level	≤55 db				
Refrigerant and Injection	R290 / 120g	R290 / 155g	R290 / 205g	R290 / 195g	R290 / 275g
Type of Climate	3				
Rated Current	3.5A	3.8A	6.5A	5.1A	5.8A
Foaming Agent	C5H10				
Internal Dimensions	33.5" x 33.5" x 6.3" 852 x 852 x 160mm	45.4" x 33.5" x 6.3" 1152 x 852 x 160mm	57.2" x 33.5" x 6.3" 1452 x 852 x 160mm	69" x 33.5" x 6.3" 1752 x 852 x 160mm	80.8" x 33.5" x 6.3" 2052 x 852 x 160mm
Net Dimensions	37.6" x 37.6" x 33.3" 955 x 955 x 845mm	49.4" x 37.6" x 33.3" 1255 x 955 x 845mm	61.2" x 37.6" x 33.3" 1555 x 955 x 845mm	73" x 37.6" x 33.3" 1855 x 955 x 845mm	84.8" x 37.6" x 33.3" 2155 x 955 x 845mm
Net Weight	226.6 lbs. / 102.8 kgs.	267.9 lbs. / 121.5 kgs.	310.9 lbs. / 141 kgs.	353.6 lbs. / 160.4 kgs.	399.9 lbs. / 181.4 kgs.
Packaging Dimensions	40.4" x 40.4" x 36.2" 1025 x 1025 x 920mm	52.2" x 40.4" x 36.2" 1325 x 1025 x 920mm	64" x 40.4" x 36.2" 1625 x 1025 x 920mm	75.8" x 40.4" x 36.2" 1925 x 1025 x 920mm	87.6" x 40.4" x 36.2" 2225 x 1025 x 920mm
Packaging Weight	312.6 lbs. / 141.8 kgs.	369.7 lbs. / 167.7 kgs.	422.4 lbs. / 191.6 kgs.	483.7 lbs. / 219.4 kgs.	543.2 lbs. / 246.4 kgs.



## BEFORE USE

- Plug refrigerator into the 110-120V exclusive socket.
- After the refrigerator is running, confirm that air suction/filtration is in order and that it is sufficiently cold. After checking to make sure the refrigerator is working properly, it may be used.

## DIGITAL TEMPERATURE CONTROLLER



Small, integrated digital controller, which is applicable to the compressor of 1 HP.

Main functions are: temperature display, temperature control, manual-automatic, light control, value storing, self-testing, parameter locking.

## FRONT PANEL OPERATION

1. Set temperature: press **SET** button; set temperature will be displayed. Press **▲** or **▼** button to modify and store the displayed value. Press **SET** button to exit the adjustment and display the cold-room temperature.
2. If no button is pressed within 10 seconds, the cold-room temperature will be displayed.
3. Lighting: press **☺** button to activate light in refrigerator; press again to turn off. Manual start/stop defrost: press **☺** button and hold for 6 seconds to either defrost or to stop defrost.
4. Refrigeration LED: during refrigeration, the LED is on. When the cold room temperature is constant, the LED is off. During delay start, the LED flashes.
5. Defrost LED: during defrosting, the LED is on. When it stops defrosting, the LED is off. During the delay of defrost, the LED flashed.
6. Digital controller reset: when display shows "Disorder", press **▼** button for 2s until buzzer rings, quickly press **▲** button for 6s until buzzer rings again, the display will flash for 3s and it restores factory setting.

## CAUTIONS

Shorten the door open time and reduce open frequency is good to keep a cold temperature inside the refrigerator. Never block the air suction and outlet. Keep air circulation and refrigeration capability. Do not make food congested as it will influence the cooling effect. Adjust the rack height for proper food storage. Cool the hot food down to room temperature before you put it into the refrigerator. Try to reduce the open times and keep refrigerator inside cold in case the power is cut off. Only skilled service man is allowed to repair the damaged power cable with special tools. Never touch compressor to avoid from scald. If the supply cord is damaged, it must be replaced by the manufacturer, its service agent or similarly qualified persons in order to avoid a hazard.

This appliance is not intended for use by persons (including children) with reduced physical, sensory or mental capabilities, or lack of experience and knowledge, unless they have been given supervision or instruction

## Operation

---

concerning use of the appliance by a person responsible for their safety. Children should be supervised to ensure that they do not play with the appliance. The operation manual are not suitable for the persons (including children) with reduced physical, sensory or mental capabilities, or lack of experience and knowledge. Do not store explosive substances such as aerosol cans with a flammable propellant in this appliance. During normal operation, the emission noise level does not exceed 70dB(A). The maximum loading of the shelf does not exceed 18kg(39.7lb). The climatic class of the appliance is 4, the units are suggested to be used at 16°C-32°C(60.8°F-89.6°F) ambient temperature. To avoid damages or other problems, this product can not be put or stored with any corrosive food.

**WARNING: keep ventilation openings, in the appliance enclosure or in the built-in structure, clear of obstruction.**

**WARNING: do not use mechanical devices of other means to accelerate the defrosting process, other than those recommended by the manufacturer.**

**WARNING: do not damage the refrigerant circuit.**

**WARNING: do not use electrical appliances inside the food storage compartments of the appliance, unless they are of the type recommended by the manufacturer.**

### ADDITIONAL WARNING

**Caution: risk of fire. The height of the triangle in the symbol shall be at least 15mm.**

### DRAINAGE INSTRUCTION

A warning for full water tank. Please do drainage when controller slowly flashes "FUL" with a beep.

1. The controller makes a beep when water tank is filling.
2. Open the door at the bottom.
3. Hold the tank handle and pull it out entirely.
4. Pour out water by tilting water tank over 90 degree.
5. Insert the empty water tank and close the door.

Do not put your hands inside product when tank is out. Make sure the tank is inserted to the end, otherwise drainage function will be affected. If the tank is not inserted to the end, water sensor can't tell when tank is full.

## Maintenance

---

1. Notice: often keep the refrigerator clean and periodical maintenance is necessary. Always unplug the socket before maintenance. Never use damaged plug or loose socket to prevent from electric shock or short circuit. Never flush the refrigerator. Never use alkali detergent, soap, gasoline, acetone or brush.
2. Clean outside: dip soft cloth in neutral detergent (tableware detergent) to clean the outside of the refrigerator and then wipe it with dry soft cloth.
3. Clean inside: take rack out for cleaning with water. Use soft cloth to wipe the box.
4. Shut down refrigerator for a long time. Take all food out and unplug the wall socket. Clean both inside and outside of the refrigerator thoroughly and open the door for sufficient dry. The glass breaks easily. Keep the

# Maintenance

glass far from children.

- Replacement of lamp in the light box. If the LED lamp is damaged, it must be replaced by the manufacturer, its service agent.

# Troubleshooting

Trouble	Cause and Remedy
No refrigeration.	Is the plug fitting in the socket?
	Is the fuse broken?
	Is there no power?
Unsatisfactory refrigeration.	Is it under sunshine? Is there any heat source nearby?
	Is the surrounding ventilation poor?
	Is the door closed? Is the door open for a long period of time?
	Is the door seal strip deformed or damaged?
	Is there too much food?
	Does food block the air suction or outlet?
	Regulate the temperature controller.
Noisy.	The refrigerator is not level.
	The refrigerator contacts the wall or other matter.
	There is loose part in refrigerator.
Contact Omcan for help if simple troubleshooting does not solve the problems.	

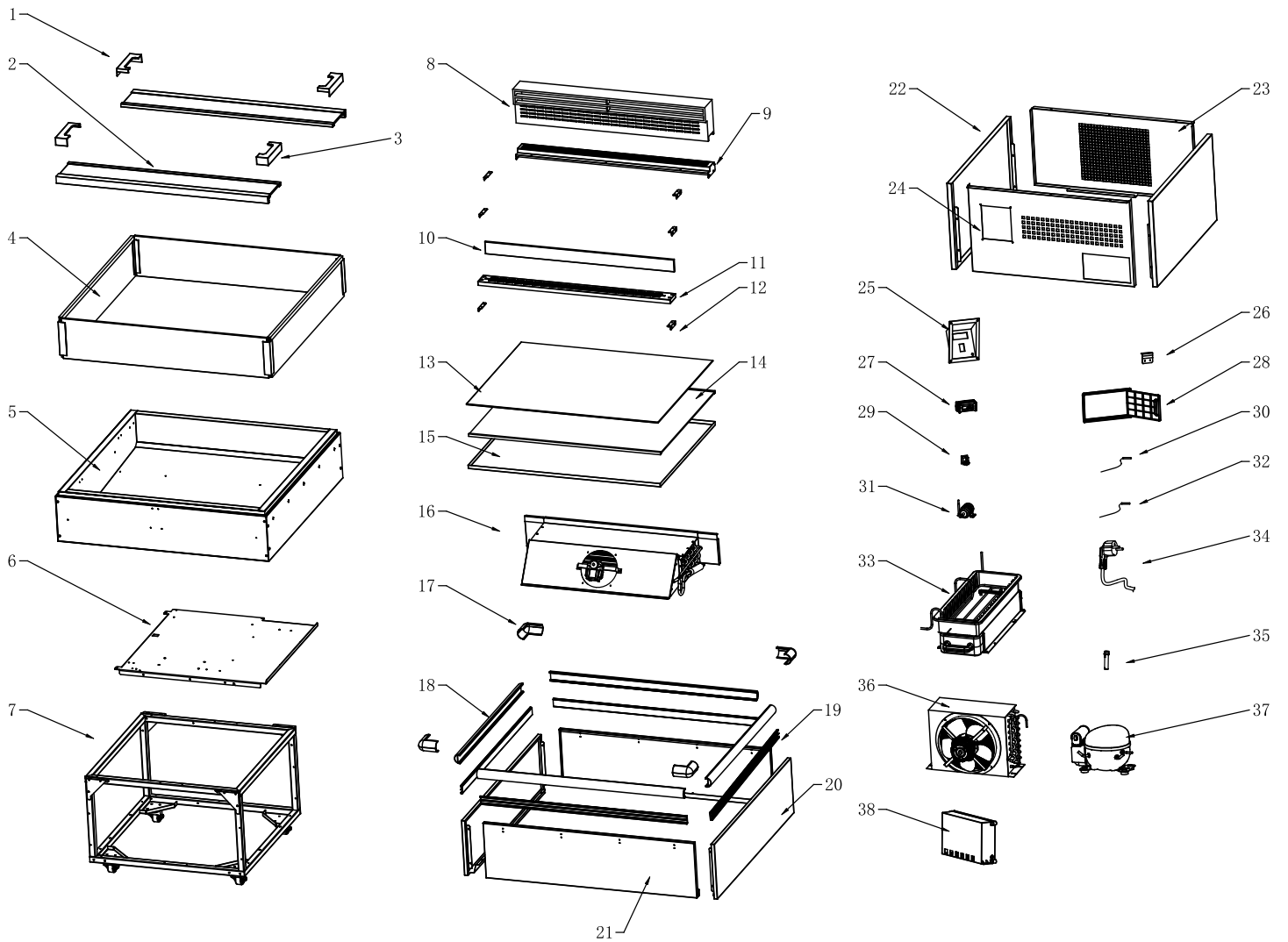
## NOTE

### Following occurrences are not problems:

- The murmur of water is heard when the refrigerator is working. It is a normal occurrence as the coolant is circulating in the system.
- When the weather is damp, condensation might be found on the outside of the refrigerator. It is caused by high humidity. Simply use cloth to wipe it off.

# Parts Breakdown

## Model RE-CN-0900C 48570



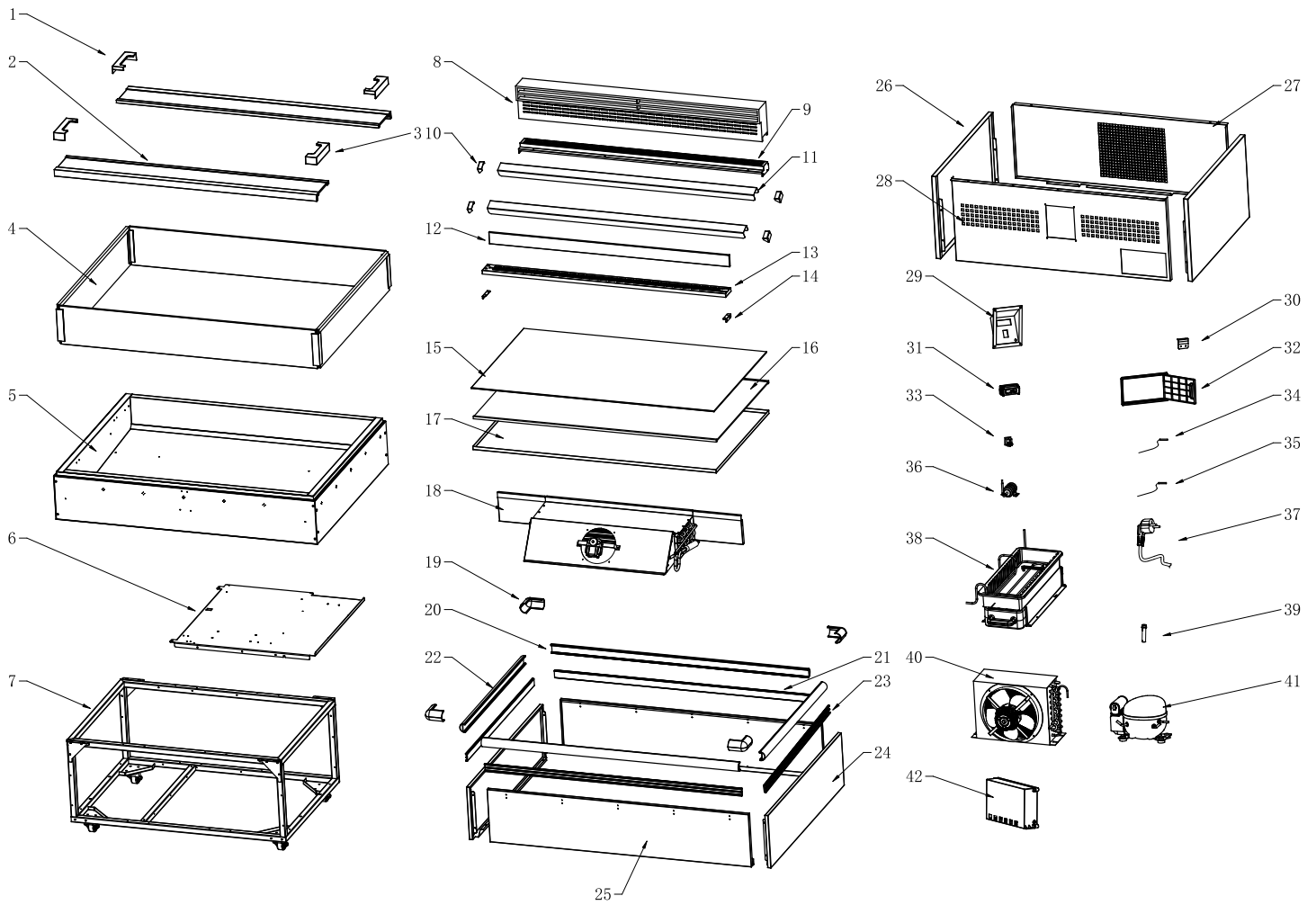
# Parts Breakdown

## Model RE-CN-0900C 48570

Item No.	Description	Position	Item No.	Description	Position	Item No.	Description	Position
AU120	Top Glass Left Cover for 48570	1	AU140	Light Guide Plate for 48570	14	AU160	Filter Connection for 48570	31
AU121	Top Glass Front Edge Strip for 48570	2	AU141	LED for 48570	14	AU161	Filter Pressing Plate for 48570	31
AU122	Front and Rear Glass Edge Strip for 48570	2	AU142	Light Guide Plate Light Bar Fastener for 48570	14	AR274	Overheating Probe for 48570	32
AU123	Upper Windshield for 48570	2	AU143	Light Guide Plate Placement Plate for 48570	15	AU162	High Pressure Vaporized Copper Pipe for 48570	33
AU124	Top Glass Right Cover for 48570	3	AU144	Evaporator Fixed Plate for 48570	16	AT796	Water Box for 48570	33
AU125	Right Angle Edge Strip for 48570	4	AU145	Evaporator Fixed Plate Left Plate for 48570	16	AU163	Paper Water Curtain for 48570	33
AU126	Left and Right Glass Edge Strip for 48570	4	AU146	Evaporator Fixed Plate Right Plate for 48570	16	AT797	Cover Plate for 48570	33
AU127	Front and Rear Windshield for 48570	4	AU147	Evaporator Left Windshield for 48570	16	AT798	Water Storage Box for 48570	33
AU128	Left and Right Windshield for 48570	4	AU148	Evaporator Right Windshield for 48570	16	AT799	Door Status Sensor Proximity Switch for 48570	33
AU129	Box Foam Assembly for 48570	5	AU149	Evaporator for 48570	16	AT800	Water Box Left Fixed Plate for 48570	33
AT776	Drain Pipe Connection for 48570	5	AU150	Evaporator Motor for 48570	16	AT801	Water Box Cover Fixing Plate for 48570	33
AL817	Water Leakage Pipe for 48570	5	AU151	Frame Edge Strip Sleeve for 48570	17	AT802	Water Box Cover Plate for 48570	33
AU130	Drain Pipe Circlip for 48570	5	AU152	Frame Edge Strip for 48570	18	AT795	Water Storage Box Baffle for 48570	33
AR345	Nut for 48570	5	AU153	Frame Edge Strip Slot for 48570	19	AT816	American Semi-Finished Power Cord for 48570	34
AU131	Base Plate for 48570	6	AU154	Side Top Frame for 48570	20	AT803	Water Level Monitoring Pipe for 48570	35
AU132	Chassis Part for 48570	7	AU155	Front and Back Top Frame for 48570	21	AT804	Water Level Monitoring Diversion Device for 48570	35
AR333	Castor for 48570	7	AU156	Side Lower Frame for 48570	22	AT805	Water Level Monitoring Sleeve for 48570	35
AR526	Caster for 48570	7	AU157	Front Lower Frame for 48570	23	AL812	Condenser for 48570	36
AT813	Box Base Left Connector for 48570	7	AU158	Rear Lower Frame for 48570	24	AR527	Motor for 48570	36
AT814	Box Base Right Connector for 48570	7	AT792	Switch Panel for 48570	25	AL827	Flange for 48570	36
AU133	Air Outlet Deflector for 48570	8	AU159	Frame Support for 48570	26	AL828	Condenser Fan for 48570	36
AU134	Air Outlet for 48570	9	AR356	Display for 48570	27	AT806	Compressor for 48570	37
AU135	Baffle Glass for 48570	10	AT787	Water Box Door for 48570	28	AT809	Digital Control for 48570	38
AU136	Air Intake for 48570	11	AT788	Water Box Door Body for 48570	28	AU164	Switch for 48570	38
AU137	Baffle Glass Fastener for 48570	11	AL834	Switch for 48570	29	AT807	Junction Box Bottom for 48570	38
AU138	Light Guide Plate Support for 48570	12	AR273	Temp Probe for 48570	30	AT808	Junction Box Cover for 48570	38
AU139	Plate Glass for 48570	13	AL818	Dry Filter for 48570	31			

# Parts Breakdown

## Model RE-CN-1200C 48571



# Parts Breakdown

## Model RE-CN-1200C 48571

Item No.	Description	Position	Item No.	Description	Position	Item No.	Description	Position
AU120	Top Glass Left Cover for 48571	1	AU177	Baffle Glass Fastener for 48571	13	AR356	Display for 48571	31
AU165	Top Glass Front Edge Strip for 48571	2	AU138	Light Guide Plate Support for 48571	14	AT787	Water Box Door for 48571	32
AU166	Front and Rear Glass Edge Strip for 48571	2	AU178	Plate Glass for 48571	15	AT788	Water Box Door Body for 48571	32
AU167	Upper Windshield for 48571	2	AU179	Light Guide Plate for 48571	16	AL834	Switch for 48571	33
AU124	Top Glass Right Cover for 48571	3	AU180	LED for 48571	16	AR273	Temp Probe for 48571	34
AU125	Right Angle Edge Strip for 48571	4	AU181	Light Guide Plate Light Bar Fastener for 48571	16	AR274	Overheating Probe for 48571	35
AU126	Left and Right Glass Edge Strip for 48571	4	AU182	Light Guide Plate Placement Plate for 48571	17	AL818	Dry Filter for 48571	36
AU168	Front and Rear Windshield for 48571	4	AU144	Evaporator Fixed Plate for 48571	18	AU160	Filter Connection for 48571	36
AU128	Left and Right Windshield for 48571	4	AU145	Evaporator Fixed Plate Left Plate for 48571	18	AR347	Dry Filter Plate for 48571	36
AU169	Box Foam Assembly for 48571	5	AU146	Evaporator Fixed Plate Right Plate for 48571	18	AT816	American Semi-Finished Power Cord for 48571	37
AT776	Drain Pipe Connection for 48571	5	AU183	Evaporator Left Windshield for 48571	18	AU162	High Pressure Vaporized Copper Pipe for 48571	38
AL817	Water Leakage Pipe for 48571	5	AU184	Evaporator Right Windshield for 48571	18	AT796	Water Box for 48571	38
AU130	Drain Pipe Circlip for 48571	5	AU149	Evaporator for 48571	18	AU163	Paper Water Curtain for 48571	38
AR345	Nut for 48571	5	AU150	Evaporator Motor for 48571	18	AT797	Cover Plate for 48571	38
AU131	Base Plate for 48571	6	AU151	Frame Edge Strip Sleeve for 48571	19	AT798	Water Storage Box for 48571	38
AU170	Chassis Part for 48571	7	AU185	Frame Edge Strip for 48571	20	AT799	Magnetic Door Contact for 48571	38
AR333	Castor for 48571	7	AU186	Frame Edge Strip Slot for 48571	21	AT800	Water Box Left Fixed Plate for 48571	38
AR526	Caster for 48571	7	AU152	Frame Edge Strip for 48571	22	AT801	Water Box Right Fixed Plate for 48571	38
AT813	Box Base Left Connector for 48571	7	AU153	Frame Edge Strip Slot for 48571	23	AT802	Water Box Pressing Plate for 48571	38
AT814	Box Base Right Connector for 48571	7	AU154	Side Top Frame for 48571	24	AT795	Water Storage Box Baffle for 48571	38
AU171	Air Outlet Deflector for 48571	8	AU187	Front and Back Top Frame for 48571	25	AT803	Water Level Monitoring Pipe for 48571	39
AU172	Air Outlet for 48571	9	AU156	Side Lower Frame for 48571	26	AT804	Water Level Monitoring Diversion Device for 48571	39
AU173	Light Guide Plate Support Fastener for 48571	10	AU188	Front Lower Frame for 48571	27	AT805	Water Level Monitoring Sleeve for 48571	39
AU174	Light Guide Plate Support for 48571	11	AU189	Rear Lower Frame for 48571	28	AL812	Condenser for 48571	40
AU175	Baffle Glass for 48571	12	AT792	Switch Panel for 48571	29	AR527	Motor for 48571	40
AU176	Air Intake for 48571	13	AU159	Frame Support for 48571	30	AL827	Flange for 48571	40

# Parts Breakdown

---

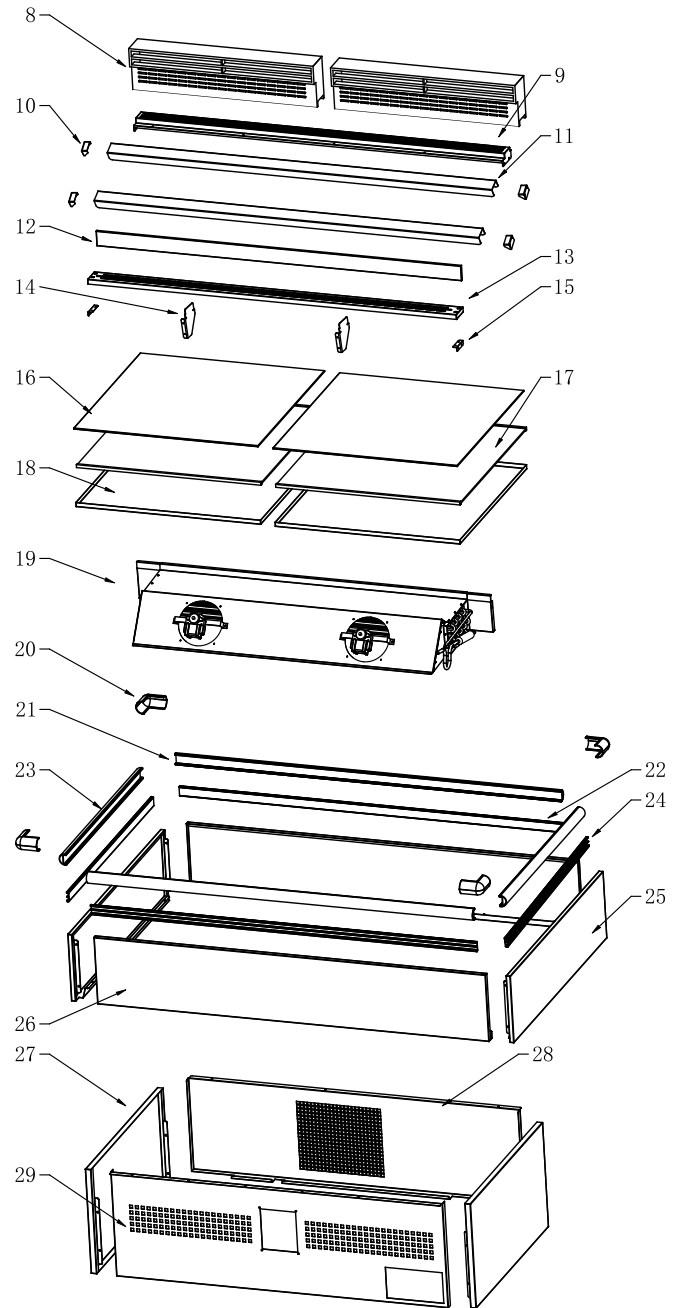
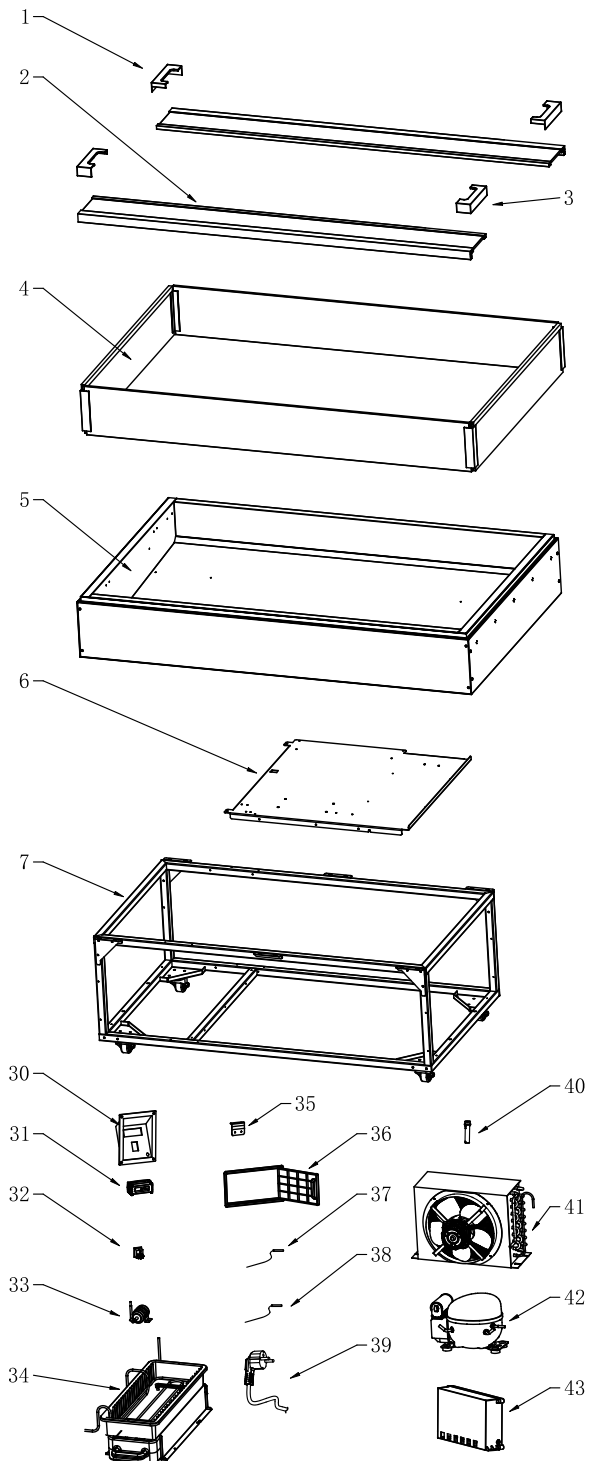
## Model RE-CN-1200C 48571

Item No.	Description	Position	Item No.	Description	Position	Item No.	Description	Position
AL828	Condenser Fan for 48571	40	AT809	Digital Control for 48571	42	AT807	Junction Box Bottom for 48571	42
AT806	Compressor for 48571	41	AU164	Switch for 48571	42	AT808	Junction Box Cover for 48571	42



# Parts Breakdown

## Model RE-CN-1500C 48572



# Parts Breakdown

## Model RE-CN-1500C 48572

Item No.	Description	Position	Item No.	Description	Position	Item No.	Description	Position
AU120	Top Glass Left Cover for 48572	1	AU201	Air Intake for 48572	13	AT792	Switch Panel for 48572	30
AU190	Top Glass Front Edge Strip for 48572	2	AU202	Baffle Glass Fastener for 48572	13	AR356	Display for 48572	31
AU191	Front and Rear Glass Edge Strip for 48572	2	AU203	Air Intake Support for 48572	14	AL834	Switch for 48572	32
AU192	Upper Windshield for 48572	2	AU138	Light Guide Plate Support for 48572	15	AL818	Dry Filter for 48572	33
AU124	Top Glass Right Cover for 48572	3	AU204	Plate Glass for 48572	16	AU160	Filter Connection for 48572	33
AU125	Right Angle Edge Strip for 48572	4	AU205	Light Guide Plate for 48572	17	AR347	Dry Filter Plate for 48572	33
AU126	Left and Right Glass Edge Strip for 48572	4	AU206	LED for 48572	17	AU162	High Pressure Vaporized Copper Pipe for 48572	34
AU193	Front and Rear Windshield for 48572	4	AU207	Light Guide Plate Light Bar Fastener for 48572	17	AT796	Water Box for 48572	34
AU128	Left and Right Windshield for 48572	4	AU208	Light Guide Plate Placement Plate for 48572	18	AU163	Paper Water Curtain for 48572	34
AU194	Box Foam Assembly for 48572	5	AU209	Evaporator Fixed Plate for 48572	19	AT797	Cover Plate for 48572	34
AT776	Drain Pipe Connection for 48572	5	AU145	Evaporator Fixed Plate Left Plate for 48572	19	AT798	Water Storage Box for 48572	34
AL817	Water Leakage Pipe for 48572	5	AU146	Evaporator Fixed Plate Right Plate for 48572	19	AT799	Magnetic Door Contact for 48572	34
AU130	Drain Pipe Circlip for 48572	5	AU147	Evaporator Left Windshield for 48572	19	AT800	Water Box Left Fixing Plate for 48572	34
AR345	Nut for 48572	5	AU148	Evaporator Right Windshield for 48572	19	AT801	Water Box Cover Fixing Plate for 48572	34
AU131	Base Plate for 48572	6	AU210	Evaporator for 48572	19	AT802	Water Box Cover Plate for 48572	34
AU195	Chassis Part for 48572	7	AU150	Evaporator Motor for 48572	19	AT795	Water Storage Box Baffle for 48572	34
AR333	Castor for 48572	7	AU151	Frame Edge Strip Sleeve for 48572	20	AU159	Frame Support for 48572	35
AR526	Caster for 48572	7	AU211	Frame Edge Strip for 48572	21	AT787	Water Box Door for 48572	36
AU196	Box Base Connector for 48572	7	AU212	Frame Edge Strip Slot for 48572	22	AT788	Water Box Door Body for 48572	36
AT813	Box Base Left Connector for 48572	7	AU152	Frame Edge Strip for 48572	23	AR273	Temp Probe for 48572	37
AT814	Box Base Right Connector for 48572	7	AU153	Frame Edge Strip Slot for 48572	24	AR274	Overheating Probe for 48572	38
AU197	Air Outlet Deflector for 48572	8	AU154	Side Top Frame for 48572	25	AT816	American Semi-Finished Power Cord for 48572	39
AU198	Air Outlet for 48572	9	AU213	Front and Back Top Frame for 48572	26	AT803	Water Level Monitoring Pipe for 48572	40
AU173	Light Guide Plate Support Fastener for 48572	10	AU156	Side Lower Frame for 48572	27	AT804	Water Level Monitoring Diversion Device for 48572	40
AU199	Light Guide Plate Support for 48572	11	AU214	Front Lower Frame for 48572	28	AT805	Water Level Monitoring Sleeve for 48572	40
AU200	Baffle Glass for 48572	12	AU215	Rear Lower Frame for 48572	29	AL812	Condenser for 48572	41



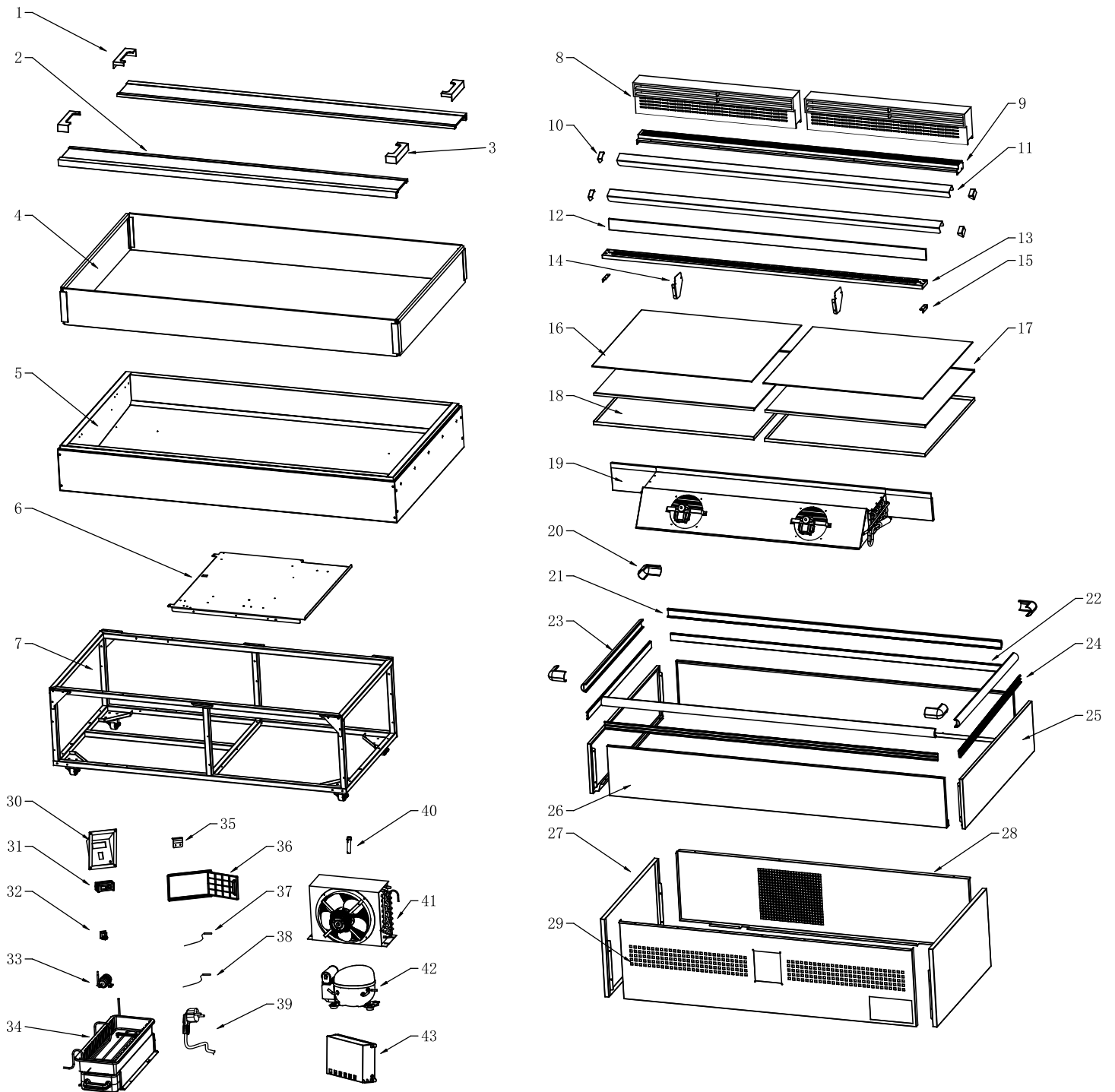
# Parts Breakdown

## Model RE-CN-1500C 48572

Item No.	Description	Position	Item No.	Description	Position	Item No.	Description	Position
AR527	Motor for 48572	41	AU216	Compressor for 48572	42	AT807	Junction Box Bottom for 48572	43
AL827	Flange for 48572	41	AT809	Digital Control for 48572	43	AT808	Junction Box Cover for 48572	43
AL828	Condenser Fan for 48572	41	AU164	Switch for 48572	43			

# Parts Breakdown

## Model RE-CN-1800C 48573





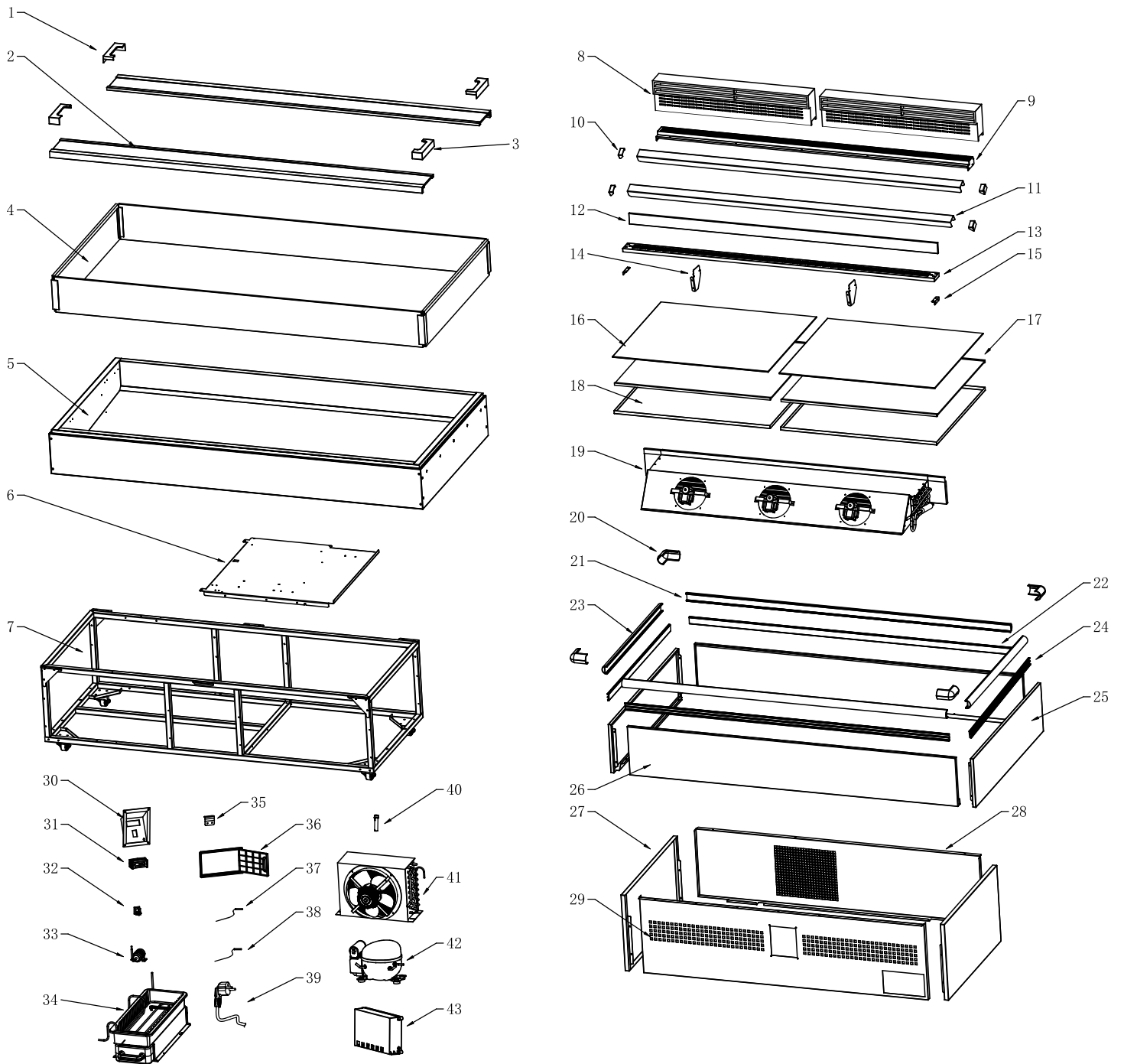
# Parts Breakdown

## Model RE-CN-1800C 48573

Item No.	Description	Position	Item No.	Description	Position	Item No.	Description	Position
AU120	Top Glass Left Cover for 48573	1	AU203	Air Intake Support for 48573	14	AU160	Filter Connection for 48573	33
AU217	Top Glass Front Edge Strip for 48573	2	AU138	Light Guide Plate Support for 48573	15	AR347	Dry Filter Plate for 48573	33
AU218	Front and Rear Glass Edge Strip for 48573	2	AU229	Plate Glass for 48573	16	AU162	High Pressure Vaporized Copper Pipe for 48573	34
AU219	Upper Windshield for 48573	2	AU230	Light Guide Plate for 48573	17	AT796	Water Box for 48573	34
AU124	Top Glass Right Cover for 48573	3	AU231	LED for 48573	17	AU163	Paper Water Curtain for 48573	34
AU125	Right Angle Edge Strip for 48573	4	AU232	Light Guide Plate Light Bar Fastener for 48573	17	AT797	Cover Plate for 48573	34
AU126	Left and Right Glass Edge Strip for 48573	4	AU233	Light Guide Plate Placement Plate for 48573	18	AT798	Water Storage Box for 48573	34
AU220	Front and Rear Windshield for 48573	4	AU209	Evaporator Fixed Plate for 48573	19	AT799	Magnetic Door Contact for 48573	34
AU128	Left and Right Windshield for 48573	4	AU145	Evaporator Fixed Plate Left Plate for 48573	19	AT800	Water Box Left Fixing Plate for 48573	34
AU221	Box Foam Assembly for 48573	5	AU146	Evaporator Fixed Plate Right Plate for 48573	19	AT801	Water Box Cover Fixing Plate for 48573	34
AT776	Drain Pipe Connection for 48573	5	AU183	Evaporator Left Windshield for 48573	19	AT802	Water Box Cover Plate for 48573	34
AL817	Water Leakage Pipe for 48573	5	AU184	Evaporator Right Windshield for 48573	19	AT795	Water Storage Box Baffle for 48573	34
AU130	Drain Pipe Circlip for 48573	5	AU210	Evaporator for 48573	19	AU159	Frame Support for 48573	35
AR345	Nut for 48573	5	AU150	Evaporator Motor for 48573	19	AT787	Water Box Door for 48573	36
AU131	Base Plate for 48573	6	AU151	Frame Edge Strip Sleeve for 48573	20	AT788	Water Box Door Body for 48573	36
AU222	Chassis Part for 48573	7	AU234	Frame Edge Strip for 48573	21	AR273	Temp Probe for 48573	37
AR333	Castor for 48573	7	AU235	Frame Edge Strip Slot for 48573	22	AR274	Overheating Probe for 48573	38
AR526	Caster for 48573	7	AU152	Frame Edge Strip for 48573	23	AT816	American Semi-Finished Power Cord for 48573	39
AU196	Box Base Connector for 48573	7	AU153	Frame Edge Strip Slot for 48573	24	AT803	Water Level Monitoring Pipe for 48573	40
AT813	Box Base Left Connector for 48573	7	AU154	Side Top Frame for 48573	25	AT804	Water Level Monitoring Diversion Device for 48573	40
AT814	Box Base Right Connector for 48573	7	AU236	Front and Back Top Frame for 48573	26	AT805	Water Level Monitoring Sleeve for 48573	40
AU223	Air Outlet Deflector for 48573	8	AU156	Side Lower Frame for 48573	27	AL812	Condenser for 48573	41
AU224	Air Outlet for 48573	9	AU237	Front Lower Frame for 48573	28	AR527	Motor for 48573	41
AU173	Light Guide Plate Support Fastener for 48573	10	AU238	Rear Lower Frame for 48573	29	AL827	Flange for 48573	41
AU225	Light Guide Plate Support for 48573	11	AT792	Switch Panel for 48573	30	AL828	Condenser Fan for 48573	41
AU226	Baffle Glass for 48573	12	AR356	Display for 48573	31	AU216	Compressor for 48573	42
AU227	Air Intake for 48573	13	AL834	Switch for 48573	32	AT809	Digital Control for 48573	43
AU228	Baffle Glass Fastener for 48573	13	AL818	Dry Filter for 48573	33	AU164	Switch for 48573	43

# Parts Breakdown

**Model RE-CN-2100C** 48604



# Parts Breakdown

## Model RE-CN-2100C 48604

Item No.	Description	Position	Item No.	Description	Position	Item No.	Description	Position
AU120	Top Glass Left Cover for 48604	1	AU203	Air Intake Support for 48604	14	AU160	Filter Connection for 48604	33
AU239	Top Glass Front Edge Strip for 48604	2	AU138	Light Guide Plate Support for 48604	15	AR347	Filter Pressing Plate for 48604	33
AU240	Front and Rear Glass Edge Strip for 48604	2	AU251	Plate Glass for 48604	16	AU162	High Pressure Vaporized Copper Pipe for 48604	34
AU241	Upper Windshield for 48604	2	AU252	Light Guide Plate for 48604	17	AT796	Water Box for 48604	34
AU124	Top Glass Right Cover for 48604	3	AU253	LED for 48604	17	AU163	Paper Water Curtain for 48604	34
AU125	Right Angle Edge Strip for 48604	4	AU254	Light Guide Plate Light Bar Fastener for 48604	17	AT797	Cover Plate for 48604	34
AU126	Left and Right Glass Edge Strip for 48604	4	AU255	Light Guide Plate Placement Plate for 48604	18	AT798	Water Storage Box for 48604	34
AU242	Front and Rear Windshield for 48604	4	AU256	Evaporator Fixed Plate for 48604	19	AT799	Magnetic Door Contact for 48604	34
AU128	Left and Right Windshield for 48604	4	AU145	Evaporator Fixed Plate Left Plate for 48604	19	AT800	Water Box Left Fixing Plate for 48604	34
AU243	Box Foam Assembly for 48604	5	AU146	Evaporator Fixed Plate Right Plate for 48604	19	AT801	Water Box Cover Fixing Plate for 48604	34
AT776	Drain Pipe Connection for 48604	5	AU147	Evaporator Left Windshield for 48604	19	AT802	Water Box Cover Plate for 48604	34
AL817	Water Leakage Pipe for 48604	5	AU148	Evaporator Right Windshield for 48604	19	AT795	Water Storage Box Baffle for 48604	34
AU130	Drain Pipe Circlip for 48604	5	AU257	Evaporator for 48604	19	AU159	Frame Support for 48604	35
AR345	Nut for 48604	5	AU150	Evaporator Motor for 48604	19	AT787	Water Box Door for 48604	36
AU131	Base Plate for 48604	6	AU151	Frame Edge Strip Sleeve for 48604	20	AT788	Water Box Door Body for 48604	36
AU244	Chassis Part for 48604	7	AU258	Frame Edge Strip for 48604	21	AR273	Temp Probe for 48604	37
AR333	Castor for 48604	7	AU259	Frame Edge Strip Slot for 48604	22	AR274	Overheating Probe for 48604	38
AR526	Caster for 48604	7	AU152	Frame Edge Strip for 48604	23	AT816	American Semi-Finished Power Cord for 48604	39
AU196	Box Base Connector for 48604	7	AU153	Frame Edge Strip Slot for 48604	24	AT803	Water Level Monitoring Pipe for 48604	40
AT813	Box Base Left Connector for 48604	7	AU154	Side Top Frame for 48604	25	AT804	Water Level Monitoring Diversion Device for 48604	40
AT814	Box Base Right Connector for 48604	7	AU260	Front and Back Top Frame for 48604	26	AT805	Water Level Monitoring Sleeve for 48604	40
AU245	Air Outlet Deflector for 48604	8	AU156	Side Lower Frame for 48604	27	AL812	Condenser for 48604	41
AU246	Air Outlet for 48604	9	AU261	Front Lower Frame for 48604	28	AR527	Motor for 48604	41
AU173	Light Guide Plate Support Fastener for 48604	10	AU262	Rear Lower Frame for 48604	29	AL827	Flange for 48604	41
AU247	Light Guide Plate Support for 48604	11	AT792	Switch Panel for 48604	30	AL828	Condenser Fan for 48604	41
AU248	Baffle Glass for 48604	12	AR356	Display for 48604	31	AU216	Compressor for 48604	42
AU249	Air Intake for 48604	13	AL834	Switch for 48604	32	AT809	Digital Control for 48604	43
AU250	Baffle Glass Fastener for 48604	13	AL818	Dry Filter for 48604	33	AU164	Switch for 48604	43

# Electrical Schematics

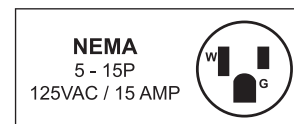
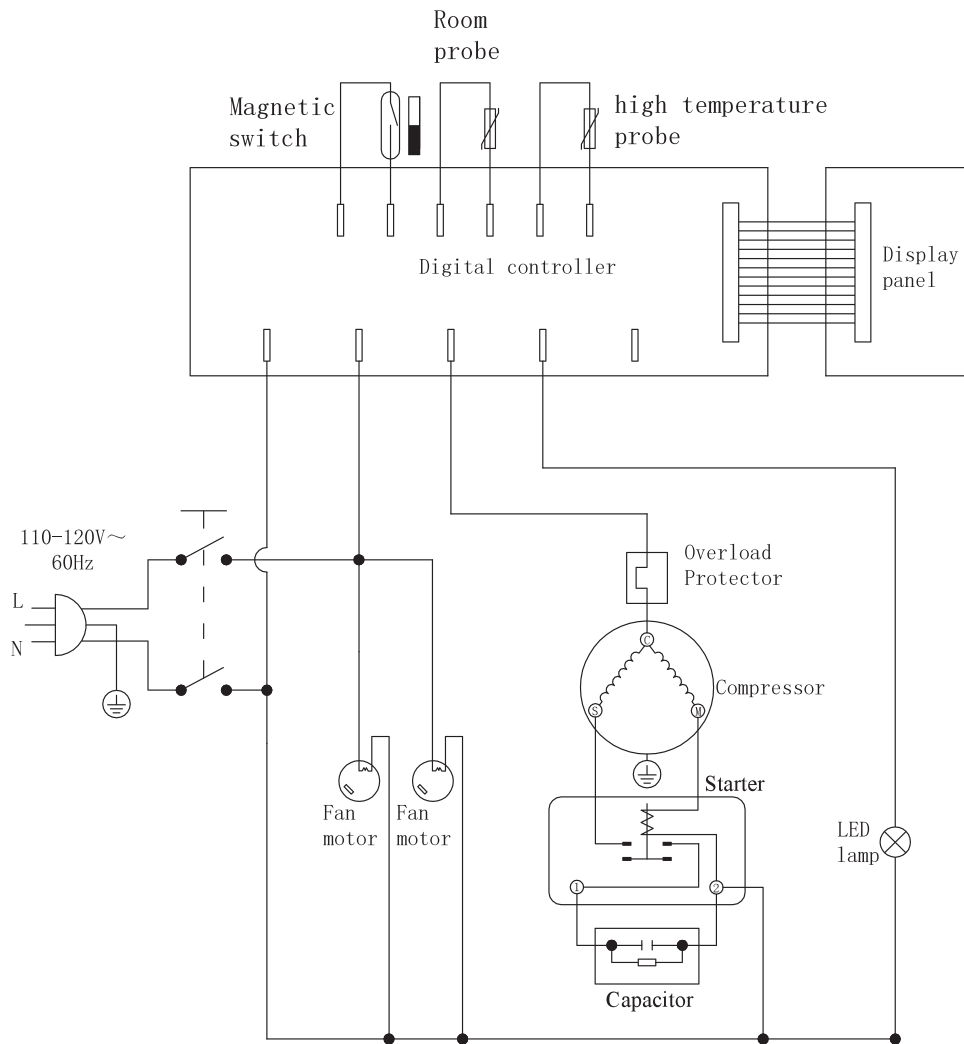
**Model RE-CN-0900C** 48570

**Model RE-CN-1200C** 48571

**Model RE-CN-1500C** 48572

**Model RE-CN-1800C** 48573

**Model RE-CN-2100C** 48604











# Warranty Registration

Thank you for purchasing an Omcan product. To register your warranty for this product, complete the information below, tear off the card at the perforation and then send to the address specified below. You can also register online by visiting:

Merci d'avoir acheté un produit Omcan. Pour enregistrer votre garantie pour ce produit, complétez les informations ci-dessous, détachez la carte au niveau de la perforation, puis l'envoyer à l'adresse spécifiée ci-dessous. Vous pouvez également vous inscrire en ligne en visitant:

Gracias por comprar un producto Omcan usted. Para registrar su garantía para este producto, complete la información a continuación, cortar la tarjeta en la perforación y luego enviarlo a la dirección indicada a continuación. También puede registrarse en línea en:

<https://omcan.com/warranty-registration/>

For mailing in Canada

Pour postale au Canada

Por correo en Canadá

**OMCAN**

PRODUCT WARRANTY REGISTRATION

3115 Pepper Mill Court,  
Mississauga, Ontario  
Canada, L5L 4X5

For mailing in the US

Pour diffusion aux États-Unis

Por correo en los EE.UU.

**OMCAN**

PRODUCT WARRANTY REGISTRATION

4450 Witmer Industrial Estates, Unit 4,  
Niagara Falls, New York  
USA, 14305

*or email to: [service@omcan.com](mailto:service@omcan.com)*



Purchaser's Information

Name: \_\_\_\_\_

Address: \_\_\_\_\_

City: \_\_\_\_\_ Province or State: \_\_\_\_\_ Postal or Zip: \_\_\_\_\_

Country: \_\_\_\_\_

Dealer from which Purchased: \_\_\_\_\_

Dealer City: \_\_\_\_\_ Dealer Province or State: \_\_\_\_\_

Invoice: \_\_\_\_\_

Model Name: \_\_\_\_\_ Model Number: \_\_\_\_\_

Machine Description: \_\_\_\_\_

Date of Purchase (MM/DD/YYYY): \_\_\_\_\_

Would you like to extend the warranty?  Yes  No

Company Name: \_\_\_\_\_

Telephone: \_\_\_\_\_

Email Address: \_\_\_\_\_

Type of Company:

Restaurant  Bakery  Deli

Butcher  Supermarket  Caterer

Institution (specify): \_\_\_\_\_

Other (specify): \_\_\_\_\_

Serial Number: \_\_\_\_\_

Date of Installation (MM/DD/YYYY): \_\_\_\_\_

**Thank you for choosing Omcan | Merci d'avoir choisi Omcan | Gracias por elegir Omcan**



Since 1951 Omcan has grown to become a leading distributor of equipment and supplies to the North American food service industry. Our success over these many years can be attributed to our commitment to strengthen and develop new and existing relationships with our valued customers and manufacturers. Today with partners in North America, Europe, Asia and South America, we continually work to improve and grow the company. We strive to offer customers exceptional value through our qualified local sales and service representatives who provide convenient access to over 6,500 globally sourced products.

---

Depuis 1951 Omcan a grandi pour devenir un des "leaders" de la distribution des équipements et matériel pour l'industrie des services alimentaires en Amérique du Nord. Notre succès au cours de ces nombreuses années peut être attribué à notre engagement à renforcer et à développer de nouvelles et existantes relations avec nos clients et les fabricants de valeur. Aujourd'hui avec des partenaires en Amérique du Nord, Europe, Asie et Amérique du Sud, nous travaillons continuellement à améliorer et développer l'entreprise. Nous nous efforçons d'offrir à nos clients une valeur exceptionnelle grâce à nos ventes locales qualifiées et des représentants de service qui offrent un accès facile à plus de 6500 produits provenant du monde entier.

---

Desde 1951 Omcan ha crecido hasta convertirse en un líder en la distribución de equipos y suministros de alimentos en América del Norte industria de servicios. Nuestro éxito en estos años se puede atribuir a nuestro compromiso de fortalecer y desarrollar nuevas relaciones existentes con nuestros valiosos clientes y fabricantes. Hoy con socios de América del Norte, Europa, Asia y América del Sur, que trabajan continuamente para mejorar y crecer la empresa. Nos esforzamos por ofrecer a nuestros clientes valor excepcional a través de nuestro local de ventas y representantes de los servicios que proporcionan un fácil acceso a más de 6,500 productos con origen a nivel mundial.

