



Beverage Cooler

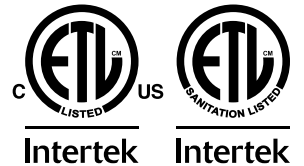
Model BB-CN-350S

Item 48579

Instruction Manual



Revised - 02/07/2025



Toll Free: 1-800-465-0234
Fax: 905-607-0234
Email: service@omcan.com
www.omcan.com



Table of Contents

Model BB-CN-350S

Section	Page
Disclaimer -----	3
General Information -----	4 - 5
Safety and Warranty -----	5 - 6
Technical Specifications -----	7
Installation -----	7 - 8
Operation -----	8
Maintenance -----	8 - 9
Troubleshooting -----	9 - 10
Parts Breakdown -----	11 - 12
Electrical Schematics -----	13
Notes -----	14
Warranty Registration -----	15

OMCAN IS NOT RESPONSIBLE FOR ANY DAMAGES DUE TO WATER LEAKS. WARRANTY FOR WATER LEAKS IS VOID IF THE AMBIENT ROOM TEMPERATURE EXCEEDS 75°F AND 55% RELATIVE HUMIDITY, AND THE APPLIANCE DRAIN IS NOT CONNECTED DIRECTLY TO A FLOOR DRAIN.

OMCAN N'EST PAS RESPONSABLE DES DOMMAGES DUS AUX FUITES D'EAU. LA GARANTIE POUR LES FUITES D'EAU EST ANNULÉE SI LA TEMPÉRATURE AMBIANTE DE LA PIÈCE DÉPASSE 75°F ET 55% D'HUMIDITÉ RELATIVE, ET SI LE DRAIN DE L'APPAREIL N'EST PAS RACCORDÉ DIRECTEMENT À UN DRAIN DE PLANCHER.

OMCAN NO SE HACE RESPONSABLE DE LOS DAÑOS CAUSADOS POR FUGAS DE AGUA. LA GARANTÍA POR FUGAS DE AGUA QUEDA ANULADA SI LA TEMPERATURA AMBIENTE SUPERA LOS 75°F Y EL 55% DE HUMEDAD RELATIVA, Y EL DESAGÜE DEL APARATO NO ESTÁ CONECTADO DIRECTAMENTE A UN DESAGÜE DE PISO.

General Information

Omcan Manufacturing and Distributing Company Inc., Food Machinery of America, Inc. dba Omcan and Omcan Inc. are not responsible for any harm or injury caused due to any person's improper or negligent use of this equipment. The product shall only be operated by someone over the age of 18, of sound mind, and not under the influence of any drugs or alcohol, who has been trained in the correct operation of this machine, and is wearing authorized, proper safety clothing. Any modification to the machine voids any warranty, and may cause harm to individuals using the machine or in the vicinity of the machine while in operation.

CHECK PACKAGE UPON ARRIVAL

Upon receipt of an Omcan shipment please inspect for external damage. If no damage is evident on the external packaging, open carton to ensure all ordered items are within the box, and there is no concealed damage to the machine. If the package has suffered rough handling, bumps or damage (visible or concealed), please note it on the bill of lading before accepting the delivery and contact Omcan within 24 hours, so we may initiate a claim with the carrier. A detailed report on the extent of the damage caused to the machine must be filled out within three days, from the delivery date shown in the shipping documents. Omcan has no recourse for damaged products that were shipped collect or third party.

Before operating any equipment, always read and familiarize yourself with all operation and safety instructions.

Omcan would like to thank you for purchasing this machine. It's of the utmost importance to save these instructions for future reference. Also save the original box and packaging for shipping the equipment if servicing or returning of the machine is required.

Omcan Fabrication et distribution Compagnie Limité et Food Machinery d'Amérique, dba Omcan et Omcan Inc. ne sont pas responsables de tout dommage ou blessure causé du fait que toute personne ait utilisé cet équipement de façon irrégulière. Le produit ne doit être exploité que par quelqu'un de plus de 18 ans, sain d'esprit, et pas sous l'influence d'une drogue ou d'alcool, qui a été formé pour utiliser cette machine correctement, et est vêtu de vêtements de sécurité appropriés. Toute modification de la machine annule toute garantie, et peut causer un préjudice à des personnes utilisant la machine ou des personnes à proximité de la machine pendant son fonctionnement.

VÉRIFIEZ LE COLIS DÈS RÉCEPTION

Dès réception d'une expédition d'Omcan veuillez inspecter pour dommages externes. Si aucun dommage n'est visible sur l'emballage externe, ouvrez le carton afin de s'assurer que tous les éléments commandés sont dans la boîte, et il n'y a aucun dommage dissimulé à la machine. Si le colis n'a subi aucune mauvaises manipulations, de bosses ou de dommages (visible ou cachée), notez-le sur le bond de livraison avant d'accepter la livraison et contactez Omcan dans les 24 heures qui suivent, pour que nous puissions engager une réclamation auprès du transporteur. Un rapport détaillé sur l'étendue des dommages causés à la machine doit être rempli dans un délai de trois jours, à compter de la date de livraison indiquée dans les documents d'expédition. Omcan n'a aucun droit de recours pour les produits endommagés qui ont été expédiés ou cueillis par un tiers transporteur.

Avant d'utiliser n'importe quel équipement, toujours lire et vous familiariser avec toutes les opérations et les



General Information

consignes de sécurité.

Omcan voudrais vous remercier d'avoir choisi cette machine. Il est primordial de conserver ces instructions pour une référence ultérieure. Également conservez la boîte originale et l'emballage pour l'expédition de l'équipement si l'entretien ou le retour de la machine est nécessaire.

Omcan Empresa De Fabricacion Y Distribucion Inc. Y Maquinaria De Alimentos De America, Inc. dba Omcan y Omcan Inc. no son responsables de ningun daño o perjuicio causado por cualquier persona inadecuada o el uso descuidado de este equipo. El producto solo podra ser operado por una persona mayor de 18 años, en su sano juicio y no bajo alguna influencia de droga o alcohol, y que este ha sido entrenado en el correcto funcionamiento de esta máquina, y ésta usando ropa apropiada y autorizada. Cualquier modificación a la máquina anula la garantía y puede causar daños a las personas usando la máquina mientras esta en el funcionamiento.

REVISE EL PAQUETE A SU LLEGADA

Tras la recepcion de un envio Omcan favor inspeccionar daños externos. Si no hay daños evidentes en el empaque exterior, Habra el carton para asegurarse que todos los articulos solicitados estén dentro de la caja y no encuentre daños ocultos en la máquina. Si el paquete ha sufrido un manejo de poco cuidado, golpes o daños (visible o oculto) por favor anote en la factura antes de aceptar la entrega y contacte Omcan dentro de las 24 horas, de modo que podamos iniciar una reclamación con la compañía. Un informe detallado sobre los daños causados a la máquina debe ser llenado en el plazo de tres días, desde la fecha de entrega que se muestra en los documentos de envío. Omcan no tiene ningun recurso por productos dañados que se enviaron a recoger por terceros.

Antes de utilizar cualquier equipo, siempre lea y familiarizarse con todas las instrucciones de funcionamiento y seguridad.

Omcan le gustaría darle las gracias por la compra de esta máquina. Es de la mayor importancia para salvar estas instrucciones para futuras consultas. Además, guarda la caja original y el embalaje para el envío del equipo si servicio técnico o devolución de la máquina que se requiere.

Safety and Warranty

RESIDENTIAL USERS: vendor assumes no liability for parts or labor coverage for component failure or other damages resulting from installation in non-commercial or residential applications. The right is reserved to deny shipment for residential usage; if this occurs, you will be notified as soon as possible.

1 YEAR PARTS AND LABOUR WARRANTY

Within the warranty period, contact Omcan Inc. at 1-800-465-0234 to schedule an Omcan authorized service technician to repair the equipment locally.

Safety and Warranty

Unauthorized maintenance will void the warranty. Warranty covers electrical and part failures, not improper use.

Please see <https://omcan.com/disclaimer> for complete info.

WARNING:

The packaging components are classified as normal solid urban waste and can therefore be disposed of without difficulty.

In any case, for suitable recycling, we suggest disposing of the products separately (differentiated waste) according to the current norms.

DO NOT DISCARD ANY PACKAGING MATERIALS IN THE ENVIRONMENT!

Technical Specifications

Model	BB-CN-350S
Item Number	48579
Capacity	320 L / 11.3 cu.ft.
Door Type	Sliding
Number of Doors	3
Number of Shelves	6
Exterior Material	Pre-Painted Steel
Interior Material	Embossed Aluminum
Electrical	110-120V / 60Hz / 1
Current	2A
Power	186 W
Cooling System	Fan Cooling
Temperature	0 - 7°C / 32 - 44.6°F
Max Ambient Temp Rating	24°C / 75°F
Interior Light	LED Light
Refrigerant	R600a (70g)
Dimensions	53.1" x 20.5" x 35.4" / 1350 x 520 x 900mm
Weight	154.3 lbs. / 70 kgs.
Packaging Dimensions	57" x 23" x 42" / 1448 x 584 x 1067mm
Packaging Weight	187 lbs. / 84.8 kgs.

Installation

Store the unit upright. If the unit has been stored or transported on its back, front or sides then it must be placed upright for at least an hour before switching on. Place the unit on a flat and stable surface as far away from heat sources as possible.

Note: do not move the unit by lifting either the door or door handle as this may cause damage to the cabinet.

Please ensure the correct aperture size is made available for this unit: the correct aperture size should give a gap of approximately 1.18" / 30mm between the top of the cabinet and the underside of the back bar and between the back of the unit and the wall. Poor ventilation due to insufficient aperture size is likely to cause:

Installation

reduced cooling, icing up, or premature compressor failure.

SPACE REQUIRED

All dimensions exclude the door handle.

Height: 54.3" / 1380mm

Width: 26" / 660mm

Depth: 21.3" / 542mm

Operation

GENERAL OPERATION

The cabinet door should remain firmly closed during normal operation. This prevents warm moist air entering and creating frost within the cabinet. If the cabinet is left open for extended periods, ice will form. This will prevent cooling and the machine will then require defrosting.

The unit should be left switched on, and should not be switched off between trading sessions. The cabinet is designed to chill product in sealed containers only (bottles, cans, etc.) It is not recommended that glasses of drink or similar are placed in the unit for cooling.

CONTROLS

The thermostat control is located below the doors on the front of the appliance. Refrigeration is switched on and off at the main supply. The light is controlled independently by using the toggle switch provided at the front of the unit.

Warning: if the supply cord is damaged, the manufacturer, its service agent or similarly qualified persons must replace it in order to avoid a hazard.

Maintenance

Disconnect from the power supply before cleaning or maintenance.

ROUTINE MAINTENANCE

- Clean the enclosure and interior of the cabinet as often as possible.
- Clean the unit with a damp cloth. Never allow the switch, control panel, cable of plug to get wet.
- Do not use abrasive cleaning agents. These can leave harmful residues.

Maintenance

- Use only mild soapy water.
- Clean the door seal with water only.
- Ensure that no water penetrates into the electrical components.
- Do not clean with a water jet.
- Always wipe dry after cleaning with a soft cloth.
- Take care when cleaning the rear of the cabinet.
- A qualified technician must carry out repairs if required.
- If the cabinet is to be left inactive for long periods, unplug the cabinet after turning the lamp switch to the off position, empty the unit and clean thoroughly.

PERIODIC MAINTENANCE

The below instructions are for qualified technicians.

- Periodically clean the condenser using suitable tools (vacuum cleaner or soft brush).
- Check that the electrical connections are not loose.
- Check that the thermostat and the sensor are in proper working order.
- Periodically cleaning the condenser can extend the life of the appliance.
- Failure to keep the condenser clean will reduce the refrigeration performance of the cabinet.

Troubleshooting

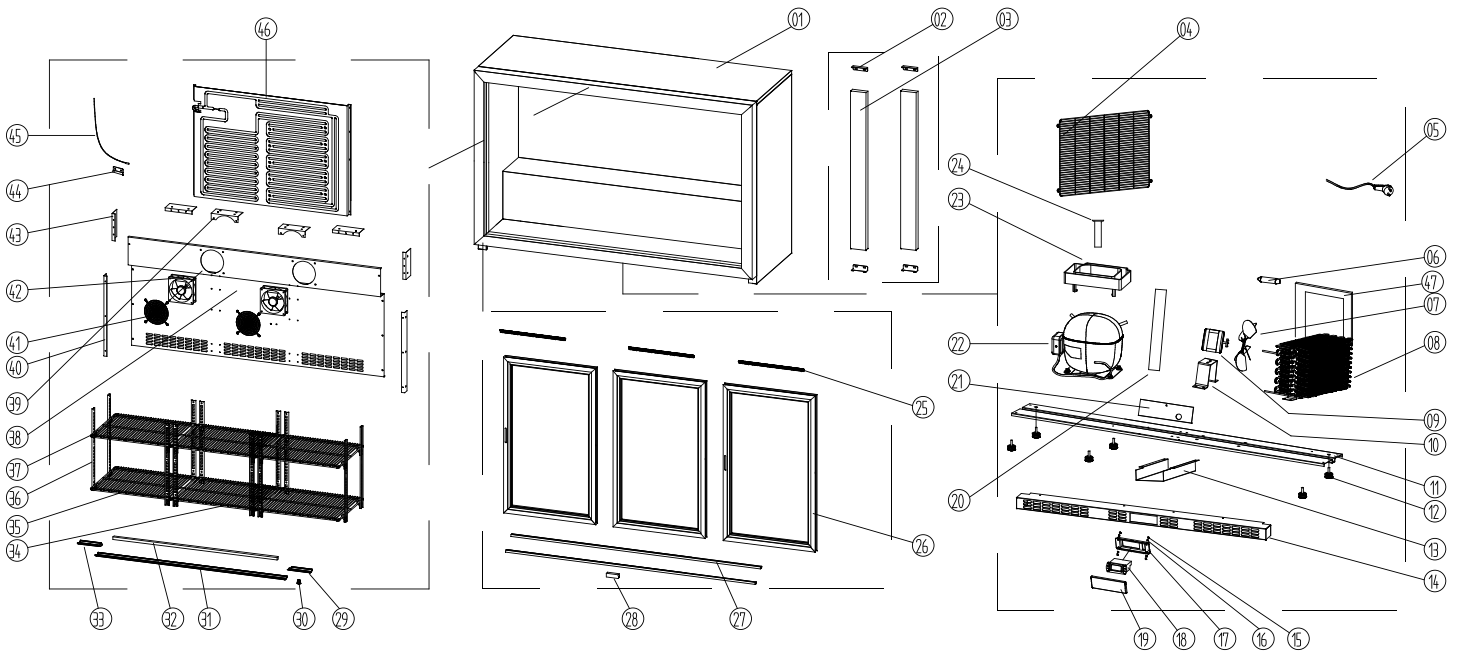
Fault	Probable Cause	Solution
The appliance is not working.	The appliance is not switched on.	Ensure the appliance is plugged in correctly.
	Plug and lead are damaged.	Call Omcan.
	Fuse in the plug has blown.	Replace the fuse.
	Power supply.	Check the power supply.
	Internal wiring fault.	Call Omcan.

Troubleshooting

The appliance turns on, but the temperature is too high/low.	Too much ice on the evaporator.	Defrost the appliance.
	Condenser blocked with dust.	Call Omcan.
	Doors are not properly closing.	Ensure the doors are shut and the seals are not damaged.
	The appliance is located near a heat source or air flow to the condenser is being interrupted.	Move the appliance to a more suitable location.
	Ambient temperature is too high.	Increase ventilation or move the appliance to a more suitable location.
	The appliance is overloaded.	Reduce the amount of product in the appliance.
The appliance is unusually loud.	Loose nut/screw.	Check and tighten all nuts and screws.
	The appliance has not been installed in a level or stable location.	Check installation position and change if necessary.
The appliance is leaking water.	The appliance is not properly leveled.	Adjust the screw feet to level the appliance.
	The discharge outlet is blocked.	Clear the discharge outlet.
	The water container is damaged.	Call Omcan.

Parts Breakdown

Model BB-CN-350S 48579



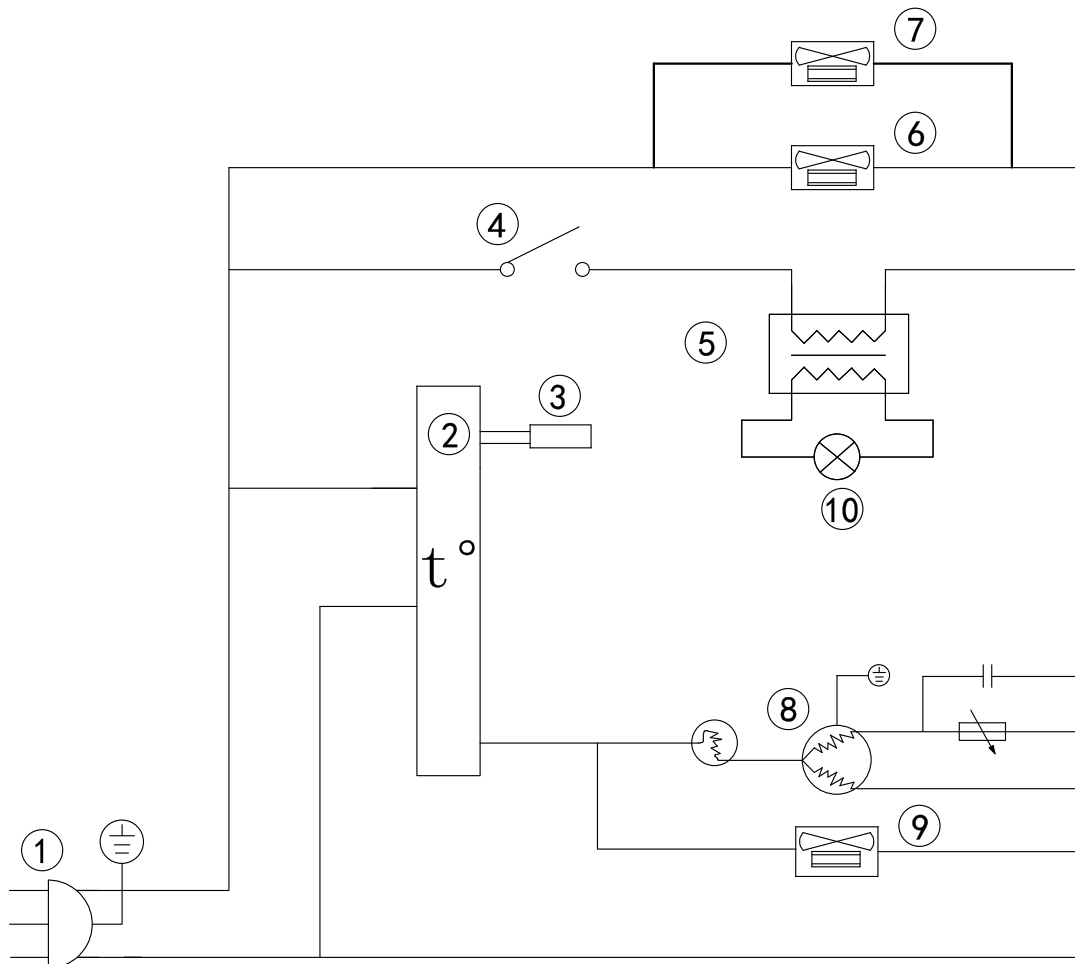
Parts Breakdown

Model BB-CN-350S 48579

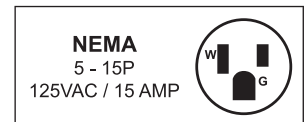
Item No.	Description	Position	Item No.	Description	Position	Item No.	Description	Position
AN993	Foaming Cabinet for 48579	1	AO002	Support for 48579	20	AM597	Right Cover of Lamp for 48579	33
AM567	Part for Fixing Center Sill for 48579	2	AM584	Air Flow Circuit Board A for 48579	21	A0012	Shelf - Middle for 48579	34
AM568	Center Sill for 48579	3	A0003	Compressor Wanbao for 48579	22	A0013	Shelf - Left & Right for 48579	35
AN994	Grill for 48579	4	AM586	Drain Pan for 48579	23	AM599	Shelf Support Strip for 48579	36
AN995	Power Cord for 48579	5	AM587	Drain Pipe for 48579	24	A0014	Shelf Support Strip for 48579	36
AN996	Dry Filter for 48579	6	AM588	Spring for Sliding Door for 48579	25	AM600	Shelf Clip for 48579	37
AF232	Condenser Fan Blade for 48579	7	A0004	Glass Door - Left for 48579	26	A0015	Evaporator Cover for 48579	38
AN997	Condenser for 48579	8	A0005	Glass Door - Middle for 48579	26	AM602	Evaporator Fan Support for 48579	39
AN998	Condenser Fan for 48579	9	A0006	Glass Door - Right for 48579	26	AM603	Support - Long for 48579	40
AM573	Condenser Fan Support for 48579	10	A0007	Sliding Door Guide 838mm for 48579	27	AM604	Evaporator Fan Cover for 48579	41
AN999	Installation Board of Compressor Set for 48579	11	AM591	Sliding Door Guide 1288mm for 48579	27	A0016	Evaporator Fan for 48579	42
AM575	Adjustable Feet for 48579	12	AM592	Door Bumper for 48579	28	AM606	Support - Short for 48579	43
AM576	Thermostat Protecting Box for 48579	13	AM593	Left Cover of Lamp for 48579	29	AF226	Probe Padding for 48579	44
AO000	Front Bottom Cover for 48579	14	A0018	Driver of LED Lamp for 48579	29	AM607	Sensor for 48579	45
AM578	Thermostat Clip Block for 48579	15	AM594	Switch of Lamp for 48579	30	A0017	Evaporator for 48579	46
AM579	Thermostat Clip for 48579	16	A0008	Lamp Cover for 48579	31	AM601	Air Flow Circuit Board B for 48579	47
AM580	Box of Thermostat for 48579	17	A0009	Lamp Cover for 48579	31	AT452	Door Wheel for 48579	
AO001	Thermostat Carel for 48579	18	A0010	LED Lamp for 48579	32			
AM582	Waterproof Cover of Thermostat for 48579	19	A0011	LED Lamp for 48579	32			

Electrical Schematics

Model BB-CN-350S 48579



- 1.Power Plug
- 2.Temp.controller
- 3.REF.Sensor
- 4.Light switch
- 5.LED Power
- 6.Evaporator Fan
- 7.Evaporator Fan
- 8.Compressor
- 9.Condenser Fan
- 10.LED





Warranty Registration

Thank you for purchasing an Omcan product. To register your warranty for this product, complete the information below, tear off the card at the perforation and then send to the address specified below. You can also register online by visiting:

Merci d'avoir acheté un produit Omcan. Pour enregistrer votre garantie pour ce produit, complétez les informations ci-dessous, détachez la carte au niveau de la perforation, puis l'envoyer à l'adresse spécifiée ci-dessous. Vous pouvez également vous inscrire en ligne en visitant:

Gracias por comprar un producto Omcan usted. Para registrar su garantía para este producto, complete la información a continuación, cortar la tarjeta en la perforación y luego enviarlo a la dirección indicada a continuación. También puede registrarse en línea en:

<https://omcan.com/warranty-registration/>

For mailing in Canada

Pour postale au Canada

Por correo en Canadá

For mailing in the US

Pour diffusion aux États-Unis

Por correo en los EE.UU.

OMCAN

PRODUCT WARRANTY REGISTRATION

3115 Pepper Mill Court,
Mississauga, Ontario
Canada, L5L 4X5

OMCAN

PRODUCT WARRANTY REGISTRATION

4450 Witmer Industrial Estates, Unit 4,
Niagara Falls, New York
USA, 14305

or email to: service@omcan.com



Purchaser's Information

Name: _____

Address: _____

City: _____ Province or State: _____ Postal or Zip: _____

Country: _____

Dealer from which Purchased: _____

Dealer City: _____ Dealer Province or State: _____

Invoice: _____

Company Name: _____

Telephone: _____

Email Address: _____

Type of Company:

Restaurant Bakery Deli

Butcher Supermarket Caterer

Institution (*specify*): _____

Other (*specify*): _____

Model Name: _____ Model Number: _____

Serial Number: _____

Machine Description: _____

Date of Purchase (MM/DD/YYYY): _____

Date of Installation (MM/DD/YYYY): _____

Would you like to extend the warranty? Yes No

Thank you for choosing Omcan | Merci d'avoir choisi Omcan | Gracias por elegir Omcan



Since 1951 Omcan has grown to become a leading distributor of equipment and supplies to the North American food service industry. Our success over these many years can be attributed to our commitment to strengthen and develop new and existing relationships with our valued customers and manufacturers. Today with partners in North America, Europe, Asia and South America, we continually work to improve and grow the company. We strive to offer customers exceptional value through our qualified local sales and service representatives who provide convenient access to over 6,500 globally sourced products.

Depuis 1951 Omcan a grandi pour devenir un des "leaders" de la distribution des équipements et matériel pour l'industrie des services alimentaires en Amérique du Nord. Notre succès au cours de ces nombreuses années peut être attribué à notre engagement à renforcer et à développer de nouvelles et existantes relations avec nos clients et les fabricants de valeur. Aujourd'hui avec des partenaires en Amérique du Nord, Europe, Asie et Amérique du Sud, nous travaillons continuellement à améliorer et développer l'entreprise. Nous nous efforçons d'offrir à nos clients une valeur exceptionnelle grâce à nos ventes locales qualifiées et des représentants de service qui offrent un accès facile à plus de 6500 produits provenant du monde entier.

Desde 1951 Omcan ha crecido hasta convertirse en un líder en la distribución de equipos y suministros de alimentos en América del Norte industria de servicios. Nuestro éxito en estos años se puede atribuir a nuestro compromiso de fortalecer y desarrollar nuevas relaciones existentes con nuestros valiosos clientes y fabricantes. Hoy con socios de América del Norte, Europa, Asia y América del Sur, que trabajan continuamente para mejorar y crecer la empresa. Nos esforzamos por ofrecer a nuestros clientes valor excepcional a través de nuestro local de ventas y representantes de los servicios que proporcionan un fácil acceso a más de 6,500 productos con origen a nivel mundial.

