



Drink Mixer

Model BL-CN-0750-B

Item 48889

Instruction Manual



Revised - 12/30/2024



Intertek

Toll Free: 1-800-465-0234
Fax: 905-607-0234
Email: service@omcan.com
www.omcan.com



Table of Contents

Model BL-CN-0750-B

Section	Page
General Information -----	3 - 4
Safety and Warranty -----	4 - 6
Technical Specifications -----	6
Operation -----	6
Maintenance -----	6 - 7
Troubleshooting -----	7
Parts Breakdown -----	8 - 9
Electrical Schematics -----	10
Warranty Registration -----	11



General Information

Omcan Manufacturing and Distributing Company Inc., Food Machinery of America, Inc. dba Omcan and Omcan Inc. are not responsible for any harm or injury caused due to any person's improper or negligent use of this equipment. The product shall only be operated by someone over the age of 18, of sound mind, and not under the influence of any drugs or alcohol, who has been trained in the correct operation of this machine, and is wearing authorized, proper safety clothing. Any modification to the machine voids any warranty, and may cause harm to individuals using the machine or in the vicinity of the machine while in operation.

CHECK PACKAGE UPON ARRIVAL

Upon receipt of an Omcan shipment please inspect for external damage. If no damage is evident on the external packaging, open carton to ensure all ordered items are within the box, and there is no concealed damage to the machine. If the package has suffered rough handling, bumps or damage (visible or concealed), please note it on the bill of lading before accepting the delivery and contact Omcan within 24 hours, so we may initiate a claim with the carrier. A detailed report on the extent of the damage caused to the machine must be filled out within three days, from the delivery date shown in the shipping documents. Omcan has no recourse for damaged products that were shipped collect or third party.

Before operating any equipment, always read and familiarize yourself with all operation and safety instructions.

Omcan would like to thank you for purchasing this machine. It's of the utmost importance to save these instructions for future reference. Also save the original box and packaging for shipping the equipment if servicing or returning of the machine is required.

Omcan Fabrication et distribution Compagnie Limité et Food Machinery d'Amérique, dba Omcan et Omcan Inc. ne sont pas responsables de tout dommage ou blessure causé du fait que toute personne ait utilisé cet équipement de façon irrégulière. Le produit ne doit être exploité que par quelqu'un de plus de 18 ans, sain d'esprit, et pas sous l'influence d'une drogue ou d'alcool, qui a été formé pour utiliser cette machine correctement, et est vêtu de vêtements de sécurité appropriés. Toute modification de la machine annule toute garantie, et peut causer un préjudice à des personnes utilisant la machine ou des personnes à proximité de la machine pendant son fonctionnement.

VÉRIFIEZ LE COLIS DÈS RÉCEPTION

Dès réception d'une expédition d'Omcan veuillez inspecter pour dommages externes. Si aucun dommage n'est visible sur l'emballage externe, ouvrez le carton afin de s'assurer que tous les éléments commandés sont dans la boîte, et il n'y a aucun dommage dissimulé à la machine. Si le colis n'a subi aucune mauvaises manipulations, de bosses ou de dommages (visible ou cachée), notez-le sur le bond de livraison avant d'accepter la livraison et contactez Omcan dans les 24 heures qui suivent, pour que nous puissions engager une réclamation auprès du transporteur. Un rapport détaillé sur l'étendue des dommages causés à la machine doit être rempli dans un délai de trois jours, à compter de la date de livraison indiquée dans les documents d'expédition. Omcan n'a aucun droit de recours pour les produits endommagés qui ont été expédiés ou cueillis par un tiers transporteur.

Avant d'utiliser n'importe quel équipement, toujours lire et vous familiariser avec toutes les opérations et les

General Information

consignes de sécurité.

Omcan voudrais vous remercier d'avoir choisi cette machine. Il est primordial de conserver ces instructions pour une référence ultérieure. Également conservez la boîte originale et l'emballage pour l'expédition de l'équipement si l'entretien ou le retour de la machine est nécessaire.

Omcan Empresa De Fabricacion Y Distribucion Inc. Y Maquinaria De Alimentos De America, Inc. dba Omcan y Omcan Inc. no son responsables de ningun daño o perjuicio causado por cualquier persona inadecuada o el uso descuidado de este equipo. El producto solo podra ser operado por una persona mayor de 18 años, en su sano juicio y no bajo alguna influencia de droga o alcohol, y que este ha sido entrenado en el correcto funcionamiento de esta máquina, y ésta usando ropa apropiada y autorizada. Cualquier modificación a la máquina anula la garantía y puede causar daños a las personas usando la máquina mientras esta en el funcionamiento.

REVISE EL PAQUETE A SU LLEGADA

Tras la recepcion de un envio Omcan favor inspeccionar daños externos. Si no hay daños evidentes en el empaque exterior, Habra el carton para asegurarse que todos los articulos solicitados estén dentro de la caja y no encuentre daños ocultos en la máquina. Si el paquete ha sufrido un manejo de poco cuidado, golpes o daños (visible o oculto) por favor anote en la factura antes de aceptar la entrega y contacte Omcan dentro de las 24 horas, de modo que podamos iniciar una reclamación con la compañía. Un informe detallado sobre los daños causados a la máquina debe ser llenado en el plazo de tres días, desde la fecha de entrega que se muestra en los documentos de envío. Omcan no tiene ningun recurso por productos dañados que se enviaron a recoger por terceros.

Antes de utilizar cualquier equipo, siempre lea y familiarizarse con todas las instrucciones de funcionamiento y seguridad.

Omcan le gustaría darle las gracias por la compra de esta máquina. Es de la mayor importancia para salvar estas instrucciones para futuras consultas. Además, guarda la caja original y el embalaje para el envío del equipo si servicio técnico o devolución de la máquina que se requiere.

Safety and Warranty

IMPORTANT SAFEGUARDS

1. Read the instructions carefully.
2. To protect against risk of electrical shock, do not put the appliance in water or other liquid.
3. Adult supervision is quite necessary when the appliance is used by or near children.
4. Unplug the power cord from the wall outlet when the appliance is not in use (before putting on or taking off parts) and before cleaning other than washing the container.
5. Never touch moving parts.



Safety and Warranty

6. Do not operate any appliance with a damaged cord or plug or after the appliance malfunctions or is dropped or damaged in any manner. Call service at once for possible replacement, test and repair, electrical or mechanical adjustment.
7. Do not use outdoors.
8. Do not let the power cord hang over the edge of a table or counter, or get in contact with hot surfaces.
9. Keep hands and utensils out of the container during operation to prevent the possibility of severe personal injury and/or damage to the blender. A rubber scraper may be used, but only when the blender is not running.
10. Please take off the cup after you make sure the blending blade is stopped entirely.

IMPORTANT: never operate any appliance with a damaged cord or plug or after the appliance malfunctions or is dropped or damaged in any way. Call repair service or professional at once for possible replacement, testing and repair, electrical or mechanical adjustment.

ATTENTION

- Never place any metallic materials inside the cup, such as: knives, forks, spoons, etc.
- Please make sure to power off first before taking out the cup for cleaning in order to prevent danger.
- Never use this device for cutting something in pieces or blending any solid food insoluble in water.
- Please make sure the container is safely connected and fixed with the machine first before starting operation.
- During operation because of the high speed of motor, make sure to hold the top cover with your hand.
- During operation, please put correct materials in the cup to prevent from overflow while blending.
- When you would like to pour out the food, please turn off the power source firstly, and take off the cup when the motor is NOT running.
- Please pay attention all the time not to touch the Switch carelessly before or after the unit's operation.

RESIDENTIAL USERS: vendor assumes no liability for parts or labor coverage for component failure or other damages resulting from installation in non-commercial or residential applications. The right is reserved to deny shipment for residential usage; if this occurs, you will be notified as soon as possible.

1 YEAR PARTS AND LABOUR BENCH WARRANTY

Within the warranty period, contact Omcan Inc. at 1-800-465-0234 to schedule a drop off to either an Omcan authorized service depot in the area, or to an Omcan Service warehouse to repair the equipment.

Unauthorized maintenance will void the warranty. Warranty covers electrical and part failures, not improper use.

Please see <https://omcan.com/disclaimer> for complete info.

WARNING:

The packaging components (cardboard, polyethylene, and others) are classified as normal solid urban waste and can therefore be disposed of without difficulty.

Safety and Warranty

In any case, for suitable recycling, we suggest disposing of the products separately (differentiated waste) according to the current norms.

DO NOT DISCARD ANY PACKAGING MATERIALS IN THE ENVIRONMENT!

Technical Specifications

Model	BL-CN-0750-B
Item Number	48889
Color	Black
Volume	0.75 - 0.95 L / 0.8 - 1 QT
Power	400 W
Electrical	110-120V / 60Hz / 1
RPM	15000 - 19000 RPM
Net Dimensions	6.7" x 7.7" x 19.3" / 170 x 196 x 490mm
Net Weight	10.6 lbs. / 4.8 kgs.

Operation

OPERATION INSTRUCTION

1. Add some materials: water, sugar and pure milk (powder milk).
2. Put the blend cup on the bracket of the blender (milk shake machine) after putting ingredients inside the cup.
3. Connect the electric power source, turn on the switch.
4. The mix is fine blended after about 5 seconds.

Attention: when putting in ingredients, please have the proper capacity of water.

Maintenance

When maintaining or cleaning, please make sure the outlet is unplugged, and the switch is set to the "off"

Maintenance

position. Please clean the cup using non abrasive materials like a sponge or cloth carefully and dry. Please clean the motor base and bearing by dry cloth (NEVER use water). In case you have to wipe please do it after cleaning by using a neutral lotion.

Troubleshooting

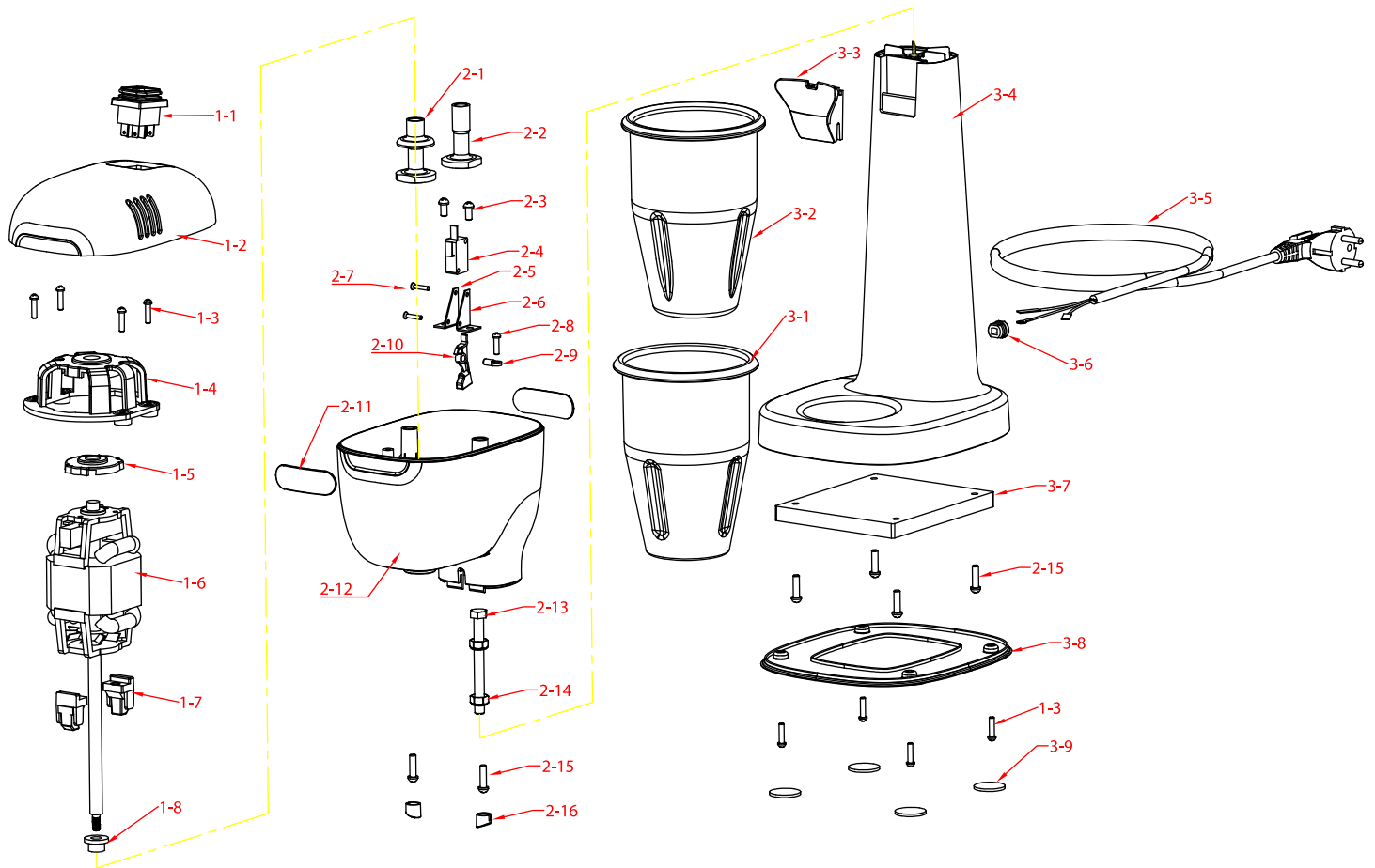
When the unit is non-operational please check:

1. Whether the outlet is unplugged?
2. Whether the fuse or automatic switch has tripped?
3. Whether the unit is powered off?

If the unit is still non operational, please contact Omcan at 1-800-465-0234 and do not attempt to repair by yourself.

Parts Breakdown

Model BL-CN-0750-B 48889



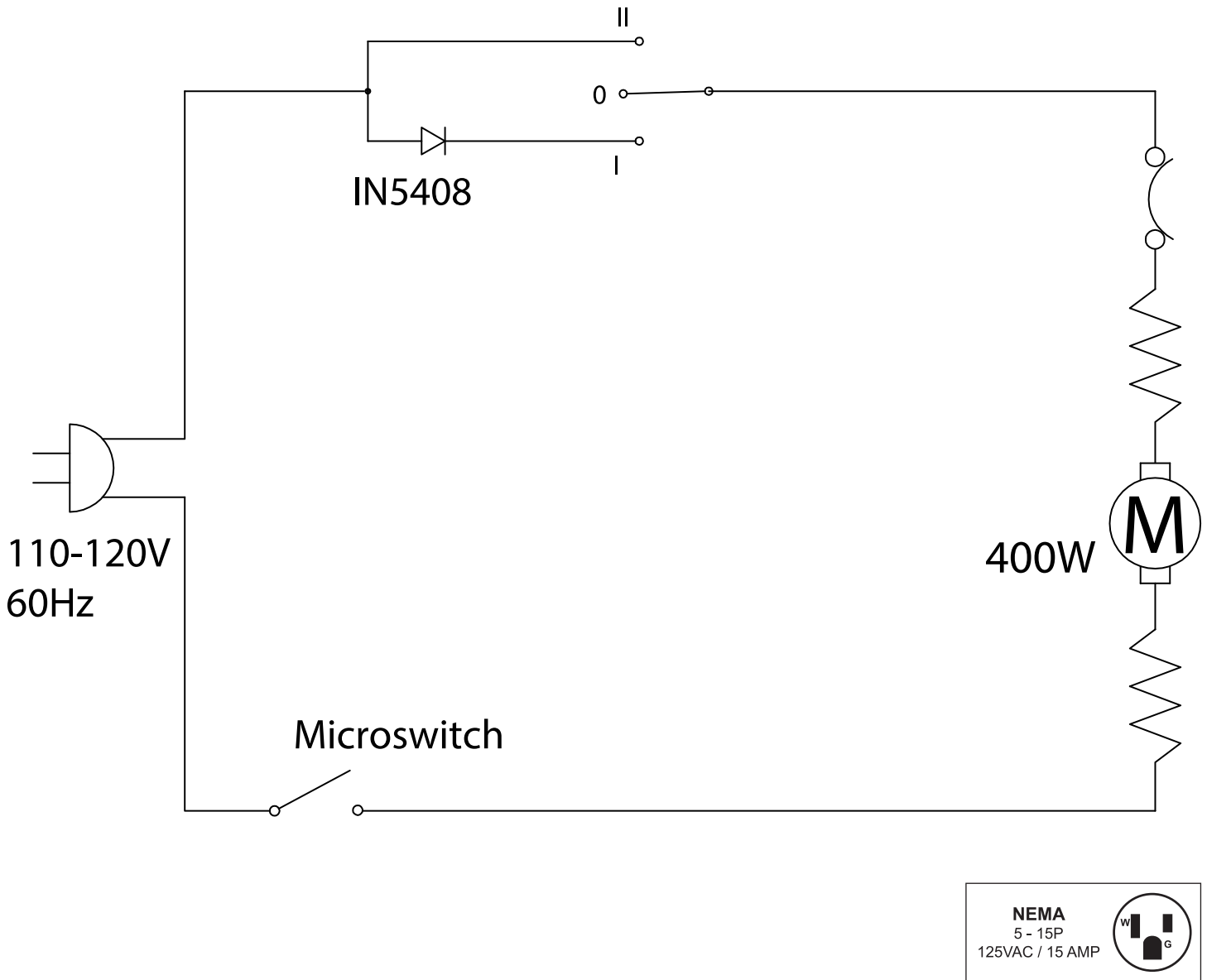
Parts Breakdown

Model BL-CN-0750-B 48889

Item No.	Description	Position	Item No.	Description	Position	Item No.	Description	Position
AR765	Switch for 48889	1-1	AR776	Micro Switch for 48889	2-4	AR787	Screw 5x18 for 48889	2-15
AR766	Housing Cover for 48889	1-2	AR777	Holder L for 48889	2-5	AR788	Cover for Hole for 48889	2-16
AR767	Screw 4x16 for 48889	1-3	AR778	Holder R for 48889	2-6	AR789	Cup (304) for 48889	3-1
AR768	Motor Cover for 48889	1-4	AR779	Screw M3x14 for 48889	2-7	AR790	Cup PC for 48889	3-2
AR769	Rubber Pad for 48889	1-5	AR780	Screw 4x14 for 48889	2-8	AR791	Holder for Cup for 48889	3-3
AR770	Motor for 48889	1-6	AR781	Shaft Driver for 48889	2-9	AR792	Seat for 48889	3-4
AR771	Motor Foot for 48889	1-7	AR782	Driver for 48889	2-10	AR793	Power Cord for 48889	3-5
AR772	Rubber Protector for 48889	1-8	AR783	Logo for 48889	2-11	AR794	Holder for Cord for 48889	3-6
AR773	Mixer A for 48889	2-1	AR784	Motor Housing for 48889	2-12	AR795	Counterweight for 48889	3-7
AR774	Mixer B for 48889	2-2	AR785	Bolt M8x80 for 48889	2-13	AR796	Bottom Cover for 48889	3-8
AR775	Screw 5x10 for 48889	2-3	AR786	Nut M8 for 48889	2-14	AR797	Underlay for 48889	3-9

Electrical Schematics

Model **BL-CN-0750-B** 48889





Warranty Registration

Thank you for purchasing an Omcan product. To register your warranty for this product, complete the information below, tear off the card at the perforation and then send to the address specified below. You can also register online by visiting:

Merci d'avoir acheté un produit Omcan. Pour enregistrer votre garantie pour ce produit, complétez les informations ci-dessous, détachez la carte au niveau de la perforation, puis l'envoyer à l'adresse spécifiée ci-dessous. Vous pouvez également vous inscrire en ligne en visitant:

Gracias por comprar un producto Omcan usted. Para registrar su garantía para este producto, complete la información a continuación, cortar la tarjeta en la perforación y luego enviarlo a la dirección indicada a continuación. También puede registrarse en línea en:

<https://omcan.com/warranty-registration/>

For mailing in Canada

Pour postale au Canada

Por correo en Canadá

OMCAN

PRODUCT WARRANTY REGISTRATION

3115 Pepper Mill Court,
Mississauga, Ontario
Canada, L5L 4X5

For mailing in the US

Pour diffusion aux États-Unis

Por correo en los EE.UU.

OMCAN

PRODUCT WARRANTY REGISTRATION

4450 Witmer Industrial Estates, Unit 4,
Niagara Falls, New York
USA, 14305

or email to: service@omcan.com



Purchaser's Information

Name: _____

Address: _____

City: _____ Province or State: _____ Postal or Zip: _____

Country: _____

Dealer from which Purchased: _____

Dealer City: _____ Dealer Province or State: _____

Invoice: _____

Model Name: _____ Model Number: _____

Machine Description: _____

Date of Purchase (MM/DD/YYYY): _____

Would you like to extend the warranty? Yes No

Company Name: _____

Telephone: _____

Email Address: _____

Type of Company:

Restaurant Bakery Deli

Butcher Supermarket Caterer

Institution (specify): _____

Other (specify): _____

Serial Number: _____

Date of Installation (MM/DD/YYYY): _____

Thank you for choosing Omcan | Merci d'avoir choisi Omcan | Gracias por elegir Omcan



Since 1951 Omcan has grown to become a leading distributor of equipment and supplies to the North American food service industry. Our success over these many years can be attributed to our commitment to strengthen and develop new and existing relationships with our valued customers and manufacturers. Today with partners in North America, Europe, Asia and South America, we continually work to improve and grow the company. We strive to offer customers exceptional value through our qualified local sales and service representatives who provide convenient access to over 6,500 globally sourced products.

Depuis 1951 Omcan a grandi pour devenir un des "leaders" de la distribution des équipements et matériel pour l'industrie des services alimentaires en Amérique du Nord. Notre succès au cours de ces nombreuses années peut être attribué à notre engagement à renforcer et à développer de nouvelles et existantes relations avec nos clients et les fabricants de valeur. Aujourd'hui avec des partenaires en Amérique du Nord, Europe, Asie et Amérique du Sud, nous travaillons continuellement à améliorer et développer l'entreprise. Nous nous efforçons d'offrir à nos clients une valeur exceptionnelle grâce à nos ventes locales qualifiées et des représentants de service qui offrent un accès facile à plus de 6500 produits provenant du monde entier.

Desde 1951 Omcan ha crecido hasta convertirse en un líder en la distribución de equipos y suministros de alimentos en América del Norte industria de servicios. Nuestro éxito en estos años se puede atribuir a nuestro compromiso de fortalecer y desarrollar nuevas relaciones existentes con nuestros valiosos clientes y fabricantes. Hoy con socios de América del Norte, Europa, Asia y América del Sur, que trabajan continuamente para mejorar y crecer la empresa. Nos esforzamos por ofrecer a nuestros clientes valor excepcional a través de nuestro local de ventas y representantes de los servicios que proporcionan un fácil acceso a más de 6,500 productos con origen a nivel mundial.

