



## Glass Door Merchandisers

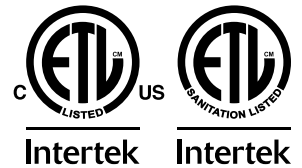
Models RE-CN-0045-HC, 0009-HC, 0014-H, 0023-HC, 0023-H, 0052-HC,  
FR-CN-0012-HC, 0790-HC, 1250-HC, 1250-C, 0045-HC

Items 50032, 50033, 50035, 50036, 50037, 50052, 50029, 50030, 50031, 38025, 50075

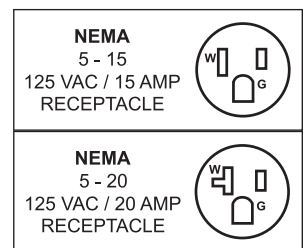
## Instruction Manual



Revised - 09/01/2020



Toll Free: 1-800-465-0234  
Fax: 905-607-0234  
Email: [service@omcan.com](mailto:service@omcan.com)  
[www.omcan.com](http://www.omcan.com)



# Table of Contents

Model RE-CN-0045-HC / Model RE-CN-0009-HC / Model RE-CN-0014-H  
Model RE-CN-0023-HC / Model RE-CN-0023-H / Model RE-CN-0052-HC  
Model FR-CN-0790-HC / Model FR-CN-1250-HC / Model FR-CN-1250-C  
FR-CN-0045-HC

---

<b>Section</b>	<b>Page</b>
Disclaimer -----	3
General Information -----	4 - 5
Safety and Warranty -----	5 - 6
Technical Specifications -----	7 - 8
Installation -----	9
Maintenance -----	9
Troubleshooting -----	10
Controller Instructions -----	11 - 16
Parts Breakdown -----	17 - 36
Electrical Schematics -----	37 - 41
Notes -----	42
Warranty Registration -----	43

***OMCAN IS NOT RESPONSIBLE FOR ANY DAMAGES DUE TO WATER LEAKS. WARRANTY FOR WATER LEAKS IS VOID IF THE WICKING PAD IS NOT REPLACED EVERY SIX MONTHS, AND IF THE AMBIENT ROOM TEMPERATURE EXCEEDS 75°F AND 55% RELATIVE HUMIDITY, AND THE APPLIANCE DRAIN IS NOT CONNECTED DIRECTLY TO THE FLOOR DRAIN.***

# ***General Information***

---

**Omcan Manufacturing and Distributing Company Inc., Food Machinery of America, Inc. dba Omcan and Omcan Inc. are not responsible for any harm or injury caused due to any person's improper or negligent use of this equipment. The product shall only be operated by someone over the age of 18, of sound mind, and not under the influence of any drugs or alcohol, who has been trained in the correct operation of this machine, and is wearing authorized, proper safety clothing. Any modification to the machine voids any warranty, and may cause harm to individuals using the machine or in the vicinity of the machine while in operation.**

## **CHECK PACKAGE UPON ARRIVAL**

Upon receipt of an Omcan shipment please inspect for external damage. If no damage is evident on the external packaging, open carton to ensure all ordered items are within the box, and there is no concealed damage to the machine. If the package has suffered rough handling, bumps or damage (visible or concealed), please note it on the bill of lading before accepting the delivery and contact Omcan within 24 hours, so we may initiate a claim with the carrier. A detailed report on the extent of the damage caused to the machine must be filled out within three days, from the delivery date shown in the shipping documents. Omcan has no recourse for damaged products that were shipped collect or third party.

**Before operating any equipment, always read and familiarize yourself with all operation and safety instructions.**

**Omcan would like to thank you for purchasing this machine. It's of the utmost importance to save these instructions for future reference. Also save the original box and packaging for shipping the equipment if servicing or returning of the machine is required.**

---

**Omcan Fabrication et distribution Compañie Limité et Food Machinery d'Amérique, dba Omcan et Omcan Inc. ne sont pas responsables de tout dommage ou blessure causé du fait que toute personne ait utilisé cet équipement de façon irrégulière. Le produit ne doit être exploité que par quelqu'un de plus de 18 ans, saine d'esprit, et pas sous l'influence d'une drogue ou d'alcool, qui a été formé pour utiliser cette machine correctement, et est vêtu de vêtements de sécurité approprié. Toute modification de la machine annule toute garantie, et peut causer un préjudice à des personnes utilisant la machine ou des personnes à proximité de la machine pendant son fonctionnement.**

## **VÉRIFIEZ LE COLIS DÈS RÉCEPTION**

Dès réception d'une expédition d'Omcan veuillez inspecter pour dommages externes. Si aucun dommage n'est visible sur l'emballage externe, ouvrez le carton afin de s'assurer que tous les éléments commandés sont dans la boîte, et il n'y a aucun dommage dissimulé à la machine. Si le colis n'a subi aucune mauvaises manipulations, de bosses ou de dommages (visible ou cachée), notez-le sur le bond de livraison avant d'accepter la livraison et contactez Omcan dans les 24 heures qui suivent, pour que nous puissions engager une réclamation auprès du transporteur. Un rapport détaillé sur l'étendue des dommages causés à la machine doit être rempli dans un délai de trois jours, à compter de la date de livraison indiquée dans les documents d'expédition. Omcan n'a aucun droit de recours pour les produits endommagés qui ont été expédiés ou cueilli par un tiers transporteur.



# General Information

---

Avant d'utiliser n'importe quel équipement, toujours lire et vous familiariser avec toutes les opérations et les consignes de sécurité.

Omcan voudrais vous remercier d'avoir choisi cette machine. Il est primordial de conserver ces instructions pour une référence ultérieure. Également conservez la boîte originale et l'emballage pour l'expédition de l'équipement si l'entretien ou le retour de la machine est nécessaire.

---

Omcan Empresa De Fabricacion Y Distribucion Inc. Y Maquinaria De Alimentos De America, Inc. dba Omcan y Omcan Inc. no son responsables de ningun daño o perjuicio causado por cualquier persona inadecuada o el uso descuidado de este equipo. El producto solo podra ser operado por una persona mayor de 18 años, en su sano juicio y no bajo alguna influencia de droga o alcohol, y que este ha sido entrenado en el correcto funcionamiento de esta máquina, y ésta usando ropa apropiada y autorizada. Cualquier modificación a la máquina anula la garantía y puede causar daños a las personas usando la máquina mientras esta en el funcionamiento.

## REVISE EL PAQUETE A SU LLEGADA

Tras la recepcion de un envio Omcan favor inspeccionar daños externos. Si no hay daños evidentes en el empaque exterior, Habra el carton para asegurarse que todos los articulos solicitados estén dentro de la caja y no encuentre daños ocultos en la máquina. Si el paquete ha sufrido un manejo de poco cuidado, golpes o daños (visible o oculto) por favor anote en la factura antes de aceptar la entrega y contacte Omcan dentro de las 24 horas, de modo que podamos iniciar una reclamación con la compañía. Un informe detallado sobre los daños causados a la máquina debe ser llenado en el plazo de tres días, desde la fecha de entrega que se muestra en los documentos de envío. Omcan no tiene ningun recurso por productos dañados que se enviaron a recoger por terceros.

Antes de utilizar cualquier equipo, siempre lea y familiarizarse con todas las instrucciones de funcionamiento y seguridad.

Omcan le gustaría darle las gracias por la compra de esta máquina. Es de la mayor importancia para salvar estas instrucciones para futuras consultas. Además, guarda la caja original y el embalaje para el envío del equipo si servicio técnico o devolución de la máquina que se requiere.

# Safety and Warranty

---

- To minimize shock and fire hazards, be sure not to overload the outlet.
- To minimize electric shock and malfunction, do not spray the unit with water.
- To minimize fire hazards, do not use flammable spray products near the unit.
- After unplugging the unit, wait at least 6 minutes before re-plugging it. It may cause compressor failure if plugged in before 6 minutes waiting period.
- Cautions for cleaning:
  - Unplug the power cord before cleaning.

# ***Safety and Warranty***

---

- Do not unplug-plug the power cord with wet hands.
- Do not use an abrasive cleaners, solvents or polishing agents on plastic parts. Doing so might cause cracking or discoloring.
- When it is not in use:
  - Unplug the power cord.
  - Wipe inside with dry cloth, and you may leave the door slightly open to eliminate moisture and odor.

## **2 YEARS PARTS AND LABOUR / 5 YEARS PARTS ONLY ON COMPRESSOR WARRANTY**

**Within the warranty period, contact Omcan Inc. at 1-800-465-0234 to schedule an Omcan authorized service technician to repair the equipment locally.**

**Unauthorized maintenance will void the warranty. Warranty covers electrical and part failures, not improper use.**

**Please see <https://omcan.com/disclaimer> for complete info.**

### **WARNING:**

The packaging components are classified as normal solid urban waste and can therefore be disposed of without difficulty.

**In any case, for suitable recycling, we suggest disposing of the products separately (differentiated waste) according to the current norms.**

**DO NOT DISCARD ANY PACKAGING MATERIALS IN THE ENVIRONMENT!**



# Technical Specifications

## GLASS DOOR COOLERS

Model	RE-CN-0045-HC	RE-CN-0009-HC	RE-CN-0014-H
Temperature Range	0 - 5°C / 33 - 41°F		
Max Ambient Temp Rating	32°C / 90°F		
Power	1/4 HP	1/5 HP	
Electrical	110V / 60Hz / 1		115V / 60Hz / 1
Current	4.3A	2.88A	
Refrigerant	R290		
Cooling System	Ventilated		
Number of Doors	2	1	
Number of Shelves	8	4	
Shelf Capacity	90 lbs. / 41 kgs.	55.1 lbs. / 25 kgs.	77 lbs. / 35 kgs.
Exterior Dimensions (WDH)	53.3" x 32" x 83.8" 1353 x 813 x 2129mm	21.8" x 21.8" x 63" 552 x 552 x 1600mm	25.6" x 22.8" x 79.4" 650 x 579 x 2017mm
Interior Dimensions	50" x 28.5" x 62" 1270 x 724 x 1575mm	19" x 18" x 46" 483 x 457 x 1168mm	22.8" x 19.8" x 55" 579 x 503 x 1397mm
Net Volume	1270 L / 45 cu. ft.	258 L / 9.1 cu.ft.	398 L / 14 cu. ft.
Weight	441 lbs. / 200 kgs.	161 lbs. / 73 kgs.	220 lbs. / 99.8 kgs.
Item Number	50032	50033	50035

Model	RE-CN-0023-HC	RE-CN-0023-H	RE-CN-0052-HC
Temperature Range	0 - 5°C / 33 - 41°F		
Max Ambient Temp Rating	32°C / 90°F		
Power	1/5 HP		3/4 HP
Electrical	110V / 60Hz / 1		
Current	3A		10.7A
Refrigerant	R290		
Cooling System	Ventilated		
Number of Doors	1		3
Number of Shelves	4	5	12
Shelf Capacity	90 lbs. / 41 kgs.		
Exterior Dimensions (WDH)	28.3" x 31.9" x 83.6" 719 x 810 x 2123mm		78.3" x 29.9" x 84.6" 1988 x 759 x 2150mm
Interior Dimensions	25.2" x 28.3" x 62.3" 640 x 719 x 1582mm		73.7" x 25.6" x 55.7" 1872 x 650 x 1415mm
Net Volume	648 L / 23 cu. ft.		1501 L / 53 cu. ft.
Weight	320 lbs. / 145.2 kgs.		615 lbs. / 279 kgs.
Item Number	50036	50037	50052

# Technical Specifications

## GLASS DOOR FREEZERS

Model	FR-CN-0012-HC	FR-CN-0790-HC	FR-CN-1250-HC
Temperature Range	-23 - -18°C / -10 - -0°F		
Net Volume	368 L / 13 cu. ft.	648 L / 23 cu. ft.	821 L / 29 cu. ft.
Max Ambient Temp Rating	32°C / 90°F		
Power	3/4 HP		
Electrical	115V / 60Hz / 1		110V / 60Hz / 1
Current	8.8A	9.4A	
Refrigerant	R290		
Cooling System	Ventilated		
Number of Doors	1		2
Number of Shelves	4		8
Exterior Dimensions (WDH)	27.2" x 26.2" x 80.3" 691 x 665 x 2040mm	31" x 33" x 87" 790 x 845 x 2210mm	49.2" x 26.2" x 84.6" 1250 x 665 x 2149mm
Interior Dimensions	21.3" x 19.3" x 55" 541 x 490 x 1397mm	25.2" x 28.3" x 62" 640 x 720 x 1575mm	43.3" x 19.3" x 55.1" 1100 x 490 x 1400mm
Weight	374 lbs. / 170 kgs.	506 lbs. / 230 kgs.	397 lbs. / 180.1 kgs.
Item Number	50029	50030	50031

Model	FR-CN-1250-C	FR-CN-0045-HC
Temperature Range	-22 - -18°C / -7.6 - -0.4°F	-23° - -18°C / -10°- 0°F
Net Volume	708 L / 25 cu. ft.	1270 L / 45 cu. ft.
Max Ambient Temp Rating	32°C / 90°F	
Power	1.58 HP	1 HP
Electrical	110V / 60Hz / 1	115V / 60Hz / 1
Current	12A	9.2A
Refrigerant	R404a	R290
Cooling System	Ventilated	
Number of Doors	2	
Number of Shelves	8	10
Exterior Dimensions (WDH)	49.2" x 26.2" x 84.6" 1250 x 665 x 2149mm	53" x 32" x 79" 1350 x 810 x 2015mm
Interior Dimensions	43.3" x 19.3" x 55.1" 1100 x 490 x 1400mm	47" x 25" x 58" 1204 x 635 x 1480mm
Weight	397 lbs. / 180.1 kgs.	573 lbs. / 260 kgs.
Item Number	38025	50075

# *Installation*

---

## **IMPORTANT!!!PLEASE READ BEFORE INSTALLATION**

- The refrigeration system operates most efficiently when installed in an area with cool, dry air circulation.
- There must be at least 6 inches of clearance on both sides and the back of the cabinet.
- Select a location away from the heat and moisture generating equipment such as stoves, ovens, etc.
- Avoid direct sun rays.
- Be sure that the floor where you intend to install that unit is strong and level enough to support the total weight of the unit and its contents.
- To minimize shock and fire hazards, be sure that the unit is properly grounded. For your safety and protection, all units are equipped with a special three-prong grounding plug on the service cord.
- All units are designed for indoor use. Outdoor use may cause significant damage to the unit.

# *Maintenance*

---

- When loading the unit:
  - Be careful not to block the air duct located at the back and the fan on the ceiling of the unit with contents.
  - Blocking the air flow may cause decrease in performance.
  - For the best performance, maintain at least 4 inches of clearance between the contents and the air duct.
- Set the shelves that come with the unit to fit your needs.
- Temperature controller:
  - The controller is located at the right, front corner of the ceiling, or on the front bottom panel.
  - To adjust temperature please refer to the manual of temperature controller.
- Do not leave the unit door open for long period of time. For the most efficient operation, close the door immediately after the use.

## **ICE ACCUMULATION MAY OCCUR IN FREEZERS**

- **Try to reduce the amount of time the freezer doors remain open to prevent ice accumulation.**
- **Keep door seals clean to prevent air leakage.**
- **Scrape off any ice accumulated or try manual defrost mode.**

# Troubleshooting

SYMPTOMS	POSSIBLE CAUSE
Compressor will not start	Check if the power cord has been plugged in.
	Check for blown fuse.
Poor Performance	Move the unit from direct sun light, and avoid installing heating devices near the unit.
	Install the unit in a well ventilated place with minimum of 6" clearance in the back.
	Check the condenser, and clean if heavy dust is collected.
	Check to see if contents are blocking the air duct.
	Check to see if refrigerant charge is low.
	Make sure the door is completely closed.
No Interior Light	Turn off the light switch and turn it on again.
	Make sure the light is correctly inserted into the sockets.
	Check the light, and replace it if blown.
Unit Noisy	Make sure to install the unit on level surface.
	Make sure to maintain the minimum clearance of 6" from the wall.
	Check for the loose parts or mounting.
	Make sure the tubing is free from any contact to avoid tubing rattle.
Condensation on Cabinet and/or Floor	Reduce the relative humidity in the area where the unit is installed.
	Gasket on door or head section is not sealing properly. Repair or replace gasket as necessary.

# Controller Instructions

Digital controller model: PJEZ for cooler



Dimensioni (mm) / Dimensions (mm)

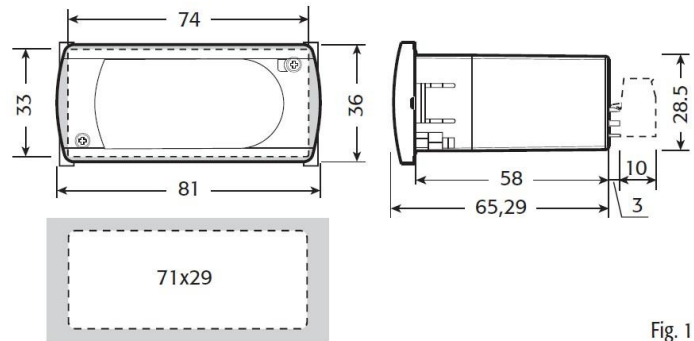


Fig. 1

## Display and functions


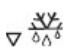

During normal operation, the controller displays the value of the probe set using parameter/4(=1 ambient probe, default, = 2 second probe, = 3 third probe). In addition, the display has LEDs that indicate the activation of the control functions (see Table 1), while the 3 buttons can be used to activate/deactivate some of the functions(see Table 2).

LED's and Associated Functions (Table 1)

Icon	Function	Normal Operation			Start Up
		ON	OFF	Blink	
	Compressor	On	Off	Request	ON
	Fan	On	Off	Request	ON
	Defrost	On	Off	Request	ON
	Aux	Output On	Output Off	-	ON
	Alarm	All	No Alarm	-	ON
	Clock	RTC fitted and enabled, at least 1 time band set	RTC not fitted or disabled, not even 1 time band set	-	ON if RTC fitted

# Controller Instructions

Table of Functions activated by the buttons - Models S, X, Y, C (Table 2)

Button		Normal Operation		Start Up	
		Pressing the Button Alone	Pressed Together		
	Up ON/OFF	More than 3 sec: toggle ON/OFF	Start/Stop continuous cycle	-	
	Down Defrost	More than 3 sec: start/stop defrost			
	Set Mute	- 1 sec.: display/set the set point. - more than 3 secs.: access parameter setting menu (enter password ) - mute audible alarm (buzzer)	-	Pressed together Start parameter reset procedure	For 1 sec. display firmware vers. code
					For 1 sec. RESET current EZY set

## Setting the set point (desired temperature)

- press **SET** for 1 sec, the set value will start flashing after a few moments;
- increase or decrease the value using **UP** or **DOWN**;
- press **SET** to confirm the new value.

## Switching the device ON/OFF

Press **UP** for more than 3 sec. The control and defrost algorithms are now disabled and the Instrument displays the message “OFF” alternating with the temperature read by the set probe.

## Manual defrost

Press for **DOWN** more than 3 sec (the defrost starts only the temperature conditions are valid).

## Continuous cycle

Press **UP** and **DOWN** together for more than 3 sec.

## Access and setting type F (frequent) and type C (configuration) parameters.

1. Press **SET** for 3 sec (the display will show “PS”).
2. • To access the type F and C parameter menu, enter the password “22” using **UP/DOWN**, press **SET** to confirm.  
• To access the F parameter menu only, press **SET** (without entering the password).
3. Scroll inside the parameter menu using **UP/DOWN**.



# Controller Instructions

- To display/set the values of the parameter displayed, press **SET**, then **UP/DOWN** and finally **SET** to confirm the changes (returning to the parameter menu).

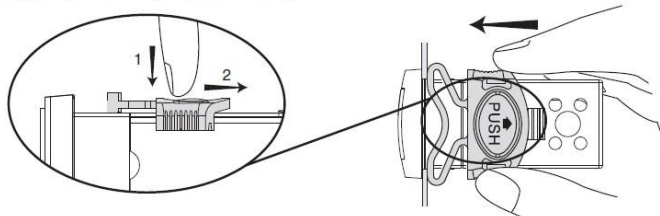
To save all the new values and exit the parameter menu, press **SET** for 3 s.

To exit the menu without saving the changed values (exit by timeout) do not press any button for at least 60 s.

## Digital controller model: IR33 for freezer

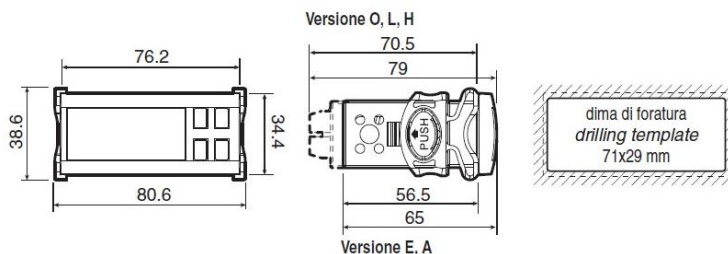


Montaggio a pannello ir33/ir33 panel mounting:








Montaggio a pannello mediante due staffe plastiche a scorrimento laterale  
Panel mounting by two lateral sliding plastic brackets

Dimensioni (mm) /Dimensions (mm)






## Signals on the display

The blinking status indicates a request for activation that cannot be implemented until the end of the Corresponding delay times.



Icon	Function	ON	OFF	Blink	Startup
	Compressor	Compressor on	Compressor off	Request	
	Fan	Fan on	Fan off	Request	
	Defrost	Defrost in progress	Defrost not required	Request	
AUX	Aux	Auxiliary Output AUX active	Auxiliary Output AUX not active	Anti-sweat heater function active	
	Alarm	Delayed external alarm (before the expiry of the time 'A7')	No alarm present	Alarms in normal operation (eg. high/low temp.) or alarm from ext. digital input immediate or delayed	
	Clock	At least one timed defrost has been set	No timed defrost is present	Clock alarm	On if Real-Time Clock present

# Controller Instructions



	Light	Auxiliary output light active	Auxiliary output light not active	Anti-sweat heater function active	
	Service		No malfunction	Malfunction (eg. EEPROM error or probe fault)	
HACCP	HACCP	HACCP function	HACCP function enabled	HACCP alarm (HA and/or HF) not enabled	
	Continuous Cycle	Enabled	Not enabled	Request	

## Setting the set point (desired temperature value)


To display or set the set point, proceed as follow:

1. press the “Set” button for more than 1 second to display the set point;
2. increase or decrease the value of the set point, using the “ *aux*” and “ *def*” respectively, until reaching the desired value;
3. press the “Set” button again to confirm the new value,



## Alarms with manual reset

The alarms with manual reset can be reset by pressing the “ *mute*” and “ *aux*” for more than 5 sec.




## Manual defrost

As well as the automatic defrost function, a manual defrost can be enabled, if the temperature conditions allow, by pressing the “ *def*” button for more than 5 sec.

## Continuous cycle

Pressing the buttons “ *aux*” and “ *def*” simultaneously for more than 5 seconds enables the continuous cycle function. During operation in continuous cycle, the compressor continues to operate for the time “cc” and it stops when it reaches the “cc” time out or the minimum temperature has been reached (AL = minimum temperature alarm threshold). Continuous cycle setting: “cc” parameter (continuous cycle duration): “cc”=0 never active; “c6” parameter (by passing the alarm after the continuous cycle): “cc” = 0 never active; it avoid or delays the low temperature alarm after the continuous cycle.

## Accessing the configuration parameter (type C)

1. Pressing the “ *mute*” and “Set” buttons at the same time for more than 5 sec, the display will show “00”(password prompt).
2. Use the “ *aux*” or “ *def*” buttons to display the number “22” (parameter access password).
3. Confirm by pressing “Set”.
4. The display will show the first modifiable “C” parameter.

# Controller Instructions

## Accessing the configuration parameter (type F)

1. Hold the "**Prg**<sub>mute</sub>" button for more than 5 s (if there are active alarms, first mute the buzzer), the display will show the first modifiable "F" parameter.

## Modifying the parameters

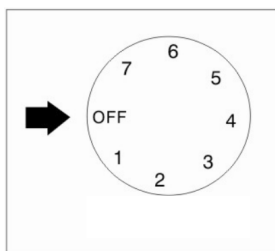
After having displayed the parameter, either type "C" or type "F", proceed as follows:

1. Use the "**▲**<sub>aux</sub>" or "**▼**<sub>def</sub>" buttons to scroll the parameters, until reaching the parameter to be modified; when scrolling the parameters, an icon is shown on the display that represents the category of the parameter.
2. Alternatively, press the "**Prg**<sub>mute</sub>" button to display a menu that can be used to quickly access the family of parameters to be modified.
3. Scrolling the menu using the "**▲**<sub>aux</sub>" and "**▼**<sub>def</sub>" buttons displays the codes of the various categories of parameter, accompanied by the corresponding icon on the display(if present).
4. Once having reached the desired category, press "**Set**" to go directly to the first parameter in the chosen category(if no parameter is visible, pressing the "**Set**" button will have no effect).
5. At this stage, modify the parameters or return to the "Category" menu, using the "**Prg**<sub>mute</sub>" button.
6. Press "**Set**" to display the value associated with the parameter.
7. Increase or decrease the value using the "**▲**<sub>aux</sub>" or "**▼**<sub>def</sub>" buttons respectively.
8. Press "**Set**" to temporarily save the new value and return to the display of the parameter.
9. Repeat the operation from point 1 or point 2.
10. If the parameter has sub-parameters, press "**Set**" to display the first sub-parameter.
11. Press the "**▲**<sub>aux</sub>" or "**▼**<sub>def</sub>" button to display all the sub-parameters.
12. Press "**Set**" to display the associated value.
13. Increase or decrease the value using the "**▲**<sub>aux</sub>" or "**▼**<sub>def</sub>" button respectively.
14. Press "**Set**" to temporarily save the new value and return to the display of the sub-parameter code.
15. Press "**Prg**<sub>mute</sub>" to return to the display of the parent parameter.

## Saving the new values assigned to the parameters

To definitely save the new values of the modified parameters, press the "**Prg**<sub>mute</sub>" button for more than 5 seconds, thus exiting the parameter setting procedure. All the modification made to the parameters temporarily saved in the RAM, can be cancelled and "normal operation" resumed by not pressing any button for 60 seconds, thus allowing the parameter setting session to expire due to timeout if the Instrument is switched off before pressing the "**Prg**<sub>mute</sub>" button, all the modifications made to the parameters and temporarily saved will be lost.

## Mechanical Controller Instructions



OFF: shut the compressor off

Temperature range from 7 (coldest) to 1 (warmest).

**CAUTION:** Setting the temperature control to the coldest setting may cause the evaporator coil to freeze and ice up. This will eventually result in a warmer cabinet temperature.

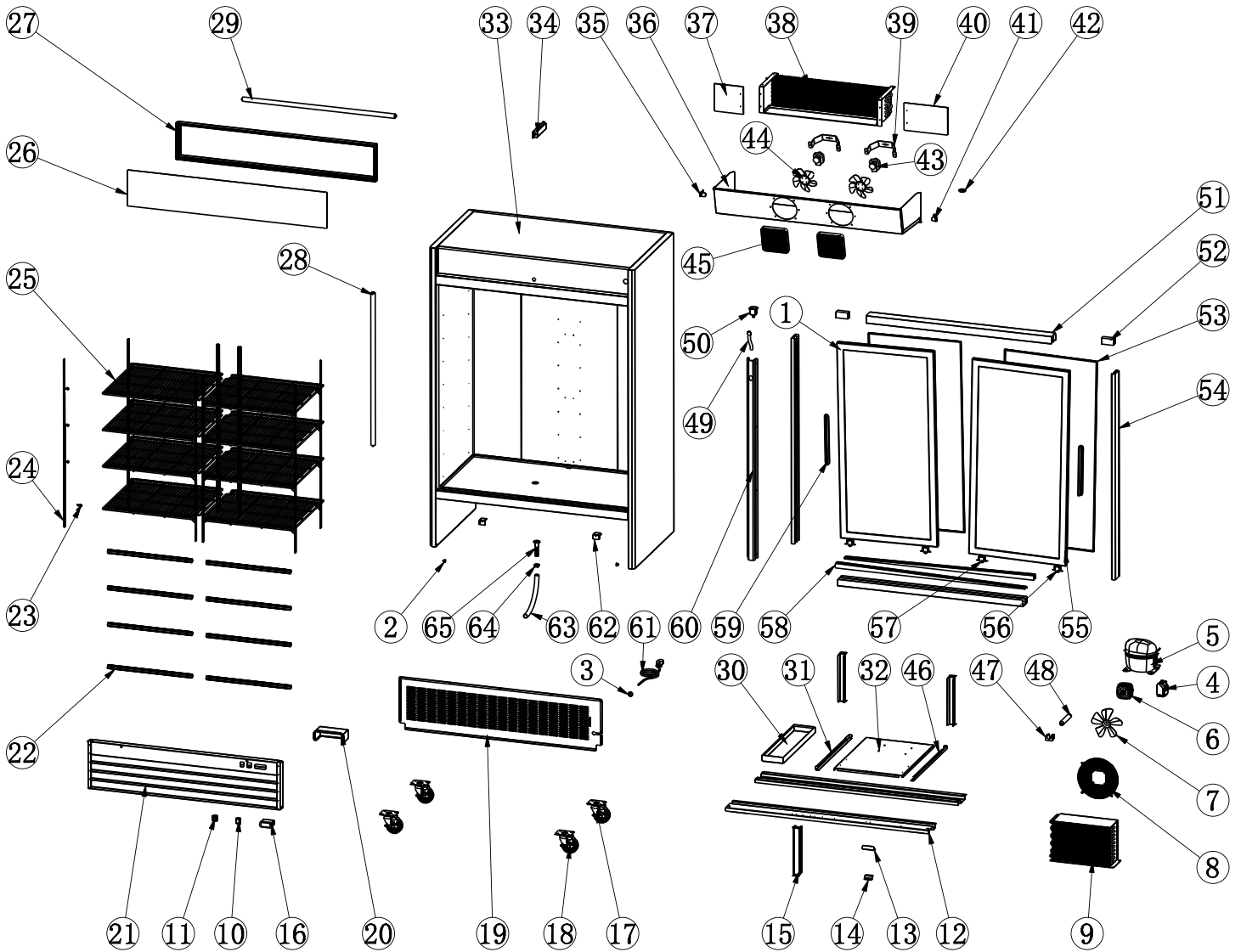
# Controller Instructions

## REFERENCE

Item Number	Model Number	Description	Manufacturer Model Number
50032	RE-CN-0045-HC	Refrigerator 2 Door Glass 44.8 cu.ft. 110V/60/1 cETLus/ETL Sanitation	G1.2YBM2F-HC
50033	RE-CN-0009-HC	Refrigerator 1 Door Glass 9.1 cu.ft. 110V/60/1 cETLus/ETL Sanitation	G258BMF-HC
50035	RE-CN-0014-H	Refrigerated 1 Door Glass Merchandiser 14 cu.ft. cETLus/ETL Sanitation	G398BMF-HC
50036	RE-CN-0023-HC	Refrigerator 1 Door Glass 22.8 cu.ft. 110V/60/1 cETLus/ETL Sanitation	G648BMF-HC
50037	RE-CN-0023-H	Refrigerator 1 Door Glass 22.8 cu.ft. 110V/60/1 Black Color with 5 Shelves cETLus/ETL Sanitation	G648BMF-BL-HC
50052	RE-CN-0052-HC	Refrigerator 3 Door Glass 52.3 cu.ft. 110V/60/1 cETLus/ETL Sanitation	SG1.9L3-HC
50029	FR-CN-0012-HC	Freezer 1 Door Glass Merchandiser White 12.3 cu.ft. 110V/60/1 cETLus/ETL Sanitation	D368BMF-HC
50030	FR-CN-0790-HC	Freezer Glass Door Single Door 31" / 790mm 110V/60/1 cETLus/ETL Sanitation	D648BMF-HC
50031	FR-CN-1250-HC	Freezer Glass Door Dual Door D Breaker 49" / 1250mm 110V/60/1 cETLus/ETL Sanitation	D768BM2F-HC
38025	FR-CN-1250-C	Freezer Glass Door Dual Door Crankcase Regulator 49" / 1250mm 110V/60/1 ETL cETLus	D768BM2F-CPR
50075	FR-CN-0045-HC	Freezer 2 Door Glass 44.8 cu.ft. 115V/60/1 cETLus/ETL Sanitation	D1.2BM2F-HC

# Parts Breakdown

Model RE-CN-0045-HC 50032



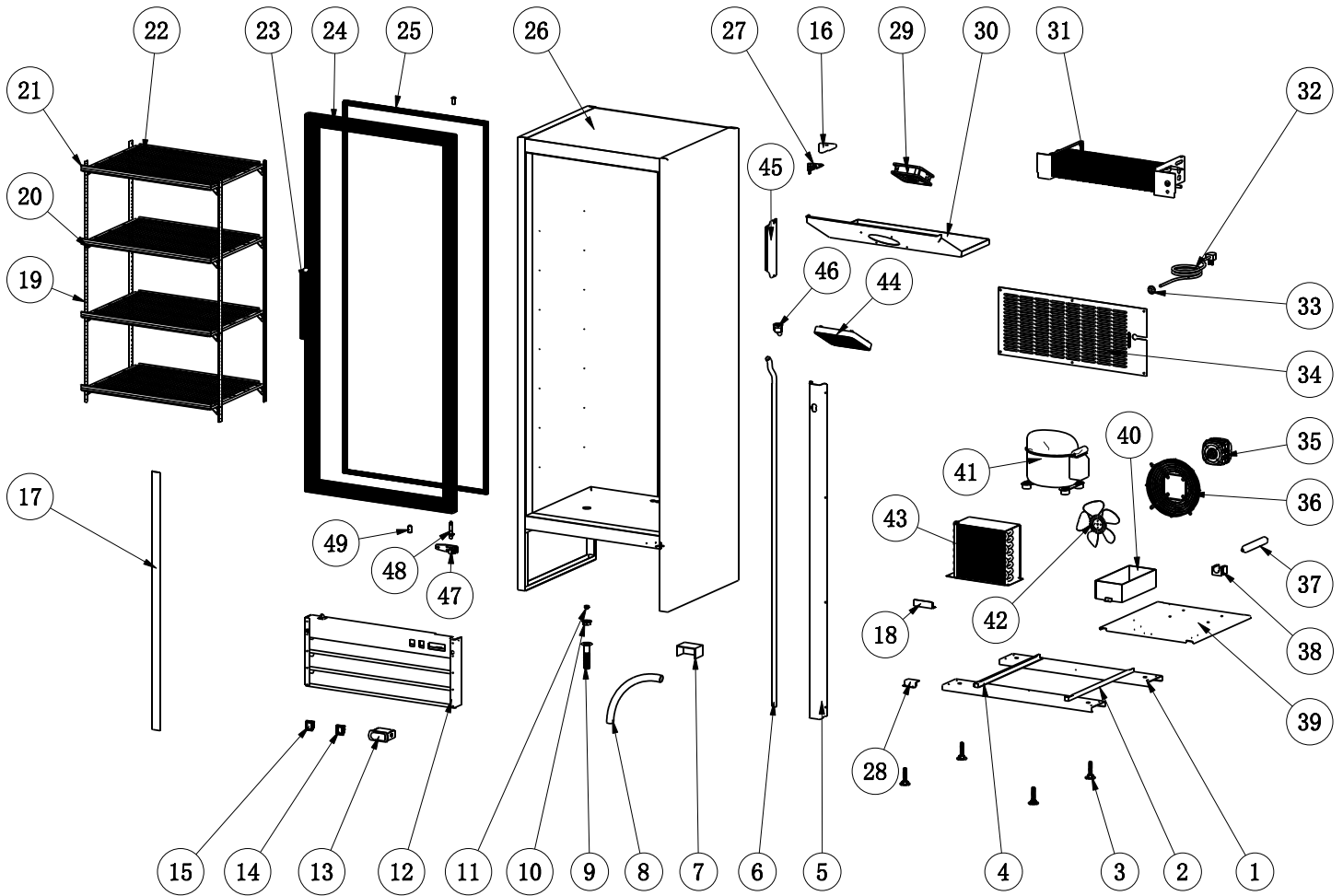
# Parts Breakdown

## Model RE-CN-0045-HC 50032

Item No.	Description	Position	Item No.	Description	Position	Item No.	Description	Position
AA766	Left Glass Door for G1.2YBM2F-HC	1	AA385	K Clip for G1.2YBM2F-HC	23	AA710	Evaporator Fan Motor Cover for G1.2YBM2F-HC	45
AA767	Front Grill Fixer for G1.2YBM2F-HC	2	AA778	K Strip for G1.2YBM2F-HC	24	AA795	Right Track for Installation Board for G1.2YBM2F-HC	46
AA703	Power Cord Cover for G1.2YBM2F-HC	3	AA779	Shelf for G1.2YBM2F-HC	25	AA129	Filter Fixer for G1.2YBM2F-HC	47
AA768	Compressor Component for G1.2YBM2F-HC	4	AA780	Light Plate for G1.2YBM2F-HC	26	AA130	Filter for G1.2YBM2F-HC	48
64168	Compressor for G1.2YBM2F-HC	5	AA781	Light Box for G1.2YBM2F-HC	27	AA528	Drain Hose for G1.2YBM2F-HC	49
AA247	Condenser Fan Motor for G1.2YBM2F-HC	6	AA722	LED Light for G1.2YBM2F-HC	28	AA712	Inner Drain Tube Connector for G1.2YBM2F-HC	50
AA764	Condenser Fan Motor Blade for G1.2YBM2F-HC	7	AA782	LED Light in Light Box for G1.2YBM2F-HC	29	AA796	Upper or Bottom Cabinet Frame for G1.2YBM2F-HC	51
AA769	Condenser Fan Cover for G1.2YBM2F-HC	8	AA783	Outer Drain Pan for G1.2YBM2F-HC	30	AA797	Rubber Limited Block for G1.2YBM2F-HC	52
AA770	Condenser for G1.2YBM2F-HC	9	AA784	Left Track for Installation Board for G1.2YBM2F-HC	31	AA798	Seal Strip for G1.2YBM2F-HC	53
AA362	LED Light Switch for G1.2YBM2F-HC	10	AA785	Compressor Unit Installation Board for G1.2YBM2F-HC	32	AA799	Left or Right Cabinet Frame for G1.2YBM2F-HC	54
AA124	Power Switch for G1.2YBM2F-HC	11	AA786	Cabinet for G1.2YBM2F-HC	33	AA800	Right Glass Door for G1.2YBM2F-HC	55
AA771	Caster Supporter for G1.2YBM2F-HC	12	AA787	LED Power Supply for G1.2YBM2F-HC	34	AA801	Bigger Wheel for Door for G1.2YBM2F-HC	56
AA772	Handle for Installation Board for G1.2YBM2F-HC	13	AA788	Left Bracket for Evaporator Fan Cover for G1.2YBM2F-HC	35	AA802	Smaller Wheel for Door for G1.2YBM2F-HC	57
AA773	Limit Block for Installation Board for G1.2YBM2F-HC	14	AA789	Evaporator Cover for G1.2YBM2F-HC	36	AA803	Door Track for G1.2YBM2F-HC	58
AA774	Support Rod for G1.2YBM2F-HC	15	AA790	Left End Plate for Evaporator for G1.2YBM2F-HC	37	AA191	Door Handle for G1.2YBM2F-HC	59
AA123	Thermostat for G1.2YBM2F-HC	16	AA791	Evaporator for G1.2YBM2F-HC	38	AA804	Air Pipe Protection Board for G1.2YBM2F-HC	60
AA743	4" Caster without Brake for G1.2YBM2F-HC	17	AA757	Evaporator Fan Motor Bracket for G1.2YBM2F-HC	39	AA805	Power Cord for G1.2YBM2F-HC	61
AA584	Caster with Brake for G1.2YBM2F-HC	18	AA792	Right End Plate for Evaporator for G1.2YBM2F-HC	40	AA806	Grill Fixer for G1.2YBM2F-HC	62
AA775	Back Grill for G1.2YBM2F-HC	19	AA793	Right Bracket for Evaporator Fan Cover for G1.2YBM2F-HC	41	AA216	Drain Tube for G1.2YBM2F-HC	63
AA214	Thermostat Waterproof Cover for G1.2YBM2F-HC	20	AA794	Power Cord Cover for G1.2YBM2F-HC	42	AA687	Drain Pipe Cover for G1.2YBM2F-HC	64
AA776	Front Grill for G1.2YBM2F-HC	21	68809	Evaporator Fan Motor for G1.2YBM2F-HC	43	AA686	Plastic Drain Pipe with Fixer for G1.2YBM2F-HC	65
AA777	Shelf Tag for G1.2YBM2F-HC	22	61219	Evaporator Fan Blade for G1.2YBM2F-HC	44			

# Parts Breakdown

Model RE-CN-0009-HC 50033



# Parts Breakdown

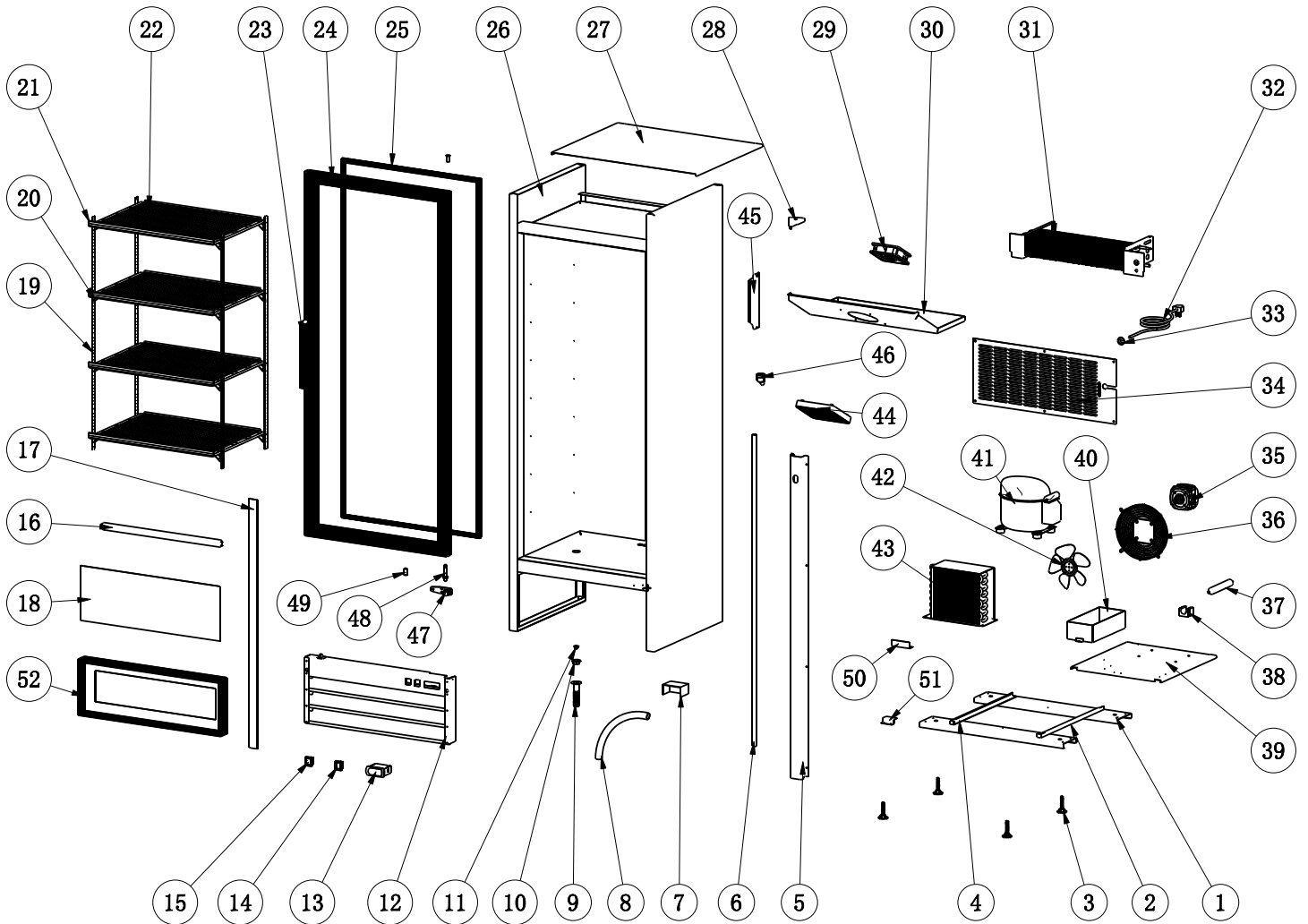
## Model RE-CN-0009-HC 50033

Item No.	Description	Position	Item No.	Description	Position	Item No.	Description	Position
AA682	Castor Supporter for G258BMF-HC	1	AA691	Handle of Installation Board for G258BMF-HC	18	AA704	Back Grill for G258BMF-HC	34
AA683	Right Track for Installation Board for G258BMF-HC	2	AA692	K Strip for G258BMF-HC	19	AA705	Condenser Fan Motor for G258BMF-HC	35
AA185	Leveling Feet for G258BMF-HC	3	AA385	K Clip for G258BMF-HC	20	AA706	Condenser Fan Motor Cover for G258BMF-HC	36
AA684	Left Track for Installation Board for G258BMF-HC	4	AA693	Shelf Tag for G258BMF-HC	21	AA130	Filter for G258BMF-HC	37
AA685	Back Plate for G258BMF-HC	5	AA694	Shelf for G258BMF-HC	22	AA129	Filter Fixer for G258BMF-HC	38
AA528	Drain Hose for G258BMF-HC	6	AA695	Glass Door Handle for G258BMF-HC	23	AA707	Compressor Unit Installation Board for G258BMF-HC	39
AA214	Thermostat Waterproof Cover for G258BMF-HC	7	AA696	Glass Door for G258BMF-HC	24	AA708	Outer Drain Pan for G258BMF-HC	40
AA216	Drain Tube for G258BMF-HC	8	AA697	Glass Door Gasket for G258BMF-HC	25	64167	Compressor for G258BMF-HC	41
AA686	Plastic Drain Pipe with Fixer for G258BMF-HC	9, 10	AA698	Cabinet for G258BMF-HC	26	AA208	Condenser Fan Blade for G258BMF-HC	42
AA687	Drain Pipe Cover for G258BMF-HC	11	AA699	Upper Hinge for G258BMF-HC	27	AA709	Condenser for G258BMF-HC	43
AA688	Front Grill for G258BMF-HC	12	AA700	Complete Installation Board Limited Block for G258BMF-HC	28	AA710	Evaporator Fan Motor Cover for G258BMF-HC	44
AA123	Thermostat for G258BMF-HC	13	AA128	Evaporator Fan Motor for G258BMF-HC	29	AA711	LED Power Supply for G258BMF-HC	45
AA362	LED Light Switch for G258BMF-HC	14	AA701	Evaporator Cover for G258BMF-HC	30	AA712	Inner Drain Tube Connector for G258BMF-HC	46
AA124	Power Switch for G258BMF-HC	15	AA702	Evaporator for G258BMF-HC	31	AA713	Bottom Hinge for G258BMF-HC	47
AA689	Upper Hinge Cover for G258BMF-HC	16	AA135	Power Cord for G258BMF-HC	32	AA714	Hinge Axis for G258BMF-HC	48
AA690	LED Light for G258BMF-HC	17	AA703	Power Cord Cover for G258BMF-HC	33	AA715	Axis Cover for G258BMF-HC	49



# Parts Breakdown

Model RE-CN-0014-H 50035



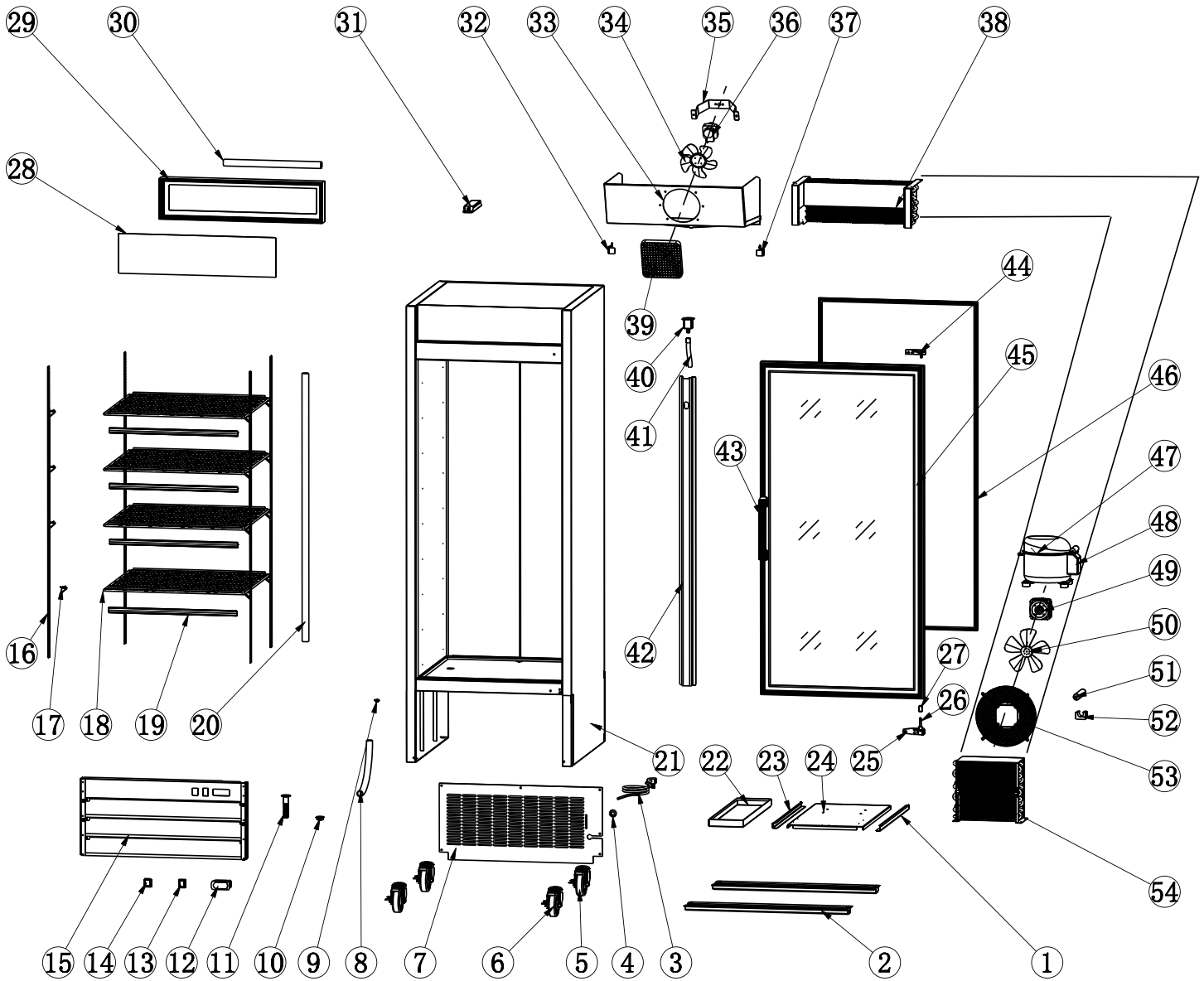
# Parts Breakdown

## Model RE-CN-0014-H 50035

Item No.	Description	Position	Item No.	Description	Position	Item No.	Description	Position
AA716	Castor Supporter for G398BMF-HC	1	AA724	K Strip for G398BMF-HC	19	AA735	Condenser Fan Motor Cover for G398BMF-HC	36
AA717	Right Track for Installation Board for G398BMF-HC	2	AA385	K Clip for G398BMF-HC	20	AA130	Filter for G398BMF-HC	37
AA185	Leveling Feet for G398BMF-HC	3	AA725	Shelf Tag for G398BMF-HC	21	AA129	Filter Fixer for G398BMF-HC	38
AA718	Left Track for Installation Board for G398BMF-HC	4	AA726	Shelf for G398BMF-HC	22	AA736	Compressor Unit Installation Board for G398BMF-HC	39
AA719	Air Pipe Protection Board for G398BMF-HC	5	AA695	Glass Door Handle for G398BMF-HC	23	AA737	Outer Drain Pan for G398BMF-HC	40
AA528	Drain Hose for G398BMF-HC	6	AA727	Glass Door for G398BMF-HC	24	64167	Compressor for G398BMF-HC	41
AA214	Thermostat Waterproof Cover for G398BMF-HC	7	AA728	Glass Door Gasket for G398BMF-HC	25	AA208	Condenser Fan Blade for G398BMF-HC	42
AA216	Drain Tube for G398BMF-HC	8	AA729	Cabinet for G398BMF-HC	26	AA709	Condenser for G398BMF-HC	43
AA686	Plastic Drain Pipe with Fixer for G398BMF-HC	9, 10	AA730	Top Cover for G398BMF-HC	27	AA710	Evaporator Fan Motor Cover for G398BMF-HC	44
AA687	Drain Pipe Cover for G398BMF-HC	11	AA731	Upper Hinge for G398BMF-HC	28	AA711	LED Power Supply for G398BMF-HC	45
AA720	Front Grill for G398BMF-HC	12	AA128	Evaporator Fan Motor for G398BMF-HC	29	AA712	Inner Drain Tube Connector for G398BMF-HC	46
AA123	Thermostat for G398BMF-HC	13	AA732	Evaporator Cover for G398BMF-HC	30	AA713	Bottom Hinge for G398BMF-HC	47
AA362	LED Light Switch for G398BMF-HC	14	AA733	Evaporator for G398BMF-HC	31	AA714	Hinge Axis for G398BMF-HC	48
AA124	Power Switch for G398BMF-HC	15	AA135	Power Cord for G398BMF-HC	32	AA715	Axis Cover for G398BMF-HC	49
AA721	LED in Light Box for G398BMF-HC	16	AA703	Power Cord Cover for G398BMF-HC	33	AA738	Handle of Installation Board for G398BMF-HC	50
AA722	LED Light for G398BMF-HC	17	AA734	Back Grill for G398BMF-HC	34	AA739	Limit Block for Installation Board for G398BMF-HC	51
AA723	Handle of Installation Board for G398BMF-HC	18	AA705	Condenser Fan Motor for G398BMF-HC	35	AA740	Light Box Frame for G398BMF-HC	52

# Parts Breakdown

Model RE-CN-0023-HC 50036



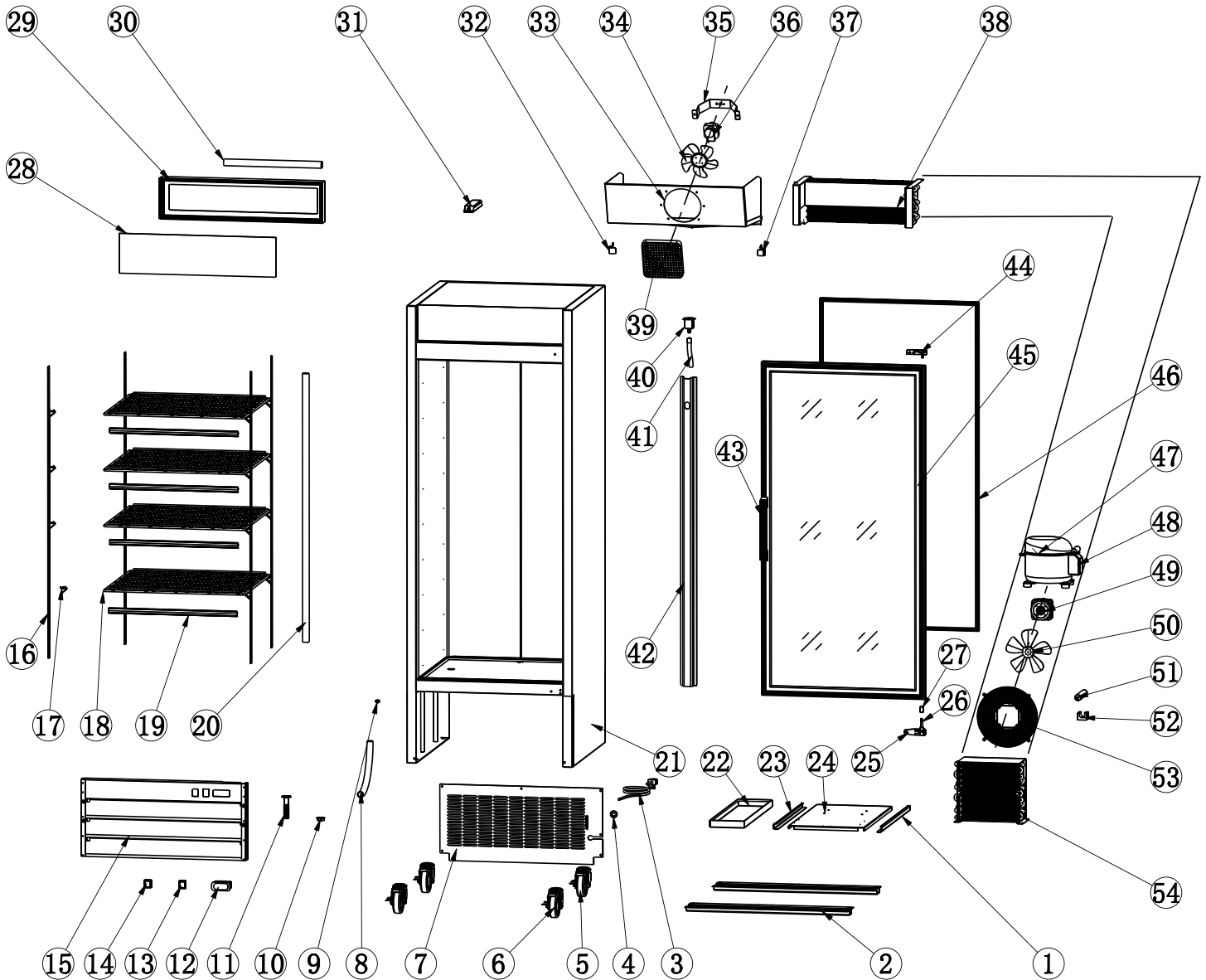
# Parts Breakdown

## Model RE-CN-0023-HC 50036

Item No.	Description	Position	Item No.	Description	Position	Item No.	Description	Position
AA741	Right Track for Installation Board for G648BMF-HC	1	AA722	LED Light for G648BMF-HC	20	AA759	Evaporator for G648BMF-HC	38
AA742	Castor Supporter for G648BMF-HC	2	AA749	Cabinet for G648BMF-HC	21	AA710	Evaporator Fan Motor Cover for G648BMF-HC	39
AA135	Power Cord for G648BMF-HC	3	AA750	Outer Drain Pan for G648BMF-HC	22	AA712	Inner Drain Tube Connector for G648BMF-HC	40
AA703	Power Cord Cover for G648BMF-HC	4	AA751	Left Track for Installation Board for G648BMF-HC	23	AA528	Drain Hose for G648BMF-HC	41
AA743	4" Castor without Brake for G648BMF-HC	5	AA752	Compressor Unit Installation Board for G648BMF-HC	24	AA760	Air Pipe Protection Board for G648BMF-HC	42
AA584	Castor with Brake for G648BMF-HC	6	AA713	Bottom Hinge for G648BMF-HC	25	AA695	Glass Door Handle for G648BMF-HC	43
AA744	Back Grill for G648BMF-HC	7	AA714	Hinge Axis for G648BMF-HC	26	AA731	Upper Hinge for G648BMF-HC	44
AA216	Drain Tube for G648BMF-HC	8	AA715	Axis Cover for G648BMF-HC	27	AA761	Glass Door for G648BMF-HC	45
AA687	Drain Pipe Cover for G648BMF-HC	9	AA753	Light Box Plate for G648BMF-HC	28	AA762	Gasket for G648BMF-HC	46
AA686	Plastic Drain Pipe with Fixer for G648BMF-HC	10, 11	AA754	Light Box Frame for G648BMF-HC	29	64167	Compressor for G648BMF-HC	47
AA123	Thermostat for G648BMF-HC	12	AA721	LED in Light Box for G648BMF-HC	30	AA763	Compressor Component for G648BMF-HC	48
AA362	LED Light Switch for G648BMF-HC	13	AA711	LED Power Supply for G648BMF-HC	31	AA247	Condenser Fan Motor for G648BMF-HC	49
AA124	Power Switch for G648BMF-HC	14	AA755	Left Bracket for Evaporator Fan Cover for G648BMF-HC	32	AA764	Condenser Fan Motor Blade for G648BMF-HC	50
AA745	Front Grill for G648BMF-HC	15	AA756	Evaporator Cover for G648BMF-HC	33	AA130	Filter for G648BMF-HC	51
AA746	K Strip for G648BMF-HC	16	61219	Evaporator Fan Blade for G648BMF-HC	34	AA129	Filter Fixer for G648BMF-HC	52
AA385	K Clip for G648BMF-HC	17	AA757	Evaporator Fan Motor Bracket for G648BMF-HC	35	AA765	Condenser Fan Motor Cover for G648BMF-HC	53
AA747	Shelf for G648BMF-HC	18	68809	Evaporator Fan Motor for G648BMF-HC	36	AA250	Condenser for G648BMF-HC	54
AA748	Shelf Tag for G648BMF-HC	19	AA758	Right Bracket for Evaporator Fan Cover for G648BMF-HC	37			

# Parts Breakdown

Model RE-CN-0023-H 50037



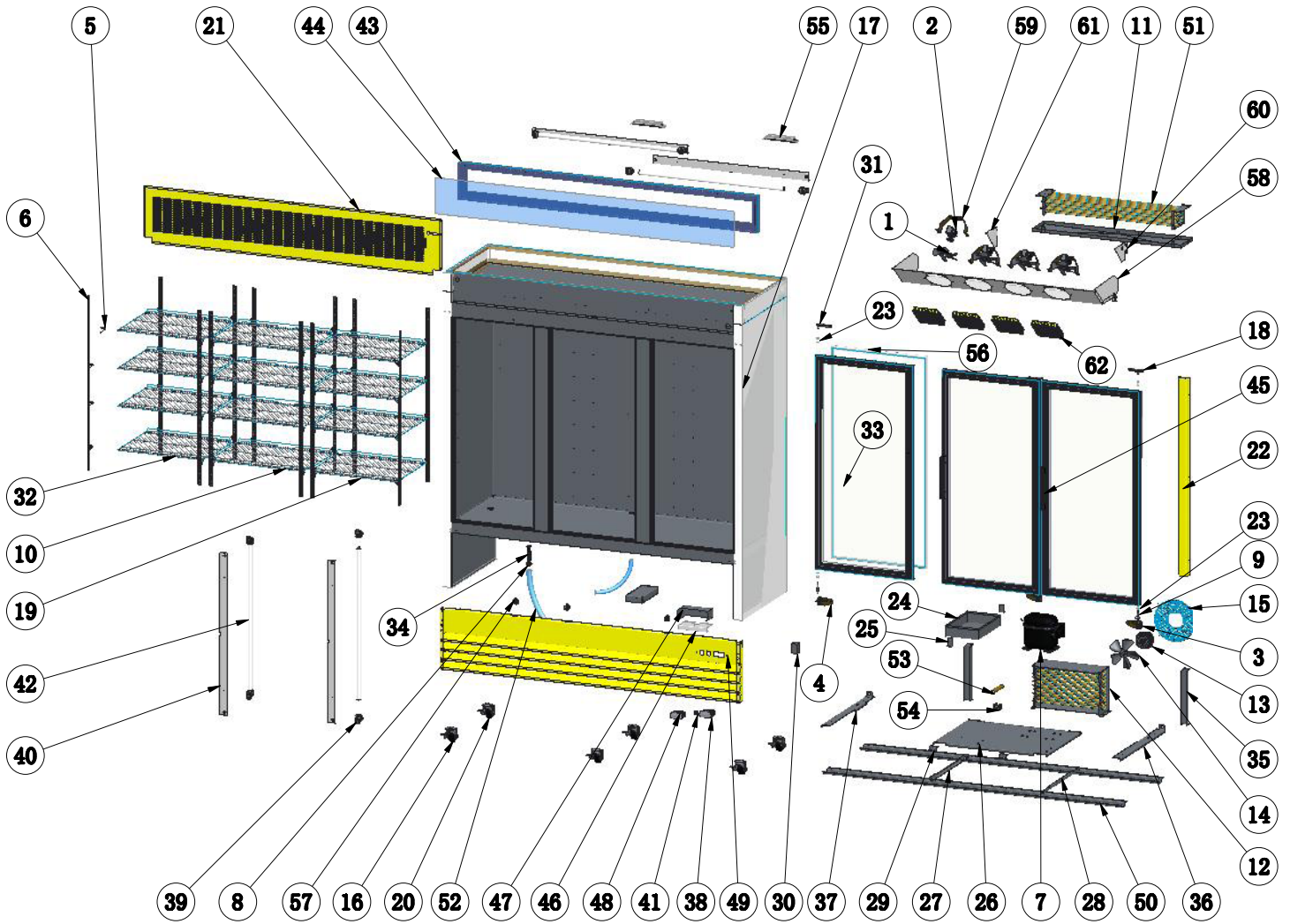
# Parts Breakdown

## Model RE-CN-0023-H 50037

Item No.	Description	Position	Item No.	Description	Position	Item No.	Description	Position
AB953	Right Track for Installation Board for G648BMF-BL-HC	1	AA722	LED Light for G648BMF-BL-HC	20	AA759	Evaporator for G648BMF-BL-HC	38
AB954	Castor Supporter for G648BMF-BL-HC	2	AB958	Cabinet for G648BMF-BL-HC	21	AA710	Evaporator Fan Motor Cover for G648BMF-BL-HC	39
AA135	Power Cord for G648BMF-BL-HC	3	AB959	Outer Drain Pan for G648BMF-BL-HC	22	AA712	Inner Drain Tube Connector for G648BMF-BL-HC	40
AA703	Power Cord Cover for G648BMF-BL-HC	4	AB960	Left Track for Installation Board for G648BMF-BL-HC	23	AA528	Drain Hose for G648BMF-BL-HC	41
AA743	4" Castor without Brake for G648BMF-BL-HC	5	AB961	Compressor Unit Installation Board for G648BMF-BL-HC	24	AB965	Air Pipe Protection Board for G648BMF-BL-HC	42
AA584	Castor with Brake for G648BMF-BL-HC	6	AA713	Bottom Hinge for G648BMF-BL-HC	25	AA695	Glass Door Handle for G648BMF-BL-HC	43
AB955	Back Grill for G648BMF-BL-HC	7	AA714	Hinge Axis for G648BMF-BL-HC	26	AB966	Upper Hinge for G648BMF-BL-HC	44
AA216	Drain Tube for G648BMF-BL-HC	8	AA715	Axis Cover for G648BMF-BL-HC	27	AA761	Glass Door for G648BMF-BL-HC	45
AA687	Drain Pipe Cover for G648BMF-BL-HC	9	AA753	Light Box Plate for G648BMF-BL-HC	28	AA762	Gasket for G648BMF-BL-HC	46
AA686	Plastic Drain Pipe with Fixer for G648BMF-BL-HC	10, 11	AA754	Light Box Frame for G648BMF-BL-HC	29	64167	Compressor for G648BMF-BL-HC	47
AA123	Thermostat for G648BMF-BL-HC	12	AA721	LED in Light Box for G648BMF-BL-HC	30	AB967	Compressor Component for G648BMF-BL-HC	48
AA362	LED Light Switch for G648BMF-BL-HC	13	AA711	LED Power Supply for G648BMF-BL-HC	31	AA247	Condenser Fan Motor for G648BMF-BL-HC	49
AA124	Power Switch for G648BMF-BL-HC	14	AB962	Left Bracket for Evaporator Fan Cover for G648BMF-BL-HC	32	AA764	Condenser Fan Motor Blade for G648BMF-BL-HC	50
AB956	Front Grill for G648BMF-BL-HC	15	AB963	Evaporator Cover for G648BMF-BL-HC	33	AB594	Filter for G648BMF-BL-HC	51
AB957	K Strip for G648BMF-BL-HC	16	61219	Evaporator Fan Blade for G648BMF-BL-HC	34	AB595	Filter Fixer for G648BMF-BL-HC	52
AA385	K Clip for G648BMF-BL-HC	17	AA757	Evaporator Fan Motor Bracket for G648BMF-BL-HC	35	AA249	Condenser Fan Motor Cover for G648BMF-BL-HC	53
AA747	Shelf for G648BMF-BL-HC	18	68809	Evaporator Fan Motor for G648BMF-BL-HC	36	AA250	Condenser for G648BMF-BL-HC	54
AA748	Shelf Tag for G648BMF-BL-HC	19	AB964	Right Bracket for Evaporator Fan Cover for G648BMF-BL-HC	37			

# Parts Breakdown

Model RE-CN-0052-HC 50052



# Parts Breakdown

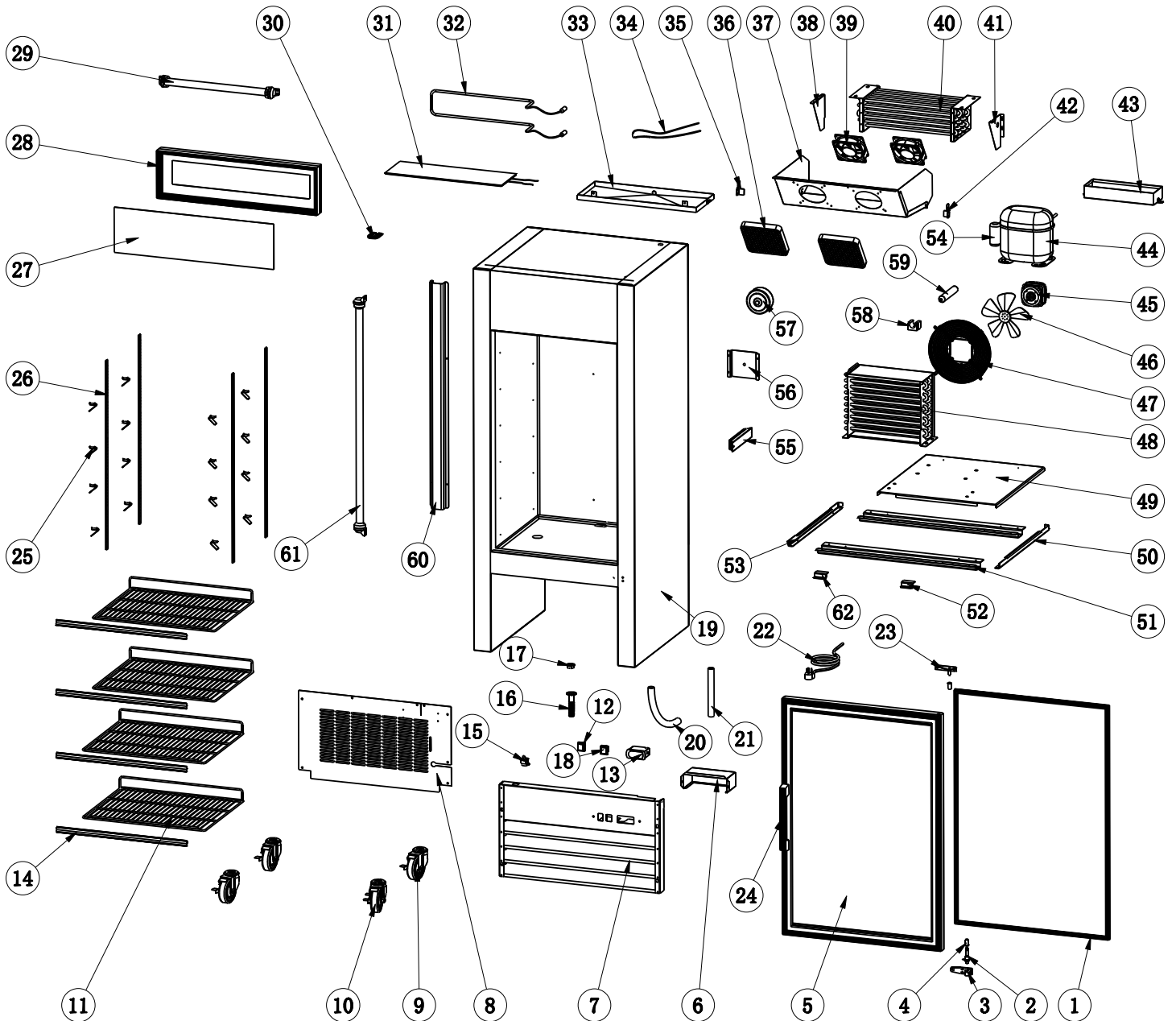
## Model RE-CN-0052-HC 50052

Item No.	Description	Position	Item No.	Description	Position	Item No.	Description	Position
61219	Evaporator Fan Blade for SG1.9L3-HC	1	AA820	Air Pipe Protection Board for SG1.9L3-HC	22	AA837	Light Box Plate for SG1.9L3-HC	44
68809	Evaporator Fan Motor for SG1.9L3-HC	2	AA715	Axis Cover for SG1.9L3-HC	23	AA695	Glass Door Handle for SG1.9L3-HC	45
AA807	Right Bottom Hinge for SG1.9L3-HC	3	AA821	Outer Drain Pan for SG1.9L3-HC	24	AA838	Thermostat Installation Plate for SG1.9L3-HC	46
AA808	Left Bottom Hinge for SG1.9L3-HC	4, 31	AA822	Outer Drain Pan Fixer for SG1.9L3-HC	25	AA839	Waterproof Cover for Thermostat for SG1.9L3-HC	47
AA385	K Clip for SG1.9L3-HC	5	AA823	Installation Board for SG1.9L3-HC	26	AA124	Power Switch for SG1.9L3-HC	48
AA809	K Strip for SG1.9L3-HC	6	AA824	Right Track for Installation Board for SG1.9L3-HC	27	AA840	Front Grill for SG1.9L3-HC	49
64170	Compressor for SG1.9L3-HC	7	AA825	Left Track for Installation Board for SG1.9L3-HC	28	AA841	Caster Supporter for SG1.9L3-HC	50
AA687	Drain Pipe Cover for SG1.9L3-HC	8	AA826	Installation Board Limited Block for SG1.9L3-HC	29	AA842	Evaporator for SG1.9L3-HC	51
AA810	Bottom Hinge Axis for SG1.9L3-HC	9	AA827	Handle for Installation Board for SG1.9L3-HC	30	AA216	Drain Tube for SG1.9L3-HC	52
AA811	Middle Shelf for SG1.9L3-HC	10	AA829	Left Shelf for SG1.9L3-HC	32	AA130	Filter for SG1.9L3-HC	53
AA812	Inner Drain Pan for SG1.9L3-HC	11	AA830	Left Glass Door for SG1.9L3-HC	33	AA129	Filter Fixer for SG1.9L3-HC	54
AA300	Condenser for SG1.9L3-HC	12	AA686	Plastic Drain Pipe with Fixer for SG1.9L3-HC	34	AA787	LED Power Supply for SG1.9L3-HC	55
AA813	Condenser Fan Motor for SG1.9L3-HC	13	AA831	Supporting Board for SG1.9L3-HC	35	AA843	Gasket for SG1.9L3-HC	56
AA814	Condenser Fan Motor Blade for SG1.9L3-HC	14	AA832	Right Connecting Board for Caster for SG1.9L3-HC	36	AA844	Door Switch for SG1.9L3-HC	57
AA815	Condenser Fan Motor Cover for SG1.9L3-HC	15	AA833	Left Connecting Board for Caster for SG1.9L3-HC	37	AA845	Evaporator Cover for SG1.9L3-HC	58
AA584	Caster with Brake for SG1.9L3-HC	16	AA123	Thermostat for SG1.9L3-HC	38	AA757	Evaporator Fan Motor Bracket for SG1.9L3-HC	59
AA816	Cabinet for SG1.9L3-HC	17	AA834	Fixer for Inner LED Light for SG1.9L3-HC	39	AA846	Right Baffle for Evaporator Fan Motor for SG1.9L3-HC	60
AA817	Right Upper Hinge for SG1.9L3-HC	18	AA835	LED Inside Cabinet for SG1.9L3-HC	40	AA847	Left Baffle for Evaporator Fan Motor for SG1.9L3-HC	61
AA818	Right Shelf for SG1.9L3-HC	19	AA362	LED Light Switch for SG1.9L3-HC	41	AA710	Evaporator Fan Motor Cover for SG1.9L3-HC	62
AA743	4" Caster without Brake for SG1.9L3-HC	20	AA722	LED Light for SG1.9L3-HC	42			
AA819	Back Grill for SG1.9L3-HC	21	AA836	Light Box Frame for SG1.9L3-HC	43			



# Parts Breakdown

Model FR-CN-0012-HC 50029



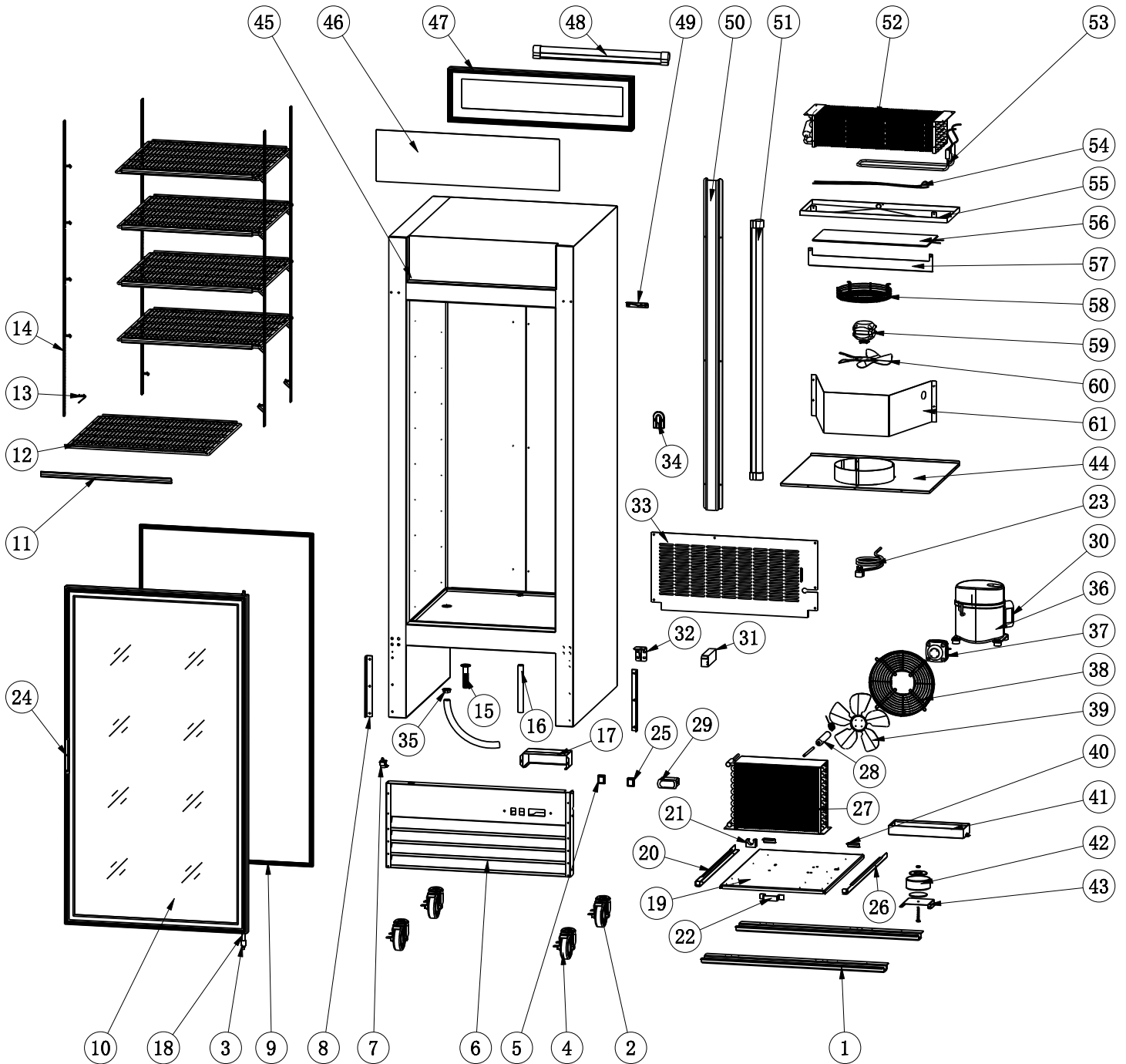
# Parts Breakdown

## Model FR-CN-0012-HC 50029

Item No.	Description	Position	Item No.	Description	Position	Item No.	Description	Position
AA848	Gasket for D368BMF-HC	1	AA857	Upper Hinge for D368BMF-HC	23	64174	Compressor for D368BMF-HC	44
AA807	Right Bottom Hinge for D368BMF-HC	2	AA858	Installation Board Handle for D368BMF-HC	24	AA705	Condenser Fan Motor for D368BMF-HC	45
AA810	Bottom Hinge Axis for D368BMF-HC	3	AA385	K Clip for D368BMF-HC	25	AA208	Condenser Fan Blade for D368BMF-HC	46
AA715	Axis Cover for D368BMF-HC	4	AA859	K Strip for D368BMF-HC	26	AA875	Condenser Fan Motor Cover for D368BMF-HC	47
AA849	Glass Door for D368BMF-HC	5	AA860	Light Box Plate for D368BMF-HC	27	AA709	Condenser for D368BMF-HC	48
AA850	Water Proof Cover for D368BMF-HC	6	AA861	Light Box Frame for D368BMF-HC	28	AA876	Compressor Installation Board for D368BMF-HC	49
AA851	Front Grill for D368BMF-HC	7	AA862	Cabinet LED for D368BMF-HC	29	AA877	Right Track for Installation Board for D368BMF-HC	50
AA852	Back Grill for D368BMF-HC	8	AA863	Fixer for Probe for D368BMF-HC	30	AA878	Castor Installation Plate for D368BMF-HC	51
AA743	4" Castor without Brake for D368BMF-HC	9	AA864	Drain Pan Heater for D368BMF-HC	31	AA879	Installation Board Block for D368BMF-HC	52
AA584	Castor with Brake for D368BMF-HC	10	AA865	Defrost Heater for D368BMF-HC	32	AA880	Left Track for Installation Board for D368BMF-HC	53
AA853	Shelf for D368BMF-HC	11	AA866	Evaporator Drain Pan for D368BMF-HC	33	AA881	Compressor Component for D368BMF-HC	54
AA124	Power Switch for D368BMF-HC	12	AA867	Drain Hose Heater for D368BMF-HC	34	AA711	LED Power Supply for D368BMF-HC	55
AA324	Thermostat for D368BMF-HC	13	AA868	Left Bracket for Evaporator Cover for D368BMF-HC	35	AA882	Installation Board for Transformer for D368BMF-HC	56
AA854	Shelf Tag for D368BMF-HC	14	AA710	Evaporator Fan Motor Cover for D368BMF-HC	36	AA883	Transformer for Door Heater for D368BMF-HC	57
AA844	Door Switch for D368BMF-HC	15	AA869	Evaporator Cover for D368BMF-HC	37	AA129	Filter Fixer for D368BMF-HC	58
AA686	Plastic Drain Pipe with Fixer for D368BMF-HC	16	AA870	Left End Plate for Evaporator for D368BMF-HC	38	AA130	Filter for D368BMF-HC	59
AA687	Drain Pipe Cover for D368BMF-HC	17	AA128	Evaporator Fan Motor for D368BMF-HC	39	AA884	Air Pipe Protection Board for D368BMF-HC	60
AA362	LED Light Switch for D368BMF-HC	18	AA871	Evaporator for D368BMF-HC	40	AA885	LED Light for D368BMF-HC	61
AA855	Cabinet for D368BMF-HC	19	AA872	Right End Plate for Evaporator for D368BMF-HC	41	AA695	Glass Door Handle for D368BMF-HC	62
AA216	Drain Tube for D368BMF-HC	20, 21	AA873	Right Bracket for Evaporator Cover for D368BMF-HC	42			
AA856	Power Cord for D368BMF-HC	22	AA874	Outer Drain Pan for D368BMF-HC	43			

# Parts Breakdown

Model FR-CN-0790-HC 50030



# Parts Breakdown

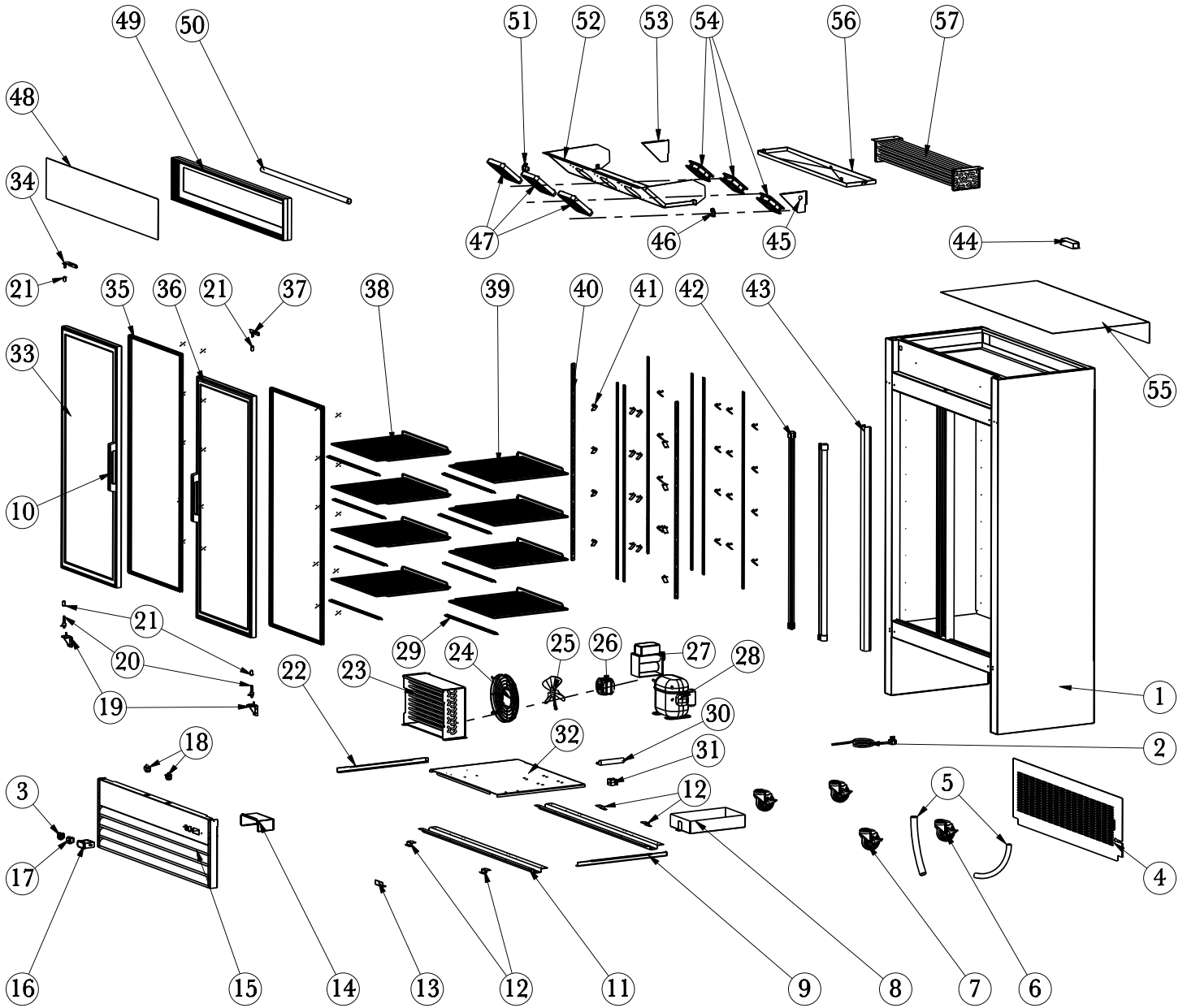
## Model FR-CN-0790-HC 50030

Item No.	Description	Position	Item No.	Description	Position	Item No.	Description	Position
AA886	Castor Installation Board for D648BMF-HC	1	AA894	Handle for Installation Board for D648BMF-HC	22	AA883	Transformer for Door Heater for D648BMF-HC	42
AA743	4" Castor without Brake for D648BMF-HC	2	AA856	Power Cord for D648BMF-HC	23	AA902	Transformer Installation Board for D648BMF-HC	43
AA810	Bottom Hinge Axis for D648BMF-HC	3	AA695	Glass Door Handle for D648BMF-HC	24	AA903	Evaporator Cover for D648BMF-HC	44
AA584	Castor with Brake for D648BMF-HC	4	AA124	Power Switch for D648BMF-HC	25	AA904	Cabinet for D648BMF-HC	45
AA362	LED Light Switch for D648BMF-HC	5	AA895	Right Track for Installation Board for D648BMF-HC	26	AA905	Light Box Plate for D648BMF-HC	46
AA887	Front Grill for D648BMF-HC	6	AA896	Condenser for D648BMF-HC	27	AA906	Light Box Frame for D648BMF-HC	47
AA844	Door Switch for D648BMF-HC	7	AA130	Filter for D648BMF-HC	28	AA721	LED in Light Box for D648BMF-HC	48
AA888	Fixed Strip for Front Grill for D648BMF-HC	8	AA324	Thermostat for D648BMF-HC	29	AA857	Upper Hinge for D648BMF-HC	49
AA843	Gasket for D648BMF-HC	9	AA897	Compressor Component for D648BMF-HC	30	AA907	Air Pipe Protection Board for D648BMF-HC	50
AA889	Glass Door for D648BMF-HC	10	AA711	LED Power Supply for D648BMF-HC	31	AA722	LED Light for D648BMF-HC	51
AA748	Shelf Tag for D648BMF-HC	11	AA807	Right Bottom Hinge for D648BMF-HC	32	AA908	Evaporator for D648BMF-HC	52
AA747	Shelf for D648BMF-HC	12	AA898	Back Grill for D648BMF-HC	33	AA909	Defrost Heater for D648BMF-HC	53
AA385	K Clip for D648BMF-HC	13	AA863	Fixer for Probe for D648BMF-HC	34	AA867	Drain Hose Heater for D648BMF-HC	54
AA890	K Strip for D648BMF-HC	14	AA687	Drain Pipe Cover for D648BMF-HC	35	AA910	Evaporator Drain Pan for D648BMF-HC	55
AA216	Drain Pipe for D648BMF-HC	15, 16	64174	Compressor for D648BMF-HC	36	AA911	Drain Pan Heater for D648BMF-HC	56
AA891	Water Proof Cover for D648BMF-HC	17	AA813	Condenser Fan Motor for D648BMF-HC	37	AA912	Evaporator Baffle for D648BMF-HC	57
AA715	Axis Cover for D648BMF-HC	18	AA899	Condenser Fan Motor Cover for D648BMF-HC	38	AA710	Evaporator Fan Motor Cover for D648BMF-HC	58
AA892	Compressor Installation Board for D648BMF-HC	19	AA814	Condenser Fan Motor Blade for D648BMF-HC	39	AA913	Evaporator Fan Motor for D648BMF-HC	59
AA893	Left Track for Installation Board for D648BMF-HC	20	AA900	Installation Board Limited Block for D648BMF-HC	40	AA248	Evaporator Fan Blade for D648BMF-HC	60
AA129	Filter Fixer for D648BMF-HC	21	AA901	Outer Drain Pan for D648BMF-HC	41	AA914	Fan Motor Air Baffle for D648BMF-HC	61

# Parts Breakdown

**Model FR-CN-1250-HC** 50031

**Model FR-CN-1250-C** 38025



# Parts Breakdown

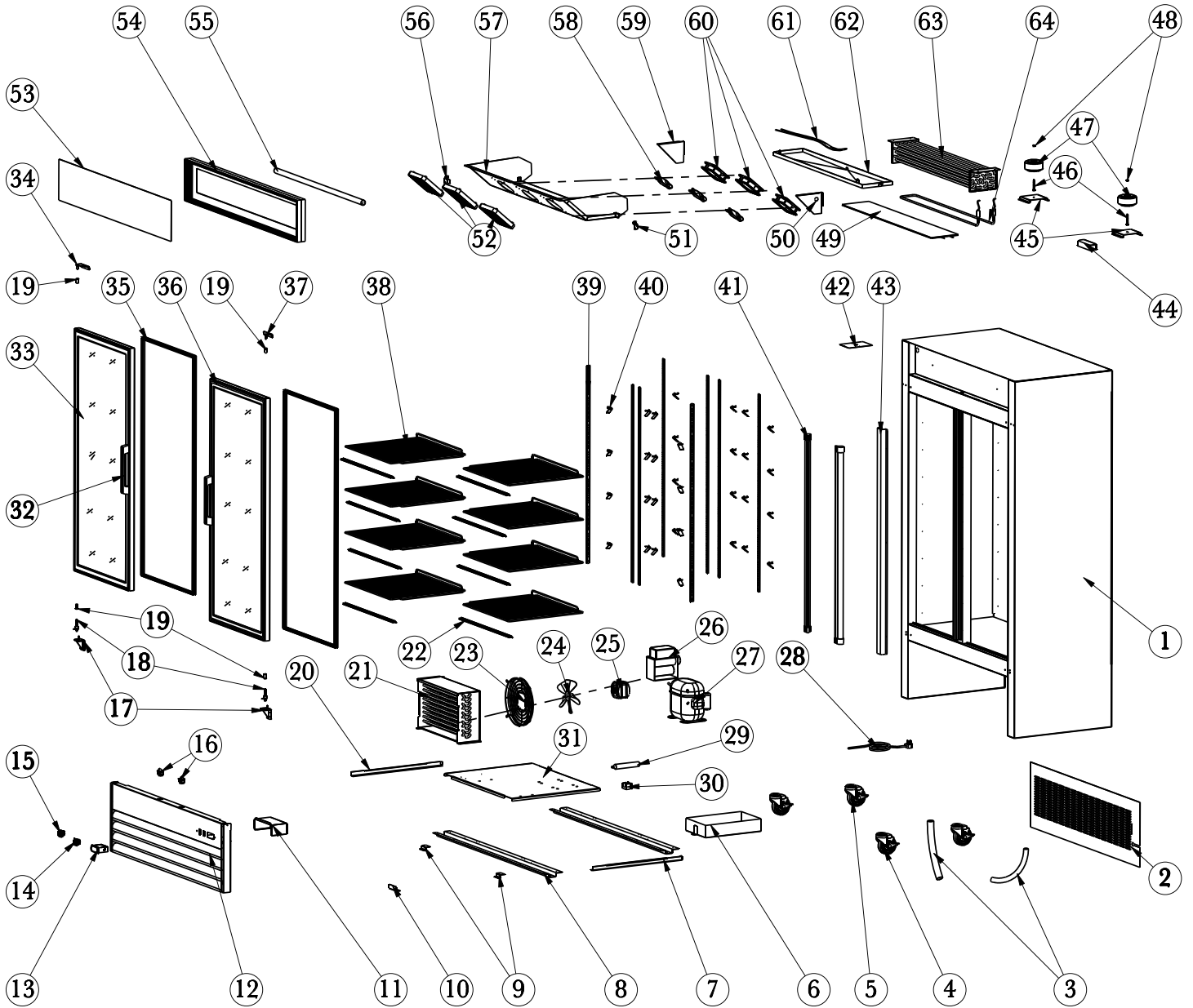
**Model FR-CN-1250-HC 50031**

**Model FR-CN-1250-C 38025**

Item No.	Description	Position	Item No.	Description	Position	Item No.	Description	Position
AB968	Cabinet for D768BM2F-HC	1	AA810	Bottom Hinge Axis for D768BM2F-HC	20	AB985	Right Shelf for D768BM2F-HC	39
AA805	Power Cord for D768BM2F-HC	2	AA715	Axis Cover for D768BM2F-HC	21	AB957	K Strip for D768BM2F-HC	40
AA124	Power Switch for D768BM2F-HC	3	AB978	Left Rail for Installation Board for D768BM2F-HC	22	AA385	K Clip for D768BM2F-HC	41
AB969	Back Grill for D768BM2F-HC	4	AA300	Condenser for D768BM2F-HC	23	AA722	LED Light for D768BM2F-HC	42
AA216	Drain Tube for D768BM2F-HC	5	AA249	Condenser Fan Motor Cover for D768BM2F-HC	24	AB986	Air Pipe Protection Board for D768BM2F-HC	43
AA743	4" Castor without Brake for D768BM2F-HC	6	AA814	Condenser Fan Motor Blade for D768BM2F-HC	25	AA787	LED Power Supply for D768BM2F-HC	44
AA584	Castor with Brake for D768BM2F-HC	7	AB656	Condenser Fan Motor for D768BM2F-HC	26	AB987	Right End Plate for Evaporator for D768BM2F-HC	45
AB970	Outer Drain Pan for D768BM2F-HC	8	AB979	Compressor Component for D768BM2F-HC	27	AB988	Right Bracket for Evaporator Fan Cover for D768BM2F-HC	46
AB971	Right Rail for Installation Board for D768BM2F-HC	9	64168	Compressor for D768BM2F-HC	28	AA710	Evaporator Fan Motor Cover for D768BM2F-HC	47
AA695	Glass Door Handle for D768BM2F-HC	10	AA854	Shelf Tag for D768BM2F-HC	29	AB989	Light Box Plate for D768BM2F-HC	48
AB972	Castor Supporter for D768BM2F-HC	11	AB594	Filter for D768BM2F-HC	30	AB990	Light Box Frame for D768BM2F-HC	49
AB973	Limited Block for Installation Board for D768BM2F-HC	12	AB595	Filter Fixer for D768BM2F-HC	31	AA835	LED Inside Cabinet for D768BM2F-HC	50
AB974	Handle for Installation Board for D768BM2F-HC	13	AB980	Compressor Unit Installation Board for D768BM2F-HC	32	AB991	Left Bracket for Evaporator Fan Cover for D768BM2F-HC	51
AB975	Waterproof Cover of Thermostat for D768BM2F-HC	14	AB981	Left Glass Door for D768BM2F-HC	33	AB992	Evaporator Cover for D768BM2F-HC	52
AB976	Front Grill for D768BM2F-HC	15	AA808	Left Bottom Hinge for D768BM2F-HC	34	AB993	Left End Plate for Evaporator for D768BM2F-HC	53
AA123	Thermostat for D768BM2F-HC	16	AB982	Gasket for D768BM2F-HC	35	AA128	Evaporator Fan Motor for D768BM2F-HC	54
AA362	LED Light Switch for D768BM2F-HC	17	AB983	Right Glass Door for D768BM2F-HC	36	AB994	Top Cover for D768BM2F-HC	55
AB977	Door Switch for D768BM2F-HC	18	AA857	Upper Hinge for D768BM2F-HC	37	AB995	Inner Drain Pan for D768BM2F-HC	56
AA807	Right Bottom Hinge for D768BM2F-HC	19	AB984	Left Shelf for D768BM2F-HC	38	AB996	Evaporator for D768BM2F-HC	57

# Parts Breakdown

Model FR-CN-0045-HC 50075



# Parts Breakdown

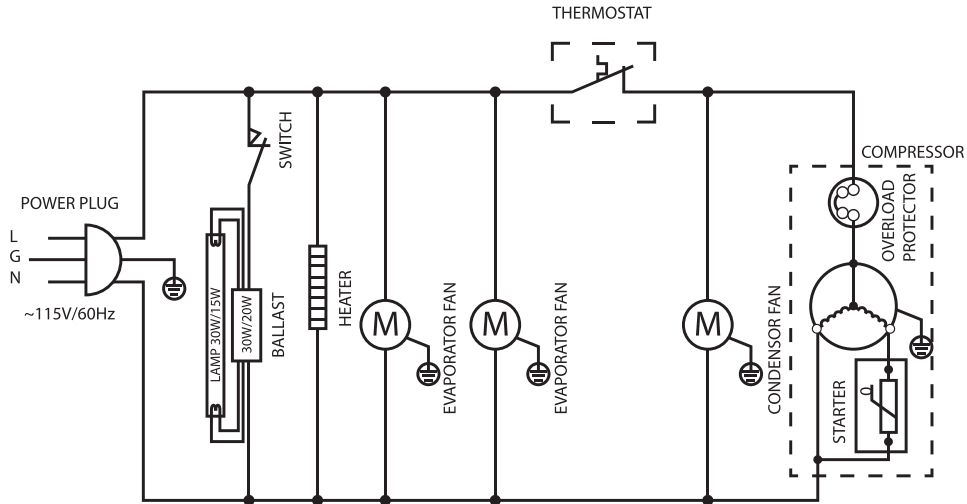
## Model FR-CN-0045-HC 50075

Item No.	Description	Position	Item No.	Description	Position	Item No.	Description	Position
AA915	Cabinet for D1.2BM2F-HC	1	AA925	Condenser Fan Motor Cover for D1.2BM2F-HC	23	AA935	Transformer Fixture for D1.2BM2F-HC	45
AA916	Back Grill for D1.2BM2F-HC	2	AA248	Condenser Fan Blade for D1.2BM2F-HC	24	AA936	Bolt for D1.2BM2F-HC	46
AA216	Drain Tube for D1.2BM2F-HC	3	AA813	Condenser Fan Motor for D1.2BM2F-HC	25	AA937	Glass Door Transformer for D1.2BM2F-HC	47
AA743	4" Castor without Brake for D1.2BM2F-HC	4	AA926	Compressor Component for D1.2BM2F-HC	26	AA938	Nut for D1.2BM2F-HC	48
AA584	Castor with Brake for D1.2BM2F-HC	5	64128	Compressor for D1.2BM2F-HC	27	AA939	Drain Pan Heater for D1.2BM2F-HC	49
AA917	Outer Drain Pan for D1.2BM2F-HC	6	AA927	Power Cord for D1.2BM2F-HC	28	AA940	Right End Plate for Evaporator for D1.2BM2F-HC	50
AA918	Right Track for Installation Board for D1.2BM2F-HC	7	AA371	Filter for D1.2BM2F-HC	29	AA941	Right Bracket for Evaporator Cover for D1.2BM2F-HC	51
AA919	Castor Installation Board for D1.2BM2F-HC	8	AA129	Filter Fixer for D1.2BM2F-HC	30	AA710	Evaporator Fan Motor Cover for D1.2BM2F-HC	52
AA920	Installation Board Block for D1.2BM2F-HC	9	AA928	Compressor Installation Board for D1.2BM2F-HC	31	AA942	Light Box Plate for D1.2BM2F-HC	53
AA921	Installation Board Handle for D1.2BM2F-HC	10	AA695	Glass Door Handle for D1.2BM2F-HC	32	AA943	Light Box Frame for D1.2BM2F-HC	54
AA922	Water Proof Cover for D1.2BM2F-HC	11	AA929	Left Glass Door for D1.2BM2F-HC	33	AA782	LED Light in Light Box for D1.2BM2F-HC	55
AA923	Front Grill for D1.2BM2F-HC	12	AA808	Left Bottom Hinge for D1.2BM2F-HC	34	AA944	Left Bracket for Evaporator Cover for D1.2BM2F-HC	56
AA324	Thermostat for D1.2BM2F-HC	13	AA843	Gasket for D1.2BM2F-HC	35	AA945	Evaporator Cover for D1.2BM2F-HC	57
AA362	LED Light Switch for D1.2BM2F-HC	14	AA930	Right Glass Door for D1.2BM2F-HC	36	61219	Evaporator Fan Blade for D1.2BM2F-HC	58
AA124	Power Switch for D1.2BM2F-HC	15	AA857	Upper Hinge for D1.2BM2F-HC	37	AA946	Left End Plate for Evaporator for D1.2BM2F-HC	59
AA844	Door Switch for D1.2BM2F-HC	16	AA931	Shelf for D1.2BM2F-HC	38	68809	Evaporator Fan Motor for D1.2BM2F-HC	60
AA807	Right Bottom Hinge for D1.2BM2F-HC	17	AA932	K Strip for D1.2BM2F-HC	39	AA867	Drain Hose Heater for D1.2BM2F-HC	61
AA810	Bottom Hinge Axis for D1.2BM2F-HC	18	AA385	K Clip for D1.2BM2F-HC	40	AA947	Evaporator Drain Pan for D1.2BM2F-HC	62
AA715	Axis Cover for D1.2BM2F-HC	19	AA722	LED Light for D1.2BM2F-HC	41	AA948	Evaporator for D1.2BM2F-HC	63
AA924	Left Track for Installation Board for D1.2BM2F-HC	20	AA933	Power Cord Cover for D1.2BM2F-HC	42	AA949	Defrost Heater for D1.2BM2F-HC	64
AA250	Condenser for D1.2BM2F-HC	21	AA934	Air Pipe Protection Board for D1.2BM2F-HC	43			
AA854	Shelf Tag for D1.2BM2F-HC	22	AA787	LED Power Supply for D1.2BM2F-HC	44			

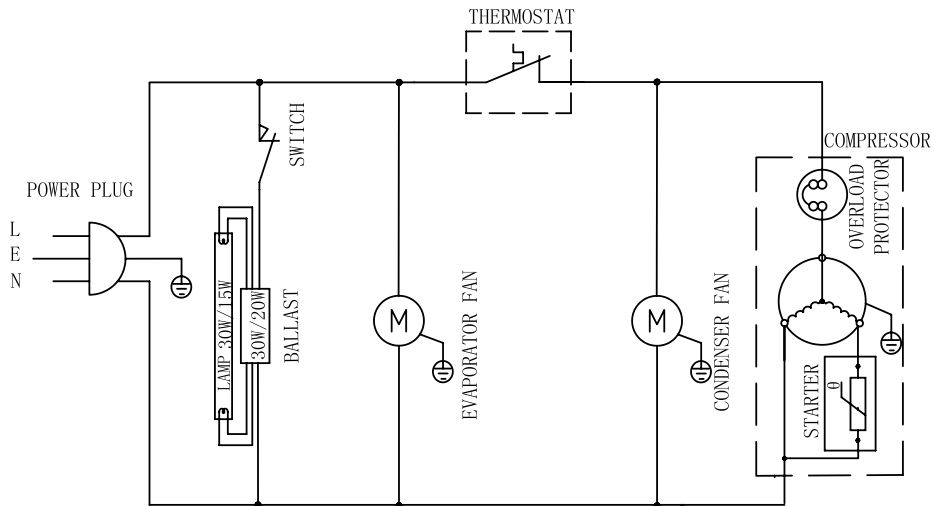


# Electrical Schematics

**Model RE-CN-0045-HC 50032**

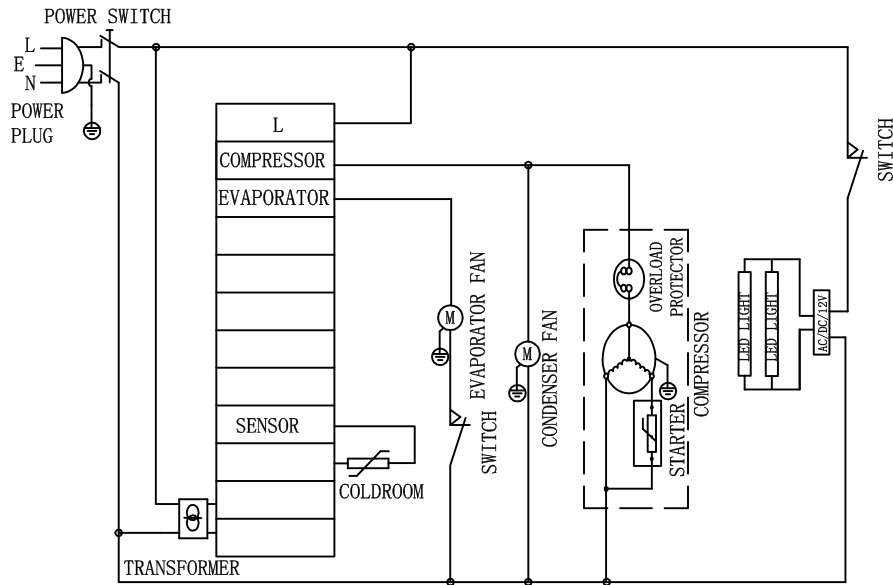


**Model RE-CN-0009-HC 50033**



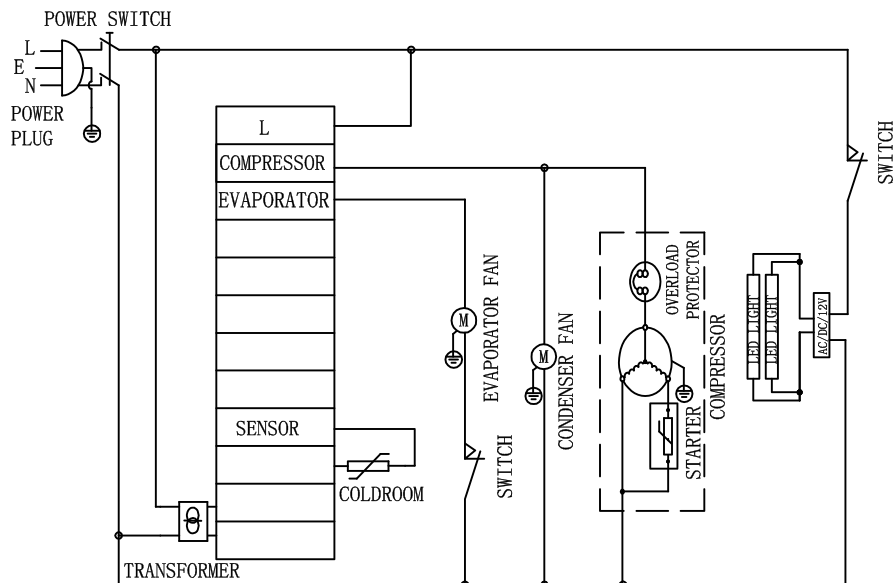
# Electrical Schematics

## Model RE-CN-0014-H 50035



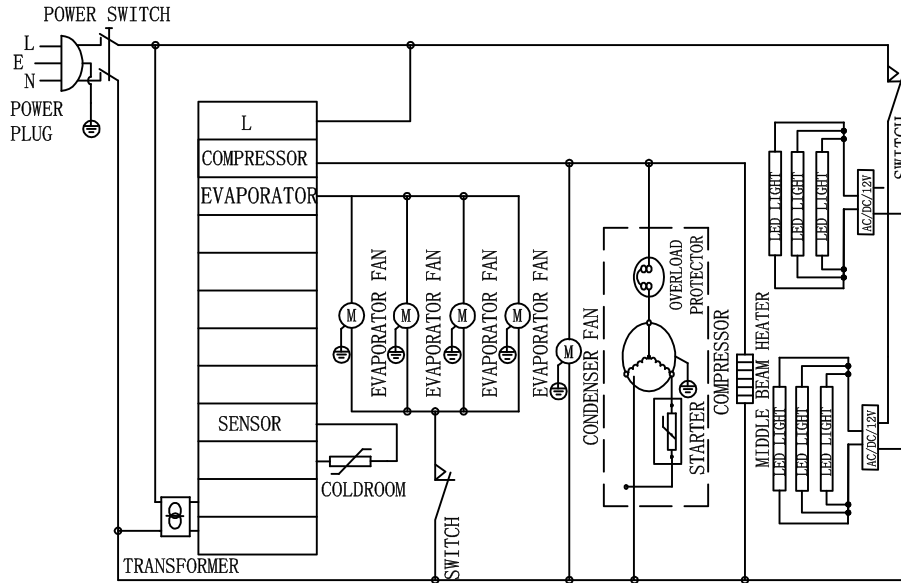
## Model RE-CN-0023-HC 50036

## Model RE-CN-0023-H 50037

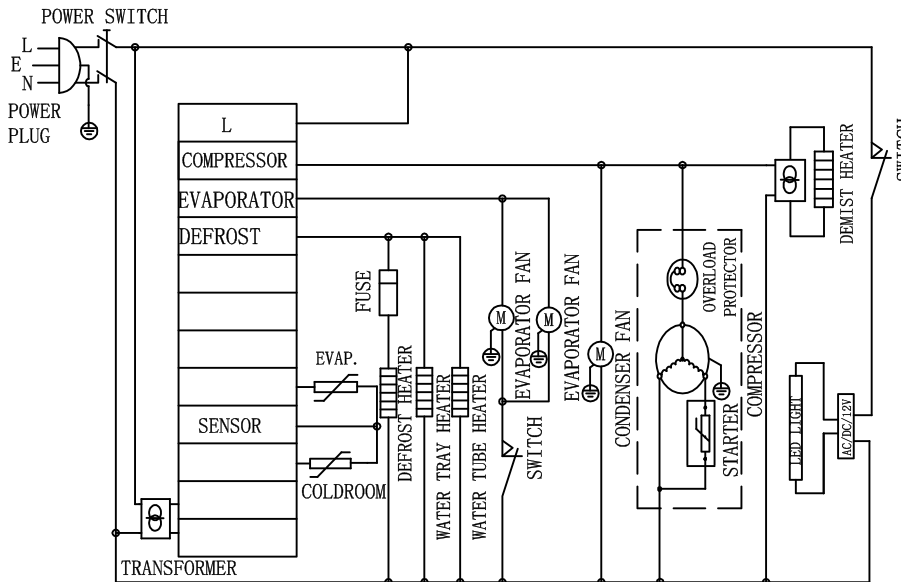


# Electrical Schematics

## Model RE-CN-0052-HC 50052

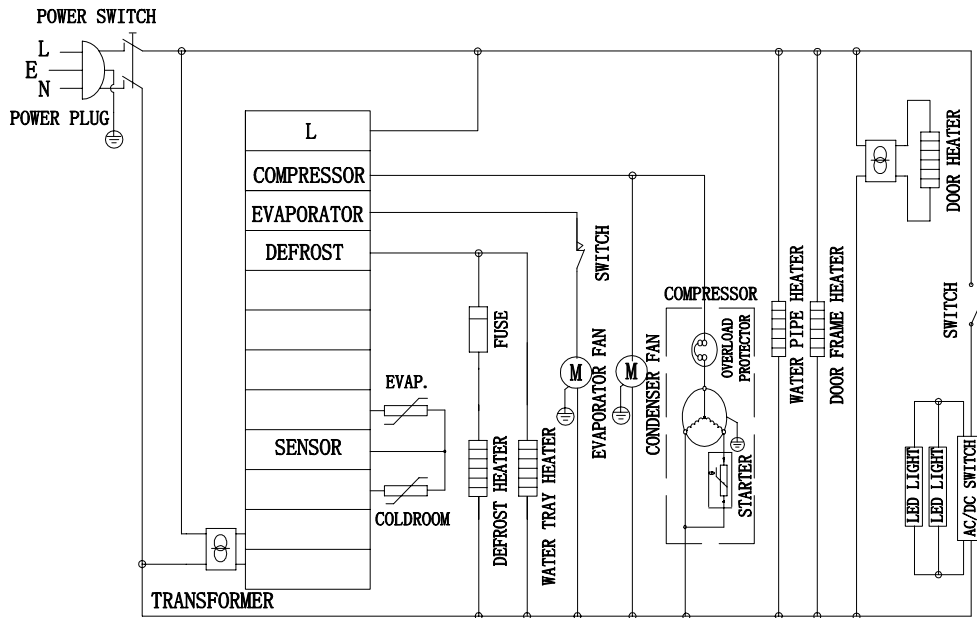


## Model FR-CN-0012-HC 50029

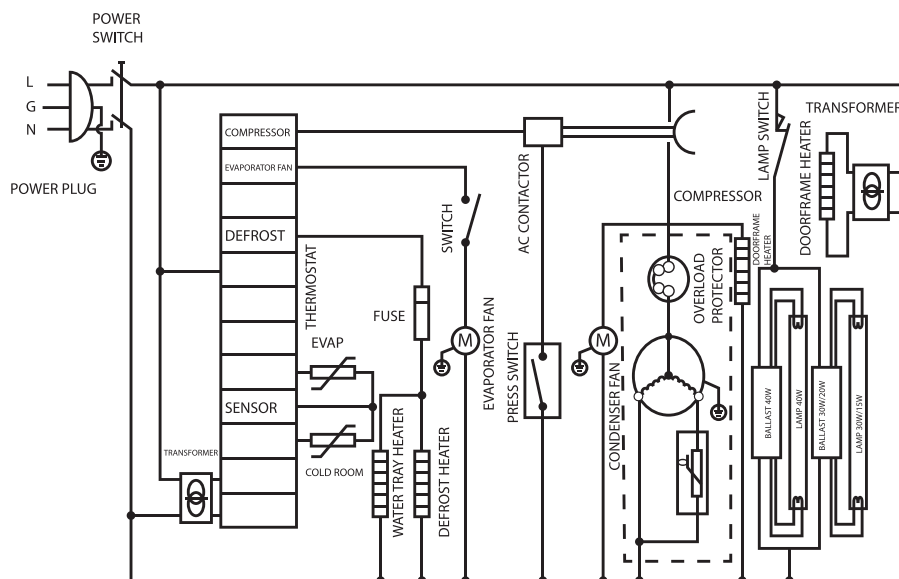


# Electrical Schematics

## Model FR-CN-0790-HC 50030

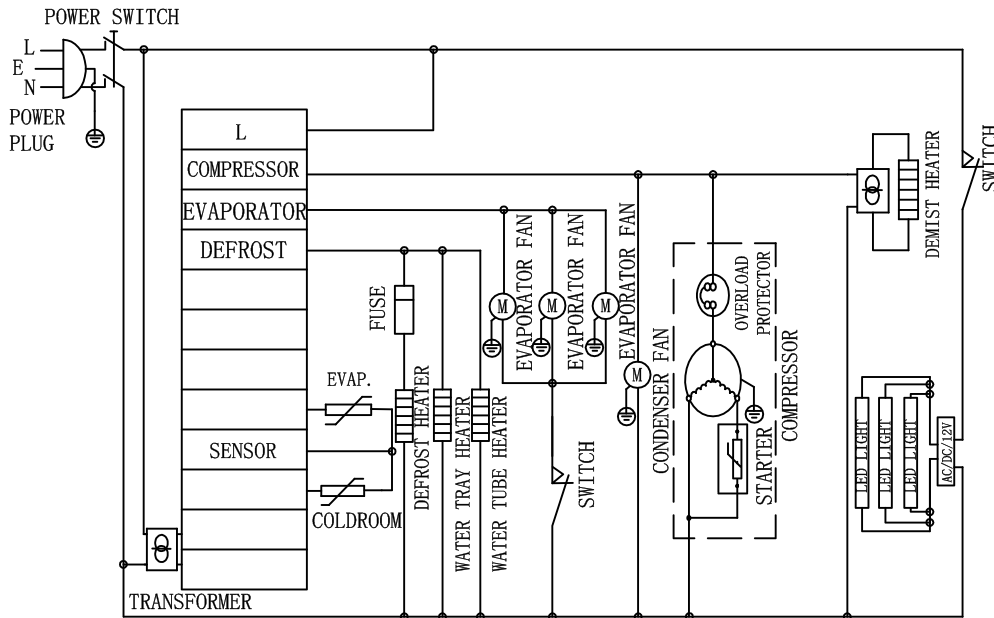


## Model FR-CN-1250-HC 50031

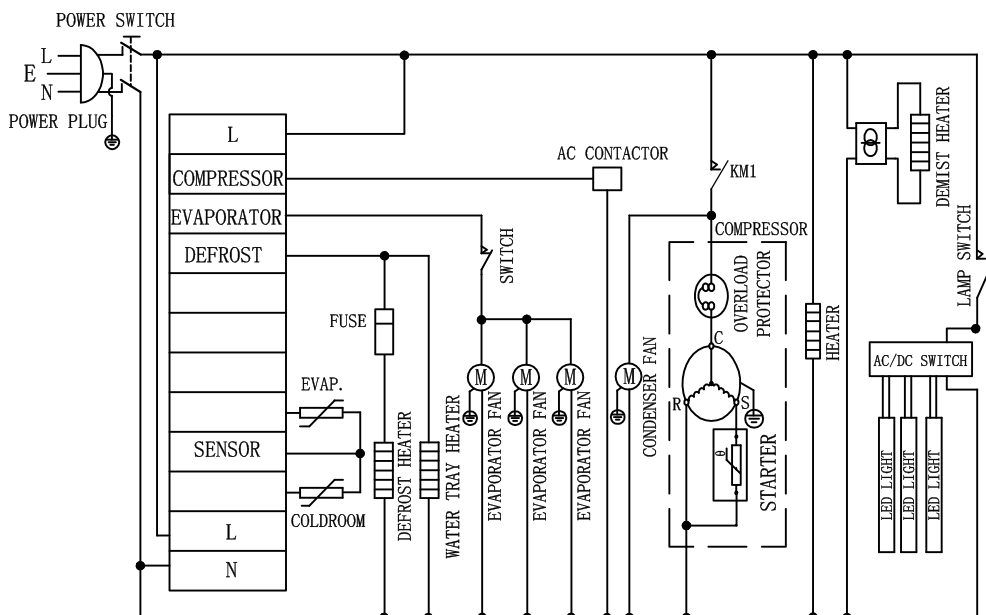


# Electrical Schematics

## Model FR-CN-1250-C 38025



## Model FR-CN-0045-HC 50075







# Warranty Registration

Thank you for purchasing an Omcan product. To register your warranty for this product, complete the information below, tear off the card at the perforation and then send to the address specified below. You can also register online by visiting:

Merci d'avoir acheté un produit Omcan. Pour enregistrer votre garantie pour ce produit, complétez les informations ci-dessous, détachez la carte au niveau de la perforation, puis l'envoyer à l'adresse spécifiée ci-dessous. Vous pouvez également vous inscrire en ligne en visitant:

Gracias por comprar un producto Omcan usted. Para registrar su garantía para este producto, complete la información a continuación, cortar la tarjeta en la perforación y luego enviarlo a la dirección indicada a continuación. También puede registrarse en línea en:

<https://omcan.com/warranty-registration/>

For mailing in Canada

Pour postale au Canada

Por correo en Canadá

**OMCAN**

PRODUCT WARRANTY REGISTRATION

3115 Pepper Mill Court,

Mississauga, Ontario

Canada, L5L 4X5

For mailing in the US

Pour diffusion aux États-Unis

Por correo en los EE.UU.

**OMCAN**

PRODUCT WARRANTY REGISTRATION

4450 Witmer Industrial Estates, Unit 4,

Niagara Falls, New York

USA, 14305

*or email to: [service@omcan.com](mailto:service@omcan.com)*



Purchaser's Information

Name: \_\_\_\_\_

Address: \_\_\_\_\_

City: \_\_\_\_\_ Province or State: \_\_\_\_\_ Postal or Zip: \_\_\_\_\_

Country: \_\_\_\_\_

Dealer from which Purchased: \_\_\_\_\_

Dealer City: \_\_\_\_\_ Dealer Province or State: \_\_\_\_\_

Invoice: \_\_\_\_\_

Model Name: \_\_\_\_\_ Model Number: \_\_\_\_\_

Machine Description: \_\_\_\_\_

Date of Purchase (MM/DD/YYYY): \_\_\_\_\_

Would you like to extend the warranty?  Yes  No

Company Name: \_\_\_\_\_

Telephone: \_\_\_\_\_

Email Address: \_\_\_\_\_

Type of Company:

Restaurant  Bakery  Deli

Butcher  Supermarket  Caterer

Institution (*specify*): \_\_\_\_\_

Other (*specify*): \_\_\_\_\_

Serial Number: \_\_\_\_\_

Date of Installation (MM/DD/YYYY): \_\_\_\_\_

**Thank you for choosing Omcan | Merci d'avoir choisi Omcan | Gracias por elegir Omcan**



Since 1951 Omcan has grown to become a leading distributor of equipment and supplies to the North American food service industry. Our success over these many years can be attributed to our commitment to strengthen and develop new and existing relationships with our valued customers and manufacturers. Today with partners in North America, Europe, Asia and South America, we continually work to improve and grow the company. We strive to offer customers exceptional value through our qualified local sales and service representatives who provide convenient access to over 5,000 globally sourced products.

---

Depuis 1951 Omcan a grandi pour devenir un des “leaders” de la distribution des équipements et matériel pour l’industrie des services alimentaires en Amérique du Nord. Notre succès au cours de ces nombreuses années peut être attribué à notre engagement à renforcer et à développer de nouvelles et existantes relations avec nos clients et les fabricants de valeur. Aujourd’hui avec des partenaires en Amérique du Nord, Europe, Asie et Amérique du Sud, nous travaillons continuellement à améliorer et développer l’entreprise. Nous nous efforçons d’offrir à nos clients une valeur exceptionnelle grâce à nos ventes locales qualifiées et des représentants de service qui offrent un accès facile à plus de 5000 produits provenant du monde entier.

---

Desde 1951 Omcan ha crecido hasta convertirse en un líder en la distribución de equipos y suministros de alimentos en América del Norte industria de servicios. Nuestro éxito en estos años se puede atribuir a nuestro compromiso de fortalecer y desarrollar nuevas relaciones existentes con nuestros valiosos clientes y fabricantes. Hoy con socios de América del Norte, Europa, Asia y América del Sur, que trabajan continuamente para mejorar y crecer la empresa. Nos esforzamos por ofrecer a nuestros clientes valor excepcional a través de nuestro local de ventas y representantes de los servicios que proporcionan un fácil acceso a más de 5,000 productos con origen a nivel mundial.

