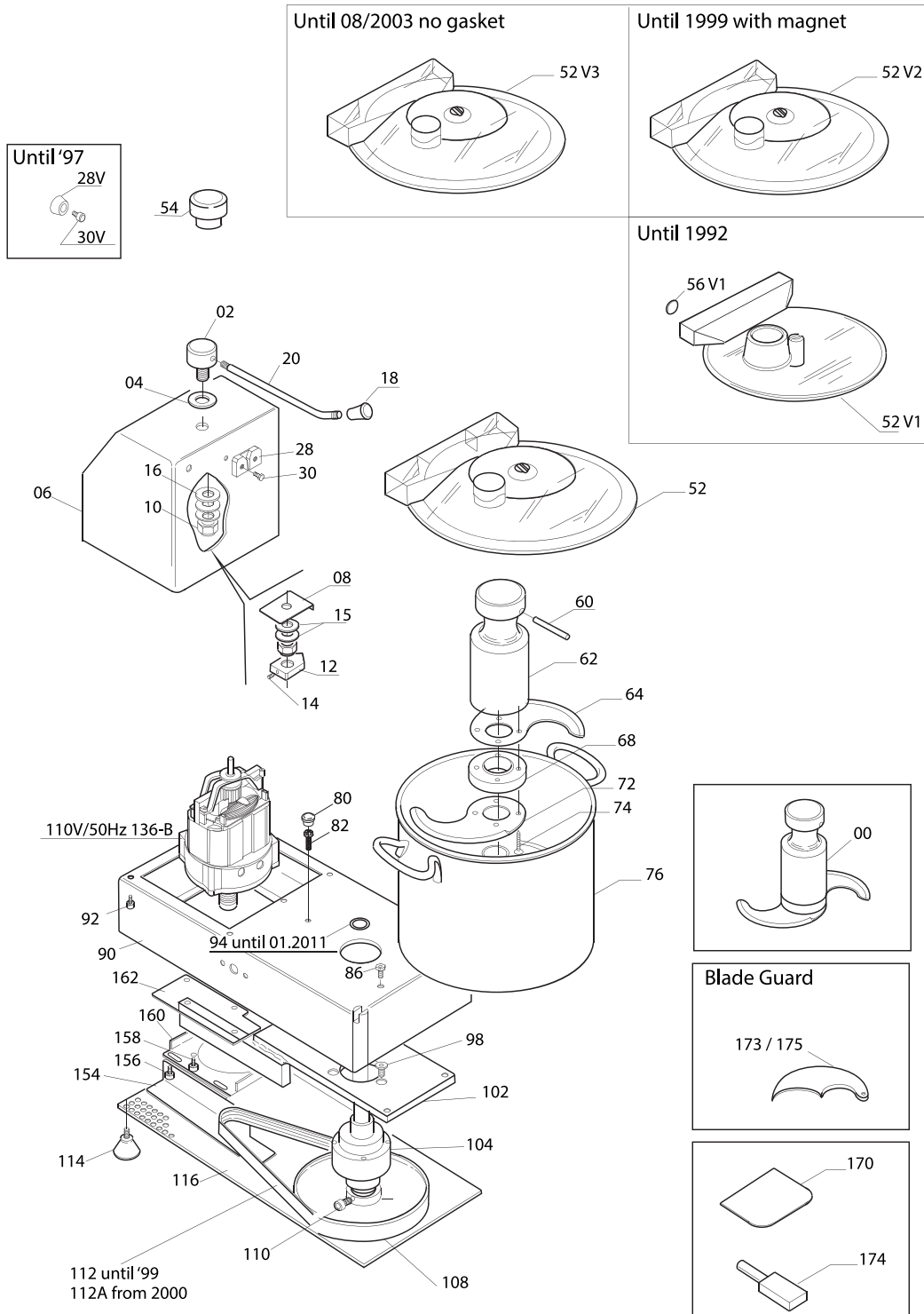


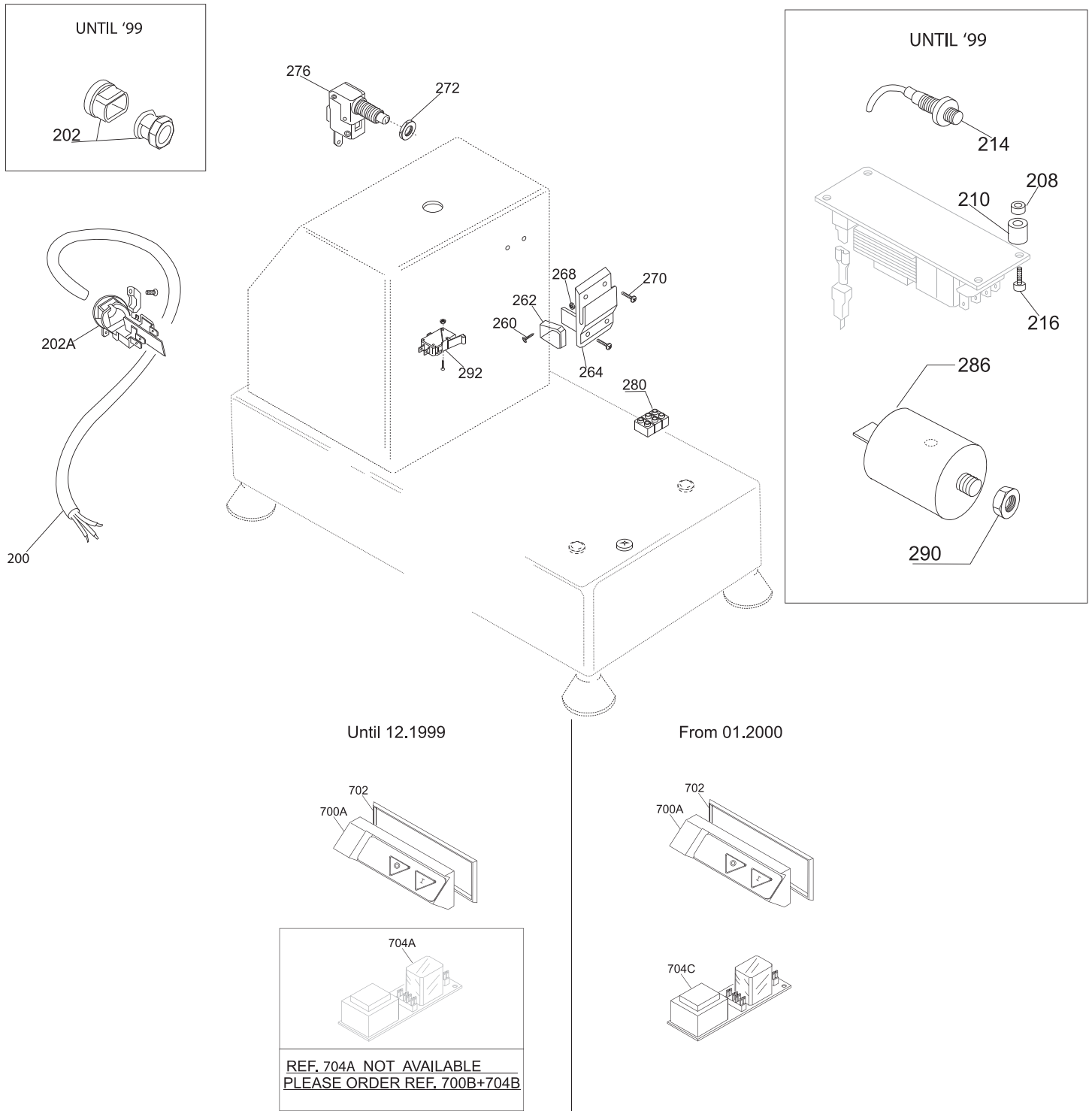
Parts Breakdown

Model **FP-IT-0005-E** 10833



Parts Breakdown

Model **FP-IT-0005-E** 10833



Parts Breakdown

Model FP-IT-0005-E 10833

Item No.	Description	Position	Item No.	Description	Position	Item No.	Description	Position
60285	Shaft with Regular Knives for 10833	00	60290	Upper Knife for Kneading for 10833	64P	37165	Motor Holder for 10833	160
37147	Rod Holder Pin for 10833	02	60288	Upper Knife for Pesto for 10833	64V	60296	Bowl Scraper Red Color for 10833	170
37148	Clutch Washer for 10833	04	60291	Serrated Upper Knife for 10833	64Z	31308	Upper Blade Guard Red for 10833	173
37170	Frame Head for 10833	06	37173	Knife Spacer for 10833	68	60297	Sharpening Stone for 10833	174
37150	Clutch Base for 10833	08	37182	Knife Spacer Pesto for 10833	68P	31309	Bottom Blade Guard Red for 10833	175
37151	Clutch Nut for 10833	10	19349	Lower Knife for 10833	72	37234	Supply Cord Single-Phase for 10833	200
37152	Microswitch Cam for 10833	12	60292	Punched Bottom Knife for 10833	72F	AB997	Strain Relief for 10833	202
61573	Cup Spring 12.2x25x0.7 for 10833	15	60293	Serrated Lower Knife for 10833	72Z	37180	Strain Relief from 1999 for 10833	202A
37153	Arm Knob for 10833	18	AC003	Screw Holder for 10833	74	AB998	Screw TC + DIN 7985 M3x16 for 10833	260
37154	Arm for 10833	20	37158	Bowl for 10833	76	19352	Mechanical Microswitch for 10833	262
19347	Bowl Slideway for 10833	28	19350	Gum until 1999 for 10833	80	19353	Microswitch Holder for 10833	264
60298	Bowl Slideway until 1997 for 10833	28V	AC004	Screw TC + DIN 7985 M5x12 for 10833	82	AB999	Nut ES. DIN 439 M3 Lower for 10833	268
60286	Screw TSP + DIN 965 M4x16 for 10833	30	37160	Frame Body for 10833	90	AC000	Screw TSP + DIN 965 M3x8 for 10833	270
16459	Lid with Gasket from 03 for 10833	52	37167	Aluminum Plate from 1999 for 10833	102A	37205	Mechanical Microswitch for 10833	276+272
18829	Lid until 1999 for 10833	52V2	17198	Aluminum Shaft for 10833	104	37176	Terminal Board for 10833	280
18826	Lid until 08/2003 for 10833	52V3	17199	Shaft Pulley for 10833	108	37177	Noise Filter for 10833	286
24619	Lid Plug for 10833	54	61576	Grub Screw DIN 916 M6x10 NE for 10833	110	37178	Lever Microswitch for 10833	292
37168	Magnet until 1992 for 10833	56V1	17763	Belt 630x6 until 99 for 10833	112	16454	Push-Button Panel Small for 10833	700A
37155	Shaft Rod for 10833	60	17764	Belt from 99 for 10833	112A	AC001	Switch Panel Small Y18 for 10833	700B
37172	Blade Holder for 10833	62	60294	Foot for 10833	114	25200	Gasket for Small Control Panel for 10833	702
37181	Blade Door for 10833	62P	37163	Bottom Safety Grate for 10833	116	AC002	PCB 220MN Y18 for 10833	704B
19348	Upper Knife for 10833	64	60295	Motor 110V 50Hz for 10833	136A	16453	Circuit Board 110/60 from 99 for 10833	704C
60289	Punched Upper Knife for 10833	64F	37164	Bottom Plate for 10833	154			