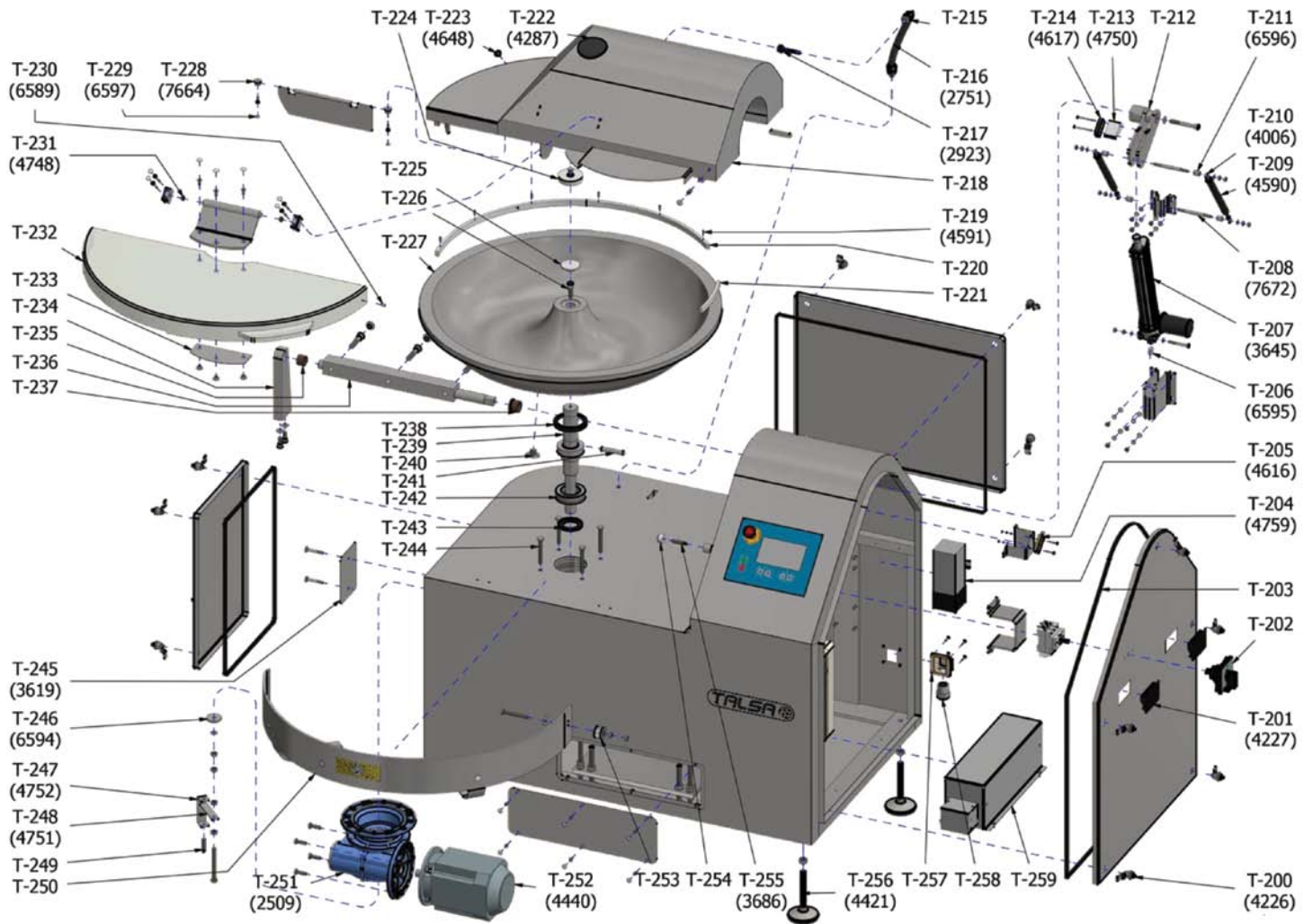


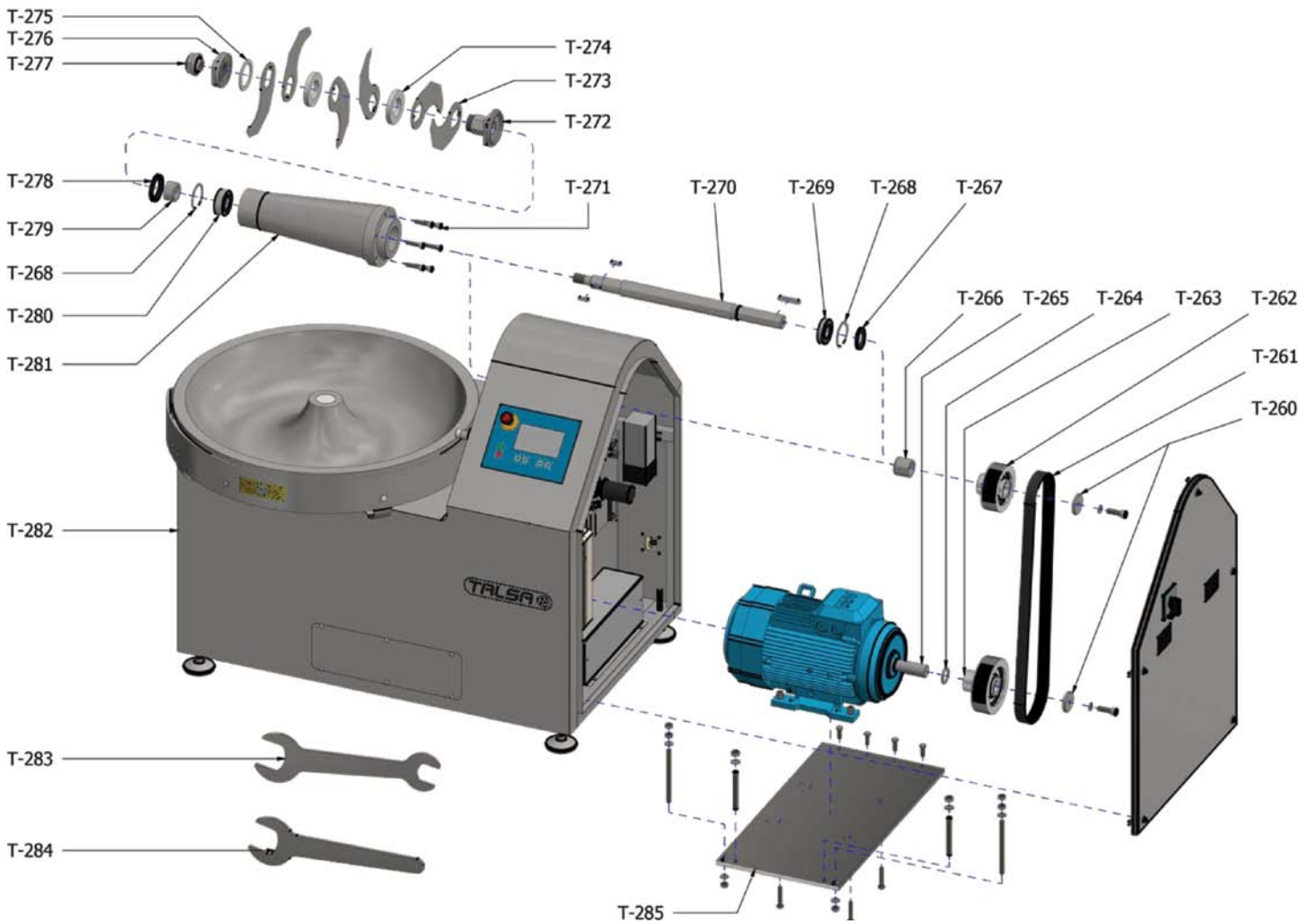
Parts Breakdown

Model FP-ES-0080 10880



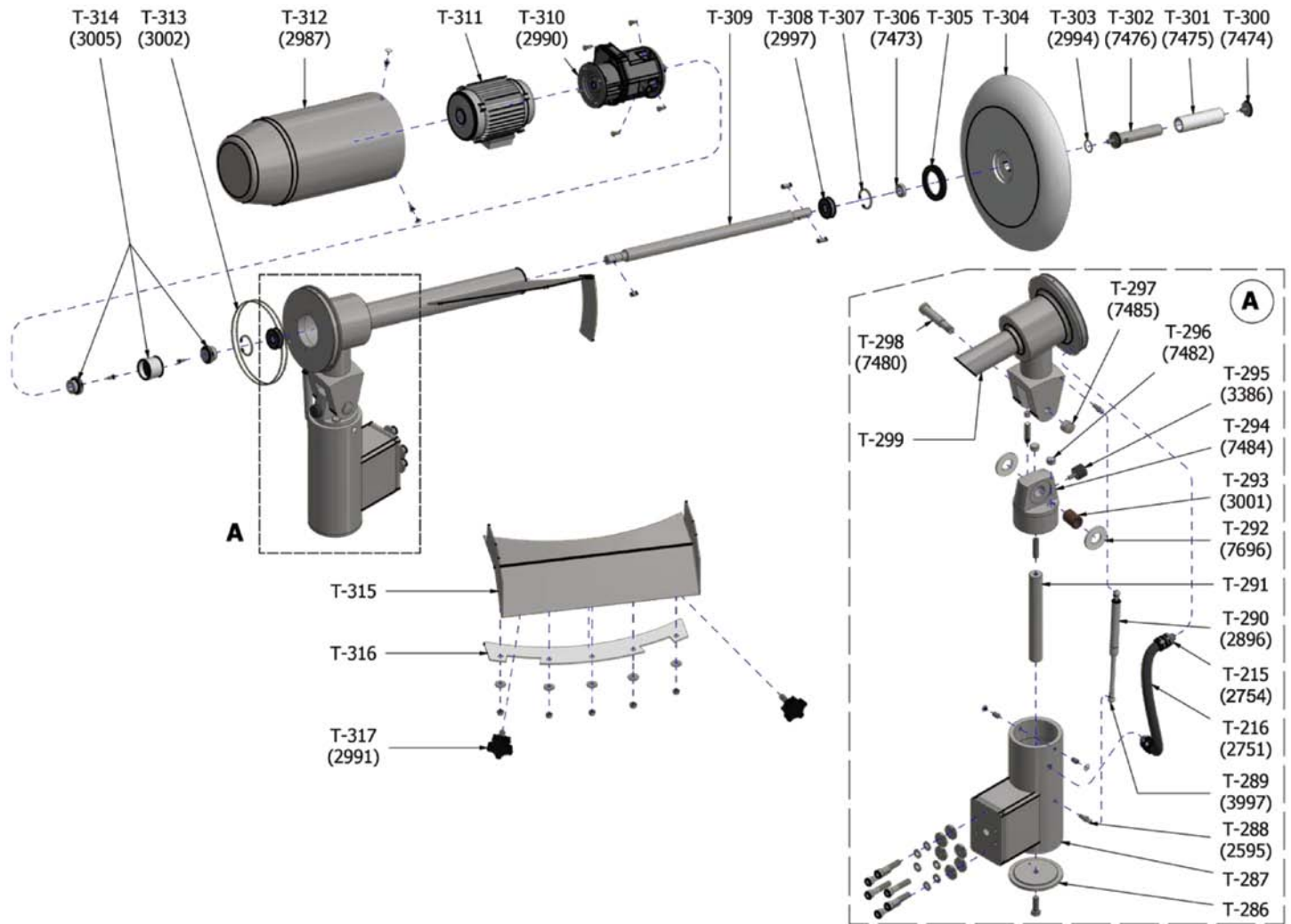
Parts Breakdown

Model FP-ES-0080 10880



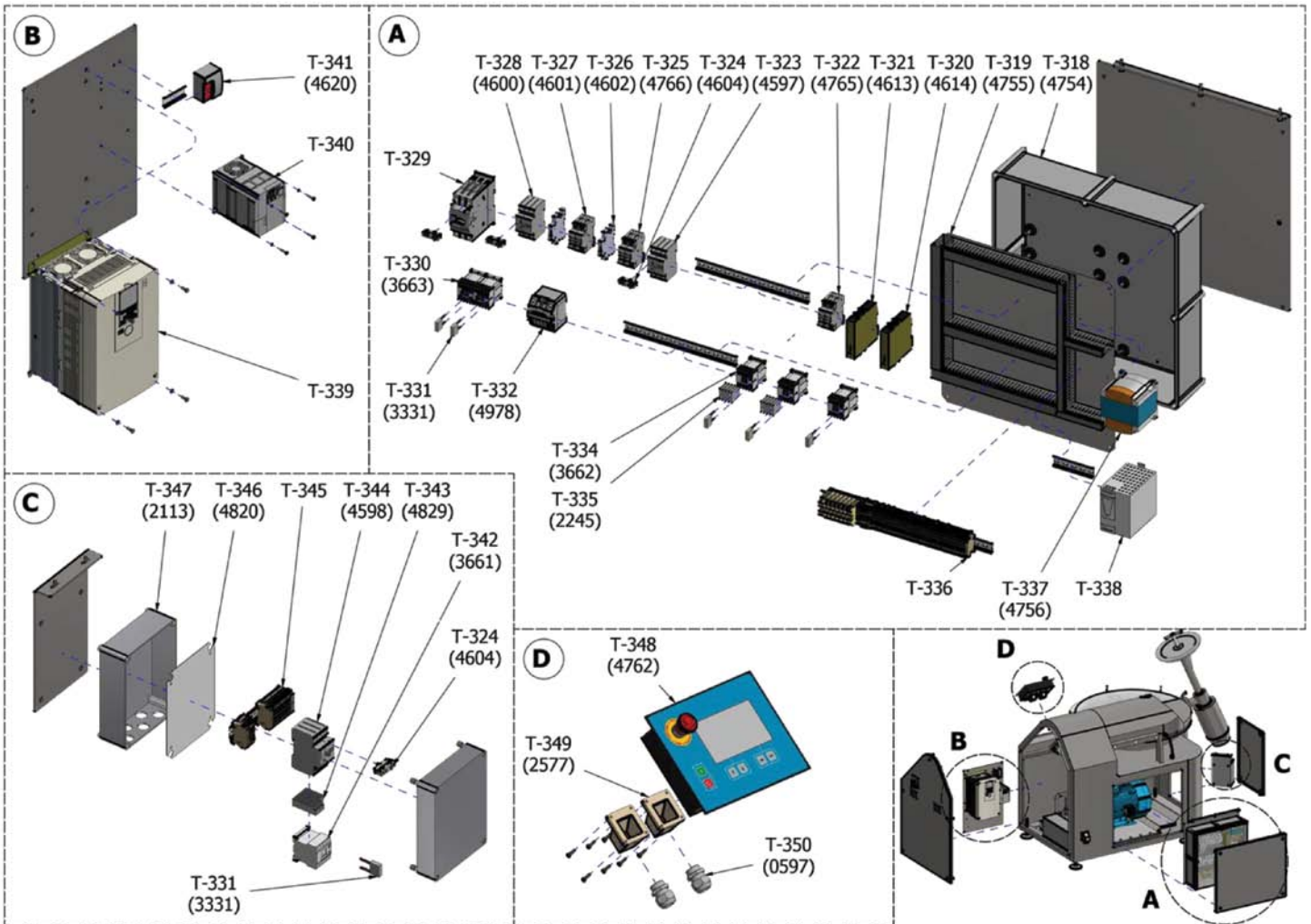
Parts Breakdown

Model FP-ES-0080 10880



Parts Breakdown

Model FP-ES-0080 10880



Parts Breakdown

Model FP-ES-0080 10880

Item No.	Description	Position	Item No.	Description	Position	Item No.	Description	Position
AE209	Rotating Closure, Stainless Steel, Hygienic for 10880	T-200	36361	Allen Screw M14 40 Resistance 8.8 DIN912 Black Metal (Bowl Center) for 10880	T-226	AE240	Bowl Motor, 230/400V-50Hz 1.5KW for 10880	T-252
AE210	Handle for Hatches, Black for 10880	T-201	AE286	Bowl, Cast Stainless Steel for 10880	T-227	36364	Front Bowl Guard Spacer Stainless Steel for 10880	T-253
AE279	Switch, 3-Phase 80A DK400/HS-NOF45-BE-SI for 10880	T-202	36412	Hatch Covers Blades Hold for 10880	T-228	36338	Green Protector Plastic Inductive Detector Cover Plexi for 10880	T-254
AE212	Edge Profile, U, 2mm EPDM Black (Access Hatch) for 10880	T-203	AE227	Cover, Knife Lid Flap Holder for 10880	T-229	36330	Inductive Sensor M12 PNP/NA Rechner IAS-10-A22-S-OEM (Plexi Lid) for 10880	T-255
AE213	Electric Heater with Ventilation 250W IP20 for 10880	T-204	AE228	Metal Counterpart for Inductive Sensor, Noise Protection Cover for 10880	T-230	AE241	Foot, Stainless Steel for 10880	T-256
AD435	Detector ABB Adam for 10880	T-205	AE229	Brass Bushing for 10880	T-231	AE292	Angular Grommet, 90°, Grey (Cord Supply) for 10880	T-257
AE214	Aluminum Washer for Lid Lifter for 10880	T-206	AE287	Noise Protection Cover, Transparent Plastic for 10880	T-232	AE293	Threaded Grommet, Grey for 10880	T-258
36409	Lid Lift Lineal LMR03 C300 ROE FC2 RH (Stainless Steel Lid) for 10880	T-207	36353	Lower Hinge Holder for Plexi Cover Stainless Steel for 10880	T-233	AE294	Breaking Resistor for Electronic Drives for 10880	T-259
36410	Shaft Leva Top Lid D.10 AISI303 for 10880	T-208	36346	Columna AISI304 Soporte Lid for 10880	T-234	AE295	Washer for Pulleys, Motor and Knife Shaft for 10880	T-260
AE215	Air Piston for 10880	T-209	36345	Bronze Bushing B11 A-28-35-25 (2nd Holder Column Stainless Steel Lid) for 10880	T-235	AE296	Toothed Belt, Poly-V Multi-Rib for 10880	T-261
AE216	Mounting Holder Air Piston for 10880	T-210	AE288	Square Shaft, Knife Lid, Stainless Steel for 10880	T-236	AE297	Toothed Belt, Poly-V Multi-Rib 1943 PL8 for 10880	T-261
AE217	Socket Axis Cam, Knife Lid AISI303 for 10880	T-211	36340	Bronze Bushing B11 B-32-40-30/48-4 (Stainless Steel Lid Frame Entry) for 10880	T-237	AE298	Pulley, Poly-V Knife-Shaft for 10880	T-262
AE280	Welded Lid Lever for 10880	T-212	36367	Brushing Gasket (Top Bowl Shaft) for 10880	T-238	AE299	Pulley, Poly-V Motor for 10880	T-263
AE219	Extension for Detector for 10880	T-213	36341	Gearbox Power Shaft Bowl AISI303 for 10880	T-239	AE300	Pulley, Poly-V Motor for 10880	T-263
AD433	Detector ABB Eve for 10880	T-214	AE289	Bowl Drain Plug, Stainless Steel for 10880	T-240	AE250	Ring, Knife Motor for 10880	T-264
AD445	Grommet, Grey for 10880	T-215	36342	Pin for Bowl Gearbox Shaft for 10880	T-241	AE301	Ring, Knife Motor for 10880	T-264
36158	Protection Tube Reforced D.10/PG9 Thermometer Sensor (Probe Cutters) for 10880	T-216	36368	Ball Bearing SKF (1 Holder Bowl) for 10880	T-242	AE302	Knife Motor for 10880	T-265
36156	Stainless Steel Probe D.10 15 3M Digital Thermometer for 10880	T-217	36369	Brushing Gasket (Bowl) for 10880	T-243	36321	Socket Pulley Knives for 10880	T-266
AE281	Stainless Steel Knife Lid for 10880	T-218	AE290	Stainless Steel Hexagonal Screw, Bowl Gearbox for 10880	T-244	36332	Circlip DIN472 Hole D.85 3mm Black Steel for 10880	T-268
AD443	Spring Positioner (Friction Band) for 10880	T-219	AE291	Trim Arm Unloader AISI304 for 10880	T-245	36415	Ball Bearing SKF (Pulley Side) for 10880	T-269
AE282	Main Bowl-Lid Friction Band for 10880	T-220	AD461	Washer D.12.5xD.50x8mm for 10880	T-246	AE303	Knife-Head Shaft, Stainless Steel for 10880	T-270
AE283	Minor Bowl-Lid Friction Band for 10880	T-221	AE236	Sub-Panel, Inductive Bowl Sensor for 10880	T-247	AE304	Allen Screw with Hole (Knife Shaft), Stainless Steel for 10880	T-271
AE223	Noise Protection Cover Stop, Black Rubber for 10880	T-222	AE237	Panel, Inductive Bowl Sensor for 10880	T-248	AE305	Hexagonal Holder for Knives, Counter Clockwise, Stainless Steel for 10880	T-272
76716	Transparent Anti-Noise Lid for 10880	T-223	AE238	Inductive Bowl Sensor for 10880	T-249	36350	Knife, Cutter 4C, Flat for 10880	T-273
AE284	Knife Lid - Bowl Stop for 10880	T-224	36365	Front Bowl Guard, Stainless Steel for 10880	T-250	AE306	Spacer Ring, White, 3 Knives for 10880	T-274
AE285	Cover for Center Bowl Screw for 10880	T-225	36263	Gearbox MI-90F SITI R1/80 B-D.200 Shaft 24 32011 (Bowl) for 10880	T-251	AE307	Spacer Ring, White, 6 Knives for 10880	T-274

Parts Breakdown

Model FP-ES-0080 10880

Item No.	Description	Position	Item No.	Description	Position	Item No.	Description	Position
AE308	Knife Holding Ring Nut, White Arnite for 10880	T-275	AE314	Ring, Unloader Arm Handle for 10880	T-301	AD469	Auxiliary Contact 6A for 10880	T-326
36351	Knife Fixing Nut, Counter-Clockwise, 4-Surface, Stainless Steel for 10880	T-276	36379	Handle, Unloader Arm for 10880	T-302	AE266	Thermal Magnetic Circuit Breaker 2P 10A for 10880	T-327
36352	Blocked Nut, End of Knife Shaft, Counter-Clockwise, Stainless Steel for 10880	T-277	36380	O-Ring Int. Diam. 25 2 (Handle Unloader Arm) for 10880	T-303	AE267	Circuit Breaker-Motor Protection 8A for 10880	T-328
36331	Brushing Gasket (Bearing Knife-Shaft) for 10880	T-278	AE315	Unloader Disk for 10880	T-304	AE318	Circuit Breaker-Motor Protection 63A for 10880	T-329
36337	Socket Inox AISI303 D.63 45 35 8mm Tope Soporte Knives for 10880	T-279	AE316	Gasket, Unloader Arm for 10880	T-305	36315	Contacto LG GMD-6MR 2B DC24V 3W 6A 1 for 10880	T-330
36333	Ball Bearing SKF (Knives Side) for 10880	T-280	36376	Ring Unloader Arm for 10880	T-306	AE269	Antiparasite Block, AC-DC24/48V (Contacto) for 10880	T-331
AE309	Knife Shaft Torpedo, Stainless Steel, without Accessories for 10880	T-281	36383	Circlip DIN472 Hole D.47 1.75mm Steel (Unloader Arm) for 10880	T-307	AE270	4-Channel Electronic Circuit Switch 24VDC/1-2-4-6A for 10880	T-332
AE310	Machine Cabinet with Access Panel + Base + Accessories for 10880	T-282	36384	Ball Bearing SKF (Unloader Arm) for 10880	T-308	36314	Contacto LG GMD-6M DC24V 2W 1B 6A for 10880	T-334
36311	Knife Dismantling Wrench 65/95mm (Combined) for 10880	T-283	36385	Axis Transmission Arm Unloader Steel for 10880	T-309	36227	2 Auxiliary Contacts LG AU-2M 1A1B 1NA/1NC for 10880	T-335
36312	Knife Dismantling Wrench 95mm (Large) for 10880	T-284	36373	Gearbox Unloader Arm SITI MHLF-20/2/10.67 B14 for 10880	T-310	AE271	Terminal Blocks Main Panel for 10880	T-336
AE311	Motor Platform for 10880	T-285	AE317	Motor, Unloader Arm 3-Phase 0.37KW/0.5HP 3x390/225V-50Hz for 10880	T-311	AE319	Terminal Blocks Main Panel with Unloader Arm for 10880	T-336
36401	Lid Tension Arm Unloader Steel AISI304 for 10880	T-286	36372	Motor Unloader Arm 3-Phase 0.37KW/0.5HP 3 380/220V-60Hz B14 1680 RPM for 10880	T-311	AE272	Transformer, PRI 400/230V SEC 110/230V for 10880	T-337
36391	Holder Unloader Arm for 10880	T-287	36370	Casing Motor Arm Unloader Cutter for 10880	T-312	AE273	Power Supply 10A 24V for Machines 3x400/380V 50/60Hz for 10880	T-338
AC913	Ball Joint, Male, Stainless Steel, Threaded M8 for 10880	T-288	36397	O-Ring Int. Diam. 192 2.5 (Unloader Arm Motor) for 10880	T-313	AE274	Power Supply 10A 24V for Machines 3x200/240V 50/60Hz for 10880	T-338
AD460	Toothed Belt Poly-V Multi-Rib for 10880	T-289	36395	Coupling Elastic Giflex FBX NN-19 (Unloader Arm) for 10880	T-314	AE320	Electronic Drive for Knife Motor for 10880	T-339
AD431	Air Piston for 10880	T-290	36398	Unloader Extracting Pan Motorized Arm for 10880	T-315	AE276	Electronic Drive for Bowl Motor for 10880	T-340
36400	Tension Bar for Arm Unloader Steel F114 (Cutter) for 10880	T-291	36399	Friction Band Extracting Feed Pan APM1000 Green for 10880	T-316	AD429	Hygro-Thermostat 240V IP20 for 10880	T-341
36272	Friction Ring Unloading Arm White Arnite for 10880	T-292	36374	Star-Stub Knob Blocked D.55 Black 1118 Thread M12 (Extracting Pan) for 10880	T-317	36313	Contacto LG GMD-6M DC24V 2W 1A 6A 3 for 10880	T-342
36394	Bronze Bushing B11 A-20-30-40 (Unloader Arm) for 10880	T-293	AE261	Isolating Box, Modular, Transparent Cover for 10880	T-318	AE321	Mini Adapter, DC for 10880	T-343
36393	Arm Articulation Holder Unloader Steel Inoxidable for 10880	T-294	AE262	Base Plate for Isolating Box for 10880	T-319	AD480	Circuit Breaker-Motor Protection 1.6A for 10880	T-344
AE312	Rubber Shock Absorber, Black for 10880	T-295	AD470	Safety Relay ABB Sentry SR42 for 10880	T-320	AE277	Terminal Blocks, Unloader Arm for 10880	T-345
36389	Unloader Arm Catch D.20 10 for 10880	T-296	AE263	Safety Relay ABB Sentry SR10 for 10880	T-321	AE322	Base Plate for Isolating Box for 10880	T-346
36396	Nut Articulation Arm Unloader Steel Inoxidable for 10880	T-297	AE264	Thermal Magnetic Circuit Breaker 2P 4A for 10880	T-322	AE323	Isolating Box, Opaque Lid for 10880	T-347
36387	Shaft Articulation Arm Unloader Steel Inox for 10880	T-298	AE265	Circuit Breaker-Motor Protection 2,5A for 10880	T-323	AE278	Control Panel with Touch Screen for 10880	T-348
AE313	Unloader Arm Body for 10880	T-299	AD474	Camara for Auxiliary Contacts for 10880	T-324	AD451	Angular Grommet, 90°, Grey (Cord Supply) for 10880	T-349
36377	Screw Handle Unloader Arm for 10880	T-300	AD468	Thermal Magnetic Circuit Breaker 2P 2A for 10880	T-325	AD452	Grommet Grey for 10880	T-350