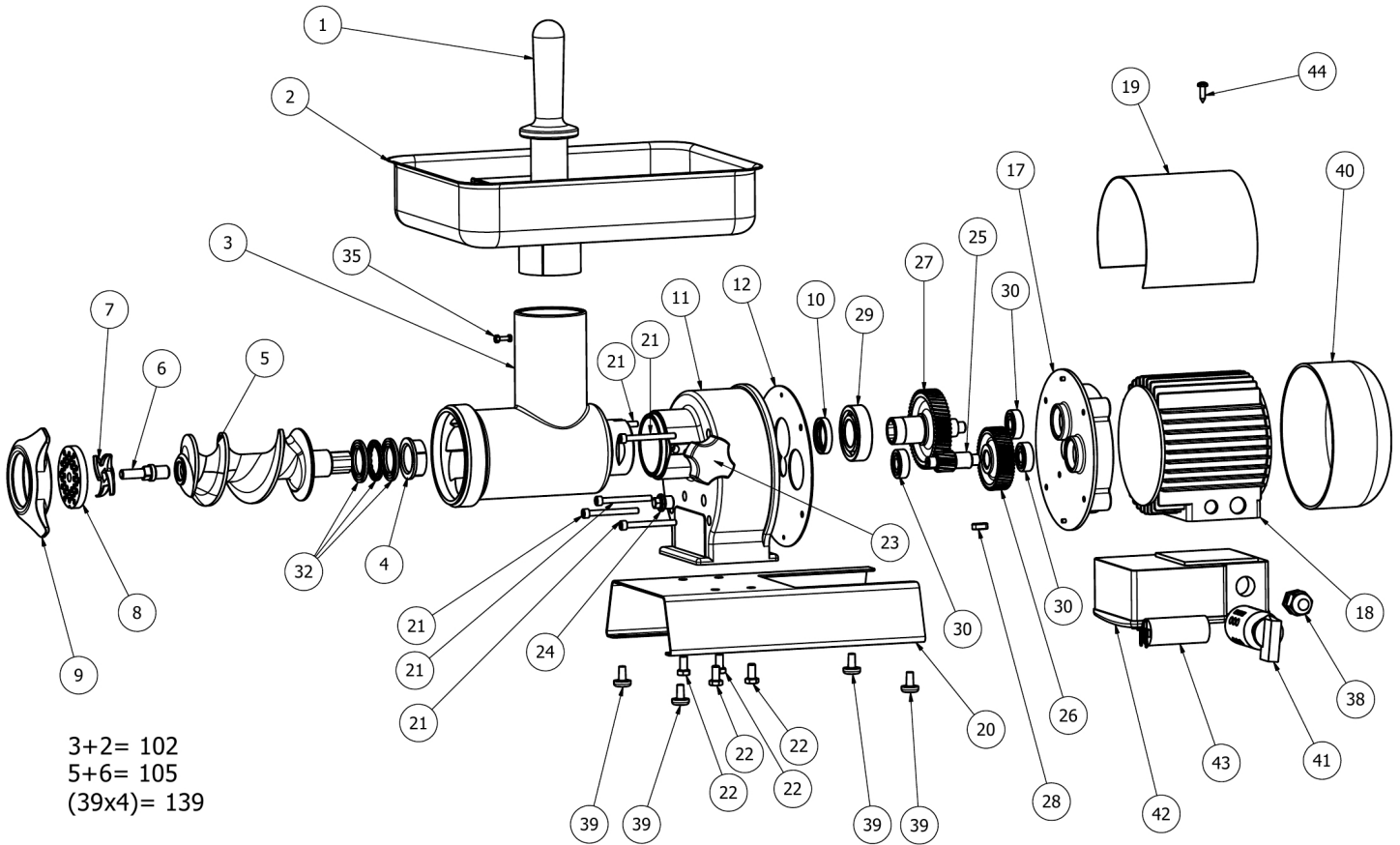


Parts Breakdown

Model MG-IT-0032 11013



Parts Breakdown

Model MG-IT-0032 11013

Item No.	Description	Position	Item No.	Description	Position	Item No.	Description	Position
15241	Plunger for 11013	1	69314	Base for 11013	20	69320	Worm Bearings for 11013	32
17785	Hopper for 11013	2	15239	Hand Wheel for 11013	23	15225	Fan Cover MEC 80x03702N for 11013	40
69309	Bush for Body for 11013	4	15238	Oil Site Glass for 11013	24	39460	Switch for 11013	41
18650	Worm Pin for 11013	6	69316	Toothed Pinion 120RPM for 11013	25	69324	Switch Box for 11013	42
69310	Screw Ring for 11013	9	69317	Toothed Wheel for 11013	26	69325	Capacitor 220V/50Hz for 11013	43
69311	Sealing Ring for 11013	10	69318	Toothed Shaft Hexagonal Connection 120RPM for 11013	27	69308	Body with Hopper for 11013	102
77490	Reduction Unit Case for 11013	11	69319	Key for 11013	28	45083	Worm / Auger with Hexagonal Pin for 11013	105
69312	Motor / Motor-Reducer Gasket for 11013	12	AG592	Bearing 6206 30x62x16 (for Alu Reduction Unit) for 11013	29	69321	Set of 4 Feet for 11013	139
69313	Stainless Steel Motor Cover for 11013	19	AK398	Bearing for 11013	30	69326	Motor Fan for 11013	