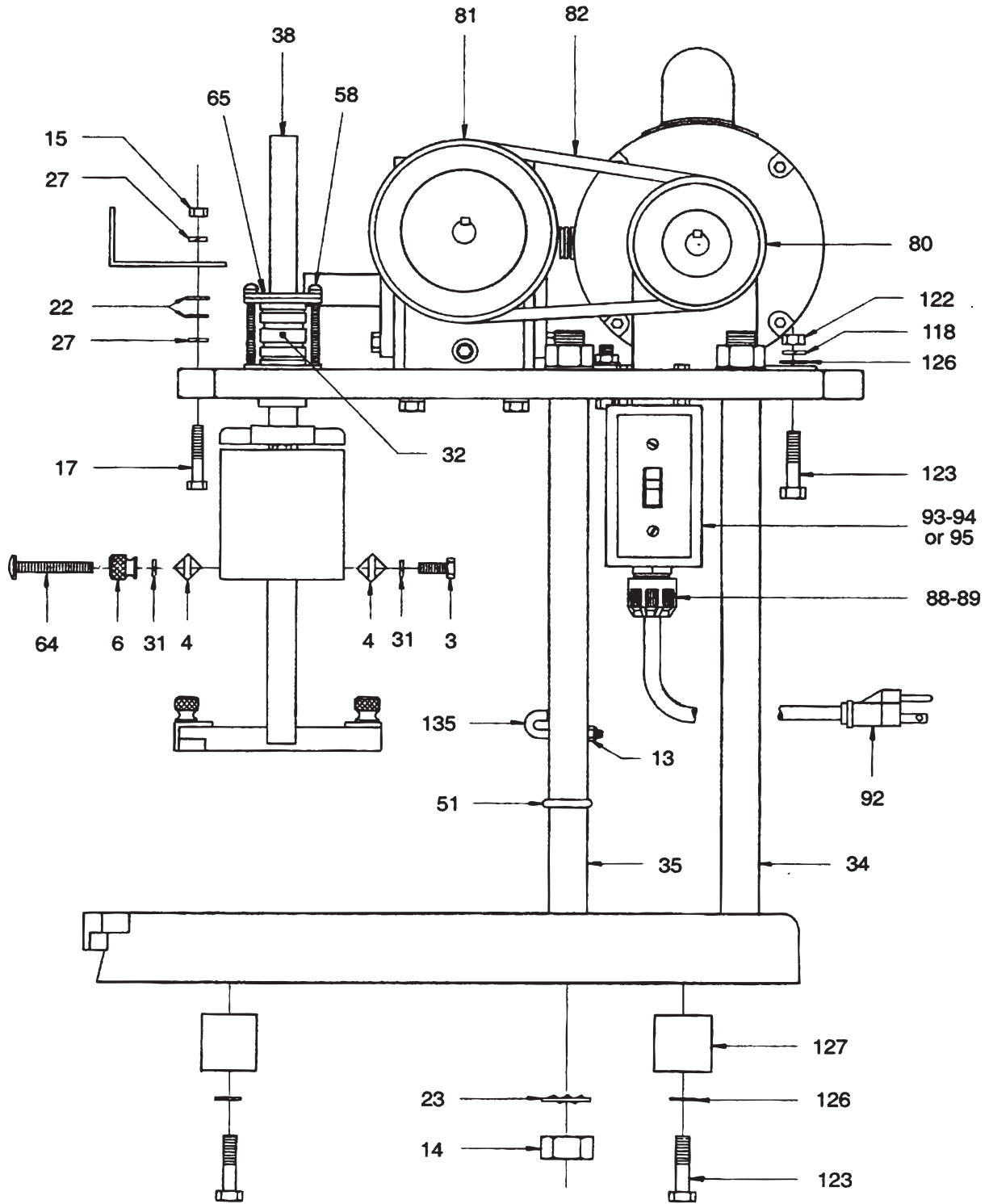


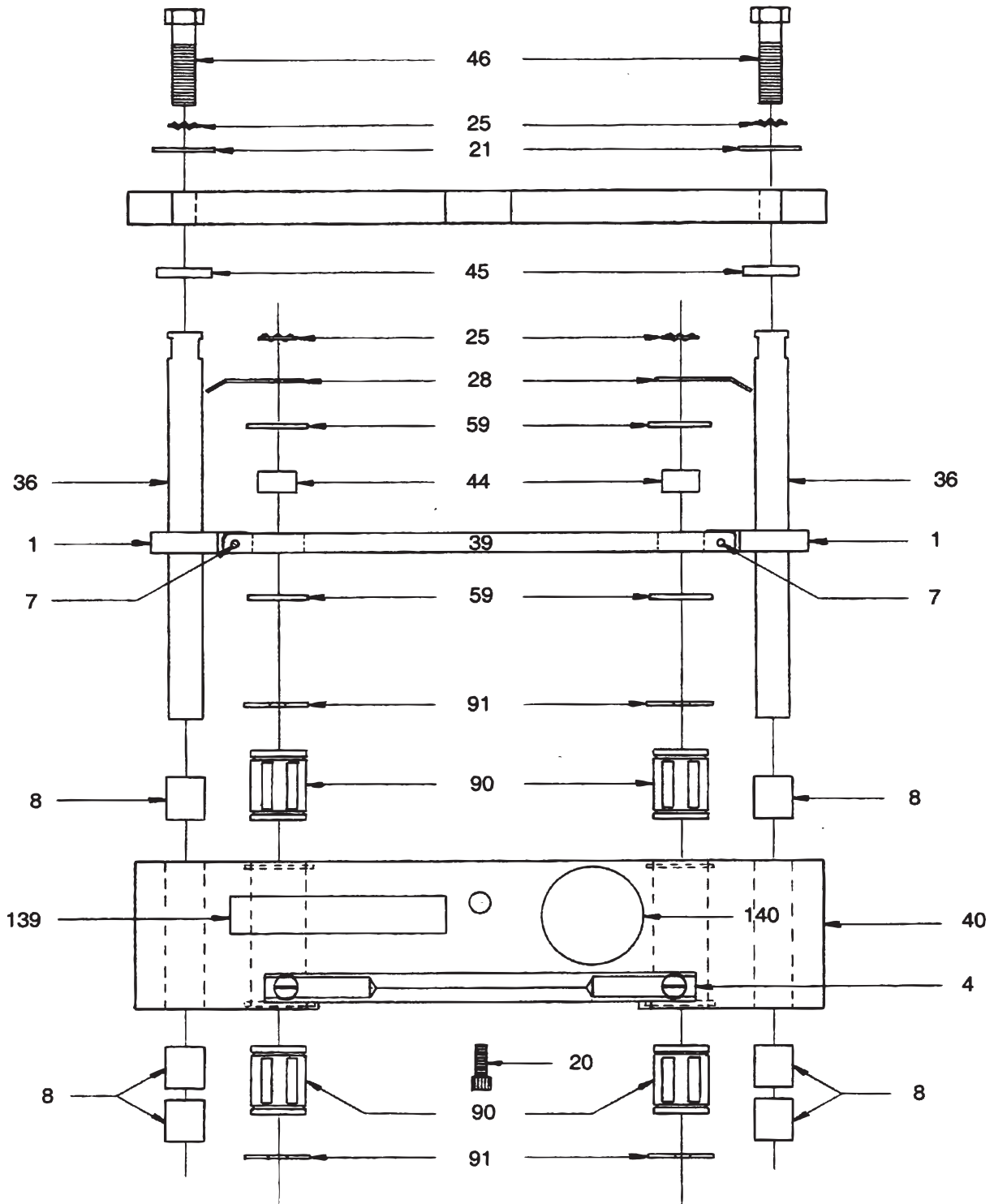
Parts Breakdown

Model MT-CA-0150 11059



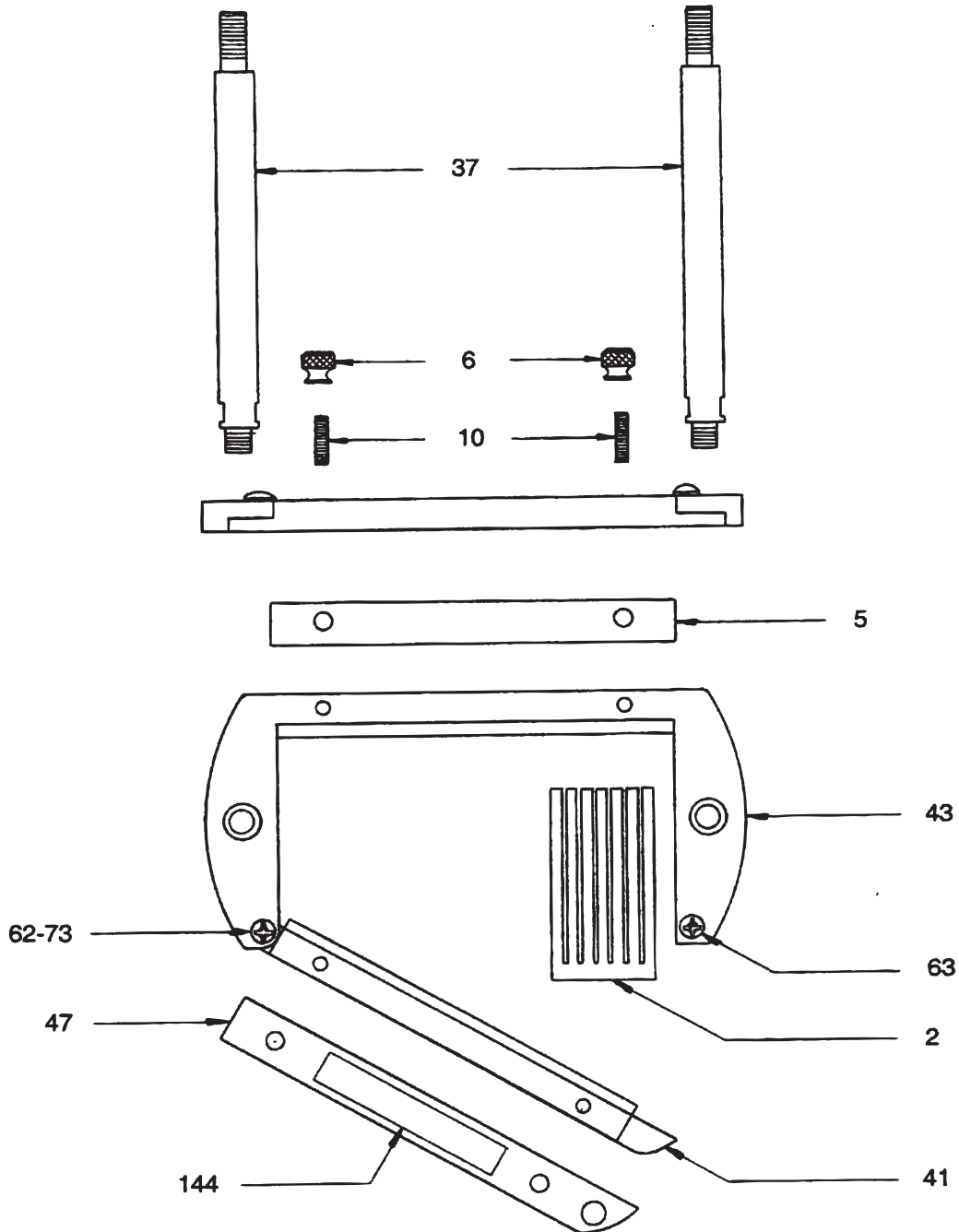
Parts Breakdown

Model MT-CA-0150 11059



Parts Breakdown

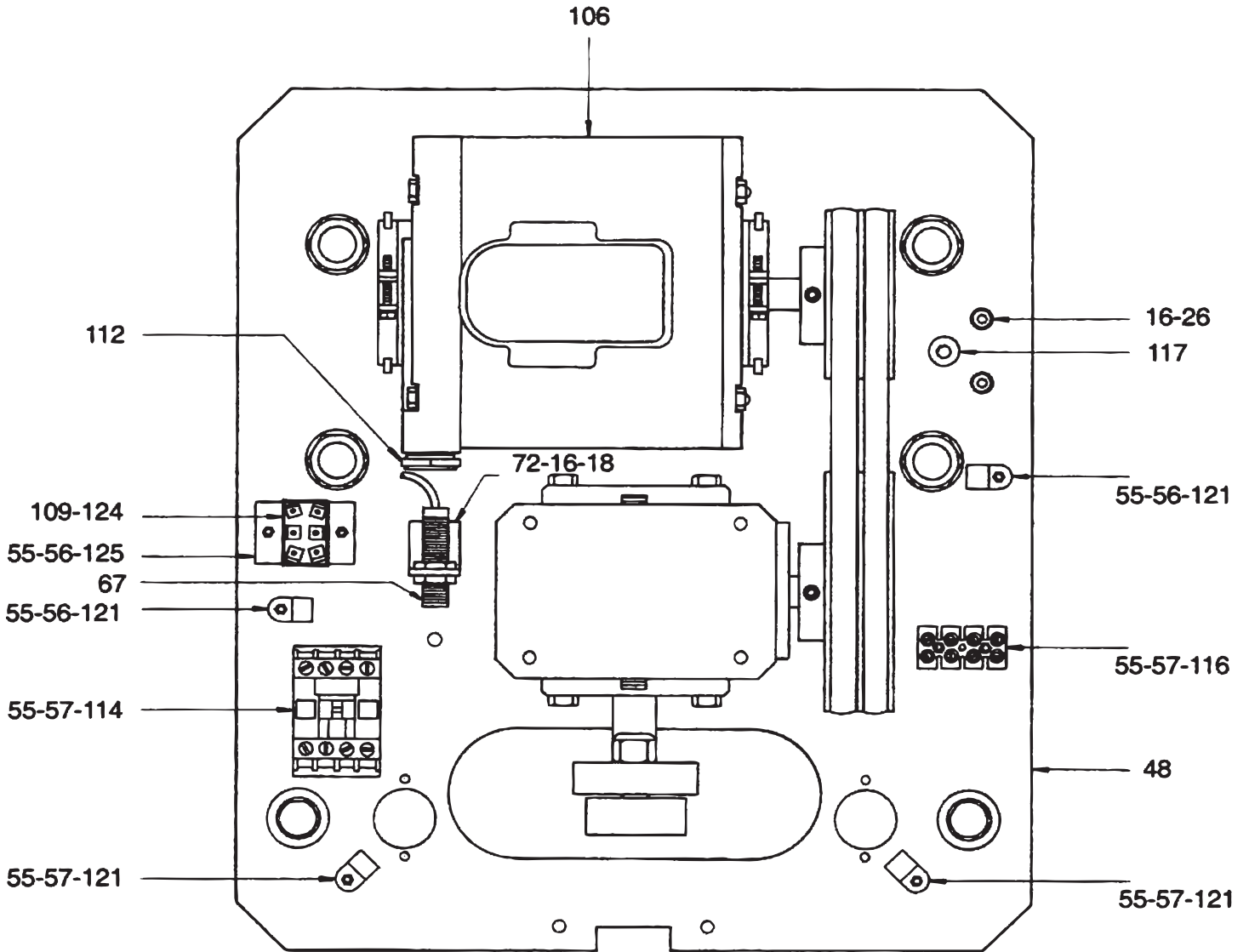
Model MT-CA-0150 11059



Down Holder ASSY see ref. #42
 42 = (43-41-62-63-73-10).

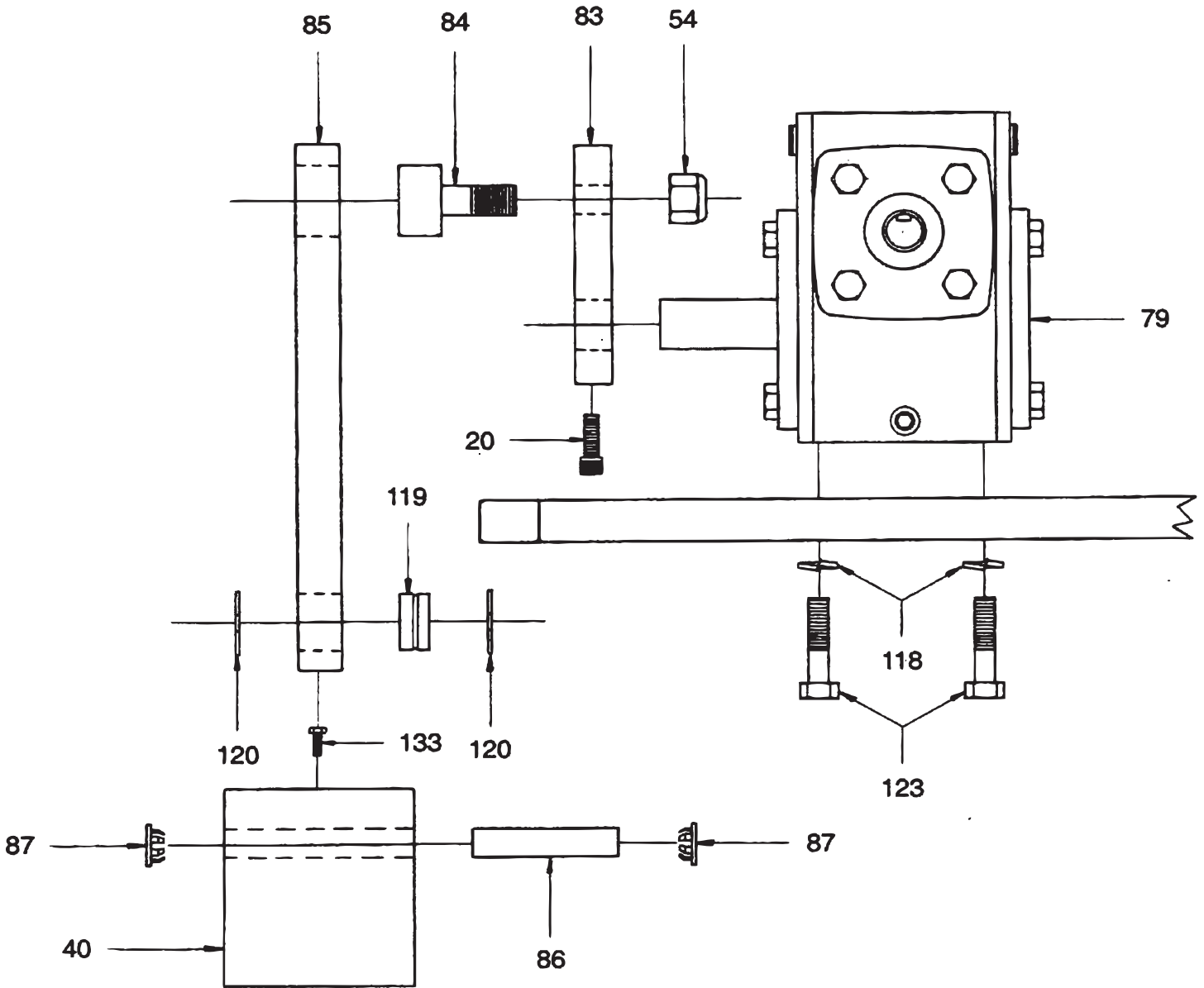
Parts Breakdown

Model MT-CA-0150 11059



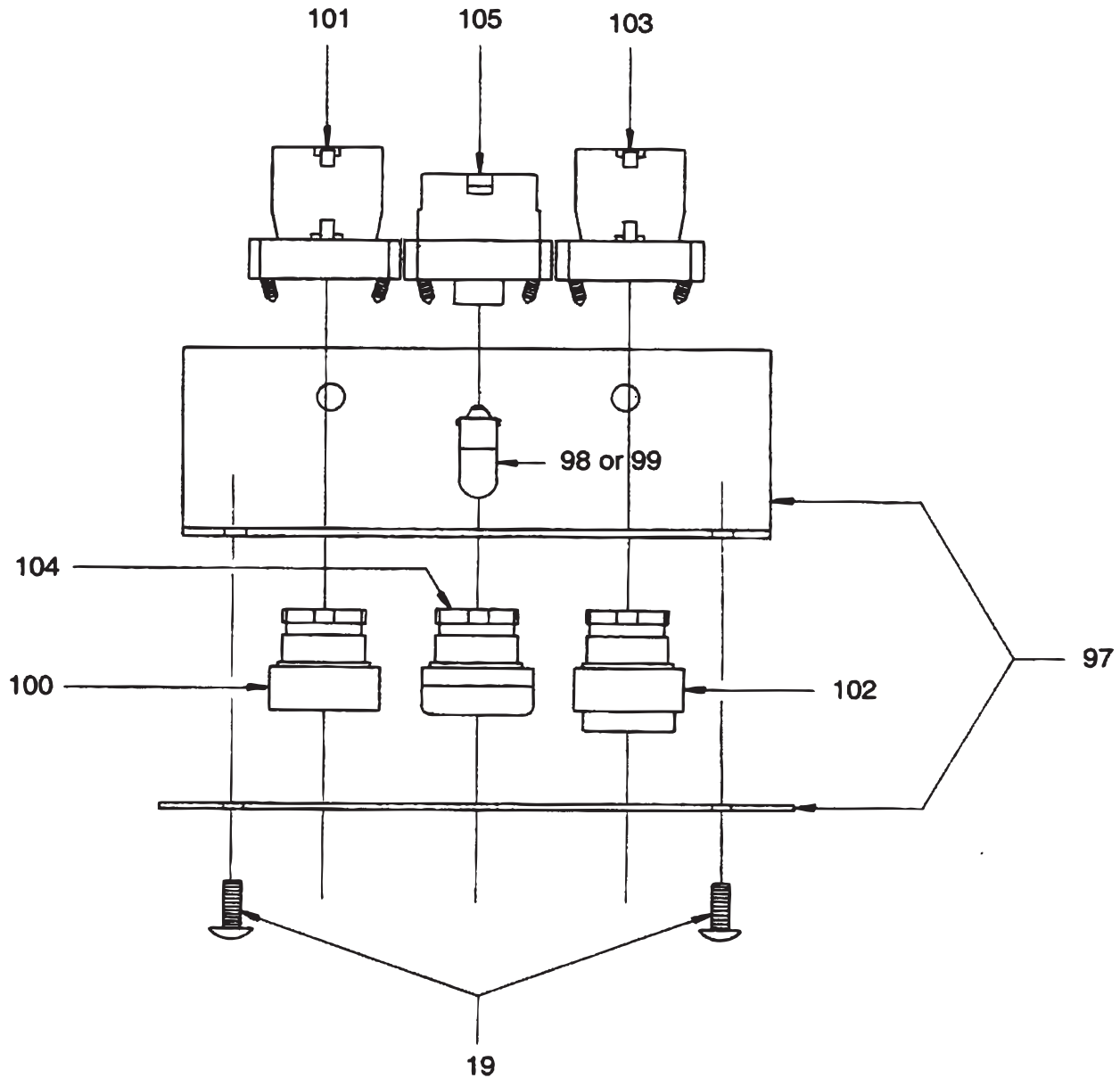
Parts Breakdown

Model MT-CA-0150 11059



Parts Breakdown

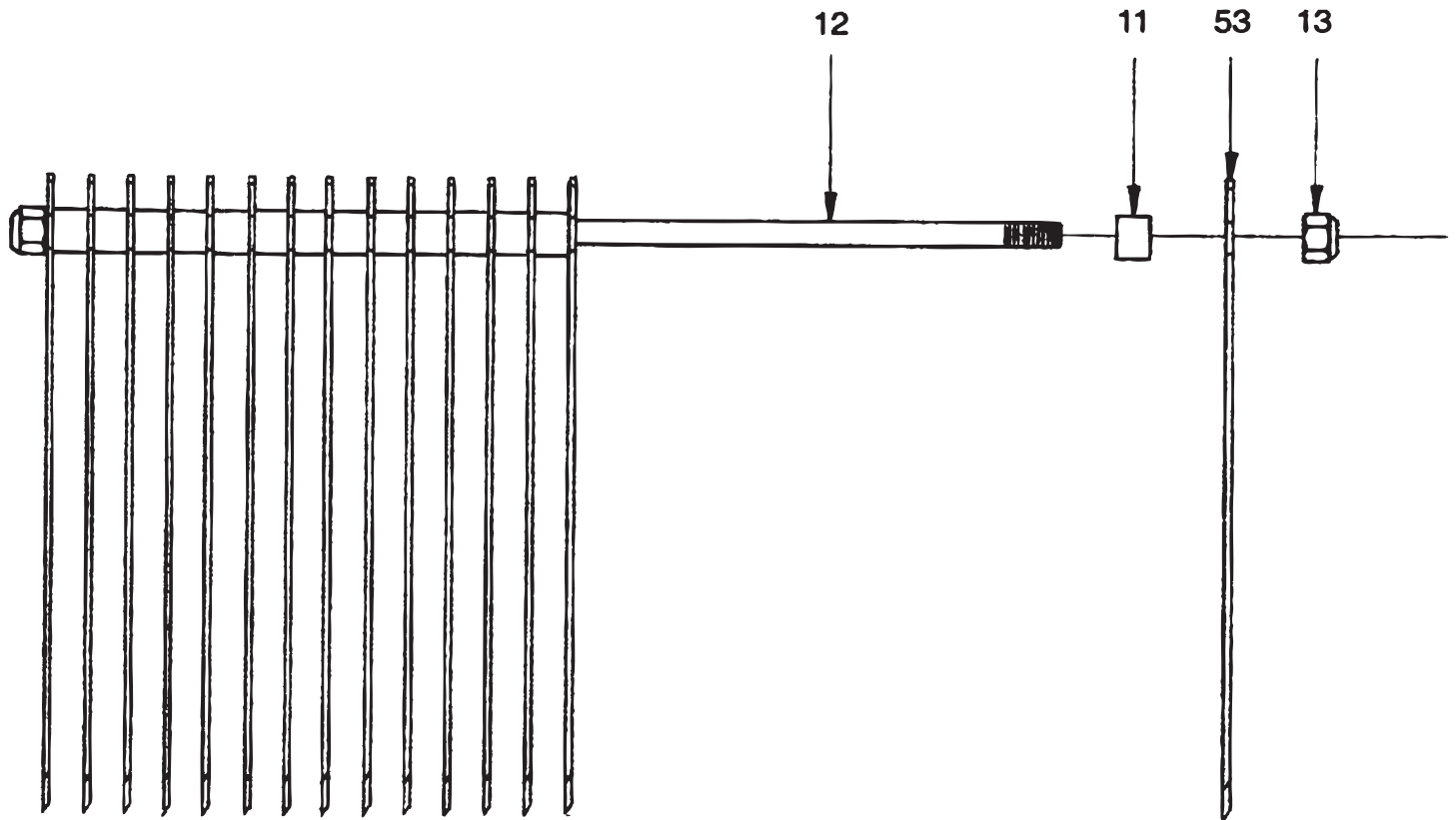
Model MT-CA-0150 11059



For Front Starter Switch ASSY
see ref. #96

Parts Breakdown

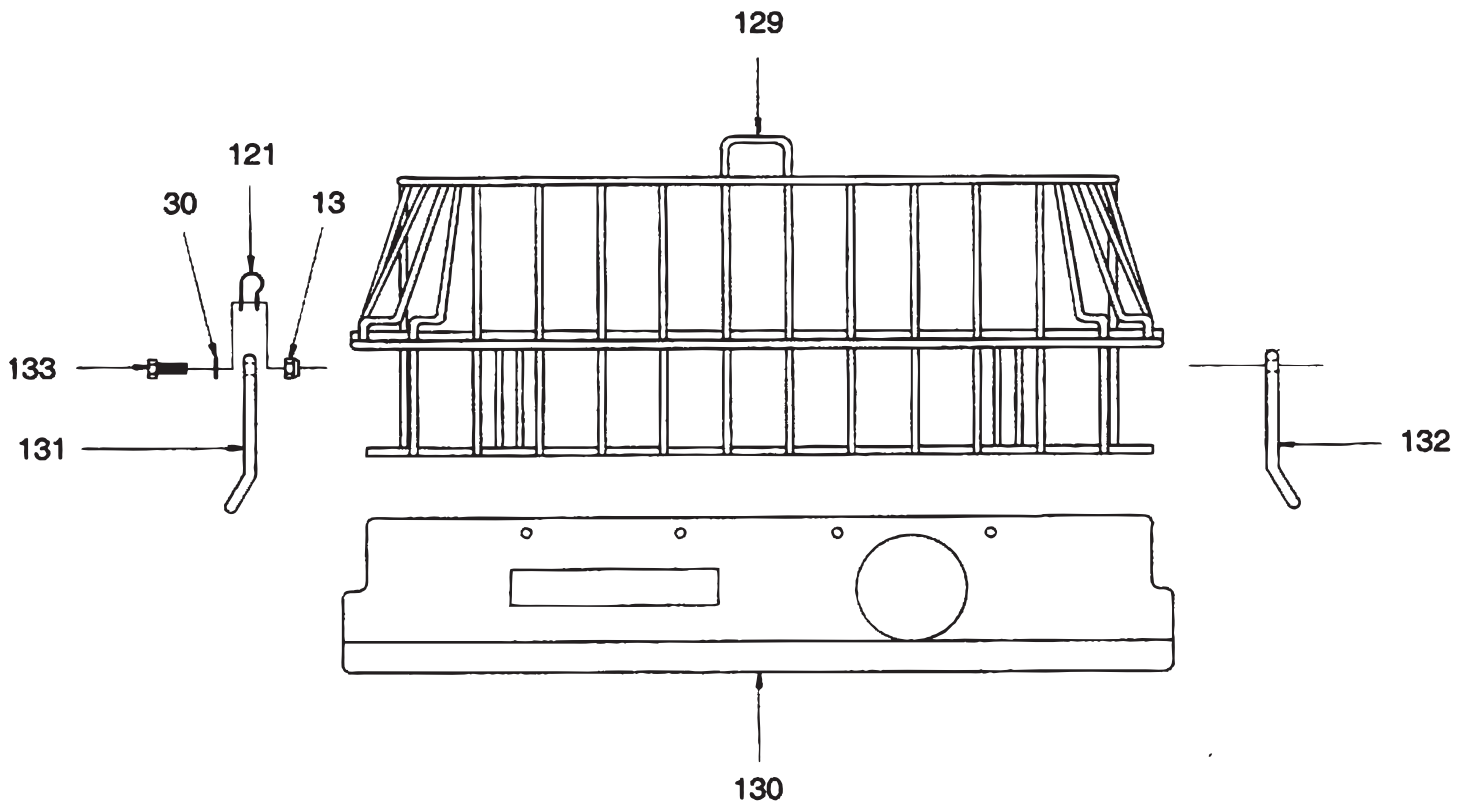
Model *MT-CA-0150* 11059



For complete set of blades
see ref. #52.

Parts Breakdown

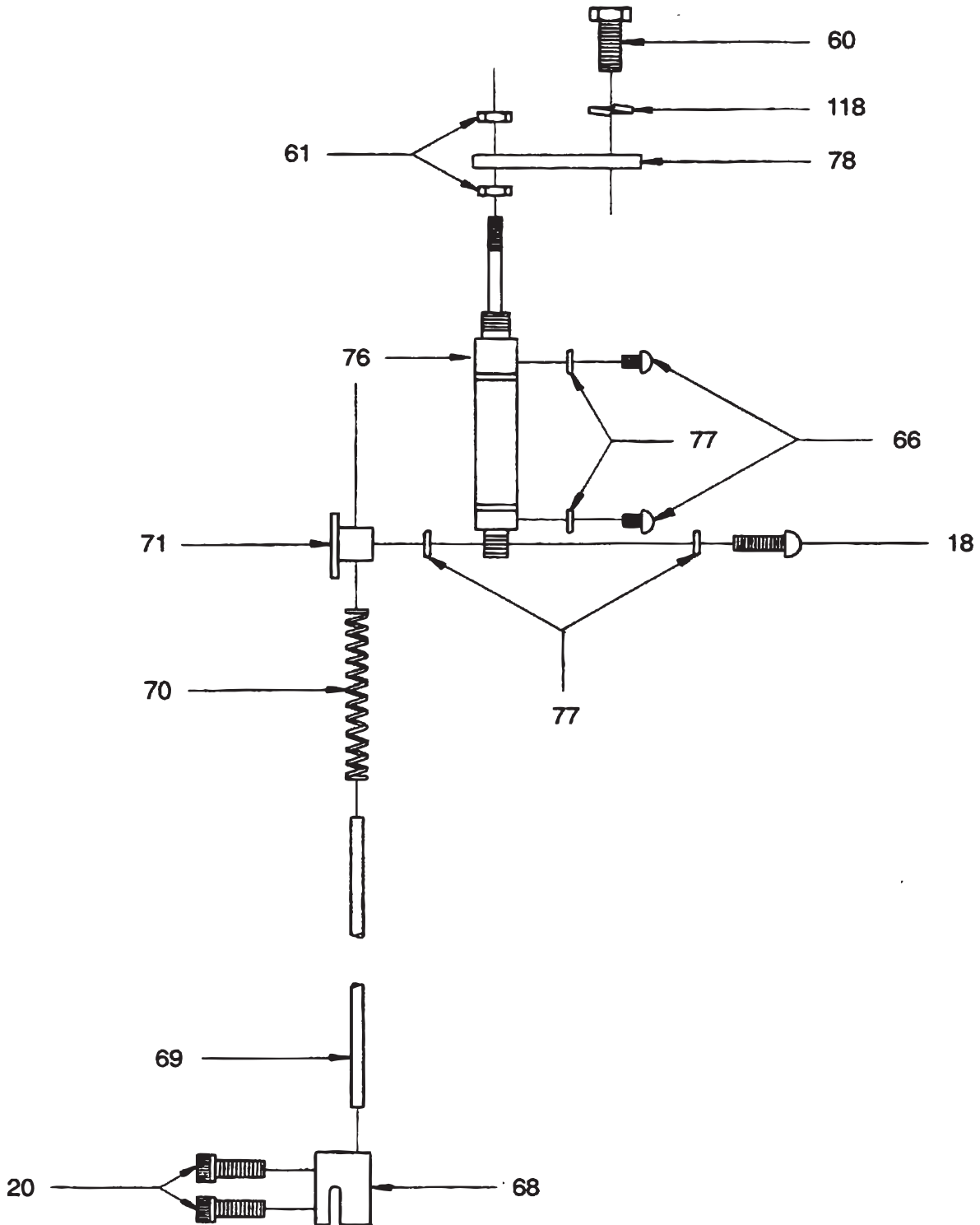
Model **MT-CA-0150** 11059



**For Safety Guard ASSY
see ref. #128**

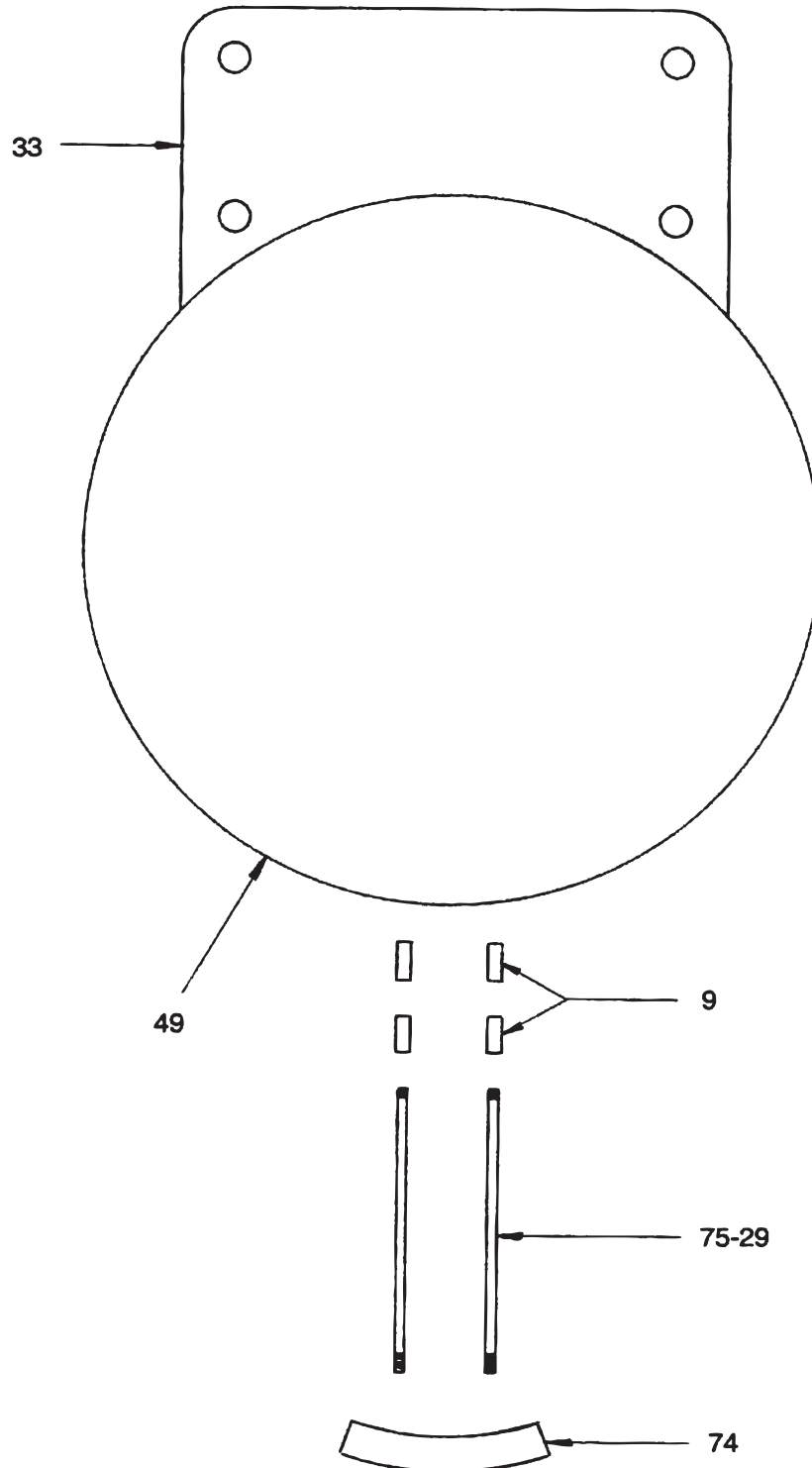
Parts Breakdown

Model MT-CA-0150 11059



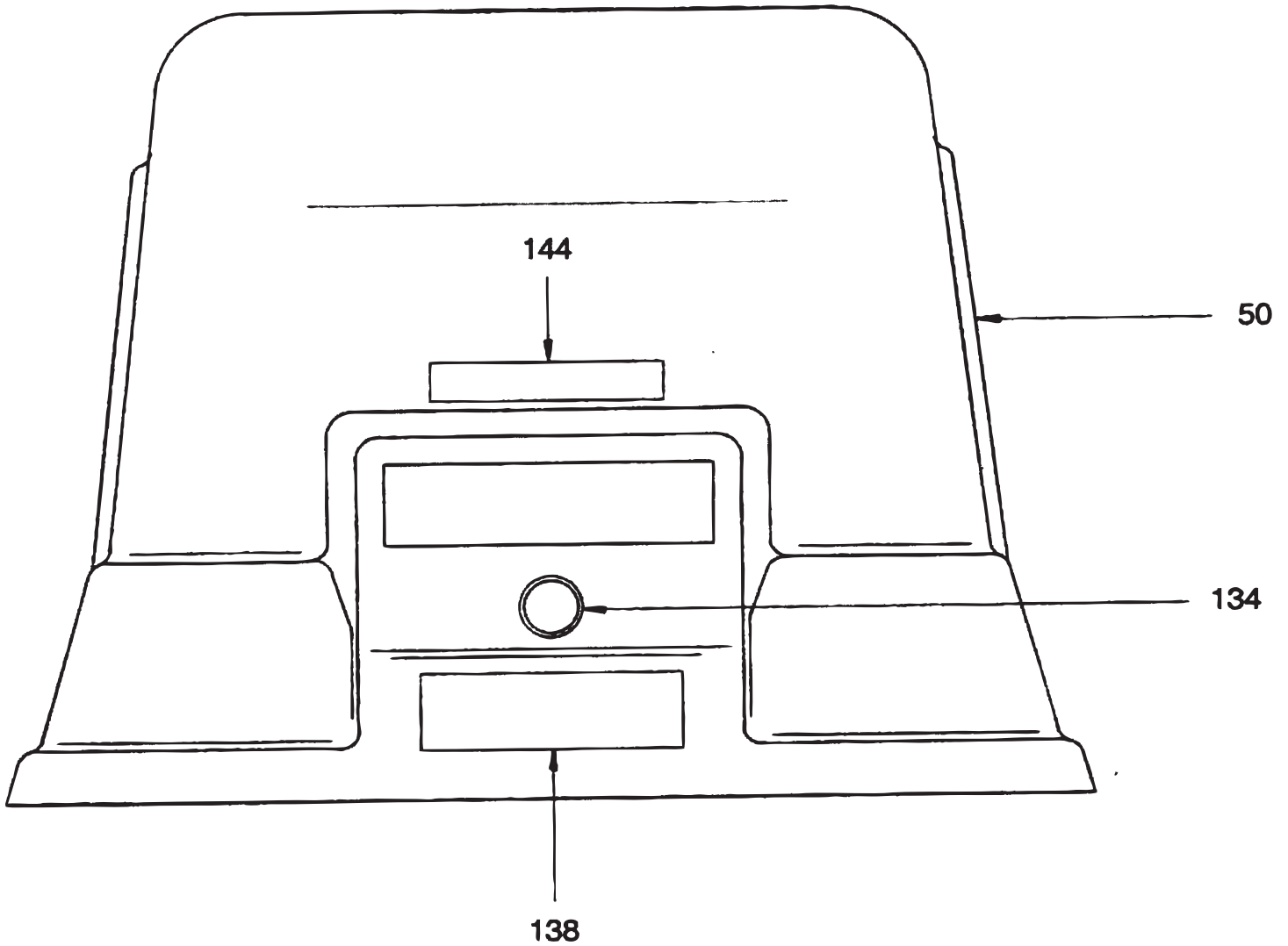
Parts Breakdown

Model **MT-CA-0150** 11059



Parts Breakdown

Model **MT-CA-0150** 11059



Parts Breakdown

Model MT-CA-0150 11059

139 → **DANGER** COUTEAUX TRÈS TRANCHANTS
POINTED SHARP KNIVES



141 → **COMMUTATEUR DE SÉCURITÉ** SECURITY SWITCH

142 →  **COMMUTATEUR DE RENVERSE** REVERSE SWITCH

143 → **DÉBRANCHER DU CIRCUIT D'ALIMENTATION AVANT D'OUVRIR**
DISCONNECT FROM THE SUPPLY CIRCUIT BEFORE OPENING

144 → **METTRE LES POINTES DES LAMES VERS L'AVANT**  **PLACE THE TIPS OF THE BLADES UP FRONT**

137 → 

Parts Breakdown

Model MT-CA-0150 11059

Item No.	Description	Position	Item No.	Description	Position	Item No.	Description	Position
40009	Lock Ring for 11059	1	AH849	Extension Inside Shaft for 11059	38	AH880	Shock Absorber for 11059	76
16276	Plastic Guide for 11059	2	AH850	Link Arm for 11059	39	AH881	O-Ring for 11059	77
AH821	Stainless Steel Hex Bolt 1/4-20x3/4 for 11059	3	16261	Block Needle Holder for 11059	40	AH882	Shock Absorber Bracket for 11059	78
16263	Square Bar for 11059	4	78700	Front Opening Bar for 11059	41	AH883	Reducer for 11059	79
AH822	Stainless Steel Flat Bar for 11059	5	AH851	Down Holder Assembly for 11059	42	AH884	Pulley Motor for 11059	80
AH823	Knurled Nut for 11059	6	78701	Down Holder Stainless Steel for 11059	43	AH885	Pulley Reducer for 11059	81
AH824	Pin for Lock Ring for 11059	7	AH852	Link Spacer for 11059	44	AH886	Belt for 11059	82
44868	Bushing 3/4" for 11059	8	44992	Spacer for 11059	45	16267	Cam for 11059	83
AH825	Bushing 1/4" for 11059	9	AH853	Hex Bolt 1/2-13x2" for 11059	46	40011	Cam Follower for 11059	84
AH826	Allen Set Screw 1" for 11059	10	AH854	Stainless Steel Front Flat Bar for 11059	47	AH887	Connecting Rod for 11059	85
AH827	Blades Spacer for 11059	11	AH855	Plate Top for 11059	48	AH888	Pin for Connecting Rod for 11059	86
AH828	Threaded Rod for 11059	12	16264	Round Board for 11059	49	AH889	Chrome Cap for 11059	87
79562	Lock Nut 10-32 for 11059	13	AH856	Hood for 11059	50	AH890	Strain Relief Connector for 11059	88
AH829	Nut 3/4" for 11059	14	AH857	O-Ring for 11059	51	AH891	Lock Nut 1/2" for 11059	89
AH830	Nut 1/4" for 11059	15	16265	Set of Blade Assembly for 11059	52	39061	Needle Bearing for 11059	90
AH831	Nut 3/16" for 11059	16	AH858	Stainless Steel Stop Nut 1/2" for 11059	54	45193	Retaining Ring for 11059	91
AH832	Bolt 1/4 x 1 1/2" for 11059	17	AH859	Nut 4-40 for 11059	55	AH892	Wire with Molded Plug for 11059	92
AH833	Bolt 3/16 x 1 1/4" for 11059	18	AH860	Screw 4-40x1" for 11059	56	AH893	Main Switch for 11059	93
AH834	Screw for Hood for 11059	19	AH861	Screw 4-40x1 1/2" for 11059	57	AH894	Overload 115V for 11059	94
AH835	Allen Cap Screw 3/4" for 11059	20	AH862	Screw 10-32x2 1/2" for 11059	58	AH895	Push Button Switch Assembly for 11059	96
AH836	Reg. Flat Washer 1/2" Stainless Steel for 11059	21	AH863	Flat Washer 1/2" Stainless Steel for 11059	59	AH896	Support and Stainless Steel Plate for 11059	97
AH837	Plain Washer 1/4" for 11059	22	AH864	Stainless Steel Hex Bolt 5/16-18x3/4" for 11059	60	16269	Light Bulb 115V for 11059	98
AH838	Internal Washer 3/4" for 11059	23	AH865	Stainless Steel Hex Nut 10-32 for 11059	61	AH897	Green Button for 11059	100
AH839	Internal Washer 1/2" for 11059	24	AH866	1/4-20x5/8 Truss Head for 11059	62	AH898	Contactora N.O. for 11059	101
45682	Shaft Lock Washer for 11059	25	AH867	1/4-20x1/2 Pan Head for 11059	63	AH899	Red Button for 11059	102
AH840	Internal Washer 3/16" for 11059	26	AH868	Stainless Steel Screw 1/4-20 x 2" for 11059	64	AH900	Contactora N.C. for 11059	103
AH841	Lock Washer 1/4" for 11059	27	AH869	Top Washer Bushing Holder for 11059	65	AH901	Pilot Light Reflector for 11059	104
40010	Spring Plate for 11059	28	AH870	Screw 10-32x1/4" for 11059	66	AH902	Contactora for Pilot Light for 11059	105
AH842	Nut 1/4" for 11059	29	AH871	Sensor for 11059	67	AH903	Motor for 11059	106
AH843	Stainless Steel Plain Washer 3/16" for 11059	30	AH872	Block Aluminum for 11059	68	AH904	Joint Connector for 11059	107
AH844	Stainless Steel Lock Washer 1/4" for 11059	31	AH873	Stainless Steel Rod 3/16x11" for 11059	69	AH905	Female Connector for 11059	108
AH845	Teflon Bushing for 11059	32	AH874	Spring 2 1/2" for 11059	70	AH906	Male Terminal for 11059	109
AH846	Base for Frame for 11059	33	AH875	Sensor Detector for 11059	71	AH907	Band Spiro SW25P80 for 11059	110
AH847	Column for Frame for 11059	34	AH876	Bracket Sensor for 11059	72	AH908	Black Wire for 11059	111
AH848	Front Column for 11059	35	AH877	Stainless Steel Spacer Down Holder for 11059	73	AH909	Nipple 1/2" for 11059	112
39062	Exterior Posts for 11059	36	AH878	Support for Round Board for 11059	74	AH910	Ring Terminal for 11059	113
39063	Interior Posts for 11059	37	AH879	Stainless Steel Threaded Rod 1/4 x 8" for 11059	75	AH911	Magnetic Contactora for 11059	114

Parts Breakdown

Model MT-CA-0150 11059

Item No.	Description	Position	Item No.	Description	Position	Item No.	Description	Position
AH912	Coil 220V for 11059	115	AH922	Plate for Reverse Switch for 11059	125	AH932	10-32 U-Bolt Guard Hinger for 11059	135
AH913	Terminal Block for 11059	116	AH923	Washer 5/16" for 11059	126	AH933	1/2" Key for 11059	136
AH914	Rubber Bushing for 11059	117	AH924	Rubber Foot for 11059	127	AH934	Hood Striping Blue for 11059	137
AH915	Lock Washer 5/16" for 11059	118	AH925	Safety Guard Assembly for 11059	128	AH935	Label Danger for 11059	139
AH916	Ball Joint for 11059	119	AH926	Safety Guard for 11059	129	AH936	Label Pictogram for 11059	140
AH917	Retaining Ring for 11059	120	AH927	Acrylic Front for 11059	130	AH937	Label Security Switch for 11059	141
AH918	Plastic Clip for 11059	121	AH928	Acrylic Left for 11059	131	AH938	Label Reverse Switch for 11059	142
AH919	Nut 5/16" for 11059	122	AH929	Acrylic Right for 11059	132	AH939	Label Disconnect from the. for 11059	143
AH920	Bolt 5/16 x 1 1/2" for 11059	123	AH930	Stainless Steel Bolt 10-32 x 1/2" for 11059	133	AH940	Label Place the Tips. for 11059	144
AH921	Reverse Switch for 11059	124	AH931	Guard Button Assembly for 11059	134			