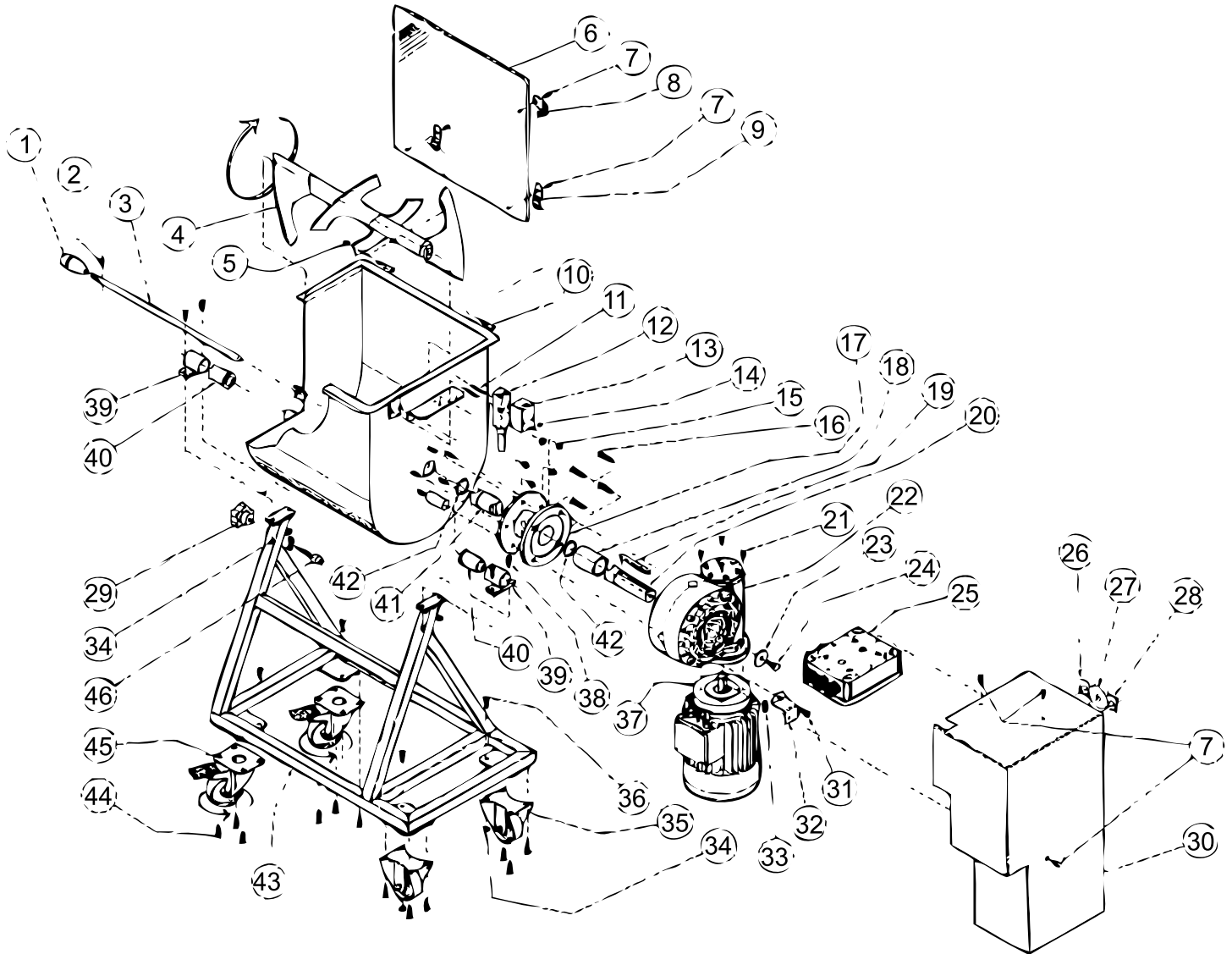


# Parts Breakdown

Model MM-IT-0050 13159



# Parts Breakdown

## Model MM-IT-0050 13159

Item No.	Description	Position	Item No.	Description	Position	Item No.	Description	Position
42385	Handle M10 for 13159	1	43808	Support Gear 50-75 Single Blade for 13159	17	42256	Key Shaft 6x8 L40 for 13159	33
42386	Elastic Pin 5x18 for 13159	2	43809	Bush Teflon Shaft Gear Single Blade 50-75 kg. for 13159	18	42257	Inox Nut M8 for 13159	34
42387	Paddle Shaft 50 kg Single Blade for 13159	3	43810	Key Shaft 8x10 L.70 for 13159	19	42258	Fixed Wheel Cart for 13159	35
42388	Pala 50 kg. Single Blade for 13159	4	43811	Shaft Gear 50-75 kg. Single Blade for 13159	20	42259	Hex Head Screw M8x16 Inox for 13159	36
42389	Inox Nut M6 for 13159	5	43812	Hex Head Screw M8x25 Zinc for 13159	21	42260	Engine 50 HP 2 Single Blade 50-75 kg. for 13159	37
42390	Cover Transparent 50 kg. Single Blade for 13159	6	43813	Motor Reduction Unit for 13159	22	42261	Hex Head Screw M8x16 Inox for 13159	38
42391	Head Screw M6x10 Inox Hexagon for 13159	7	43814	Flat Washer Galvanized 10x40 for 13159	23	47262	Group Rotation Tank Mod. Long for 13159	39
42392	Bracket Micro for 13159	8	42270	Hex Head Screw M18x20 Zincata for 13159	24	42263	Bush Teflon Group Rotation Mod. Long for 13159	40
42393	Hinge for 13159	9	43845	Panel Electric Model for 13159	25	42264	Fitting Shaft - Pala for 13159	41
42394	Vasea 50 kg. Single Blade for 13159	10	42249	Plate Indicator Run - Next for 13159	26	42265	O Ring Round Section 040 for 13159	42
43802	Threaded Stud M5x45 for 13159	11	42250	Marker Plate - Emergency Stop for 13159	27	42266	Cart 50 kg. Single Blade for 13159	43
43803	Micro Blocking Safety for 13159	12	42251	Plate Indicator Run - Back for 13159	28	42267	Hex Head Screw M8x10 Inox for 13159	44
43804	Carter Micro 50-75 Single Blade 50-80-100 for 13159	13	42252	Flyer M10 for 13159	29	42268	Revolving Wheel with Brake Cart for 13159	45
43805	Inox Nut M5 for 13159	14	42253	Carter 50-75 kg. Single Blade V1 for 13159	30	42269	Freeze Rotation Basin for 13159	46
43806	Locking Nut Stainless M8 for 13159	15	42254	Screw Head CA Esainc Zincata M8x20 for 13159	31			
43807	Screw Hex Head Galvanized M10x25 for 13159	16	42255	Bracket Locking Carter Single Blade for 13159	32			