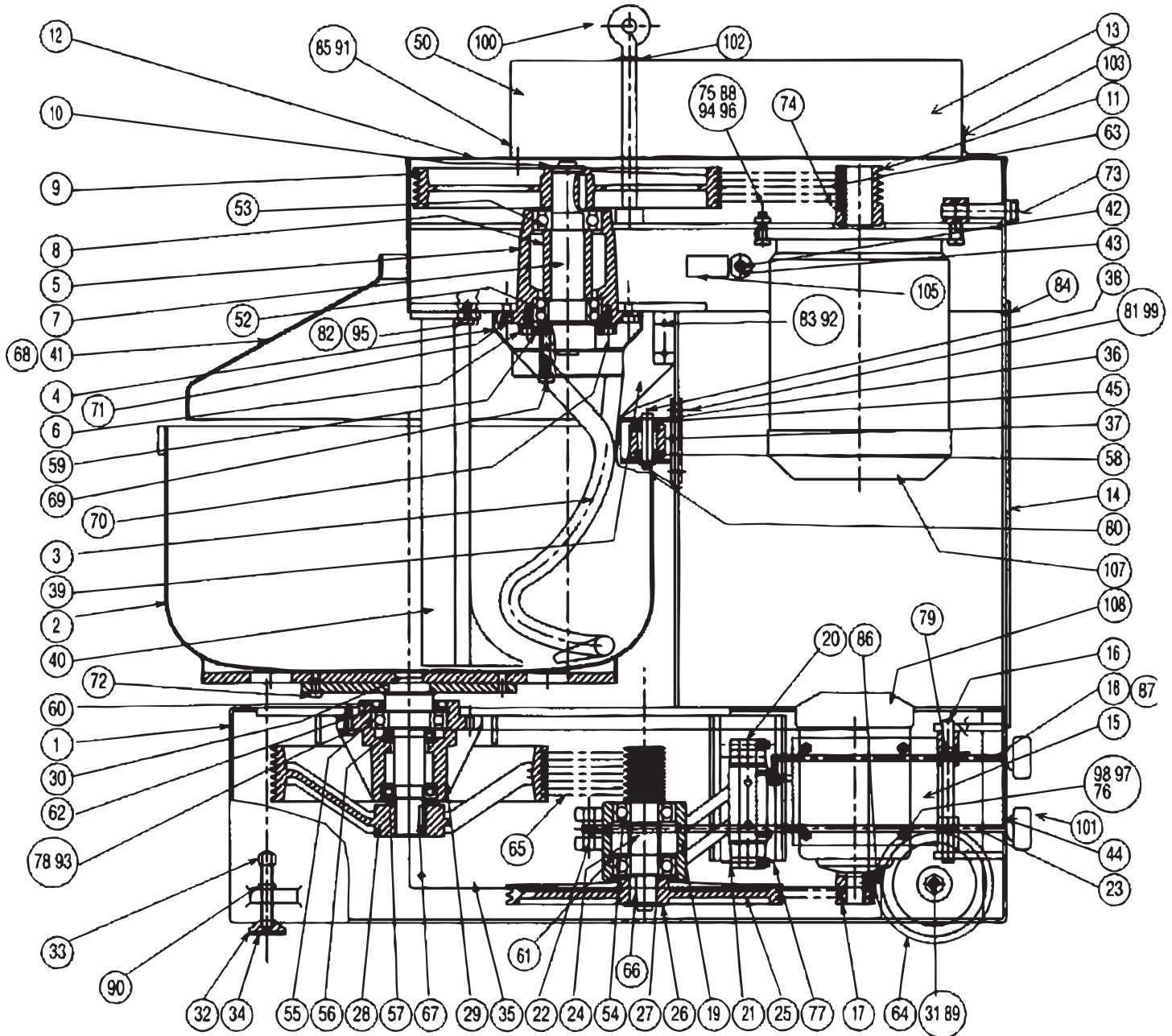


PARTS BREAKDOWN

ITEM	MODEL
13175	MX-IT-0080



PARTS BREAKDOWN

ITEM	MODEL
13175	MX-IT-0080

Item No.	Description	Position	Item No.	Description	Position	Item No.	Description	Position
63007	Base for 13175	1	63033	Pulley 2" Reducing Vask Control for 13175	28	63120	Sealing Ring for 13175	60
63008	Tube for 13175	2	63034	Support for Tank Vacuum Door for 13175	29	63062	Seeger for 13175	61
63009	Spiral for 13175	3	63035	Spindle Tub for 13175	30	63063	Seeger for 13175	62
63010	Spiral Flange Cap Cover for 13175	4	63036	Wheelchair for Wheels for 13175	31	63064	Trapezoid Belts for 13175	63
63011	Spiral Shaft Support for 13175	5	63114	Support Disk for 13175	32	63065	Wheels for 13175	64
63012	Spiral Shaft Flange for 13175	6	63115	Complete Support Disc for 13175	33	63066	Trapezoid Belts for 13175	65
63013	Spiral Shaft for 13175	7	63116	Shock for 13175	34	63067	Tab for 13175	66
63014	Spacer for Spiral Shaft for 13175	8	63038	Vertical Lateral Removal for 13175	35	63068	Tab for 13175	67
63015	Spiral Control Pulley for 13175	9	63039	Bowl Support Roller Bracket for 13175	36	63069	Elastic Spine for 13175	68
63016	Washer for 13175	10	63040	Roll Leather Support for 13175	37	63121	Screw M12x50 for 13175	69
63017	Spiral Motor Pulley for 13175	11	63041	Rubber Stainless Steel Pipe for 13175	38	63122	Screw M8x25 for 13175	70
63018	Shelter Headed for 13175	12	63042	Stainless Steel and Stainless Steel for 13175	39	63086	Screw M10x25 Zinc for 13175	71
63019	Electrical System for 13175	13	63043	Vertical Bar for 13175	40	63086	Screw M10x25 Zinc for 13175	72
63020	Rear Vertical Rear for 13175	14	63044	Protection for 13175	41	63123	Screw M12x70 for 13175	73
63021	Support for Motor Control Panel for 13175	15	63045	Tree for Protection for 13175	42	63124	Screw M8x12 for 13175	74
63022	Cylinder for Mounting Engine Support for 13175	16	63046	Micro Control Lever for 13175	43	63125	Screw M12x40 for 13175	75
63023	Pulley Tank Engine for 13175	17	63117	Plastic Washer for 13175	44	63126	Screw M8x25 for 13175	76
63024	Tirante for Vasca Engine for 13175	18	63118	Washer for Roller Support for 13175	45	63127	Screw M10x20 for 13175	77
63025	Tendicinghia Takes for 13175	19	63051	Electrical System for 13175	50	63080	Screw M10x35 Zinc for 13175	78
63026	Tendicinghia Lever for 13175	20	63119	Bearing 3211 for 13175	52	63128	Screw M8x12 for 13175	79
63027	Tennis Length for Tendicinghia Lever for 13175	21	63053	Bearing 63092RS for 13175	53	63129	Screw M10x20 for 13175	80
63028	Tennis for Tendering Handle for 13175	22	63054	Bearing 63082RS for 13175	54	63086	Screw M10x25 Zinc for 13175	81
63029	Tendering Life Tirante for 13175	23	63055	Bearing 6212 for 13175	55	63130	Screw M6x10 for 13175	82
63030	Tree with Puleggia for 13175	24	63056	Bearing 51209 for 13175	56	63131	Screw M6x10 for 13175	83
63031	Pulley 1" Reducing Vask Control for 13175	25	63057	Bearing 62082RS for 13175	57	63132	Screw M5x15 for 13175	84
63113	Washer for 13175	26	63058	Bearing 62022RS for 13175	58	63133	Screw M5x10 for 13175	85
63032	Length Distance for Lamar Pulley for 13175	27	63060	Sealing Ring A Din 3760 80x100x10 for 13175	59	63134	Screw M6x8 for 13175	86

PARTS BREAKDOWN

ITEM	MODEL
13175	MX-IT-0080

Item No.	Description	Position	Item No.	Description	Position	Item No.	Description	Position
63090	Nut M10 for 13175	87	63140	Rosetta 13x24 for 13175	94	63099	Horizontal Hole M10 for 13175	101
63135	Nut M12 for 13175	88	63141	Rosetta 10.5x5x21 for 13175	95	63100	Closing Hole for Golf for 13175	102
63091	Nut M16 Zinc for 13175	89	63142	Rosetta 15x28 for 13175	96	63145	Hinges with Screws for 13175	103
63136	Nut M16 Nickel for 13175	90	AI199	Nut M8 for 13175	97	63102	Position Switch FR 601 for 13175	105
63137	Rosetta 5.3x10 for 13175	91	63143	Rosetta 8.4x17 for 13175	98	63146	Motor for 13175	107
63138	Rosetta 6.4x12.5 for 13175	92	63144	Rosetta 8.4x17 for 13175	99	63147	Motor for 13175	108
63139	Rosetta 10.5x21 for 13175	93	63098	Lifting Hook for 13175	100			