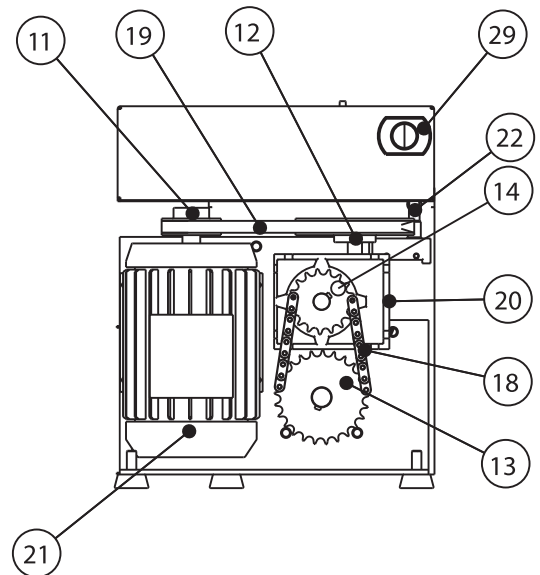
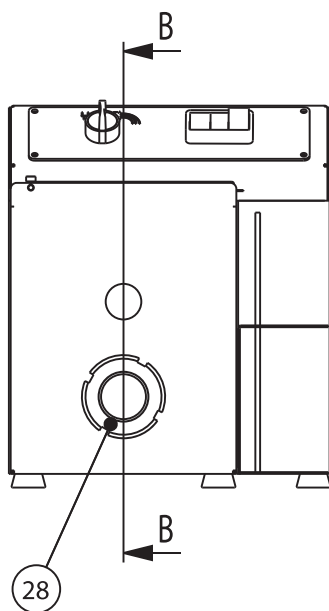
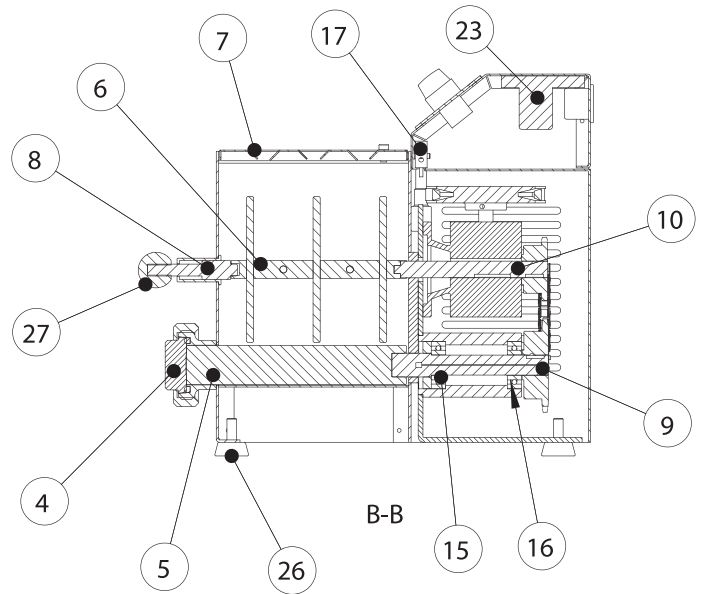
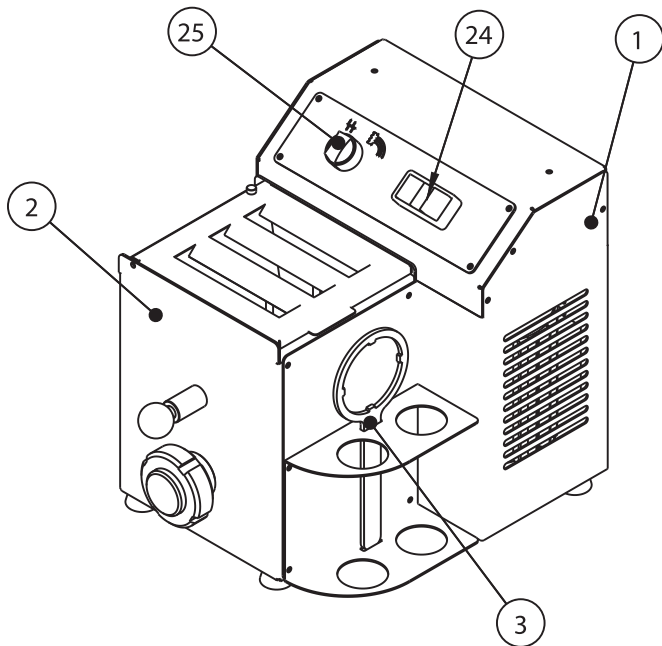


PARTS BREAKDOWN

ITEM	MODEL
13319	PM-IT-0002-R



PARTS BREAKDOWN

ITEM	MODEL
13319	PM-IT-0002-R

Item No.	Description	Position	Item No.	Description	Position	Item No.	Description	Position
AR564	Rear Casing Red for 13319	1	42542	Pulley Diameter 50 SPZ 1 for 13319	11	42552	Motor 63 220 Volt 50/60 Hz for 13319	21
42533	Tank for 13319	2	42543	Pulley Diameter 100 SPZ 1 for 13319	12	42553	Micro Switch for 13319	22
42534	Key for 13319	3	42544	Pinion Z=25 3/8" for 13319	13	42554	Complete Electric Kit for 13319	23
42535	Cap Sleeve for 13319	4	42545	Pinion Z=17 3/8" for 13319	14	42555	Start/Stop Button for 13319	24
42536	Worm for 13319	5	42546	Bearing 7203 BEP for 13319	15	42556	Reverse for 13319	25
42537	Mixer for 13319	6	42547	Bearing 6230 2RS for 13319	16	42557	Foot for 13319	26
42538	Cover for 13319	7	42548	Cam for Microswitch for 13319	17	42558	Knob for 13319	27
42539	Shaft for 13319	8	42549	Chain and Coupling 3/8" for 13319	18	42559	Locking Ring for 13319	28
42540	Shaft for Screw for 13319	9	42550	Belt Z 18 1/2" for 13319	19	42560	Cable Gland for 13319	29
42541	Shaft for Gear for 13319	10	42551	Reductor RT28 1/28 with Flange for 13319	20			