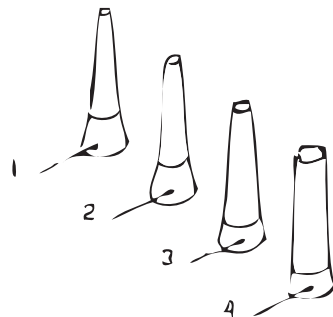
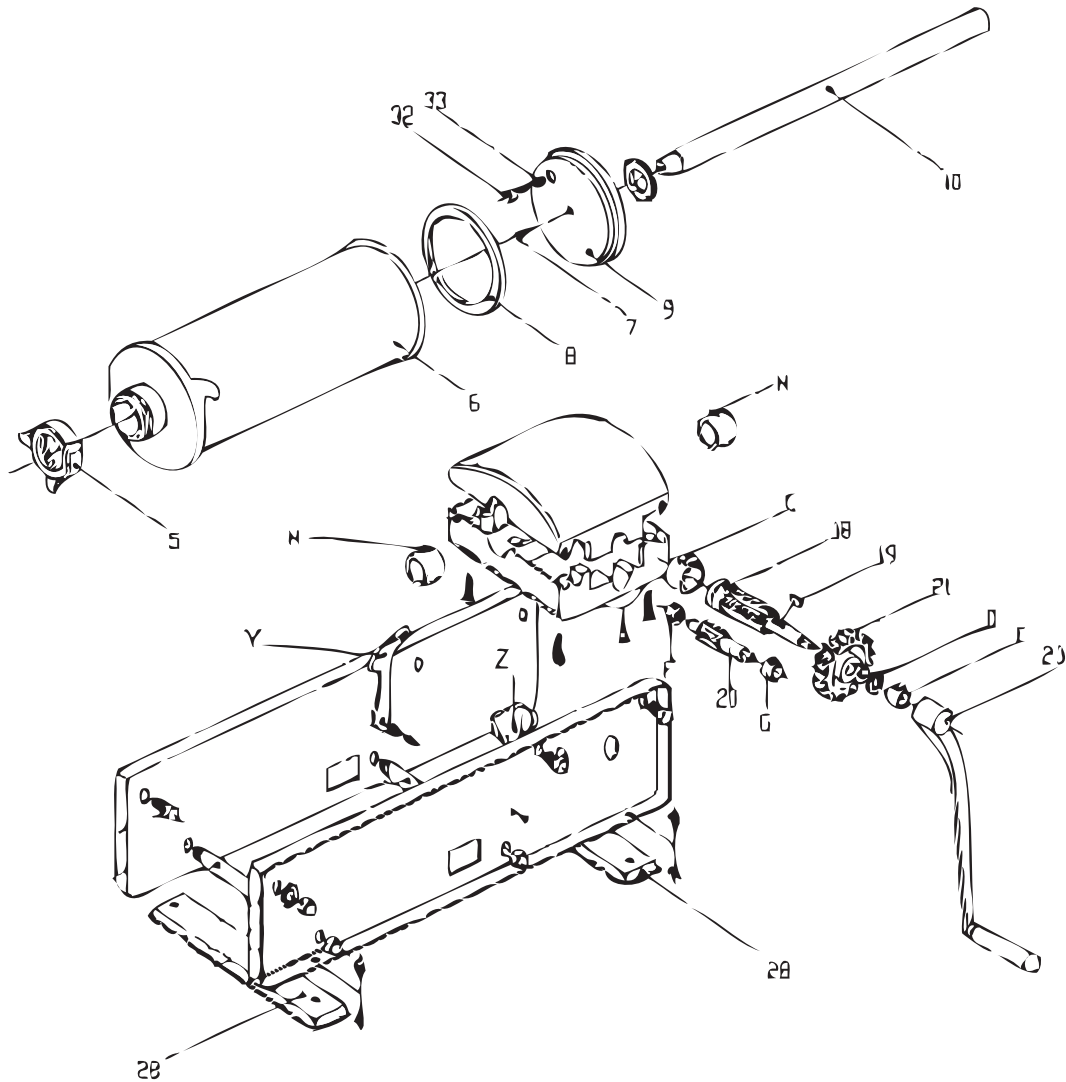


Parts Breakdown

Item 13738



$32+33= 132$
 $8+9= 108$
 $Y+Z= 13$
 $C+D+E+F+G+H=44$

Parts Breakdown

Item 13738

Item No.	Description	Position	Item No.	Description	Position	Item No.	Description	Position
10124	Plastic Stuffer Spout 10mm for 13738	1	15286	Gasket Silicone for 13738	8	15283	Handle for 13738	23
10125	Plastic Stuffer Spout 20mm for 13738	2	66998	Rack for 13738	10	27642	Foot for 13738	28
10126	Plastic Stuffer Spout 30mm for 13738	3	66999	Cylinder Holder for 13738	13	24837	Plastic Bushing Kit for 13738	44
10127	Plastic Stuffer Spout 40mm for 13738	4	15289	Rack Controlling Shaft for 13738	18	15284	Piston and Gasket for 13738	108
15279	Screw Ring for 13738	5	20037	Key for 13738	19	15313	Air Valve and Spring for 13738	132
21254	Cylinder for 13738	6	15288	Pinion for 13738	20	27639	Complete Gear Block for 13738	
15285	Piston Screw for 13738	7	18655	Reducer Wheel for 13738	21			