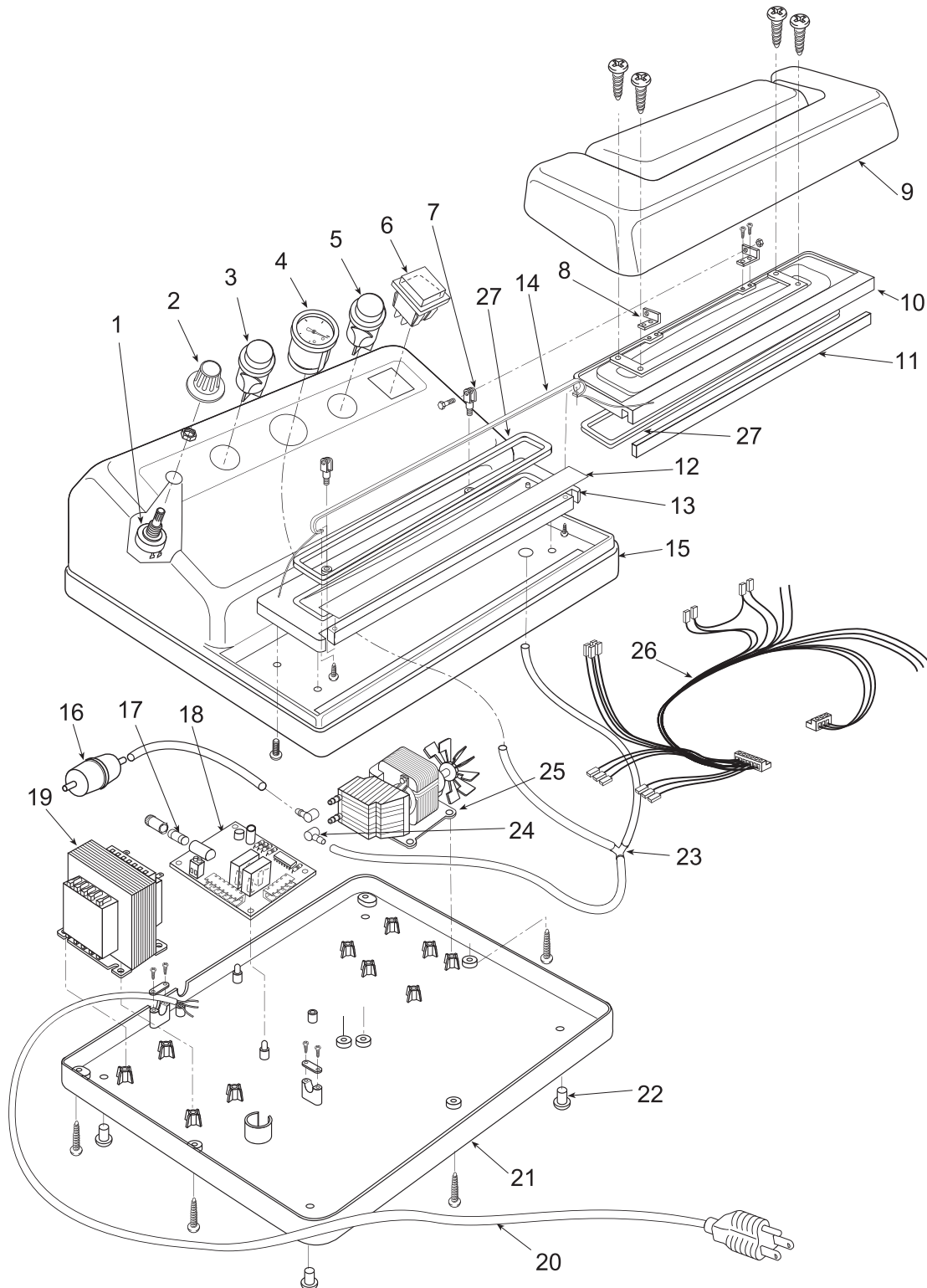


Parts Breakdown

Model VP-IT-0330 14407



Parts Breakdown

Model VP-IT-0330 14407

Item No.	Description	Position	Item No.	Description	Position	Item No.	Description	Position
16552	Potentiometer for 14407	1	16556	Silicon Bar for 14407	11	16563	Base for 14407	21
16553	Time Regulator Knob for 14407	2	16557	Non-Stick Coating for 14407	12	39093	Rubber Feet for 14407	22
16554	Push Button for 14407	3, 5	16559	Element for 14407	14	39094	Draft Tube for 14407	23
17779	Vacuum Gauge for 14407	4	16560	Upper Cover for 14407	15	16564	Rubber Joint for 14407	24
39088	Main On - Off Switch for 14407	6	39090	Filter for 14407	16	16565	Vacuum Pump for 14407	25
17780	Pin for 14407	7	16561	Fuse for 14407	17	39095	Internal Cables for 14407	26
17781	Hinge for 14407	8	16562	Electronic Board for 14407	18	16566	Foam Gasket for 14407	27
39089	Chamber Cover for 14407	9	39091	Transformer for 14407	19	23826	Valve Kit for 14407	
19928	Chamber Fixed and Mobile Surfaces for 14407	10, 13	39092	Power Supply Cable for 14407	20			