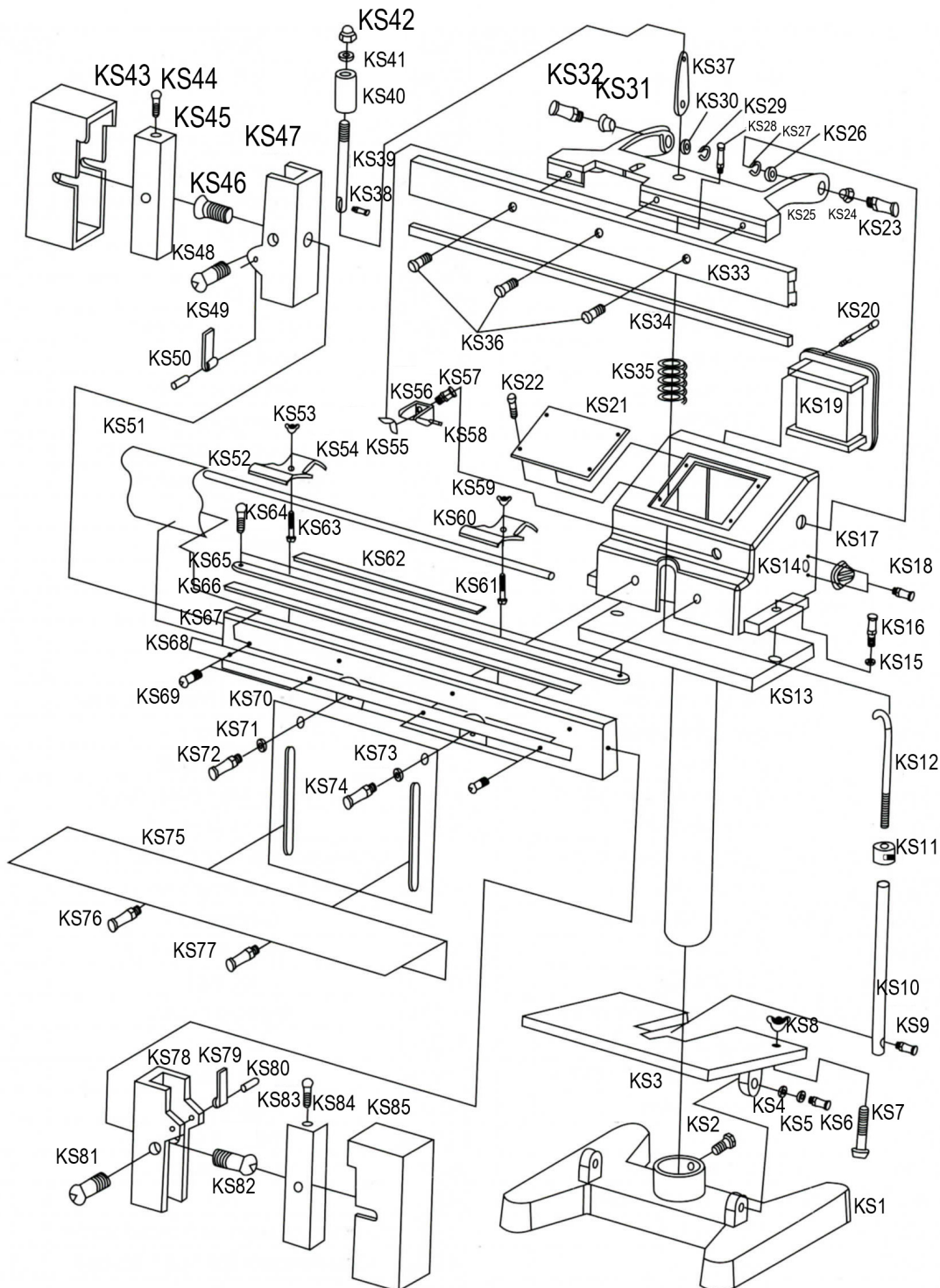


Parts Breakdown

Model SE-CN-0361 14433



Parts Breakdown

Model SE-CN-0361 14433

Item No.	Description	Position	Item No.	Description	Position	Item No.	Description	Position
75287	Machine Base for 14433	KS1	75311	Upper Sealing Shelf for 14433	KS25	75341	Touching Board for 14433	KS55-56
75288	Bolt for 14433	KS2	75312	Tetrafluorohydrazine Convention for 14433	KS26	75342	Switch Shelf for 14433	KS57-58
75289	Pedal Board for 14433	KS3	75313	Flexible Mat for 14433	KS27	75345	Butterfly Nuts for 14433	KS59
75290	Flat Washer for 14433	KS4	75314	Inner Hex Screw and Nut for 14433	KS28	75346	Pressor for 14433	KS60
75291	Nut for 14433	KS5	75315	Flexible Mat for 14433	KS29	75347	Bolt for 14433	KS61
75292	Bolt for 14433	KS6	75316	Flat Washer for 14433	KS30	75348	Insulated Pad for 14433	KS62
75293	Adjusting Bolt for 14433	KS7	75317	Tetrafluorohydrazine Convention for 14433	KS31	75349	Bolt for 14433	KS63
75294	Butterfly Nut for 14433	KS8	75318	Bolt Groups for 14433	KS32	75350	Countersink Flat Head Screws for 14433	KS64
75295	Bolt Groups for 14433	KS9	75319	Upper Sealing Silicon Fasten Block for 14433	KS33	75351	Heater for 14433	KS65
75296	Pedal Board Tie for 14433	KS10	17737	Silicon Rubber for 14433	KS34	75352	Insulated Pad for 14433	KS66
75297	Connecting Nut for 14433	KS11	75321	Spring for 14433	KS35	75353	Lower Sealing Fasten Base for 14433	KS67
75298	Coupling Tie for 14433	KS12	75322	Inner Hex Screw and Nut for 14433	KS36	75354	Polymer Pressor for 14433	KS68
75299	Upright Column Base for 14433	KS13	75323	Small Connecting Board for 14433	KS37	75355	Cross Recessed Pan Head Screw for 14433	KS69
75300	Machine Cover for 14433	KS14	75324	Flexible Pin for 14433	KS38	75356	Fasten Board of Working Table for 14433	KS70
75301	Nut for 14433	KS15	75325	Tie for 14433	KS39	75357	Flat Cushion for 14433	KS71
75302	Screw and Flat Gasket for 14433	KS16	75326	Rubber Cushion for 14433	KS40	75358	Bolts Groups for 14433	KS72
75303	Wire Guider for 14433	KS17	75327	Washer for 14433	KS41	75359	Flat Mat for 14433	KS73
75304	Cross Recessed Pan Head Screw for 14433	KS18	75328	Cap Nuts for 14433	KS42	75360	Bolts Groups for 14433	KS74
75305	Transformers and Back Cover for 14433	KS19	75329	Plastic Cover for 14433	KS43	75361	Flat Mat for 14433	KS75
75306	Bolt for 14433	KS20	75364	Ceramic Base for 14433	KS44-50	75358	Bolt Groups for 14433	KS76
75307	Operation Panel for 14433	KS21	75337	Polymer for 14433	KS51	75360	Bolt Groups for 14433	KS77
75308	Countersink Screw for 14433	KS22	75338	Axles for Polymer for 14433	KS52	75364	Ceramic Base for 14433	KS78-84
75309	Bolt Groups for 14433	KS23	75339	Butterfly Nut for 14433	KS53	75329	Plastic Cover for 14433	KS85
75310	Tetrafluorohydrazine Convention for 14433	KS24	75340	Hold-Down Plate for 14433	KS54	72308	Screw and Pin Assembly for 14433	