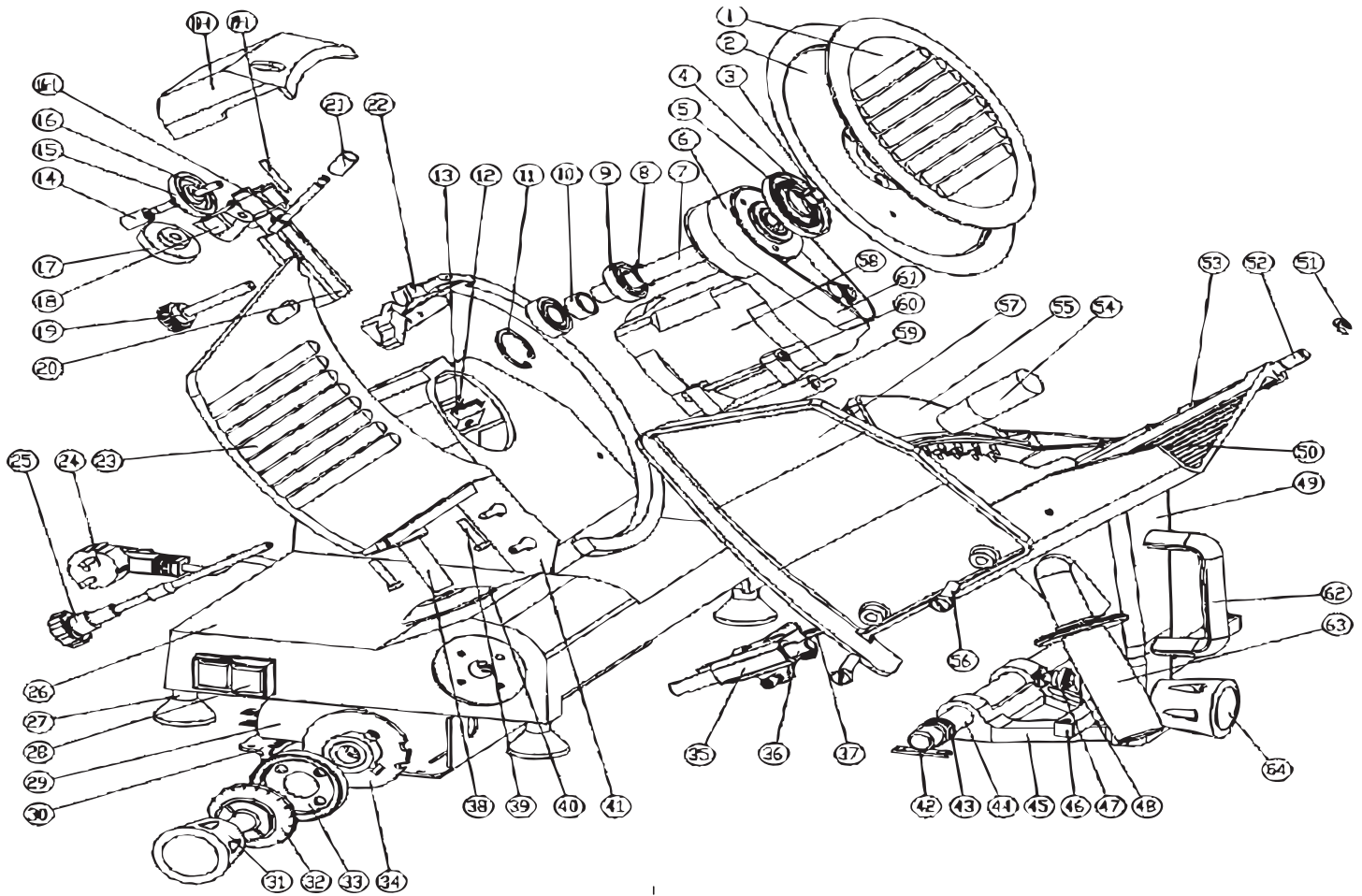


# Parts Breakdown

Model MS-CN-0250 19067





# Parts Breakdown

## Model MS-CN-0250 19067

Item No.	Description	Position	Item No.	Description	Position	Item No.	Description	Position
20626	Protection Plate for 19067	1	20609	Sharpening Controller for 19067	21	20581	Spring for 19067	43
20625	Knife for 19067	2	20614	Protection Circle for 19067	22	20642	Circle Orbit for 19067	44
20562	Screw for 19067	3	20663	Lockring Plate for 19067	23	20579	Sliding Core for 19067	45
AD412	Sealing Ring for Blade Shaft for 19067	4	20606	Wire for 19067	24	20637	Square Orbit for 19067	46
AD407	Sealing Ring for Blade Spindle for 19067	5	24146	Pull Pole with Black Knob for 19067	25	20578	Bearing of Spindle for 19067	47
20623	Sleeve of Knife for 19067	6	20662	Body for 19067	26	20577	Spindle for 19067	48
20622	Spindle of Knife for 19067	7	20599	Foot for 19067	27	20636	Sliding Stand for 19067	49
20555	Blocking Ring for 19067	8	27549	On/Off Switch 5 Pins 120VAC for 19067	28	20633	Carriage for 19067	50
20556	Bearing for 19067	9	20658	Capacitor for 19067	29	AD410	Circlip for 19067	51
20557	Isolating Sleeve for 19067	10	20659	Bottom Plate for 19067	30	20631	Sliding Pole for 19067	52
AD408	Blocking Ring for Hole for 19067	11	20590	Adjusting Handle Bar for 19067	31	AD411	Bearing for Pole of Carriage for 19067	53
20616	Microswitch for 19067	12	20591	Digital Plate for 19067	32	20634	Handbar of Pressing for 19067	54
AD409	Bracket for Microswitch for 19067	13	20592	Digital Ring for 19067	33	20632	Pressing for 19067	55
20609	Sharpening Controller for 19067	14	20588	Cams for 19067	34	20583	Screw for Plastic Board for 19067	56
20610	Sharpening Wheel Black for 19067	15	20648	Sliding Holder for 19067	35	20635	Plastic Protection for 19067	57
20607	Spindle of Wheel for 19067	16	20646	Spindle for 19067	36	20628	Motor for 19067	58
20612	Spindle of Wheel for 19067	16-1	20585	Bolt for 19067	37	20568	Board of Motor for 19067	59
20613	Sharpening Wheel Green for 19067	17	20657	Stand of Locking Plate for 19067	38	20567	Hinge Spindle for 19067	60
20611	Stand of Wheel for 19067	18	20594	Screw for 19067	39	20627	Belt for 19067	61
20608	Cover of Wheel for 19067	18-1	20593	Waterproof Gasket for 19067	40	41686	U Type Handle for 19067	62
20605	Screw for 19067	19	20603	Scraping Board for 19067	41	20514	Holder Handlebar for 19067	64
20604	Stand of Sharpener for 19067	20	20582	Screw for 19067	42	25198	Complete Sharpening Assembly for 19067	