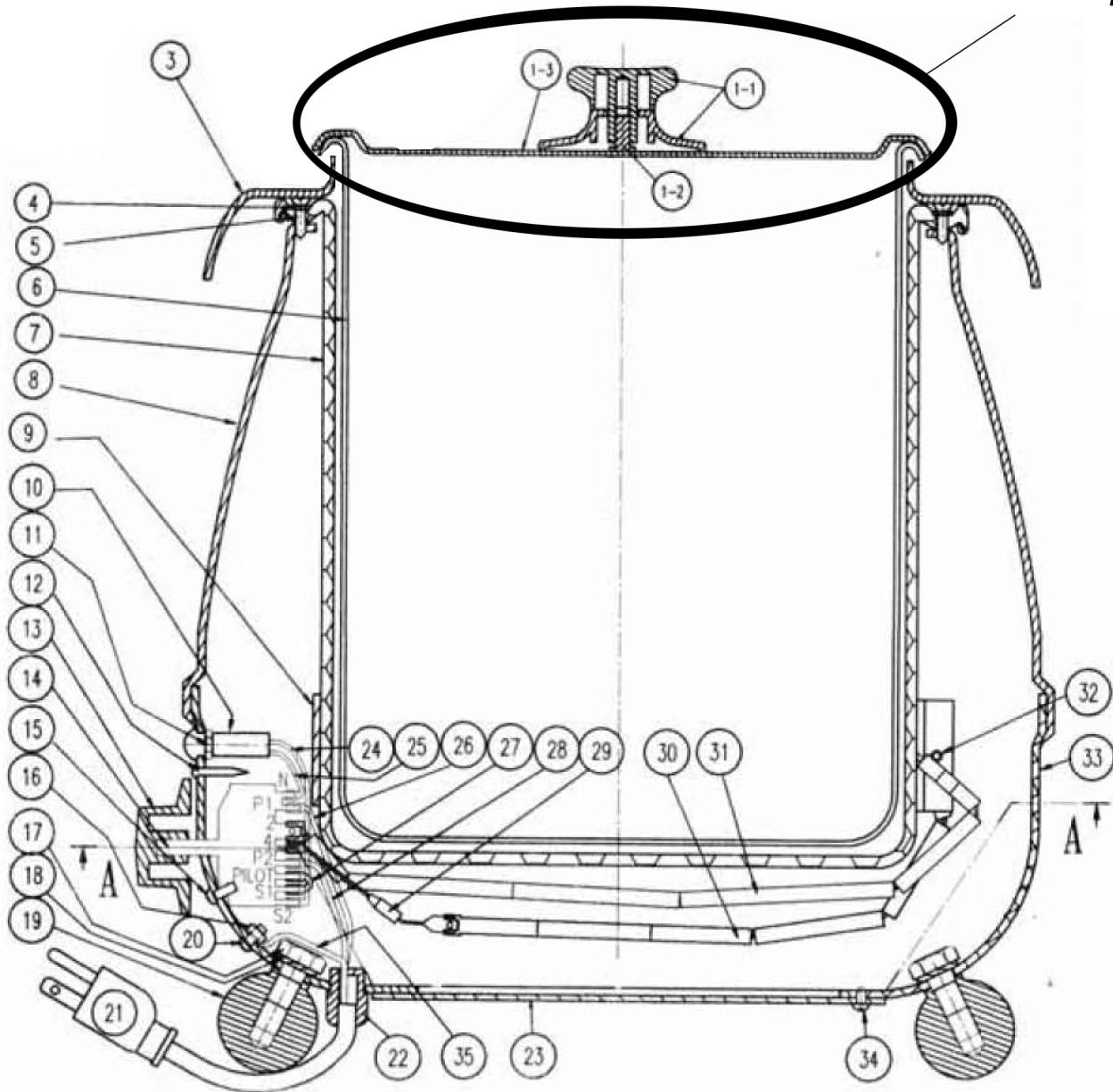


# Parts Breakdown

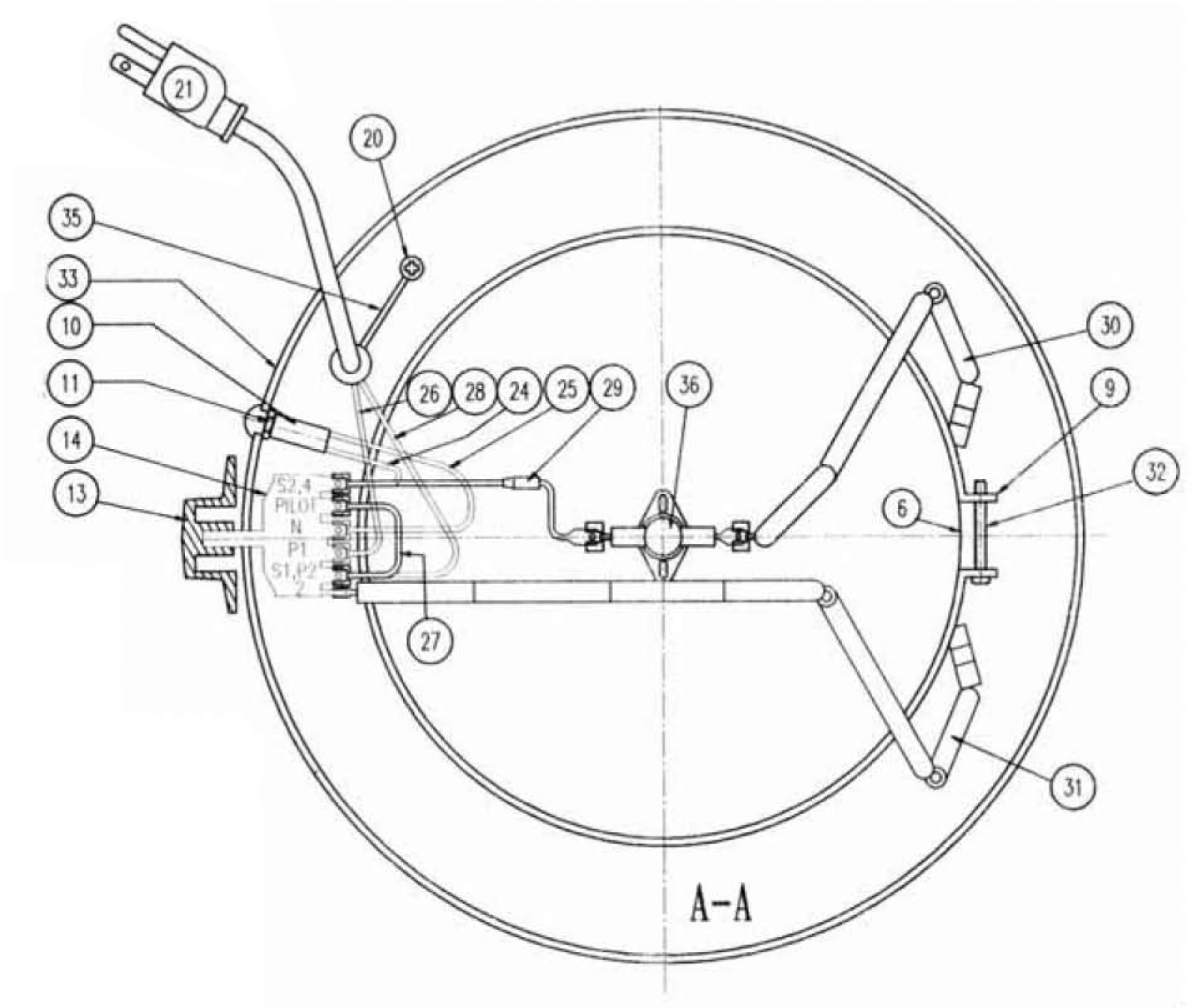
Model FW-CN-0010 19073

Sold Complete



# Parts Breakdown

Model FW-CN-0010 19073



# Parts Breakdown

## Model FW-CN-0010 19073

Item No.	Description	Position	Item No.	Description	Position	Item No.	Description	Position
31547	New Improved Lid for 19073	1.1 - 1.3	21071	Indicator Light for 19073	10, 11, 24, 25	21082	Chief Plug for 19073	21
21064	Ring Lid for 19073	3	21073	Red Plastic Sign for 19073	12	21083	Line Clamp for 19073	22
21065	Silicon Rubber Washer for 19073	4	63218	Turning Knob for 19073	13	21084	Protective Ground Connection for 19073	23
21066	M4x12 Stainless Steel Screw for 19073	5	21075	Thermostat for 19073	14, 26 - 28	21090	Thermal Cutoff Wire for 19073	29
21067	Stainless Steel Insert for 19073	6	21076	M4x6 Galvanized Screw for 19073	15	21095	M4x10 Screw for 19073	34
21068	Aluminum Kettle for 19073	7	21077	M4 Screw Cap for 19073	16	21096	Ground Line for 19073	35
21069	Upper Exterior for 19073	8, 33	21078	M10 Screw Cap (Three) for 19073	17 - 19	21097	Thermal Cut-Off for 19073	36
21070	Heating Element for 19073	9, 30 - 32	21081	M4x6 Galvanized Screw for 19073	20			