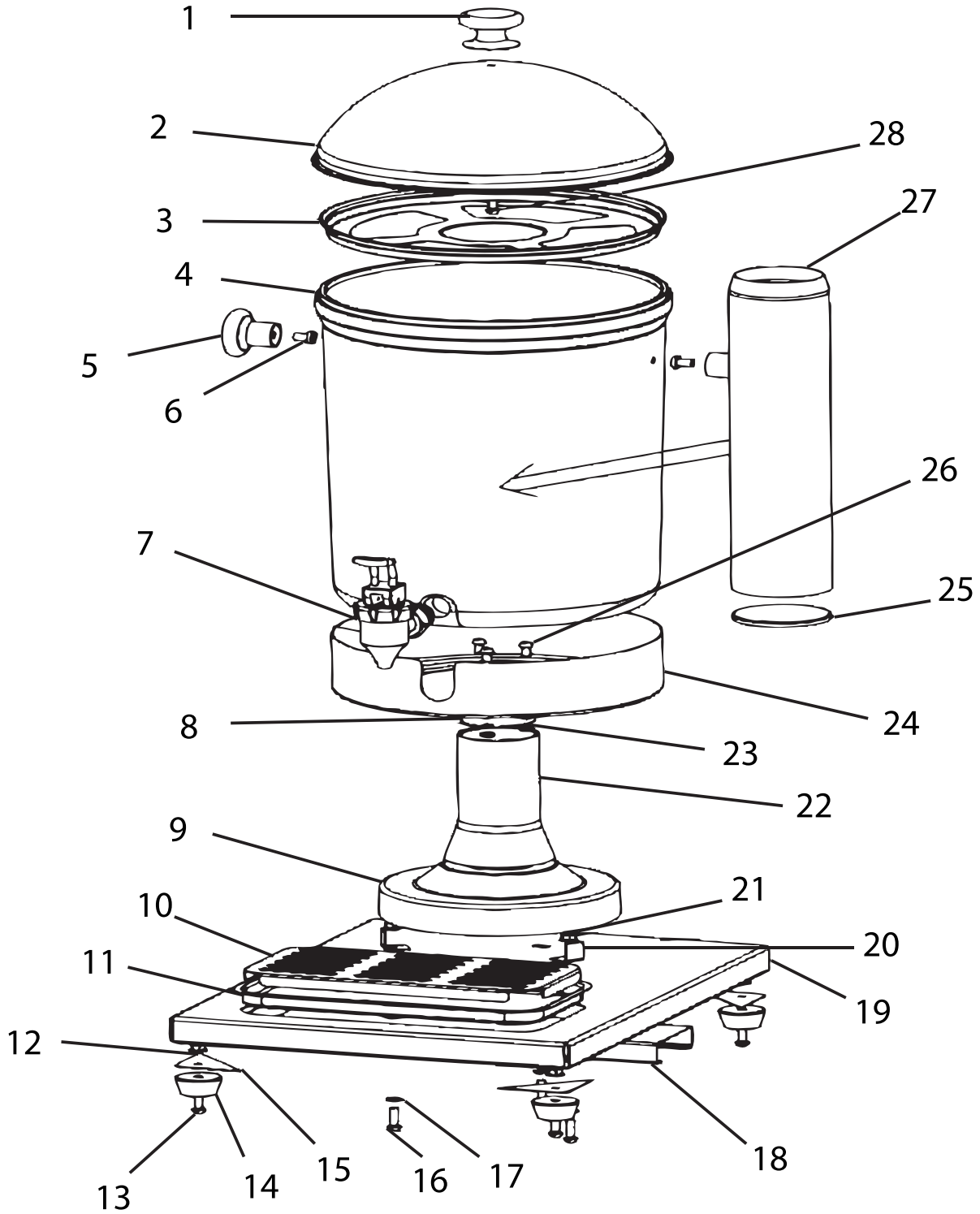


Parts Breakdown

Item 19478



Parts Breakdown

Item 19478

Item No.	Description	Position	Item No.	Description	Position	Item No.	Description	Position
31472	Top Handlebar for 19478	1	77976	Holder Seat Assembly for 19478	9	77974	Flat for 19478	17
31473	Lid for 19478	2	31478	Net Seat for 19478	10	77977	Screw for Holder for 19478	23
31474	Net for 19478	3	31479	Water Seat for 19478	11	77978	Tray for 19478	24
31475	PC Body for 19478	4	77970	F-Screw for 19478	12	31480	Ice Pipe for 19478	25, 27
31476	Handlebar for 19478	5	77971	Nut for 19478	13	77979	Bolt-3 for 19478	26
31477	Small Screw for 19478	6	77972	Feet for 19478	14	77980	Bolt for 19478	28
27956	Tap for 19478	7	77975	Board Assembly for 19478	15 - 21	79581	Handle Seals for 19478	
77969	Small Cover for 19478	8	77973	Bolt-1 for 19478	16			