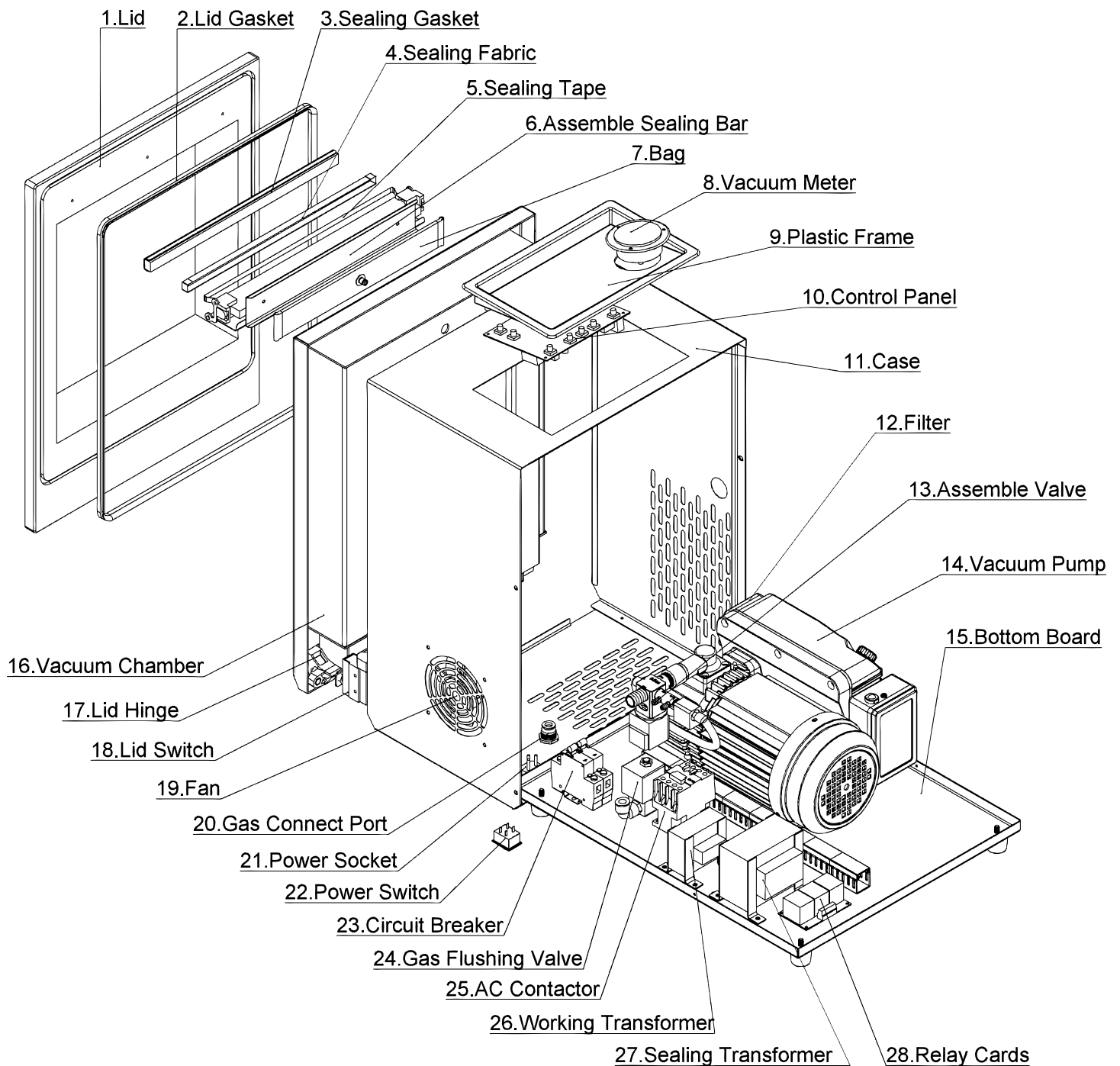


# Parts Breakdown

**Model VP-CN-1066** 19482



# Parts Breakdown

---

## Model VP-CN-1066 19482

Item No.	Description	Position	Item No.	Description	Position	Item No.	Description	Position
67606	Lid for 19482	1	67615	Control Panel for 19482	10	67624	Power Switch for 19482	22
20835	Lid Gasket per Meter for 19482	2	67616	Filter for 19482	12	67626	Circuit Breaker for 19482	23
67608	Sealing Gasket for 19482	3	67617	Assemble Valve for 19482	13	67625	Gas Flushing Valve for 19482	24
20836	Sealing Tape (Teflon) per Meter for 19482	4	67618	Vacuum Pump for 19482	14	67628	Working Transformer for 19482	26
20826	Sealing Wire (Metal) per Meter for 19482	5	67619	Lid Hinge for 19482	17	67629	Sealing Transformer for 19482	27
31290	Complete Sealer for 19482	6	67620	Lid Switch for 19482	18	67627	Relay Cards for 19482	28
67612	Gas Bag for 19482	7	67621	Fan for 19482	19	67630	PP Plate for 19482	
67613	Vacuum Meter for 19482	8	67622	Gas Connect Port for 19482	20			
67614	Plastic Frame for 19482	9	67623	Power Socket for 19482	21			