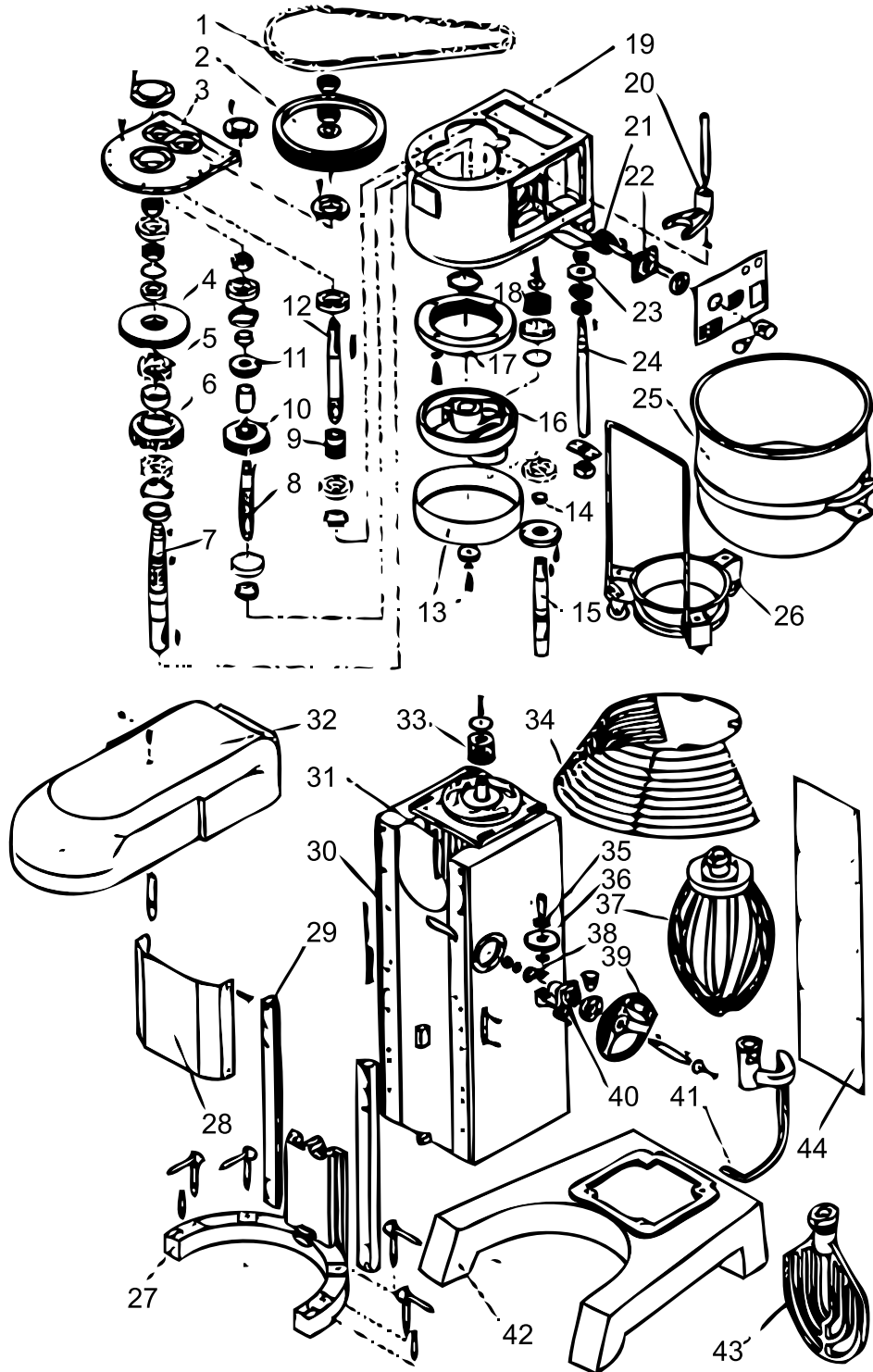


Parts Breakdown

Model MX-CN-0060 19999





Parts Breakdown

Model MX-CN-0060 19999

Item No.	Description	Position	Item No.	Description	Position	Item No.	Description	Position
24627	Belt for 19999	1	24642	Eccentricity Base for 19999	16	24657	Motor for 19999	31
24628	Big Belt Pulley for 19999	2	24643	Annular Gear Z=72 for 19999	17	24658	Top Cover for 19999	32
24629	Case Cover for 19999	3	24644	Gear Z=22 for 19999	18	24659	Belt Pulley for 19999	33
24630	Gear Z=60 for 19999	4	24645	Case for 19999	19	24660	Protecting Shield for 19999	34
24631	Jointer for 19999	5	24646	Fork for 19999	20	24661	Gear Z=22 for 19999	35
24632	Gear Z=48 for 19999	6	24647	Fork Gear for 19999	21	24662	Gear Z=36 for 19999	36
24633	Main Shaft for 19999	7	24648	Rack for 19999	22	24663	Wire Whip for 19999	37
24634	Middle Shaft for 19999	8	24649	Gear Z=27 for 19999	23	24664	Gear Z=22 for 19999	38
24635	Small Gear Z=15 for 19999	9	24650	Screw Pole for 19999	24	24665	Handle Wheel for 19999	39
24636	Gear Z=40 for 19999	10	24651	Bowl for 19999	25	24666	Rack for 19999	40
24637	Gear Z=26 for 19999	11	24652	Trailer for 19999	26	24667	Dough Arm for 19999	41
24638	Shaft for 19999	12	24653	Bowl Supporter for 19999	27	24668	Bottom Base for 19999	42
24639	Oil Collecting Tray for 19999	13	24654	Front Cover for 19999	28	24669	Flat Beater for 19999	43
24640	Oil Sealing for 19999	14	24655	Pressure Plate for 19999	29	24670	Back Cover for 19999	44
24641	Mixing Shaft for 19999	15	24656	Pedestal for 19999	30			