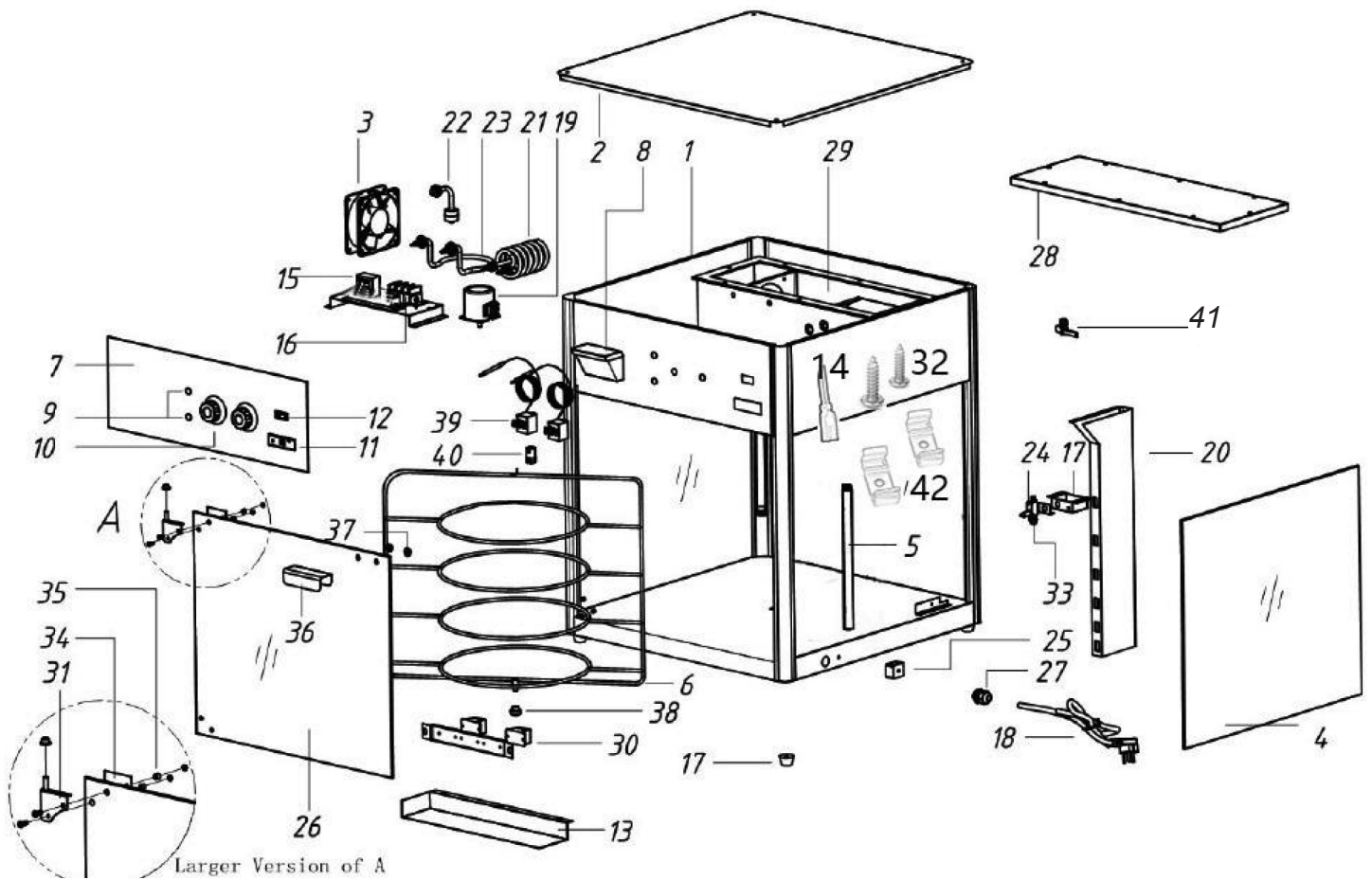


Parts Breakdown

Model DW-CN-0457 20427



Parts Breakdown

Model DW-CN-0457 20427

Item No.	Description	Position	Item No.	Description	Position	Item No.	Description	Position
25165	Hard Surface for 20427	1	37511	Terminal Block for 20427	16	23508	Door Magnet Hardware for 20427	31
25166	Top Cover for 20427	2	25167	Rubber Feet for 20427	17	AQ893	LED Tube Holder's Screw for 20427	32
25178	Draught Fan for 20427	3	24746	Plug and Power Cord for 20427	18	70406	Magnet for 20427	33
23914	Left/Right/Back Side Glass for 20427	4	25180	Motor for 20427	19	70407	Door Hinges B for 20427	34
AQ896	LED Tube for 20427	5	25176	Wind-Guiding Path for 20427	20	70408	Door Hinges Mat for 20427	35
25169	Rotary Shelf for 20427	6	25179	Ambient Heater Coil for 20427	21	70409	Door Handle for 20427	36
25175	PVC Board for 20427	7	25177	Float for 20427	22	70410	Rubber Gasket for 20427	37
25173	Infall Box for 20427	8	23507	Humidity Heater Coil for 20427	23	70411	Bearing for 20427	38
24707	Indicator Light-Specify Green/Orange for 20427	9	70404	Microswitch for 20427	24	70412	Thermostat for 20427	39
25172	Temperature Controller with Knob for 20427	10	37514	5 Hole Terminal Block for 20427	25	70413	Rotating Shaft Sleeve for 20427	40
25170	Temperature Indicator for 20427	11	25168	Glass Door for 20427	26	AC134	Drain Valve for 20427	41
25174	Boat Shaped Switch for 20427	12	70405	Power Cord Bushings for 20427	27	AQ894	LED Tube Holder for 20427	42
70403	Waterproof Board for 20427	13	37515	Heater Box Cover for 20427	28	AS174	Thermostat Probe Holder for 20427	
AQ895	LED Tube Plug for 20427	14	37516	Heater Box Assembly for 20427	29			
37510	Transformer for 20427	15	37496	Relay for 20427	30			