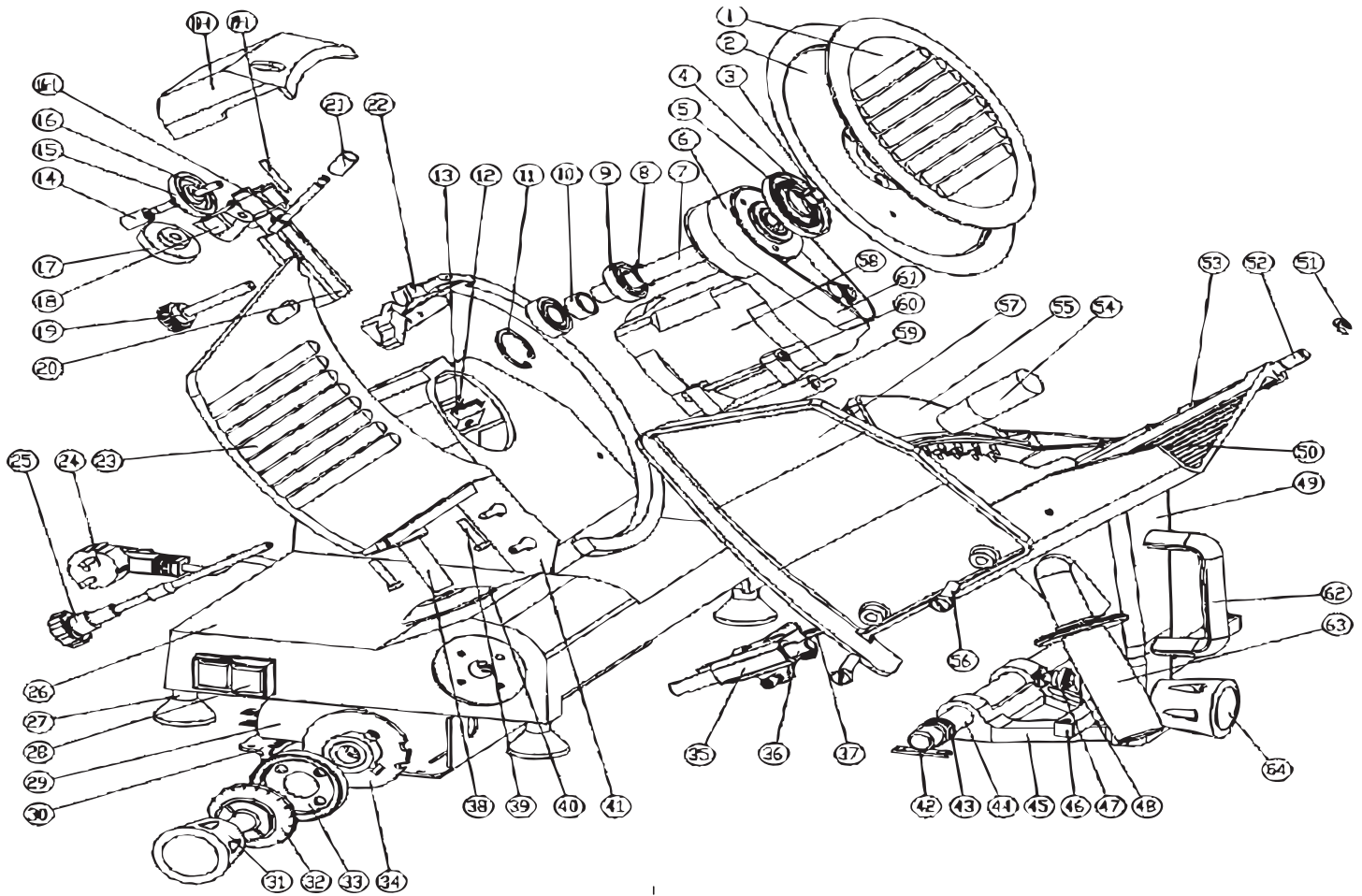


Parts Breakdown

Model MS-CN-0220 21629



Parts Breakdown

Model MS-CN-0220 21629

Item No.	Description	Position	Item No.	Description	Position	Item No.	Description	Position
20564	Protection Plate for 21629	1	20609	Sharpening Controller for 21629	21	20581	Spring for 21629	43
20563	Knife for 21629	2	20614	Protection Circle for 21629	22	20580	Circle Orbit for 21629	44
20562	Screw for 21629	3	20601	Lockring Plate for 21629	23	20579	Sliding Core for 21629	45
AD406	Sealing Ring for Blade Shaft for 21629	4	20606	Wire for 21629	24	20575	Square Orbit for 21629	46
AD407	Sealing Ring for Blade Spindle for 21629	5	20602	Pull Pole for 21629	25	20578	Bearing of Spindle for 21629	47
20561	Sleeve of Knife for 21629	6	20600	Body for 21629	26	20577	Spindle for 21629	48
20560	Spindle of Knife for 21629	7	20599	Foot for 21629	27	20574	Sliding Stand for 21629	49
20555	Blocking Ring for 21629	8	27549	On/Off Switch 5 Pins 120VAC for 21629	28	20571	Carriage for 21629	50
20556	Bearing for 21629	9	20596	Capacitor for 21629	29	AD410	Circlip for 21629	51
20557	Isolating Sleeve for 21629	10	20597	Bottom Plate for 21629	30	20569	Sliding Pole for 21629	52
AD408	Blocking Ring for Hole for 21629	11	20590	Adjusting Handle Bar for 21629	31	AD411	Bearing for Pole of Carriage for 21629	53
20616	Microswitch for 21629	12	20591	Digital Plate for 21629	32	20634	Handbar of Pressing for 21629	54
AD409	Bracket for Microswitch for 21629	13	20592	Digital Ring for 21629	33	20570	Pressing for 21629	55
20609	Sharpening Controller for 21629	14	20588	Cams for 21629	34	20583	Screw for Plastic Board for 21629	56
20610	Sharpening Wheel Black for 21629	15	20586	Sliding Holder for 21629	35	20573	Plastic Protection with Screw for 21629	57
20607	Spindle of Wheel for 21629	16	20584	Spindle for 21629	36	20566	Motor for 21629	58
20612	Spindle of Wheel for 21629	16-1	20585	Bolt for 21629	37	20568	Board of Motor for 21629	59
20613	Sharpening Wheel Green for 21629	17	20595	Stand of Lockring Plate for 21629	38	20567	Hinge Spindle for 21629	60
20611	Stand of Wheel for 21629	18	20594	Screw for 21629	39	20565	Belt 288mm x 22mm PU Material for 21629	61
20608	Cover of Wheel for 21629	18-1	20593	Waterproof Gasket for 21629	40	41686	U Type Handle for 21629	62
20605	Screw for 21629	19	20603	Scraping Board for 21629	41	20514	Holder Handlebar for 21629	64
20604	Stand of Sharpener for 21629	20	20582	Screw for 21629	42	42179	Complete Sharpening Assy. for 21629	