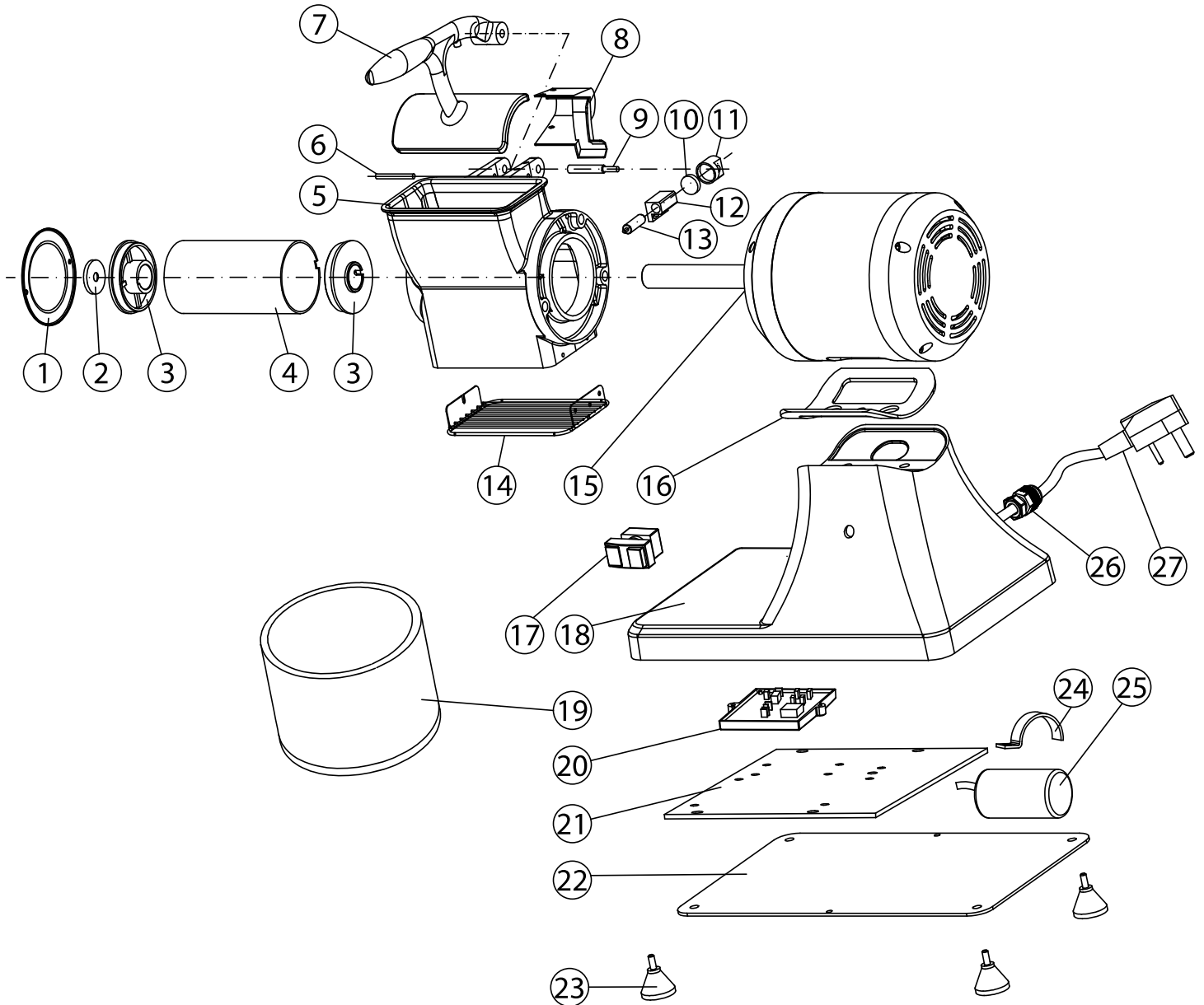


Parts Breakdown

Model GR-CN-0559 23991



Parts Breakdown

Model GR-CN-0559 23991

Item No.	Description	Position	Item No.	Description	Position	Item No.	Description	Position
31705	Plastic Cover for 23991	1	31720	Magnet for 23991	10	31738	Food Pan for 23991	19
31707	Pressing Cover for 23991	2	31721	Magnet Seat for 23991	11	63517	Process Control Board for 23991	20
AH182	Pressing Plate for 23991	3	31719	Microswitch Seat for 23991	12	63519	PCB Baseplate for 23991	21
31709	Roller for 23991	4	31718	Microswitch for 23991	13	31746	Bottom Plate for 23991	22
31713	Product Tub for 23991	5	31726	Shield with Brackets for 23991	14	31747	Rubber Foot for 23991	23
AH183	Round Pin for 23991	6	AH184	Motor for 23991	15	AH185	Capacitor Clamp (110V Only) for 23991	24
31711	Pressure Lever for 23991	7	31742	Rubber Pad for 23991	16	31745	Capacitor for 23991	25
31717	Cover for 23991	8	31739	On-Off Switch for 23991	17	31743	Cable Tie for 23991	26
31724	Rolling Shaft for 23991	9	31740	Body for 23991	18	31744	Cable and Plug for 23991	27