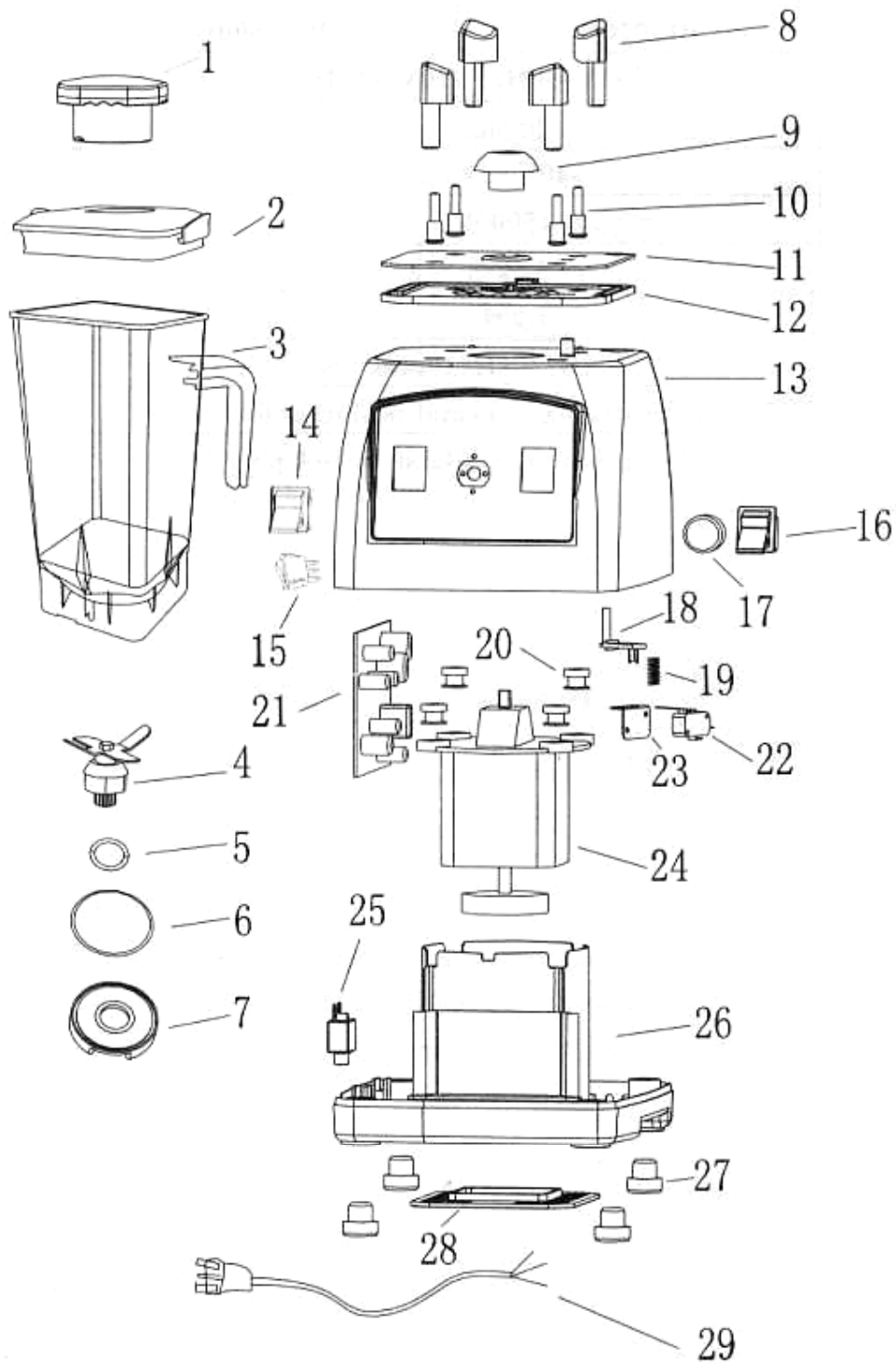


Parts Breakdown

Model **BL-CN-0002-B** 23997



Parts Breakdown

Model **BL-CN-0002-B** 23997

| Item No. | Description | Position | Item No. | Description | Position | Item No. | Description | Position |
|----------|--|------------|----------|--|-------------|----------|---------------------------------|----------|
| 27038 | Fill Cap for 23997 | 1 | 26145 | Pad (Rubber) for 23997 | 12 | 27768 | Safety Switch for 23997 | 22 |
| 26141 | Jug Lid for 23997 | 2 | 26147 | Top Cover (ABS Base) for 23997 | 13 | 78380 | Safety Switch Fitting for 23997 | 23 |
| 26142 | Jug for 23997 | 3 | 26149 | On/Off Switch for 23997 | 14 | 41013 | Fuse for 23997 | 25 |
| 37130 | Blade for 23997 | 4 | 37131 | Power Switch for 23997 | 15 | 26158 | Base for 23997 | 26 |
| 26144 | Blades Sealing for 23997 | 5 | 26151 | Pulse Switch for 23997 | 16 | 26157 | Rubber Feet for 23997 | 27 |
| 37535 | Jug Sealing for 23997 | 6 | 26150 | Speed Knob for 23997 | 17 | 78381 | Air Outlet Panel for 23997 | 28 |
| 37536 | Nut - Stainless Steel for 23997 | 7 | 41315 | Safety Switch Transmitter for 23997 | 18 | 78382 | Power Cable & Plug for 23997 | 29 |
| 26146 | Pad (Stainless Steel) with Positioning Pin and Screw for 23997 | 8, 10 - 11 | 26155 | Motor (1500W) with Spring and Shock Proof Ring for 23997 | 19 - 20, 24 | | | |
| 23998 | Clutch for 23997 | 9 | 26156 | PC Board for 23997 | 21 | | | |