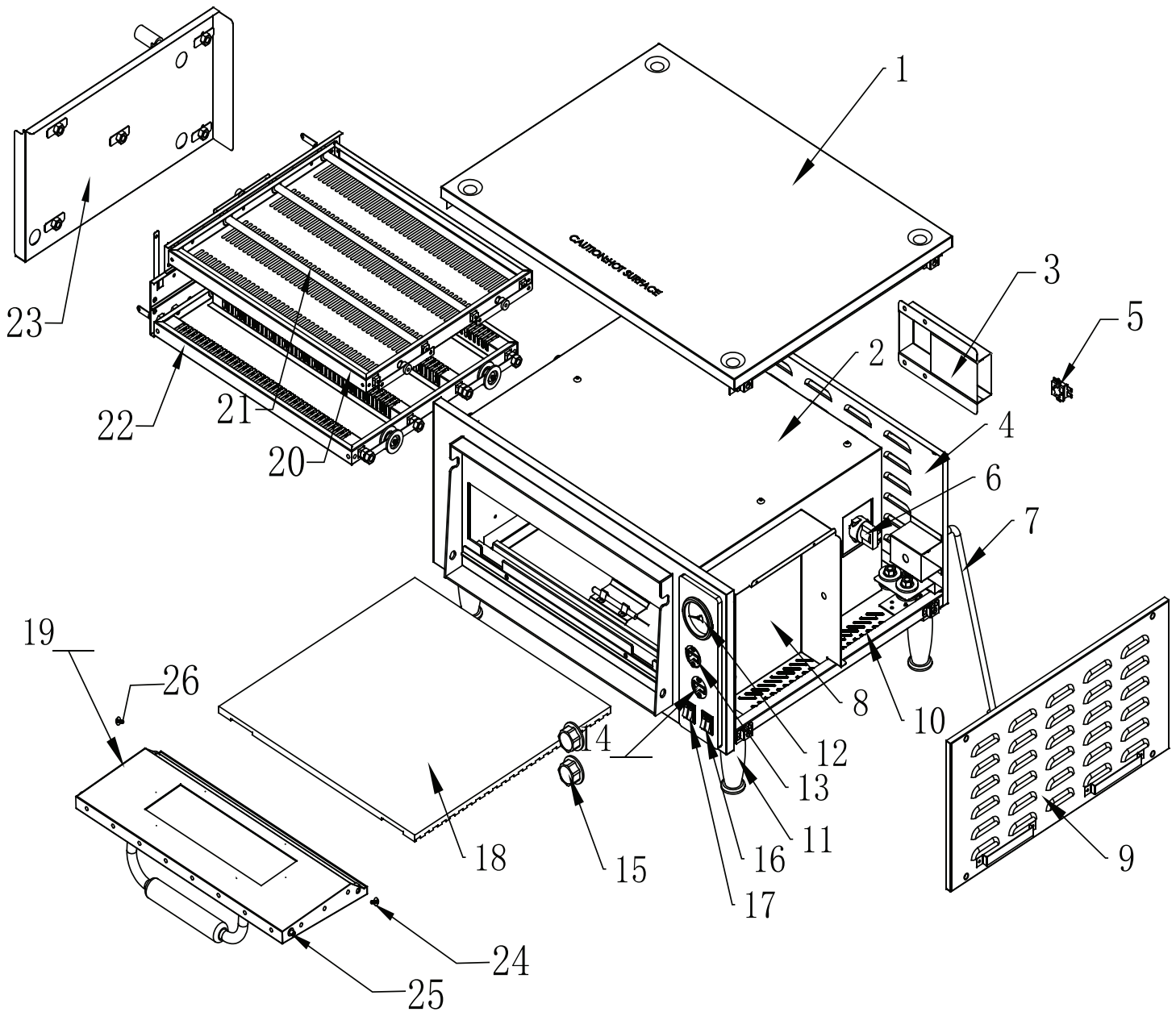


Parts Breakdown

Model PE-CN-1800-S 24210



Parts Breakdown

Model PE-CN-1800-S 24210

Item No.	Description	Position	Item No.	Description	Position	Item No.	Description	Position
78408	Top Cover for 24210	1	78415	Side Plates for 24210	9	78424	Brick for 24210	18
78409	Inside Spun Blanket Fixed Plate for 24210	2	78416	Bottom Cover for 24210	10	78425	Door for 24210	19
78410	Chimney for 24210	3	78417	Feet for 24210	11	78426	Top Protecting Plates for Box for 24210	20
78411	Back Plate for 24210	4	78418	Thermometer for 24210	12	78427	Element for 24210	21
78412	Thermal Cut Out for 24210	5	78419	Thermostat for 24210	13	78428	Bottom Protecting Plates for Box for 24210	22
AF725	Lamp 120V for 24210	6	78420	Timer for 24210	14	78429	Inside Plate for 24210	23
AR556	Bulb for 24210	6	78421	Dial for 24210	15	AR557	The Pin for Door for 24210	24
78413	Plug and Lead for 24210	7	78422	Switch (Yellow) for 24210	16	AR558	Reverse Thread Fixation for Door for 24210	25
78414	Insulation Plate for 24210	8	78423	Switch (Yellow-Green) for 24210	17	AR559	Positive Thread Fixation for Door for 24210	26