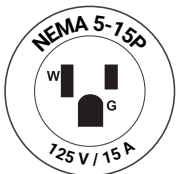
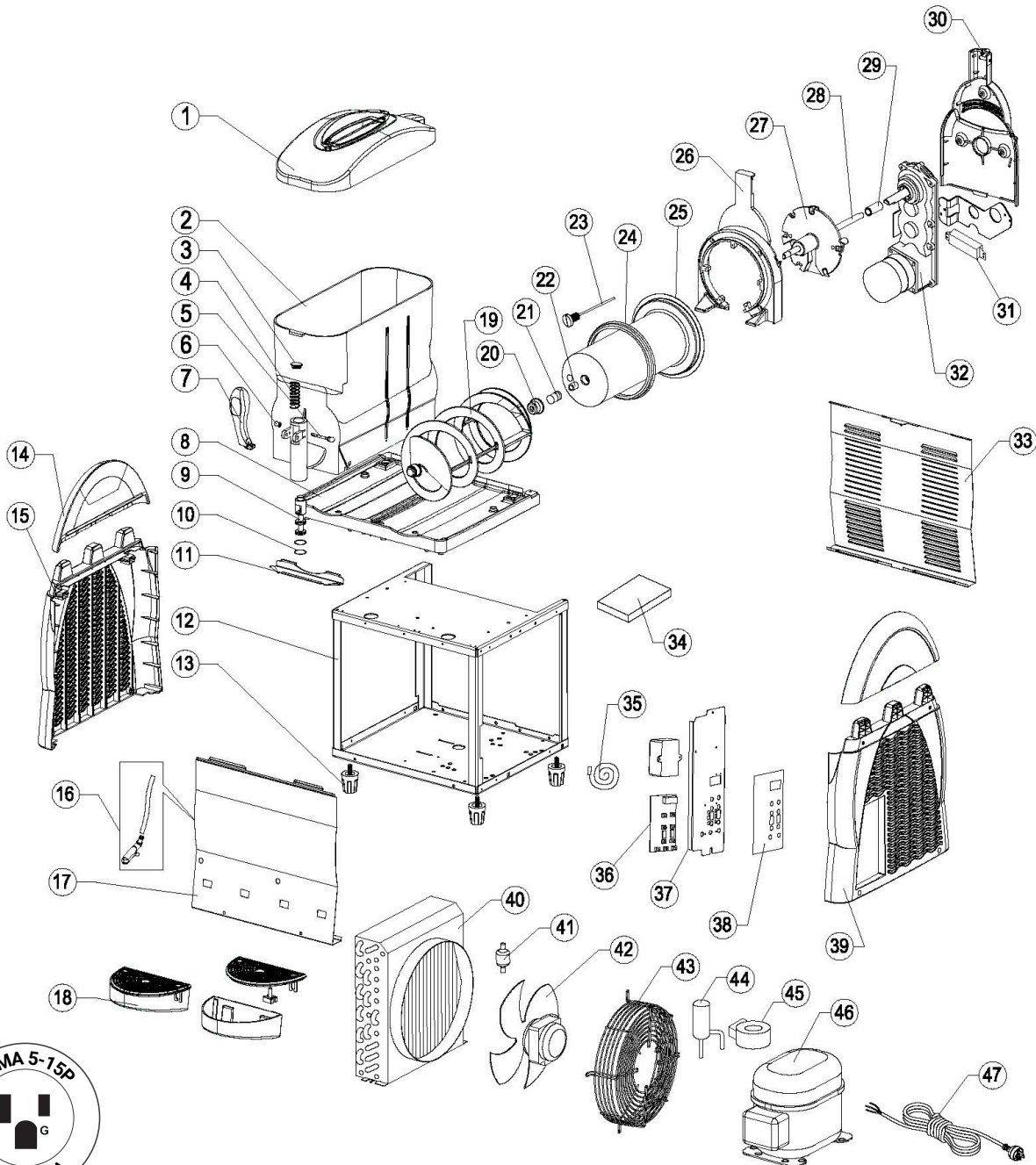


Parts Breakdown

Model DI-CN-0012-S 26058

Model DI-CN-0024-S 26059

Model DI-CN-0036-S 26060



Parts Breakdown

Model DI-CN-0012-S 26058

Model DI-CN-0024-S 26059

Model DI-CN-0036-S 26060

Item No.	Description	Position	Item No.	Description	Position	Item No.	Description	Position
AX015	BOWL COVER W/ LED LIGHT FOR 26058, 26059, 26060	1	AX026, AX048, AX056	FRONT COVER FOR 26058, 26059, 26060	17	AX035, AX049, AX058	REVER GUARD FOR 26058, 26059, 26060	33
AX016	BOWL FOR 26058, 26059, 26060	2	AX027	WATER TRAY ASSEMBLY FOR 26058, 26059, 26060	18	AX036	POWER SUPPLY FOR 26058, 26059, 26060	34
AX017	TAP SEAL FOR 26058, 26059, 26060	3	27996	AUGER FOR 26058, 26059, 26060	19	AX037	PROBE FOR SUCTION PIPE FOR 26058, 26059, 26060	35
27971	SPRING OF TAP FOR 26058, 26059, 26060	4	27995	SEAL OF AUGER FOR 26058, 26059, 26060	20	AX038, AX050, AX059	CONTROLLER FOR 26058, 26059, 26060	36
AX018	PIN OF HANDLE FOR 26058, 26059, 26060	5	41799	SEAL OF AXIS FOR 26058, 26059, 26060	21	AX039, AX051, 60391	CONTROL PANEL FOR 26058, 26059, 26060	37
AX019	NUT OF PIN FOR 26058, 26059, 26060	6	41800	WASHER OF AXIS FOR 26058, 26059, 26060	22	AX040, 41794	CONTROL PANEL STICKER FOR 26058, 26059, 26060	38
27973	HANDLE FOR 26058, 26059, 26060	7	AX028	SENSOR FOR 26058, 26059, 26060	23	AX041	RIGHT SIDE ENCLOSURE FOR 26058, 26059, 26060	39
27974, 27975, 27676	TOP PANEL FOR 26058, 26059, 26060	8	AX029	SEAL OF EVAPORATOR FOR 26058, 26059, 26060	24	28024, AX052	CONDENSER FOR 26058, 26059, 26060	40
AX020	LEVER OF TAP FOR 26058, 26059, 26060	9	28000	EVAPORATOR FOR 26058, 26059, 26060	25	AX042	DRY FILTER FOR 26058, 26059, 26060	41
AX021	SEAL OF TAP FOR 26058, 26059, 26060	10	AX030	SEAT OF EVAPORATOR (FRONT) 26058, 26059, 26060	26	28028, AX053	CONDENSER FAN MOTOR FOR 26058, 26059, 26060	42
27979	WATER GUIDER FOR 26058, 26059, 26060	11	28002	SEAT OF EVAPORATOR (INNER) 26058, 26059, 26060	27	74069, 74069	CONDENSER FAN MOTOR COVER FOR 26058, 26059, 26060	43
AX022, AX047, AX055	FRAME FOR 26058, 26059, 26060	12	28003	AXIS FOR 26058, 26059, 26060	28	AX043	ELECTRONIC EXPANSION VALVE BODY FOR 26058, 26059, 26060	44
AX023	LEG FOR 26058, 26059, 26060	13	AX031, AX057	CONNECTOR OF AXIS FOR 26058, 26059, 26060	29	AX044	ELECTRONIC EXPANSION VALVE COIL FOR 26058, 26059, 26060	45
27986	SIDE PANEL GUARD FOR 26058, 26059, 26060	14	AX032	REAR ENCLOSURE FOR 26058, 26059, 26060	30	AX045, AX054, AX060	COMPRESSOR FOR 26058, 26059, 26060	46
AX024	LEFT SIDE ENCLOSURE FOR 26058, 26059, 26060	15	AX033	eDRIVER FOR MOTOR FOR 26058, 26059, 26060	31	AX046	POWER CORD FOR 26058, 26059, 26060	47
AX025	DRAIN PIPE (SET) FOR 26058, 26059, 26060	16	AX034	GEAR MOTOR FOR 26058, 26059, 26060	32			