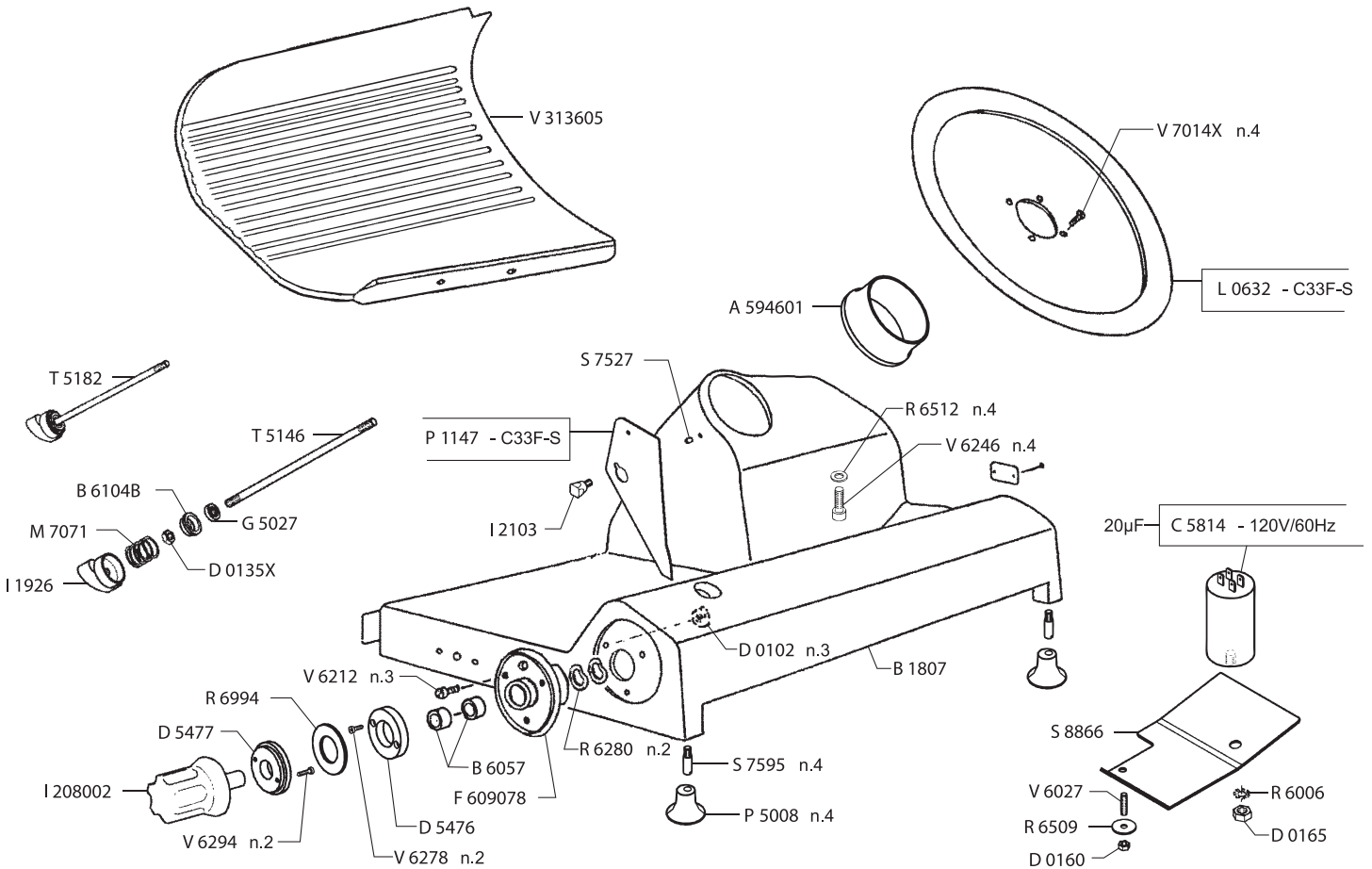


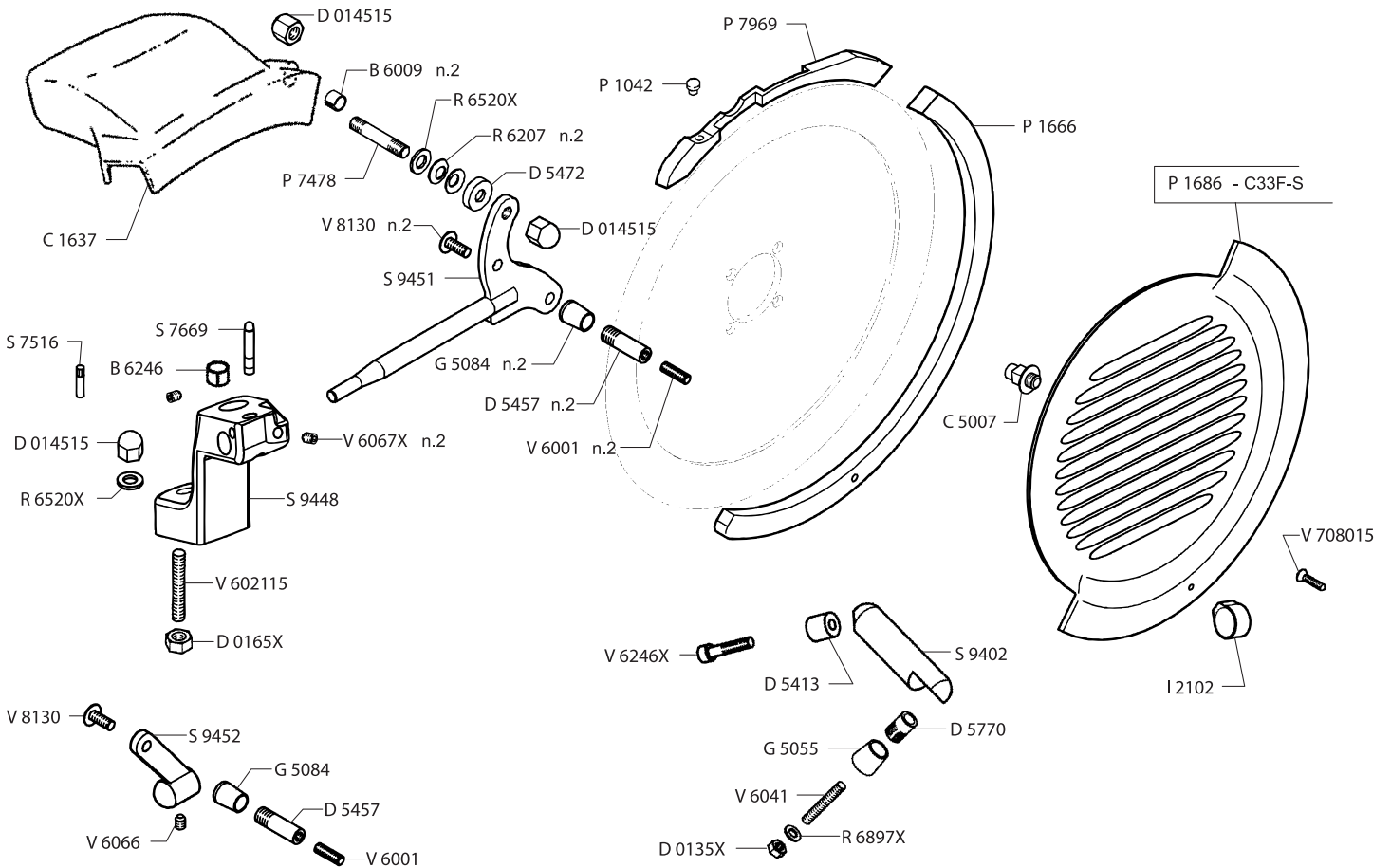
# Parts Breakdown

Model MS-IT-0330-F 31438



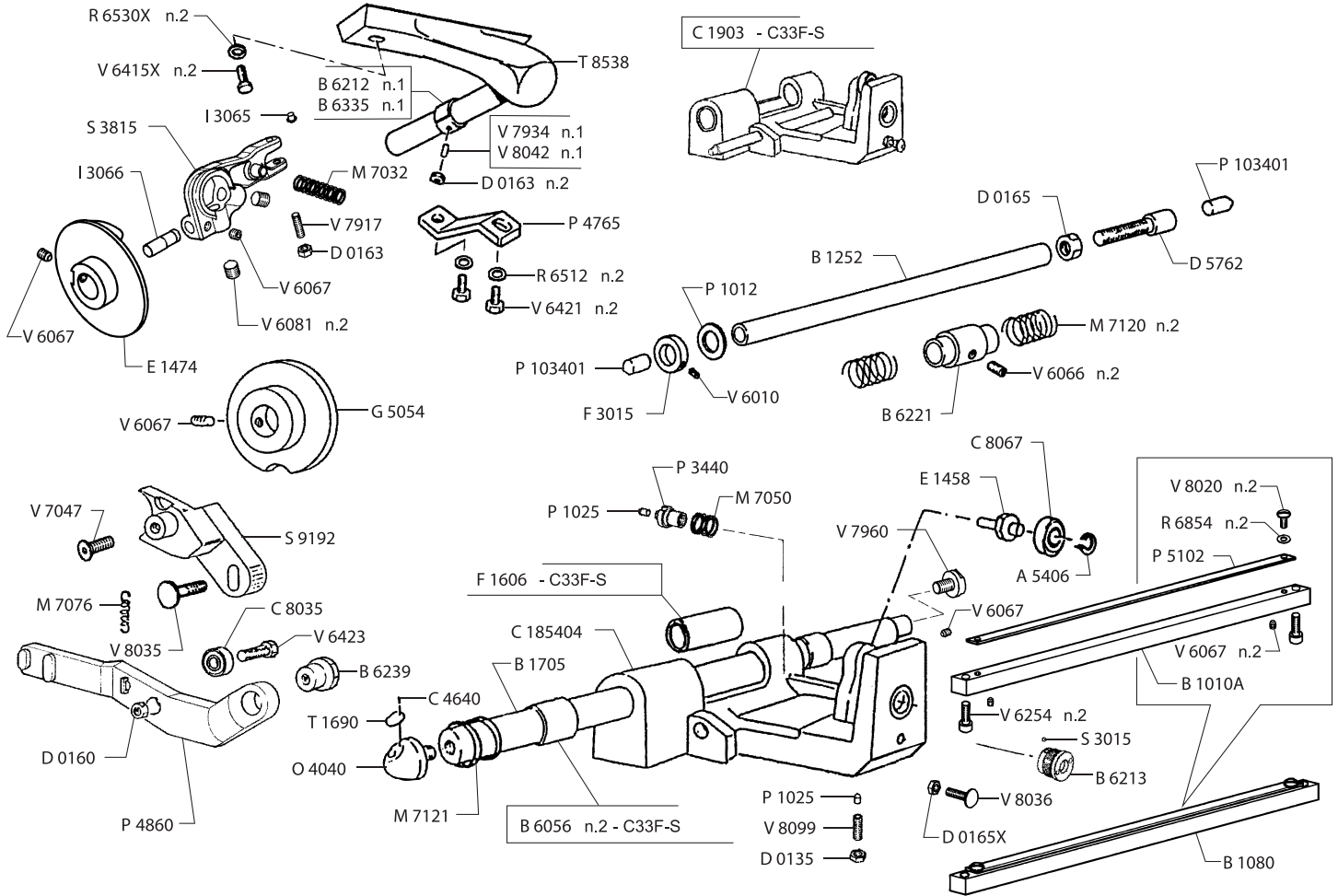
# Parts Breakdown

## Model MS-IT-0330-F 31438



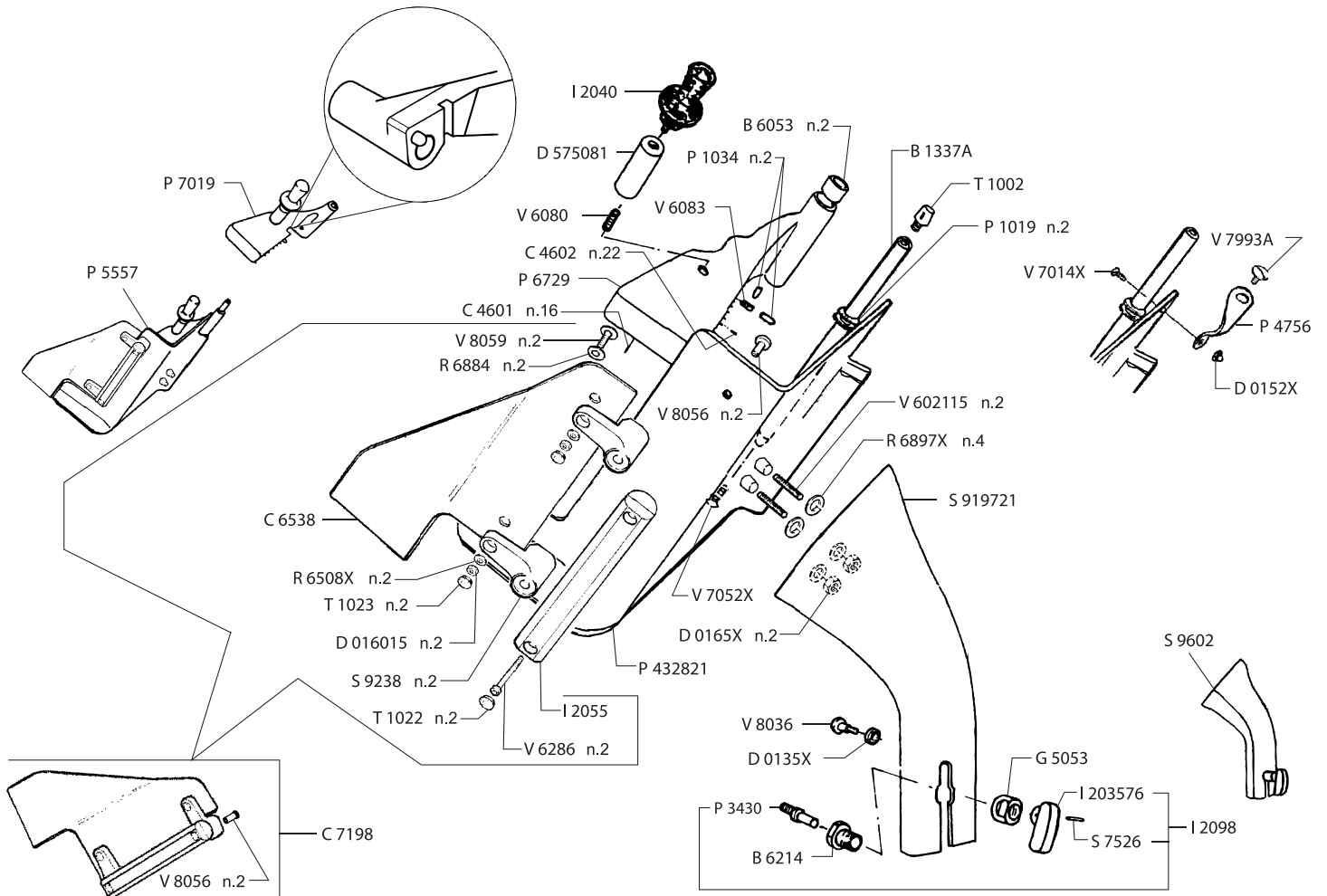
# Parts Breakdown

## Model MS-IT-0330-F 31438



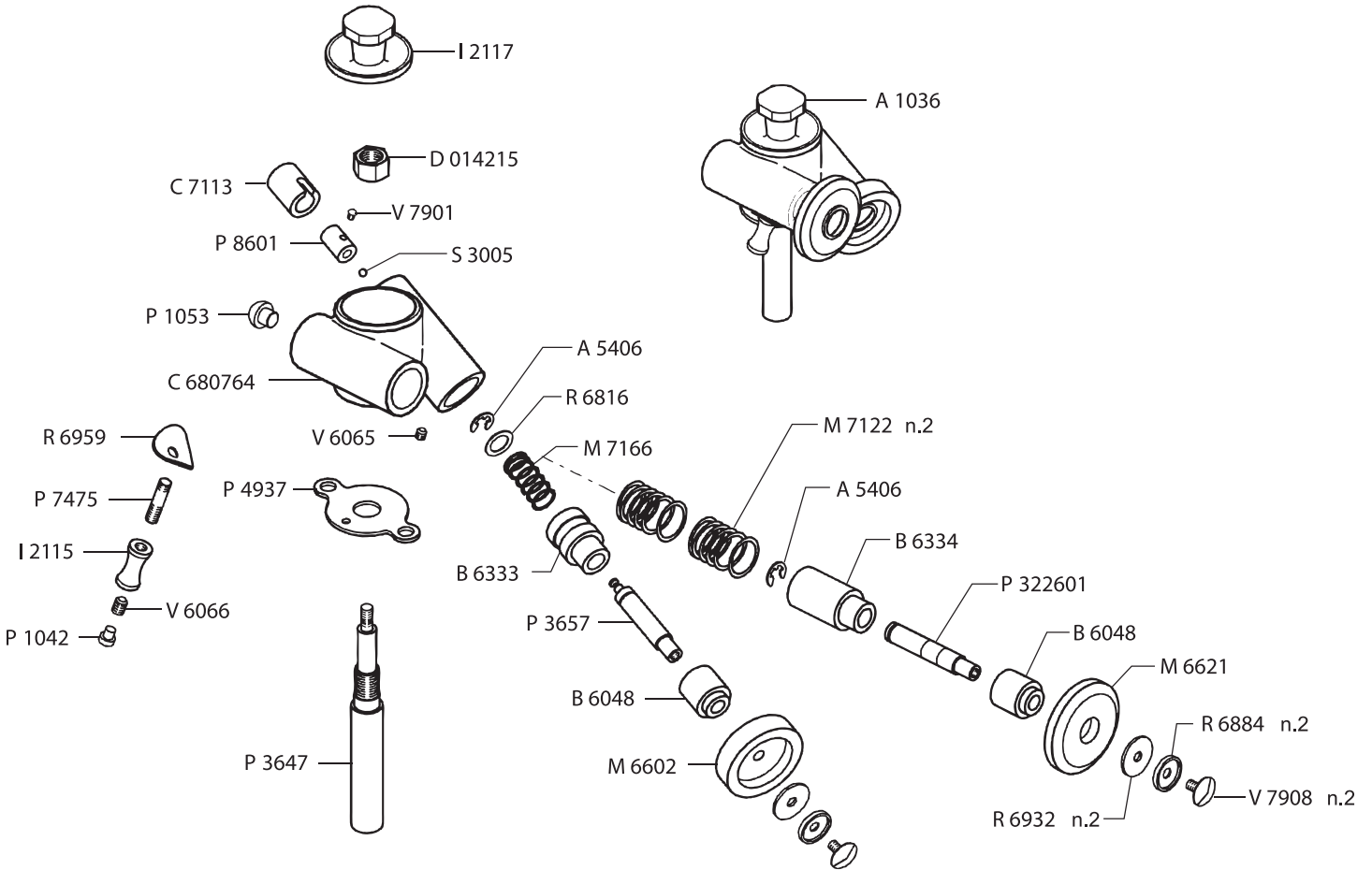
# Parts Breakdown

Model MS-IT-0330-F 31438



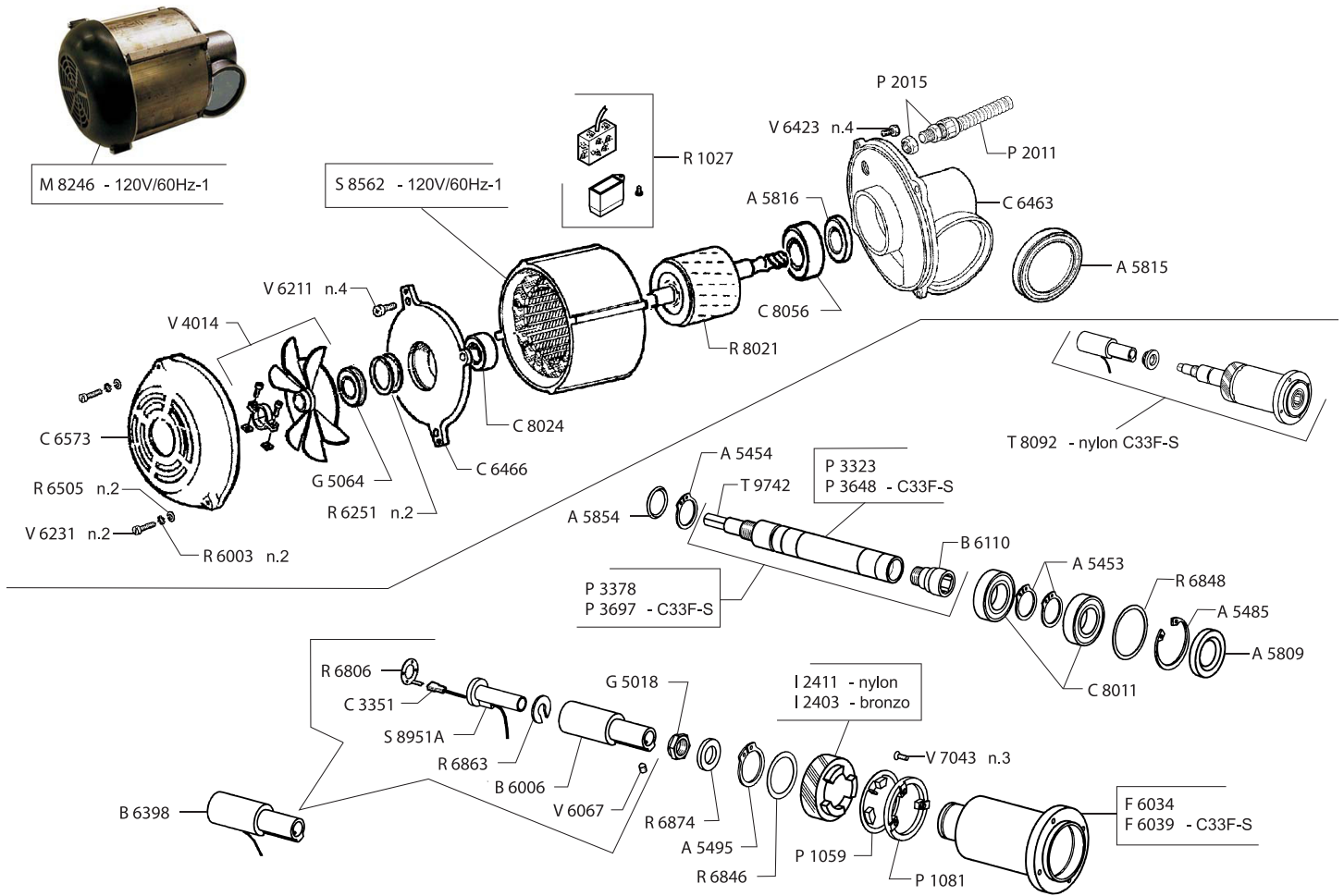
# Parts Breakdown

Model MS-IT-0330-F 31438



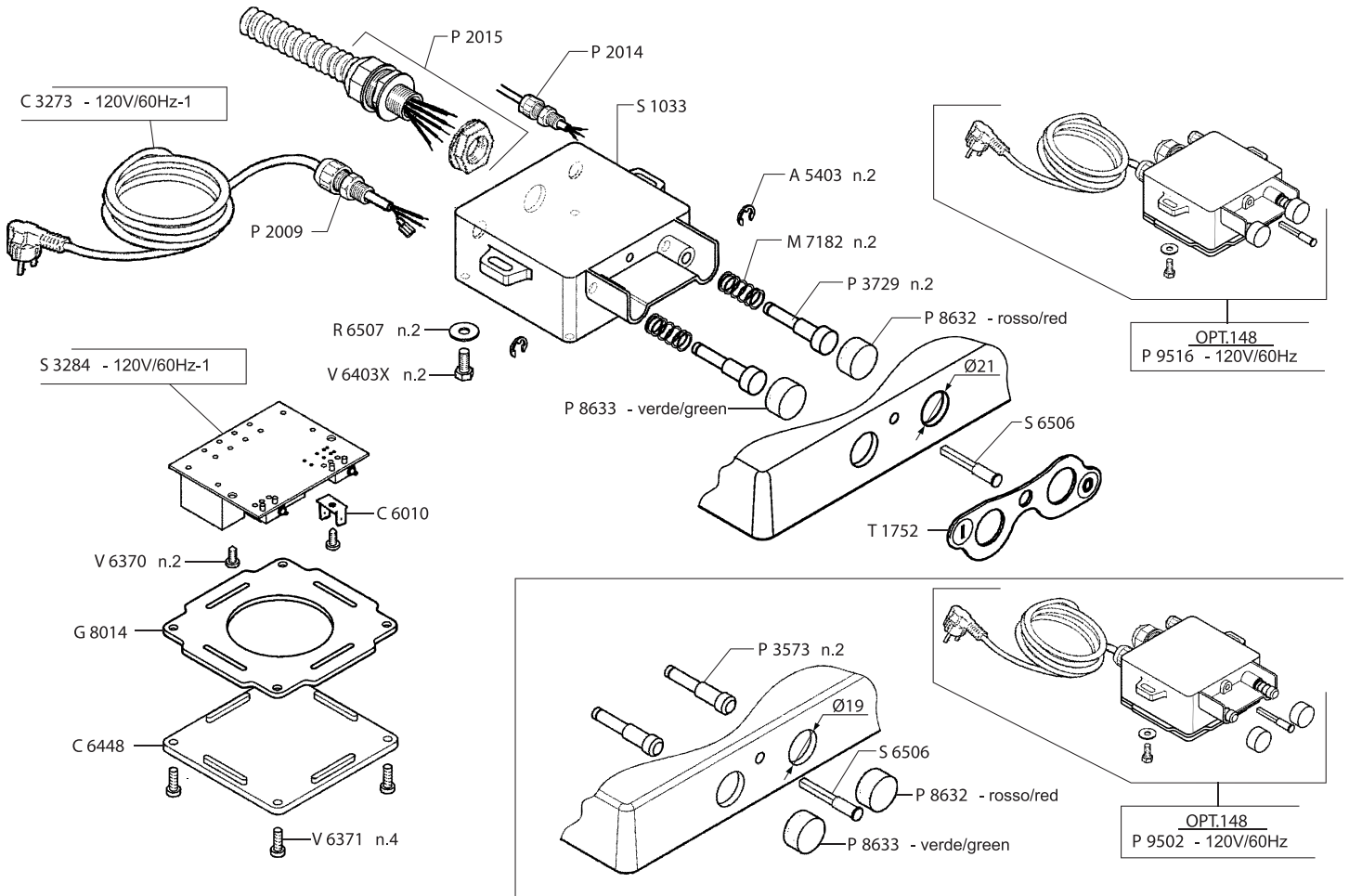
# Parts Breakdown

Model MS-IT-0330-F 31438



# Parts Breakdown

Model **MS-IT-0330-F** 31438



# Parts Breakdown

## Model MS-IT-0330-F 31438

Item No.	Description	Position	Item No.	Description	Position	Item No.	Description	Position
36535	Assy Sharpener for 31438	A1036	78677	Bushing Fastener Guard Knife C for 31438	B6398	36648	Nut U5588 M8 for 31438	D0165X
17279	Ring EL.Benzing 5 for 31438	A5403	36584	All Sharpener Cover for 31438	C1637	36653	Spacer for 31438	D5413
16902	Ring EL.Benzing 8 for 31438	A5406	36591	Carriage Support for 31438	C185404	36654	Spacer per Registro M10 p.1x33 for 31438	D5457
17281	Ring EL.Seeger Ext.25 for 31438	A5453	36593	Assembled Carriage for 31438	C1903	65614	Spacer Fixing Sharpener Cover for 31438	D5472
77585	Ring EL.Seeger Est.25 Ser.Heavy for 31438	A5454	36597	Power Cord 2P+T 15A 125V for 31438	C3273	A1247	Spacer per Impugn.Lato Flange for 31438	D5476
19484	Ring 52 for 31438	A5485	65610	Cord 0.5 LG.750 Coverblade Microswitch for 31438	C3351	A1248	Spacer per Knob for 31438	D5477
19612	Ring 33 for 31438	A5495	17316	Pin 8.5mm for 31438	C4601	36659	Hand Grip-Knob Spacer for 31438	D575081
17283	Oil Seal 25x52x10 for 31438	A5809	17317	Pin.11 for 31438	C4602	36661	Carriage Shock Absorber Spacer for 31438	D5762
17285	Oil Seal 60x75x8 for 31438	A5815	36601	Rivet 1.9x5 for 31438	C4640	60786	Locknut Spacer for 31438	D5770
19493	Oil Seal 25x47x07 for 31438	A5816	36607	Blade Cover Bolt Keeper 14x14M for 31438	C5007	17345	Cam Bearing 13655 for 31438	E1458
17288	O-Ring 3081 20.24x2.62 for 31438	A5854	36609	Capacitor 20 µF 250V for 31438	C5814	69701	Black Plastic Cam 25mm (New Style) for 31438	E1474
65609	Sealing Ring Shaft for 31438	A594601	74403	Connector Faston 2 Poles Male for 31438	C6010	36682	Unhook Friction Clasp 12x22x8 for 31438	F3015
17290	Carriage Bar for 31438	B1010A	36613	Cover per Box S1033 for 31438	C6448	17348	Flange Knife C for 31438	F6034
60431	Complete Carriage Rail Assembly for 31438	B1080	78266	Front Motor Cover for 31438	C6463	77591	Support Blade Flange for 31438	F6039
36549	Shock Absorber Rod 12x185 for 31438	B1252	36615	Back Motor Cover for 31438	C6466	A1249	Handling Flange for 31438	F609078
19501	Meat Grip Rod A310 & C for 31438	B1337A	36616	Transparent Cover for Carr. Plate for 31438	C6538	17351	Locknut for 31438	G5018
60430	Carriage Shaft for 31438	B1705	36617	Motor Fan Cover for 31438	C6573	36689	Stainless Steel Locknut M8 for 31438	G5027
78270	Body for 31438	B1807	64361	Sharpener Body for 31438	C680764	36691	Ring for Bushing for 31438	G5053
17298	Bushing Fastener C for 31438	B6006	36628	Switch Cover 16x20 for 31438	C7113	36692	Ring for Cam for 31438	G5054
19618	Bushing 8x10x8 for 31438	B6009	A1246	Copertura Trasp.Assy Plate for 31438	C7198	36695	Ring Support Cap for 31438	G5055
16904	Bushing Sharpener for 31438	B6048	17334	Bearing 2Z-6205 25x52x15 for 31438	C8011	36697	Logging Lock Nut for 31438	G5064
16905	Bushing DU 16x18x15 for 31438	B6053	16925	Bearing 2RS-6204 20x47x14 for 31438	C8024	36698	Index Ring M10 p.1 h.17 for 31438	G5084
17304	Bushing for 31438	B6056	36630	Bearing 5x16x6.5 for 31438	C8035	36700	Seal for 31438	G8014
17305	Bushing DU 18x20x15 for 31438	B6057	36631	Bearing 2RS-6205 25x52x15 for 31438	C8056	17356	Fastener Handle for 31438	I1926
19630	Bushing Fastener for 31438	B6104B	16926	Bearing 2RS-6000 (10x26x8) for 31438	C8067	18220	Knob-Handling for 31438	I203576
78265	Bushing Funnel for 31438	B6110	19638	Nut M4 for 31438	D0102	17363	End Grip Handle for 31438	I2040
18648	Bushing for 31438	B6212	19639	Nut M8 for 31438	D0135	36713	Handle for Carriage for 31438	I2055
36563	Carriage Bushing for 31438	B6213	36637	Nut U5589 M8 Stainless Steel for 31438	D0135X	AE755	Adjustment Knob for 31438	I208002
36564	Bushing for Carriage Support lg.23mm for 31438	B6214	77508	Stainless Steel Nut U5588 M12 for 31438	D014215	36717	Knob Assy for 31438	I2098
36566	Bushing to Hold Carriage Springs for 31438	B6221	66365	Domed Nut Din 917 M8 Stainless Steel for 31438	D014515	36719	Cover Handle for 31438	I2102
36569	Fixing Lever Bushing for 31438	B6239	36639	Nut U5721 M5 Stainless Steel for 31438	D0152X	23632	Screw for 31438	I2103
36570	Bushing DU 16x18x20 for 31438	B6246	36643	Nut U5588 M5 for 31438	D0160	65621	Knob Ø12x25 M6 for 31438	I2115
36574	Bushing for 31438	B6333	36644	U5588 M5 Stainless Steel Nut for 31438	D016015	65622	Sharpener Body Knob for 31438	I2117
36575	Bushing for 31438	B6334	19644	Nut M6 for 31438	D0163	62453	Nylon Gear for 31438	I2403
36576	Bushing DU 28x32x25 for 31438	B6335	36647	Nut U5588 M8 for 31438	D0165	62350	Bushing Glide Dia 8x8 for 31438	I3065



# Parts Breakdown

## Model MS-IT-0330-F 31438

Item No.	Description	Position	Item No.	Description	Position	Item No.	Description	Position
36721	Cam Pin for 31438	I3066	79272	Knife Shaft for 31438	P3648	19674	Washer 44.5x51.5x0.2 for 31438	R6848
79578	Blade 330 57x4x286 for 31438	L0632	36805	Pivot for Grinding Stone for 31438	P3657	77540	Washer 6.2x14x0.6 for 31438	R6854
14787	Grinding Sharpening Stone 48x15x14.3 for 31438	M6602	77594	Assy Driving Pivot per T8093 for 31438	P3697	19675	Washer C for 31438	R6863
21644	F Stone 51x7x14.3 for 31438	M6621	Al250	Buttons Pin for 31438	P3729	36892	Washer 17x30x4 for 31438	R6874
19776	Spring 14x1.5x60 for 31438	M7032	36806	Carriage Plate for 31438	P432821	16972	Washer 5.5x19x2.5 for 31438	R6884
19782	Spring 19.5x1.5x16.7 for 31438	M7050	16960	Support Plate for 31438	P4756	36893	Stainless Steel Special Washer 8.5x24x2 for 31438	R6897X
19250	Spring 24.8x1.8x15 for 31438	M7071	36830	Flat Bar C for 31438	P4765	36897	Special Washer 5.5x22x1.5 for 31438	R6932
36746	Spring 7x0.8x23 Cam for 31438	M7076	36834	Index Casting C-H for 31438	P4860	65641	Special Washer X Sharpener 6x25x1 for 31438	R6959
19248	Spring 15.6x20x2.2 for 31438	M7120	65631	Plastic Body Sharpener for 31438	P4937	Al252	Washer Speciale 27x50x2 for 31438	R6994
36749	Carriage Bar Spring 25-28-1.5 for 31438	M7121	16961	Foot for 31438	P5008	78261	Rotor Stator H.50 for 31438	R8021
36750	18.5x20.9x1.2 Bar Carriage Spring for 31438	M7122	65632	Sliding Bearing Flat for 31438	P5102	36904	EL. Circuit Box 90x86 for 31438	S1033
36751	Spring for 31438	M7166	36842	Assy Meat Tray for 31438	P5557	19680	Ball 3 17 for 31438	S3005
65627	Button Spring for 31438	M7182	78235	End Grip for 31438	P6729	17465	Ball 4.76 for 31438	S3015
20263	Motor 120V/60Hz-1 for 31438	M8246	79637	End Grip for 31438	P7019	36906	Circuit Board 120V/60 Opt.148 for 31438	S3284
19791	Oiler Oil Cap with Screw for 31438	O4040	65637	Special Screw M6x25 X Knob for 31438	P7475	36908	Track C-CD for 31438	S3815
17388	R.Shock Absorb. 12x19x2 for 31438	P1012	65638	Special Screw Captive M8x44 for 31438	P7478	36910	LED KL74D250 for 31438	S6506
17390	Rubber Shock Abs. 16x22x2.5 for 31438	P1019	36857	Protection Superiore Lama for 31438	P7969	36915	Pin Stainless Steel D.6x28 for 31438	S7516
36760	Pin Tray Shock-Absorber for 31438	P1025	17448	Sharpener Pusher for 31438	P8601	36920	Pin 4x25 for 31438	S7526
17392	PL.Shock Absorb.8.5x20 for 31438	P1034	36867	Stop Switch Cover - Red for 31438	P8632	36921	Stainless Steel 4x7 Pin M.C for 31438	S7527
36761	Shock Absorber for 31438	P103401	36868	Start Switch Cover - Green for 31438	P8633	17476	Foot Support Pin D.10 M8 L.37 for 31438	S7595
19797	Nylon Shock 8.5x8 for 31438	P1042	36869	Panel 120/60Hz Opt.148 for 31438	P9502	36931	Pin 8x50 for 31438	S7669
36762	Rubber Plug for 31438	P1053	Al251	Pulsantiera 120/60Hz Opt.148 for 31438	P9516	19870	Stator 120/60 for 31438	S8562
16955	Shock Absorber for 31438	P1059	65640	Oil Receiver for 31438	R1027	65643	Capacitor Holder for 31438	S8866
17395	Shock Absorber for 31438	P1081	19657	Washer 4 for 31438	R6003	78236	Bracket Washer C for 31438	S8951A
36763	Slice Deflector for 31438	P1147	19659	Washer 8 for 31438	R6006	19181	Bracket Support for 31438	S9192
36773	Ring Guard for 31438	P1666	36877	Washer 8.2x16x0.9 for 31438	R6207	36968	Carriage Support for 31438	S919721
68152	Knife Cover for 31438	P1686	78258	Washer 30.5x46.5x0.6 for 31438	R6251	36974	Carriage Plexi Support for 31438	S9238
77617	Strain Relief for 31438	P2009	19666	Washer for 31438	R6280	36976	Support for 31438	S9402
60421	Electrical Conduit for 31438	P2011	17455	Washer U6592 4 for 31438	R6505	36977	Sharpener Support for 31438	S9448
36778	Wire-Press for 31438	P2014	36881	Washer U6593 5 (5.5x15x1.2) for 31438	R6507	36978	Support Bracker for 31438	S9451
36779	Core-Hitch + Nut for 31438	P2015	36882	Washer U6592 5 Stainless Steel for 31438	R6508X	65645	Holder Blade Guard for 31438	S9452
17419	Pin Truing for 31438	P322601	20422	Washer for 31438	R6509	36980	Carr. Plate Assy Support for 31438	S9602
78237	Knife Shaft for 31438	P3323	16967	Washer U65926 for 31438	R6512	19878	Rubber Cap for 31438	T1002
23649	Knife Shaft for 31438	P3378	36884	Washer U6592 8 Stainless Steel for 31438	R6520X	36982	Heyco Cap SP-468 Diam.12 for 31438	T1022
36793	Pin.Handle for 31438	P3430	36885	Washer U6592 10 Stainless Steel for 31438	R6530X	36983	Rubber Cap Diam. 13.5 for 31438	T1023
36794	Carr. Plate Lock Pivot for 31438	P3440	17458	Contact Washer for 31438	R6806	19883	Label Oil for 31438	T1690
36803	Pivot for Box Switches for 31438	P3573	36889	Washer 10.5x16x1 for 31438	R6816	Al253	Label for 31438	T1752
65628	Pivot Sharpener for 31438	P3647	17460	Washer 34.2x46x0.5 for 31438	R6846	65649	Blade Cover Fastener M8x312 for 31438	T5146



# Parts Breakdown

## Model MS-IT-0330-F 31438

Item No.	Description	Position	Item No.	Description	Position	Item No.	Description	Position
44014	Knife Cover Tie Rod (Release Knob) for 31438	T5182	19697	Screw M5x16 for 31438	V6211	37082	Screw TSPEI U5933 M6x15 for 31438	V7047
36999	Riding Pin (Diam.28) for 31438	T8538	19698	Screw M4x20 for 31438	V6212	37084	Screw TSPEI U5933 M10x30 Stainless for 31438	V7052X
79283	Shaft Pin for 31438	T9742	19699	Screw M4x25 for 31438	V6231	37088	Screw TSP AUT.U6952 4.2x16 INOX for 31438	V708015
65650	Aluminum Gauge-Plate for 31438	V313605	19702	Screw M6x25 for 31438	V6246	17502	Screw M3x5.5 for 31438	V7901
37013	Motor Fan MEC80 148x16 for 31438	V4014	37039	Screw TCEI U5931 M6x25 INOX for 31438	V6246X	17503	Screw M5x13 for 31438	V7908
37014	STEI Screw 6x20 for 31438	V6001	37042	Screw TCEI U5931 M8x25 for 31438	V6254	19717	Screw M6x50 for 31438	V7917
37018	Screw STTC U6113 M6x6 for 31438	V6010	19706	Screw for 31438	V6278	19720	Screw M6 for 31438	V7934
26127	Stud for 31438	V602115	37051	TCEI Screw 6x45 U5931 for 31438	V6286	19917	Screw BS for 31438	V7960
37019	Screw M5x20 U5923 for 31438	V6027	Al254	Screw M6x16 for 31438	V6294	37095	Screw for Rod 6x13 for 31438	V7993A
60426	Stainless Steel Screw STEI U5923 M8x60 for 31438	V6041	37058	Stainless Steel Screw M4x8 for 31438	V6370	16987	Special Screw M6x15 for 31438	V8020
37023	Screw STEI U5929 M5x5 for 31438	V6065	37059	Stainless Steel Screw M4x14 for 31438	V6371	37102	Screw M6x20 for 31438	V8035
19691	Grub Screw M6x6 for 31438	V6066	37060	Stainless Steel Screw TE U5737 M5x12 for 31438	V6403X	19920	Screw M8x30 for 31438	V8036
19692	Screw M6x8 for 31438	V6067	37064	Screw TE U5739 M10x35 for 31438	V6415X	37104	Threaded Stud for 31438	V8042
37025	Screw STEI U5929 M6x8 for 31438	V6067X	37066	Screw TE U5737 M6x15 for 31438	V6421	37108	Special Fixed End Screw M6x17 for 31438	V8056
19695	Screw M10x30 for 31438	V6080	37067	Screw TE U5739 M5x20 for 31438	V6423	19726	Screw M5x21 for 31438	V8059
37030	Screw M12x16 U5927 for 31438	V6081	17497	Screw TSP U6109 M5x15 Stainless Steel for 31438	V7014X	37113	Screw for Carr. Index M8x25 for 31438	V8099
37031	Screw STEI U5929 M8x16 for 31438	V6083	17498	Screw TSPEI U5933 M4x10 for 31438	V7043	37114	Stainless Steel Screw M6x25 for 31438	V8130