



PARTS BREAKDOWN

MODEL BL-BR-0015
ITEM 37969

Serial Numbers 000001 - 000140 (page 2 - 4)

Serial Numbers 000141 - 000248 (page 5 - 7)

Serial Numbers 000378 - 000722 (page 8 - 10)

Serial Numbers 000723 - 000792 (page 11 - 13)

Serial Numbers 000793 - 000812 (page 14 - 16)

Serial Numbers 000813 - 001039 (page 17 - 19)

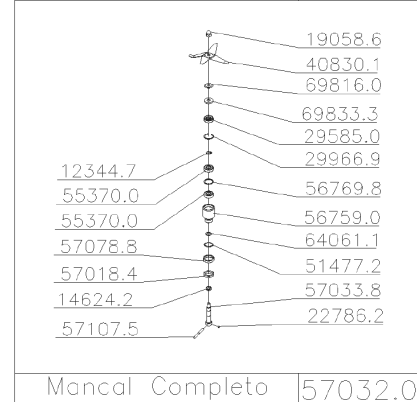
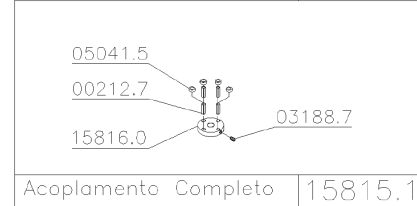
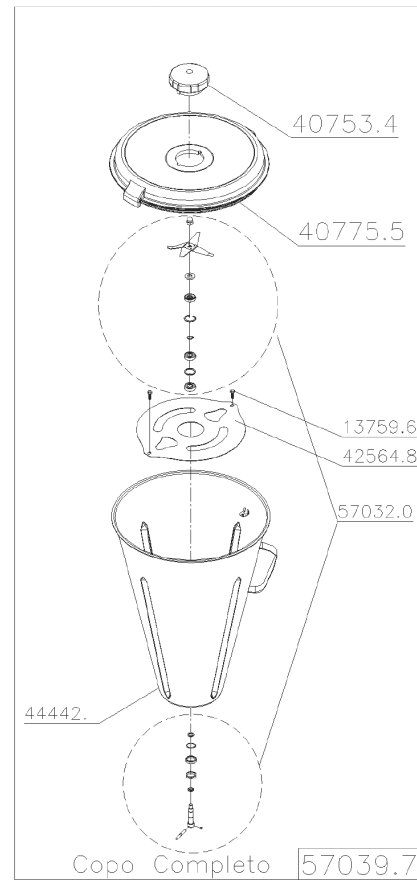
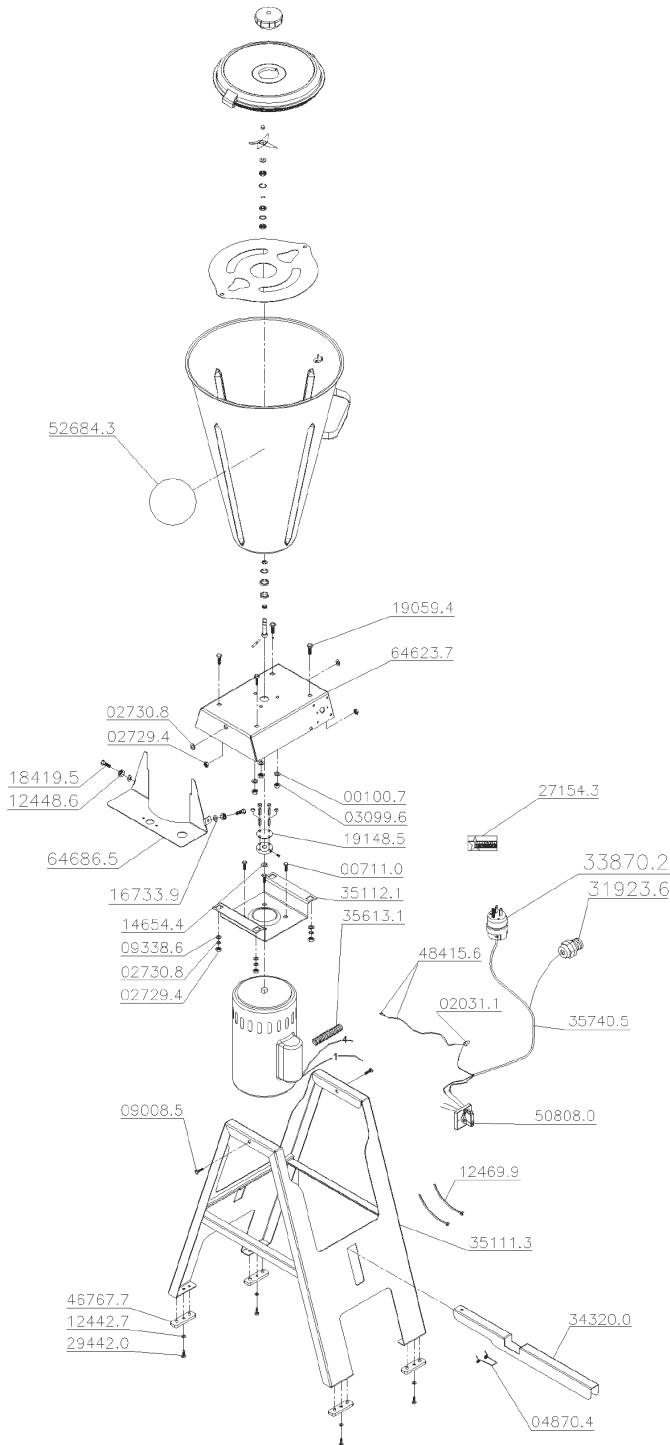
Serial Numbers 001040 - 010079 (page 20 - 22)

Serial Numbers 010080 - present (page 23 - 24)

Parts Breakdown

Model BL-BR-0025 31502

Serial Number 000001 - 000140



Parts Breakdown

Model BL-BR-0025 31502

Serial Number 000001 - 000140

Item No.	Description	Position	Item No.	Description	Position	Item No.	Description	Position
38109	Skymesen Logo Small for 31502	00047.7	38281	Screw Nut M6 Din934 Inox for 31502	12448.6	AE676	Ring 28x1.2 Din 472 Fosf. for 31502	29966.9
30234	Washer L 1/4x1 6 ZB for 31502	00100.7	16423	Washer L.A8.4 Stainless Steel for 31502	12460.5	AE677	Key W/Prot.30223 M2FT2FE3V/19 for 31502	30565.0
30258	Washer L 5/16 ZB for 31502	00119.8	30045	Bracer K22-LM (T-80I) for 31502	12469.9	67038	Grounded Wire Label for 31502	31140.5
38217	Elastic Pin 6x22 for 31502	00212.7	38086	Screw M8x16 Din 933 Stainless Steel for 31502	13238.1	67039	Nut M4 Din 985 Stainless Steel for 31502	31800.0
30186	Wire Passer Molde 0922231 for 31502	00218.6	38208	Wire Passer Molde 0922231 for 31502	13737.5	27726	Cord Holder PG13.5 LC+P/9 for 31502	31923.6
AE704	Pin Elast.6x50 Din 1481 for 31502	00267.4	67029	Screw M6x10 Din 933 Stainless Steel for 31502	13759.6	AE678	American Plug Cert.20A 115V (4A255) for 31502	33870.2
30324	Six Sided Screw UNC 3/8x7/8 RTZB for 31502	00711.0	38292	Screw M6x8 Din 84 ZB for 31502	14174.7	27754	Maintenance/Cleaning Label Comm for 31502	34686.1
AE670	Term. Eyelet for 31502	01137.1	16434	Motor 1 5HP 60Hz 110V for 31502	14211.5	38322	Rubber Foot for 31502	34895.3
27692	Insult Term EF-4228 for 31502	01213.0	38274	V'Ring 16 5x10 5x5 5 for 31502	14624.2	38202	Motor Support/Plate Protection for 31502	35057.5
AE671	PFS M5x10 Din 7985 ZB for 31502	01639.0	38319	Distance Washer for 31502	14644.7	79052	CS Easel Gray for 31502	35111.3
30350	Nylon Cover CN-4472 for 31502	02031.1	38317	Central Bearing W/Bush for 31502	14650.1	38288	Motor Support (Grey) for 31502	35112.1
38557	Screw Nut Din 934 ZB for 31502	02729.4	38314	Lower Nut M22x1.5 for 31502	14653.6	38289	Plastic Conduit for 31502	35613.1
27693	Washer L.A8,4 ZB for 31502	02730.8	38295	Fiber Washer 20x13x0.7 for 31502	14654.4	AE679	CB.3x3.3mm2 SJx2M Certif. for 31502	35740.5
38180	Screw Nut M6 Din 934 ZB for 31502	03099.6	38312	Nut 10x1.25 for 31502	14660.9	79055	Sleeve for 31502	39691.5
38320	Nut M5 Din 934 ZB for 31502	03145.3	38308	Complete Clutch for 31502	15815.1	AT527	PFS M5x8 Din 916 Inox for 31502	40739.9
27695	Allen Screw M6x8 for 31502	03188.7	38316	Cover for 31502	17456.4	70157	Cap Cover for 31502	40753.4
27696	Nylon Cover CN 4478 for 31502	03678.1	79037	Positive Terminal Lock for 31502	17581.1	27845	Blade PCA/CS Helice Type MB for 31502	40830.1
24023	The Spring Rocker for 31502	04870.4	30050	Terminal Cover for 31502	17582.0	38304	Cup Set for 31502	40859.0
38220	Distanc. Washer for 31502	05041.5	AE674	PFS M6x16 Din 7985 Stainless for 31502	18419.5	79061	Complete Cutting Assy for 31502	40867.0
38297	PFS M8x40 Din 933 ZB for 31502	09008.5	27709	Screw M8x16 Din 933 ZB for 31502	19059.4	38315	Center Axis for 31502	40868.9
38171	Cord 3x1 5mm2 W/PGRE 2PC1PR for 31502	09104.9	79041	Deflector for 31502	19148.5	38303	Complete Cup for 31502	40872.7
38318	Bearing Seal Ring for 31502	09167.7	38341	Washer 1/4x5/8x1.2mm Stainless Steel for 31502	19384.4	38284	CS Tilting Base Support (Grey) for 31502	41009.8
38296	Washer L A10.5 ZB for 31502	09338.6	38087	Washer L.A5.3 Din 125 Inox for 31502	20194.4	AC967	Cup Safety Device for 31502	42564.8
AE672	Earring Ring 12x1 Din 471 for 31502	12344.7	38313	Seal V'Ring 16,5x10,5x5,5 for 31502	20378.5	AC968	CS Cup for 31502	44442.1
16418	Nut N M6 Din 985 Stainless Steel for 31502	12441.9	27720	Omcan Logo (Machines) for 31502	27154.3	38300	Rectangular Foot (Mol 483753) for 31502	46767.7
16419	Washer L.A6 4 125 Inox for 31502	12442.7	38302	PFS Auto Broc 4.2x13 ZB for 31502	29442.0	79065	CB. Ground 1.5mm 2x420mm for 31502	48415.6
16421	Screw Nut M8 934 Inox for 31502	12445.1	AE675	Retainer Di.12xDe.28xL.7 for 31502	29585.0	78551	Cleaning Maintenance Label for 31502	50665.6

Parts Breakdown

Model BL-BR-0025 31502

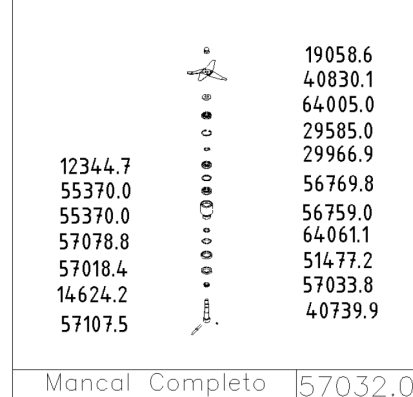
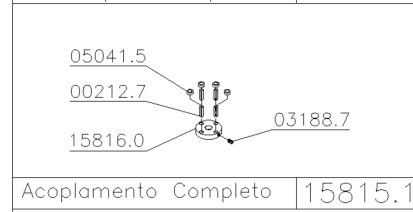
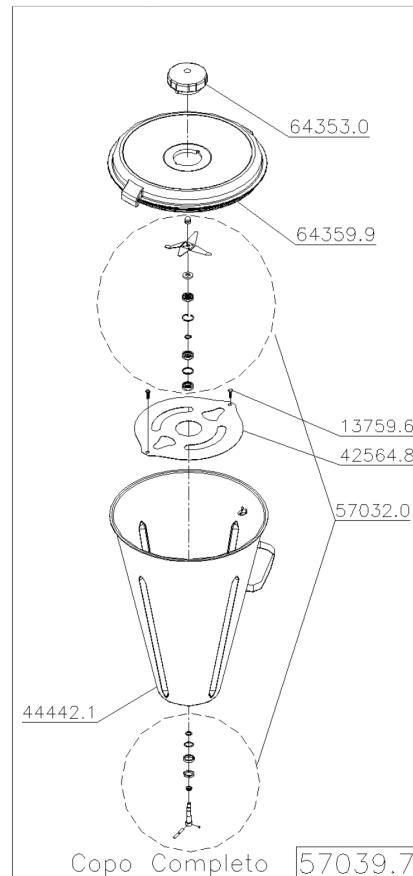
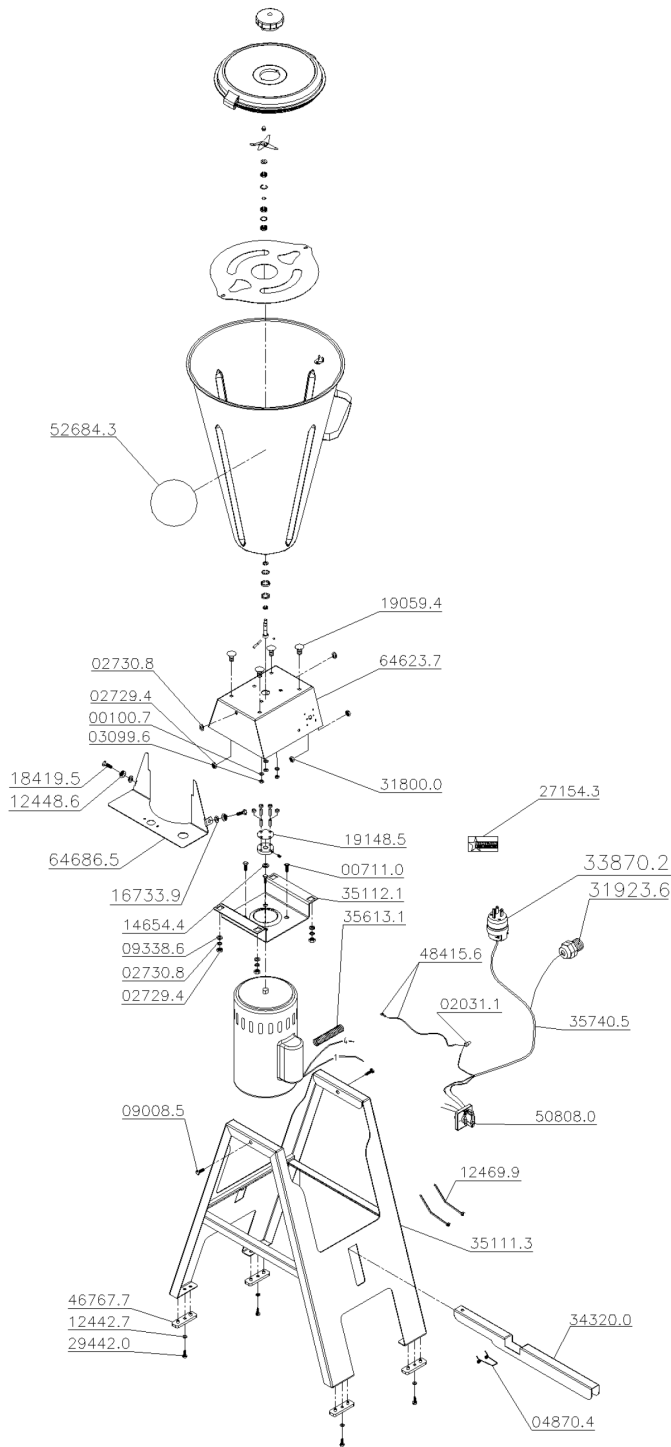
Serial Number 000001 - 000140

Item No.	Description	Position	Item No.	Description	Position	Item No.	Description	Position
79067	Pedal Separator for 31502	51024.6	AE706	Complete Cup for 31502	58928.4	AP009	Pedal (Grey) for 31502	67362.5
AE680	O Ring 27.6x25x1.3mm for 31502	51477.2	AE707	CS Tilting Support (Gray) for 31502	62099.8	AC966	Stand Grey for 31502	68996.3
AP012	Label E/I Cup MB 145mm 25 for 31502	52684.3	AE694	Backring Ring for 31502	64061.1	AE702	CS Closing Cabinet for 31502	69021.0
AE682	Rolam.6001 DDU NSK/TK Di.12xDe.28xL.8 for 31502	55370.0	AE695	MB Less Overhead for 31502	64353.0	AE703	CS Tilting Support (Gray) for 31502	69022.8
AE684	Distancing Washer for 31502	56769.8	AE708	Cover 25 (FE006-112) for 31502	64359.9	AT528	Bearing 6001 DDU Inox Di.12xDE.28xL for 31502	69451.0
AE685	PCA Sex Low M24x1.5 Stainless Steel for 31502	57018.4	AE697	CS Tilting Support (Gray) for 31502	64623.7	AP010	Oring Ring 30.31x25.07x2.62mm for 31502	69626.7
AE687	Central Axle for 31502	57033.8	AE698	Danger I/F for 31502	64624.5	AE686	Complete Cutting/Bearing Assembly for 31502	69833.5
AE705	Full Cup for 31502	57039.7	AE699	Protection Plate for 31502	64686.5	AP609	Center Bearing for 31502	69833.6
AE689	Distancer for 31502	57078.8	AE700	Motor 1,5CV 60Hz 115V W (14547104) for 31502	64699.7	AT531	Retainer + Rings (Scraper/Seal) for 31502	70013.3
AE690	Guide Pin 6x50 Din 7 m6 W/Down for 31502	57107.5	38306	Complete Lid 25 (FE006 112) for 31502	65172.9	45648	Rotating Disconnect Key Switch New Style for 31502	70232.7

Parts Breakdown

Model BL-BR-0025 31502

Serial Number 000141 - 000248



Parts Breakdown

Model BL-BR-0025 31502

Serial Number 000141 - 000248

Item No.	Description	Position	Item No.	Description	Position	Item No.	Description	Position
38109	Skymesen Logo Small for 31502	00047.7	38281	Screw Nut M6 Din934 Inox for 31502	12448.6	AE676	Ring 28x1.2 Din 472 FOSF. for 31502	29966.9
30234	Washer L 1/4x1 6 ZB for 31502	00100.7	16423	Washer L.A8.4 Stainless Steel for 31502	12460.5	AE677	Key W/Prot.30223 M2FT2FE3V/19 for 31502	30565.0
30258	Washer L 5/16 ZB for 31502	00119.8	30045	Bracer K22-LM (T-80I) for 31502	12469.9	67038	Grounded Wire Label for 31502	31140.5
38217	Elastic Pin 6x22 for 31502	00212.7	38086	Screw M8x16 Din 933 Stainless Steel for 31502	13238.1	67039	Nut M4 Din 985 Stainless Steel for 31502	31800.0
30186	Wire Passer Molde 0922231 for 31502	00218.6	38208	Wire Passer Molde 0922231 for 31502	13737.5	27726	Cord Holder PG13.5 LC+P/9 for 31502	31923.6
AE704	Pin Elast.6x50 Din 1481 for 31502	00267.4	67029	Screw M6x10 Din 933 Stainless Steel for 31502	13759.6	AE678	American Plug Cert.20A 115V (4A255) for 31502	33870.2
30324	Six Sided Screw UNC 3/8x7/8 RTZB for 31502	00711.0	38292	Screw M6x8 Din 84 ZB for 31502	14174.7	27754	Maintenance/Cleaning Label for 31502	34686.1
AE670	Term. Eyelet for 31502	01137.1	16434	Motor 1 5HP 60Hz 110V for 31502	14211.5	38322	Rubber Foot for 31502	34895.3
27692	Insult Term EF-4228 for 31502	01213.0	38274	V'Ring 16 5x10 5x5 5 for 31502	14624.2	38202	Motor Support/Plate Protection for 31502	35057.5
AE671	PFS M5x10 Din 7985 ZB for 31502	01639.0	38319	Distance Washer for 31502	14644.7	79052	CS Easel Gray for 31502	35111.3
30350	Nylon Cover CN-4472 for 31502	02031.1	38317	Central Bearing W/Bush for 31502	14650.1	38288	Motor Support (Grey) for 31502	35112.1
38557	Screw Nut Din 934 ZB for 31502	02729.4	38314	Lower Nut M22x1.5 for 31502	14653.6	38289	Plastic Conduit for 31502	35613.1
27693	Washer L.A8,4 ZB for 31502	02730.8	38295	Fiber Washer 20x13x0.7 for 31502	14654.4	AE679	CB.3x3.3mm2 SJX2M Certif. for 31502	35740.5
38180	Screw Nut M6 Din 934 ZB for 31502	03099.6	38312	Nut 10x1.25 for 31502	14660.9	79055	Sleeve for 31502	39691.5
38320	Nut M5 Din 934 ZB for 31502	03145.3	38308	Complete Clutch for 31502	15815.1	AT527	PFS M5x8 Din 916 Inox for 31502	40739.9
27695	Allen Screw M6x8 for 31502	03188.7	38316	Cover for 31502	17456.4	70157	Cap Cover for 31502	40753.4
27696	Nylon Cover CN 4478 for 31502	03678.1	79037	Positive Terminal Lock for 31502	17581.1	27845	Blade PCA/CS Helice Type MB for 31502	40830.1
24023	The Spring Rocker for 31502	04870.4	30050	Terminal Cover for 31502	17582.0	38304	Cup Set for 31502	40859.0
38220	Distanc. Washer for 31502	05041.5	AE674	PFS M6x16 Din 7985 Stainless for 31502	18419.5	79061	Complete Cutting Assy for 31502	40867.0
38297	PFS M8x40 Din 933 ZB for 31502	09008.5	27709	Screw M8x16 Din 933 ZB for 31502	19059.4	38315	Center Axis for 31502	40868.9
38171	Cord 3x1 5mm2 W/PGRE 2PC1PR for 31502	09104.9	79041	Deflector for 31502	19148.5	38303	Complete Cup for 31502	40872.7
38318	Bearing Seal Ring for 31502	09167.7	38341	Washer 1/4x5/8x1.2mm Stainless Steel for 31502	19384.4	38284	CS Tilting Base Support (Grey) for 31502	41009.8
38296	Washer L A10.5 ZB for 31502	09338.6	38087	Washer L.A5.3 Din 125 Inox for 31502	20194.4	AC967	Cup Safety Device for 31502	42564.8
AE672	Earring Ring 12x1 Din 471 for 31502	12344.7	38313	Seal V'Ring 16,5x10,5x5,5 for 31502	20378.5	AC968	CS Cup for 31502	44442.1
16418	Nut N M6 Din 985 Stainless Steel for 31502	12441.9	27720	Omcan Logo (Machine) for 31502	27154.3	38300	Rectangular Foot (Mol 483753) for 31502	46767.7
16419	Washer L.A6 4 125 Inox for 31502	12442.7	38302	PFS Auto Broc 4.2x13 ZB for 31502	29442.0	79065	CB. Ground 1.5mm 2x420mm for 31502	48415.6
16421	Screw Nut M8 934 Inox for 31502	12445.1	AE675	Retainer Di.12xDe.28xL.7 for 31502	29585.0	78551	Cleaning Maintenance Label for 31502	50665.6

Parts Breakdown

Model BL-BR-0025 31502

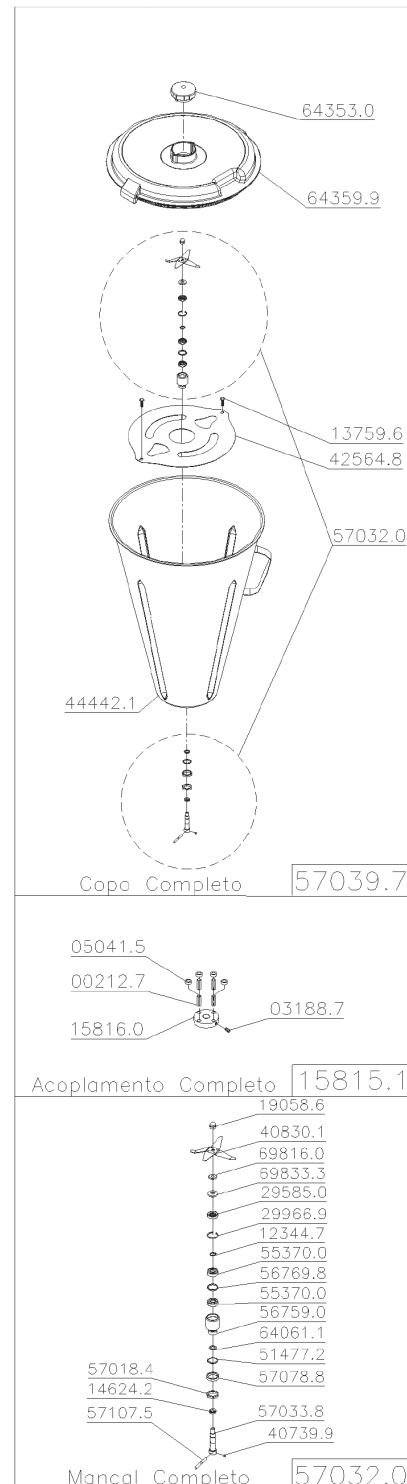
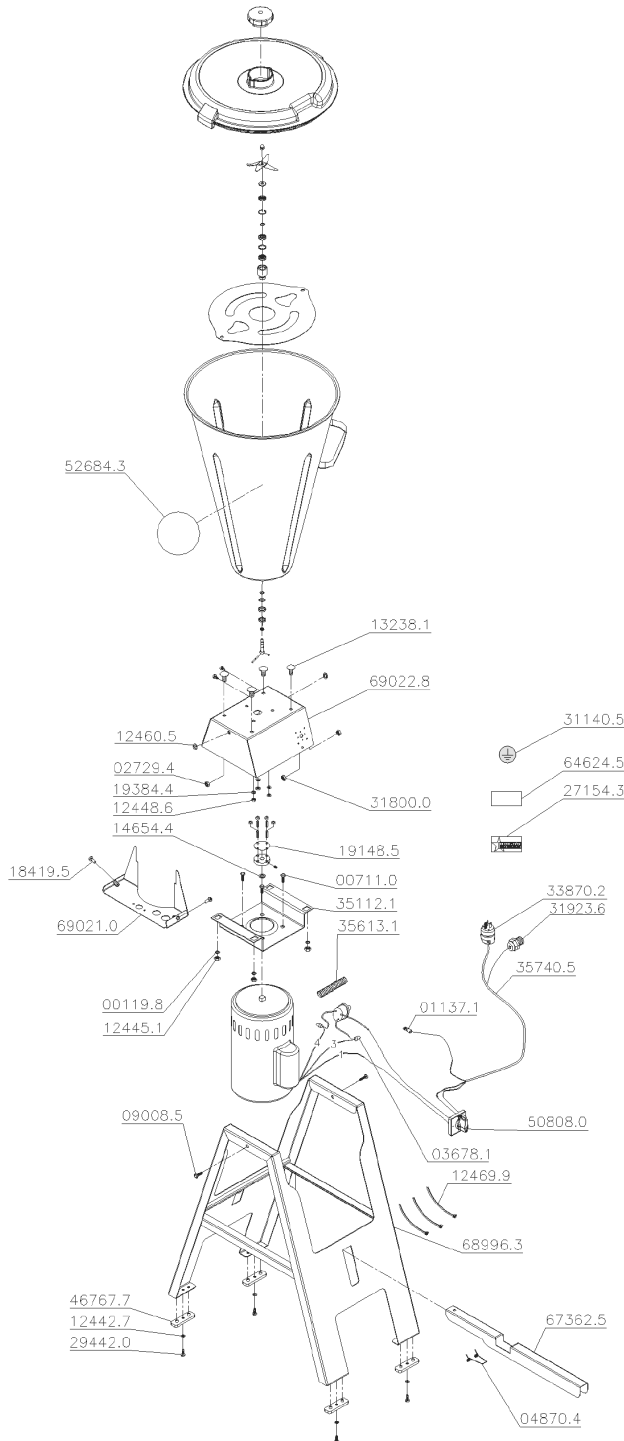
Serial Number 000141 - 000248

Item No.	Description	Position	Item No.	Description	Position	Item No.	Description	Position
79067	Pedal Separator for 31502	51024.6	AE707	CS Tilting Support (Gray) for 31502	62099.8	AE702	CS Closing Cabinet for 31502	69021.0
AE680	O Ring 27.6x25x1.3mm for 31502	51477.2	AE694	Backring Ring for 31502	64061.1	AE703	CS Tilting Support (Gray) for 31502	69022.8
AP012	Label E/I Cup MB 145mm 25 for 31502	52684.3	AE695	MB Less Overhead for 31502	64353.0	AT528	Bearing 6001 DDU Inox DI.12xDE.28xL for 31502	69451.0
AE682	Rolam.6001 DDU NSK/TK Di.12xDe.28xL.8 for 31502	55370.0	AE708	Cover 25 (FE006-112) for 31502	64359.9	AP010	Oring Ring 30.31x25.07x2.62mm for 31502	69626.7
AE684	Distancing Washer for 31502	56769.8	AE697	CS Tilting Support (Gray) for 31502	64623.7	AT529	Sealing Ring (698160) for 31502	69816.0
AE685	PCA Sex Low M24x1.5 Stainless Steel for 31502	57018.4	AE698	Danger I/F for 31502	64624.5	AP011	Bearing + Ring (Scraper/Seal) + R for 31502	69826.8
AE687	Central Axle for 31502	57033.8	AE699	Protection Plate for 31502	64686.5	AT530	Scraper Ring (698333) for 31502	69833.3
AE705	Full Cup for 31502	57039.7	AE700	Motor 1,5CV 60Hz W (14547104) for 31502	64699.7	AE686	Complete Cutting/Bearing Assembly for 31502	69833.5
AE689	Distancer for 31502	57078.8	38306	Complete Lid 25 (FE006 112) for 31502	65172.9	AP609	Center Bearing for 31502	69833.6
AE690	Guide Pin 6x50 Din 7 m6 W/Down for 31502	57107.5	AP009	Pedal (Grey) for 31502	67362.5	AT531	Retainer + Rings (Scraper/Seal) for 31502	70013.3
AE706	Complete Cup for 31502	58928.4	AC966	Stand Grey for 31502	68996.3	45648	Rotating Disconnect Key Switch New Style for 31502	70232.7

Parts Breakdown

Model BL-BR-0025 31502

Serial Number 000378 - 000722



Parts Breakdown

Model BL-BR-0025 31502

Serial Number 000378 - 000722

Item No.	Description	Position	Item No.	Description	Position	Item No.	Description	Position
38109	Skymesen Logo Small for 31502	00047.7	38281	Screw Nut M6 Din934 Inox for 31502	12448.6	AE676	Ring 28x1.2 Din 472 Fosf. for 31502	29966.9
30234	Washer L 1/4x1 6 ZB for 31502	00100.7	16423	Washer L.A8.4 Stainless Steel for 31502	12460.5	AE677	Key W/Prot.30223 M2FT2FE3V/19 for 31502	30565.0
30258	Washer L 5/16 ZB for 31502	00119.8	30045	Bracer K22-LM (T-80I) for 31502	12469.9	67038	Grounded Wire Label for 31502	31140.5
38217	Elastic Pin 6x22 for 31502	00212.7	38086	Screw M8x16 Din 933 Stainless Steel for 31502	13238.1	67039	Nut M4 Din 985 Stainless Steel for 31502	31800.0
30186	Wire Passer Molde 0922231 for 31502	00218.6	38208	Wire Passer Molde 0922231 for 31502	13737.5	27726	Cord Holder PG13.5 LC+P/9 for 31502	31923.6
AE704	Pin Elast.6x50 Din 1481 for 31502	00267.4	67029	Screw M6x10 Din 933 Stainless Steel for 31502	13759.6	AE678	American Plug Cert.20A 115V (4A255) for 31502	33870.2
30324	Six Sided Screw UNC 3/8x7/8 RTZB for 31502	00711.0	38292	Screw M6x8 Din 84 ZB for 31502	14174.7	27754	Maintenance/Cleaning Label for 31502	34686.1
AE670	Term. Eyelet for 31502	01137.1	16434	Motor 1 5HP 60Hz 110V for 31502	14211.5	38322	Rubber Foot for 31502	34895.3
27692	Insult Term EF-4228 for 31502	01213.0	38274	V'Ring 16 5x10 5x5 5 for 31502	14624.2	38202	Motor Support/Plate Protection for 31502	35057.5
AE671	PFS M5x10 Din 7985 ZB for 31502	01639.0	38319	Distance Washer for 31502	14644.7	79052	CS Easel Gray for 31502	35111.3
30350	Nylon Cover CN-4472 for 31502	02031.1	38317	Central Bearing W/Bush for 31502	14650.1	38288	Motor Support (Grey) for 31502	35112.1
38557	Screw Nut Din 934 ZB for 31502	02729.4	38314	Lower Nut M22x1.5 for 31502	14653.6	38289	Plastic Conduit for 31502	35613.1
27693	Washer L.A8,4 ZB for 31502	02730.8	38295	Fiber Washer 20x13x0.7 for 31502	14654.4	AE679	CB.3x3.3mm2 SJX2M Certif. for 31502	35740.5
38180	Screw Nut M6 Din 934 ZB for 31502	03099.6	38312	Nut 10x1.25 for 31502	14660.9	79055	Sleeve for 31502	39691.5
38320	Nut M5 Din 934 ZB for 31502	03145.3	38308	Complete Clutch for 31502	15815.1	AT527	PFS M5x8 Din 916 Inox for 31502	40739.9
27695	Allen Screw M6x8 for 31502	03188.7	38316	Cover for 31502	17456.4	70157	Cap Cover for 31502	40753.4
27696	Nylon Cover CN 4478 for 31502	03678.1	79037	Positive Terminal Lock for 31502	17581.1	27845	Blade PCA/CS Helice Type MB for 31502	40830.1
24023	The Spring Rocker for 31502	04870.4	30050	Terminal Cover for 31502	17582.0	38304	Cup Set for 31502	40859.0
38220	Distanc. Washer for 31502	05041.5	AE674	PFS M6x16 Din 7985 Stainless for 31502	18419.5	79061	Complete Cutting Assy for 31502	40867.0
38297	PFS M8x40 Din 933 ZB for 31502	09008.5	27709	Screw M8x16 Din 933 ZB for 31502	19059.4	38315	Center Axis for 31502	40868.9
38171	Cord 3x1 5mm2 W/PGRE 2PC1PR for 31502	09104.9	79041	Deflector for 31502	19148.5	38303	Complete Cup for 31502	40872.7
38318	Bearing Seal Ring for 31502	09167.7	38341	Washer 1/4x5/8x1.2mm Stainless Steel for 31502	19384.4	38284	CS Tilting Base Support (Grey) for 31502	41009.8
38296	Washer L A10.5 ZB for 31502	09338.6	38087	Washer L.A5.3 Din 125 Inox for 31502	20194.4	AC967	Cup Safety Device for 31502	42564.8
AE672	Earring Ring 12x1 Din 471 for 31502	12344.7	38313	Seal V'Ring 16,5x10,5x5,5 for 31502	20378.5	AC968	CS Cup for 31502	44442.1
16418	Nut N M6 Din 985 Stainless Steel for 31502	12441.9	27720	Omcan Logo (Machines) for 31502	27154.3	38300	Rectangular Foot (Mol 483753) for 31502	46767.7
16419	Washer L.A6 4 125 Inox for 31502	12442.7	38302	PFS Auto Broc 4.2x13 ZB for 31502	29442.0	79065	CB. Ground 1.5mm 2x420mm for 31502	48415.6
16421	Screw Nut M8 934 Inox for 31502	12445.1	AE675	Retainer Di.12xDe.28xL.7 for 31502	29585.0	78551	Cleaning Maintenance Label for 31502	50665.6

Parts Breakdown

Model BL-BR-0025 31502

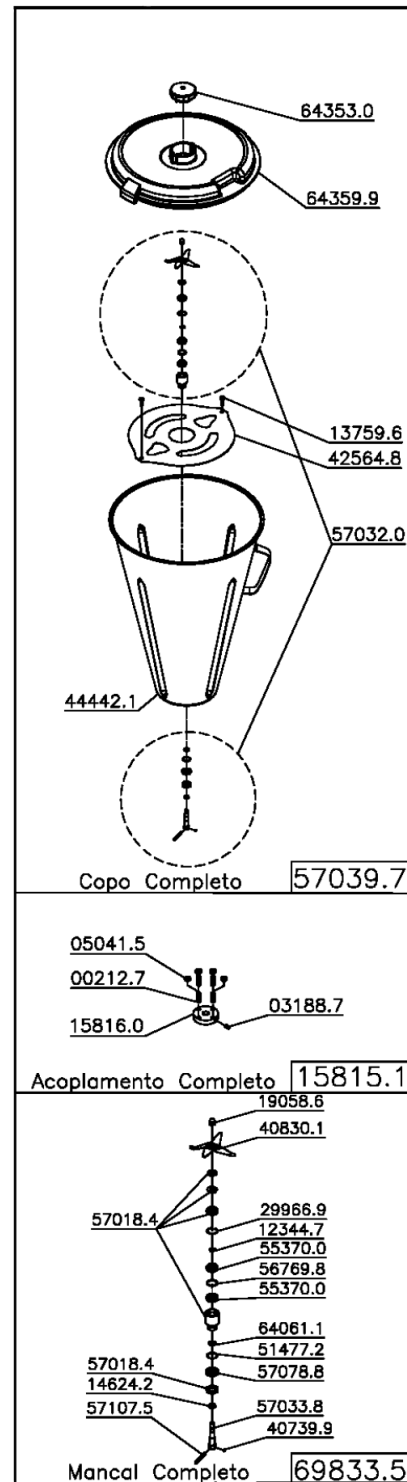
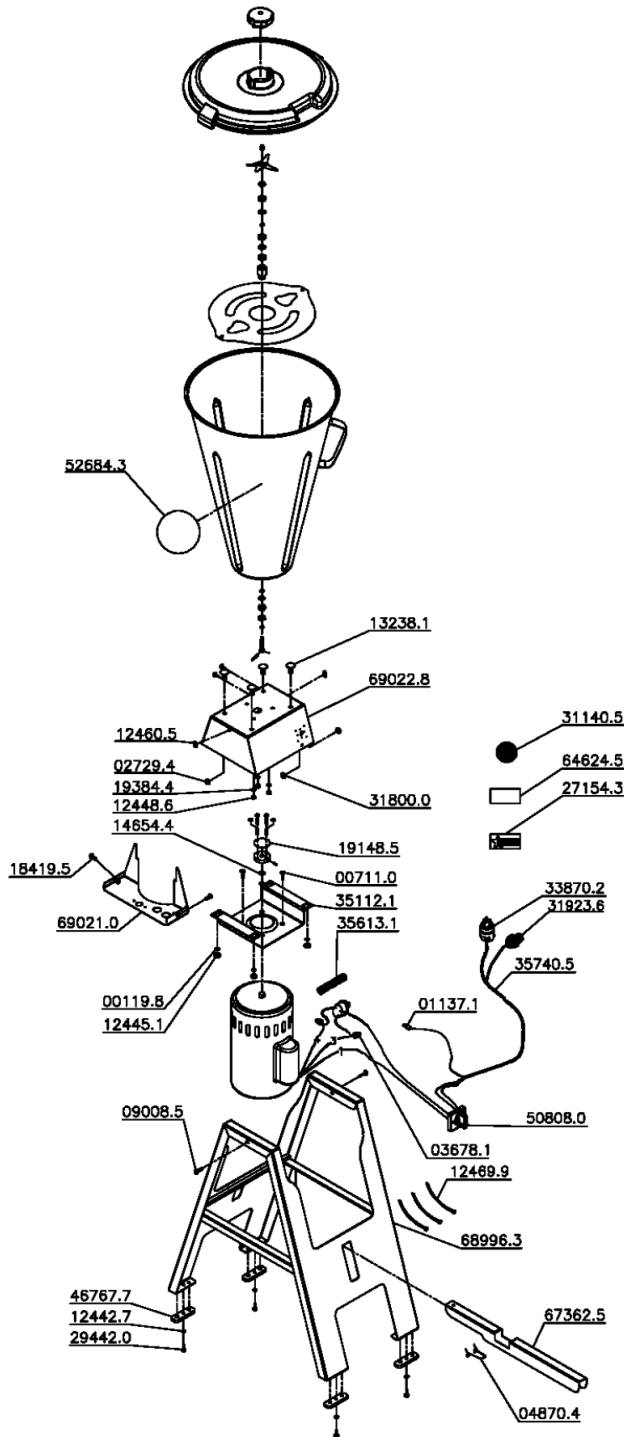
Serial Number 000378 - 000722

Item No.	Description	Position	Item No.	Description	Position	Item No.	Description	Position
79067	Pedal Separator for 31502	51024.6	AE707	CS Tilting Support (Gray) for 31502	62099.8	AE702	CS Closing Cabinet for 31502	69021.0
AE680	O Ring 27.6x25x1.3mm for 31502	51477.2	AE694	Backring Ring for 31502	64061.1	AE703	CS Tilting Support (Gray) for 31502	69022.8
AP012	Label E/I Cup MB 145mm 25 for 31502	52684.3	AE695	MB Less Overhead for 31502	64353.0	AT528	Bearing 6001 DDU Inox DI.12xDE.28xL for 31502	69451.0
AE682	Rolam.6001 DDU NSK/TK Di.12xDe.28xL.8 for 31502	55370.0	AE708	Cover 25 (FE006-112) for 31502	64359.9	AP010	Oring Ring 30.31x25.07x2.62mm for 31502	69626.7
AE684	Distancing Washer for 31502	56769.8	AE697	CS Tilting Support (Gray) for 31502	64623.7	AT529	Sealing Ring (698160) for 31502	69816.0
AE685	PCA Sex Low M24x1.5 Stainless Steel for 31502	57018.4	AE698	Danger I/F for 31502	64624.5	AP011	Bearing + Rings (Scraper/Seal) + R for 31502	69826.8
AE687	Central Axle for 31502	57033.8	AE699	Protection Plate for 31502	64686.5	AT530	Scraper Ring (698333) for 31502	69833.3
AE705	Full Cup for 31502	57039.7	AE700	Motor 1,5CV 60Hz W (14547104) for 31502	64699.7	AE686	Complete Cutting/Bearing Assembly for 31502	69833.5
AE689	Distancer for 31502	57078.8	38306	Complete Lid 25 (FE006 112) for 31502	65172.9	AP609	Center Bearing for 31502	69833.6
AE690	Guide Pin 6x50 Din 7 m6 W/Down for 31502	57107.5	AP009	Pedal (Grey) for 31502	67362.5	AT531	Retainer + Rings (Scraper/Seal) for 31502	70013.3
AE706	Complete Cup for 31502	58928.4	AC966	Stand Grey for 31502	68996.3	45648	Rotating Disconnect Key Switch New Style for 31502	70232.7

Parts Breakdown

Model BL-BR-0025 31502

Serial Number 000723 - 000792



Parts Breakdown

Model BL-BR-0025 31502

Serial Number 000723 - 000792

Item No.	Description	Position	Item No.	Description	Position	Item No.	Description	Position
38109	Skymesen Logo Small for 31502	00047.7	16423	Washer L.A8.4 Stainless Steel for 31502	12460.5	67038	Grounded Wire Label for 31502	31140.5
30234	Washer L 1/4x1 6 ZB for 31502	00100.7	30045	Bracer K22-LM (T-80I) for 31502	12469.9	67039	Nut M4 Din 985 Stainless Steel for 31502	31800.0
30258	Washer L 5/16 ZB for 31502	00119.8	38086	Screw M8x16 Din 933 Stainless Steel for 31502	13238.1	27726	Cord Holder PG13.5 LC+P/9 for 31502	31923.6
38217	Elastic Pin 6x22 for 31502	00212.7	38208	Wire Passer Molde 0922231 for 31502	13737.5	AE678	American Plug Cert.20A 115V (4A255) for 31502	33870.2
30186	Wire Passer Molde 0922231 for 31502	00218.6	67029	Screw M6x10 Din 933 Stainless Steel for 31502	13759.6	27754	Maintenance/Cleaning Label for 31502	34686.1
AE704	Pin Elast.6x50 Din 1481 for 31502	00267.4	38292	Screw M6x8 Din 84 ZB for 31502	14174.7	38322	Rubber Foot for 31502	34895.3
30324	Six Sided Screw UNC 3/8x7/8 RTZB for 31502	00711.0	16434	Motor 1 5HP 60Hz 110V for 31502	14211.5	38202	Motor Support for 31502	35057.5
AE670	Term. Eyelet for 31502	01137.1	38274	V'Ring 16 5x10 5x5 5 for 31502	14624.2	79052	CS Easel Gray for 31502	35111.3
27692	Insult Term EF-4228 for 31502	01213.0	38319	Distance Washer for 31502	14644.7	38288	Motor Support (Grey) for 31502	35112.1
AE671	PFS M5x10 Din 7985 ZB for 31502	01639.0	38317	Central Bearing W/Bush for 31502	14650.1	38289	Plastic Conduit for 31502	35613.1
30350	Nylon Cover CN-4472 for 31502	02031.1	38314	Lower Nut M22x1.5 for 31502	14653.6	AE679	CB.3x3.3mm2 SJX2M Certif. for 31502	35740.5
38557	Screw Nut Din 934 ZB for 31502	02729.4	38295	Fiber Washer 20x13x0.7 for 31502	14654.4	79055	Sleeve for 31502	39691.5
27693	Washer L.A8,4 ZB for 31502	02730.8	38312	Nut 10x1.25 for 31502	14660.9	AT527	PFS M5x8 Din 916 Inox for 31502	40739.9
38180	Screw Nut M6 Din 934 ZB for 31502	03099.6	38308	Complete Clutch for 31502	15815.1	70157	Cap Cover for 31502	40753.4
38320	Nut M5 Din 934 ZB for 31502	03145.3	38316	Cover for 31502	17456.4	27845	Blade PCA/CS Helice Type MB for 31502	40830.1
27695	Allen Screw M6x8 for 31502	03188.7	79037	Positive Terminal Lock for 31502	17581.1	38304	Cup Set for 31502	40859.0
27696	Nylon Cover CN 4478 for 31502	03678.1	30050	Terminal Cover for 31502	17582.0	79061	Complete Cutting Assy for 31502	40867.0
24023	The Spring Rocker for 31502	04870.4	AE674	M6x16 Din 7985 Stainless for 31502	18419.5	38315	Center Axis for 31502	40868.9
38220	Distanc. Washer for 31502	05041.5	27709	Screw M8x16 Din 933 ZB for 31502	19059.4	38303	Complete Cup for 31502	40872.7
38297	PFS M8x40 Din 933 ZB for 31502	09008.5	79041	Deflector for 31502	19148.5	38284	CS Tilting Base Support (Grey) for 31502	41009.8
38171	Cord 3x1 5mm2 W/PGRE 2PC1PR for 31502	09104.9	38341	Washer 1/4x5/8x1.2mm Stainless Steel for 31502	19384.4	AC967	Cup Safety Device for 31502	42564.8
38318	Bearing Seal Ring for 31502	09167.7	38087	Washer L.A5.3 Din 125 Inox for 31502	20194.4	AC968	CS Cup for 31502	44442.1
38296	Washer L A10.5 ZB for 31502	09338.6	38313	Seal V'Ring 16,5x10,5x5,5 for 31502	20378.5	38300	Rectangular Foot (Mol 483753) for 31502	46767.7
AE672	Earring Ring 12x1 Din 471 for 31502	12344.7	27720	Omcan Logo (Machines) for 31502	27154.3	79065	CB. Ground 1.5mm 2x420mm for 31502	48415.6
16418	Nut N M6 Din 985 Stainless Steel for 31502	12441.9	38302	PFS Auto Broc 4.2x13 ZB for 31502	29442.0	78551	Cleaning Maintenance Label for 31502	50665.6
16419	Washer L.A6 4 125 Inox for 31502	12442.7	AE675	Retainer Di.12xDe.28xL.7 for 31502	29585.0	79067	Pedal Separator for 31502	51024.6
16421	Screw Nut M8 934 Inox for 31502	12445.1	AE676	Ring 28x1.2 Din 472 Fosf. for 31502	29966.9	AE680	O Ring 27.6x25x1.3mm for 31502	51477.2
38281	Screw Nut M6 Din934 Inox for 31502	12448.6	AE677	Key W/Prot.30223 M2FT2FE3V/19 for 31502	30565.0	AP012	Label E/I Cup MB 145mm 25 for 31502	52684.3

Parts Breakdown

Model BL-BR-0025 31502

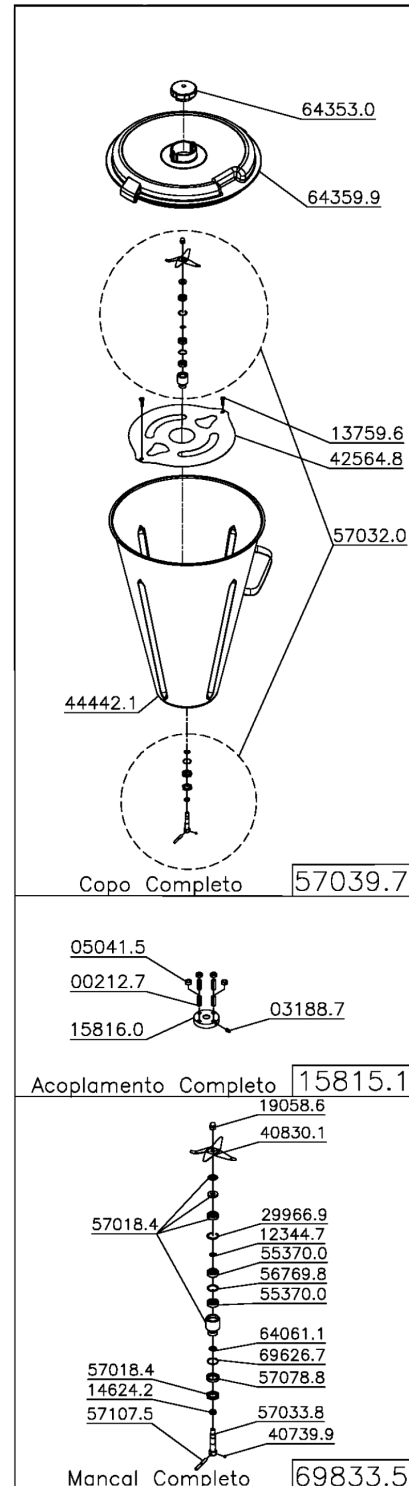
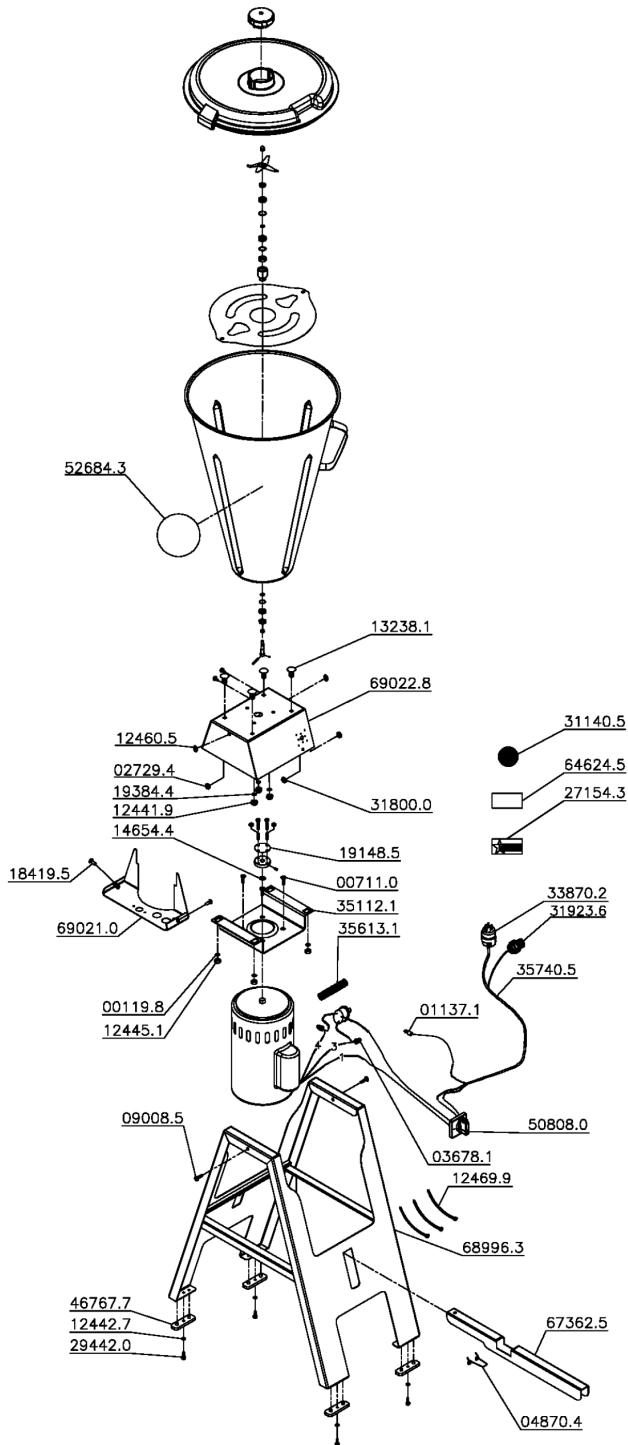
Serial Number 000723 - 000792

Item No.	Description	Position	Item No.	Description	Position	Item No.	Description	Position
AE682	Rolam.6001 DDU NSK/TK Di.12xDe.28xL.8 for 31502	55370.0	AE695	MB Less Overhead for 31502	64353.0	AE703	CS Tilting Support (Gray) for 31502	69022.8
AE684	Distancing Washer for 31502	56769.8	AE708	Cover 25 (FE006-112) for 31502	64359.9	AT528	Bearing 6001 DDU Inox Di.12xDE.28xL for 31502	69451.0
AE685	PCA Sex Low M24x1.5 Stainless Steel for 31502	57018.4	AE697	CS Tilting Support (Gray) for 31502	64623.7	AP010	Oring Ring 30.31x25.07x2.62mm for 31502	69626.7
AE687	Central Axle for 31502	57033.8	AE698	Danger I/F for 31502	64624.5	AT529	Sealing Ring (698160) for 31502	69816.0
AE705	Full Cup for 31502	57039.7	AE699	Protection Plate for 31502	64686.5	AP011	Bearing + Rings (Scraper/Seal) + R for 31502	69826.8
AE689	Distancer for 31502	57078.8	AE700	Motor 1,5CV 60Hz W (14547104) for 31502	64699.7	AT530	Scraper Ring (698333) for 31502	69833.3
AE690	Guide Pin 6x50 Din 7 m6 W/Down for 31502	57107.5	38306	Complete Lid 25 (FE006 112) for 31502	65172.9	AE686	Complete Cutting/Bearing Assembly for 31502	69833.5
AE706	Complete Cup for 31502	58928.4	AP009	Pedal (Grey) for 31502	67362.5	AP609	Center Bearing for 31502	69833.6
AE707	CS Tilting Support (Gray) for 31502	62099.8	AC966	Stand Grey for 31502	68996.3	AT531	Retainer + Rings (Scraper/Seal) for 31502	70013.3
AE694	Backring Ring for 31502	64061.1	AE702	CS Closing Cabinet for 31502	69021.0	45648	Rotating Disconnect Key Switch New Style for 31502	70232.7

Parts Breakdown

Model BL-BR-0025 31502

Serial Number 000793 - 000812



Parts Breakdown

Model BL-BR-0025 31502

Serial Number 000793 - 000812

Item No.	Description	Position	Item No.	Description	Position	Item No.	Description	Position
38109	Skymesen Logo Small for 31502	00047.7	38281	Screw Nut M6 Din934 Inox for 31502	12448.6	AE676	Ring 28x1.2 Din 472 Fosf. for 31502	29966.9
30234	Washer L 1/4x1 6 ZB for 31502	00100.7	16423	Washer L.A8.4 Stainless Steel for 31502	12460.5	AE677	Key W/Prot.30223 M2FT2FE3V/19 for 31502	30565.0
30258	Washer L 5/16 ZB for 31502	00119.8	30045	Bracer K22-LM (T-80I) for 31502	12469.9	67038	Grounded Wire Label for 31502	31140.5
38217	Elastic Pin 6x22 for 31502	00212.7	38086	Screw M8x16 Din 933 Stainless Steel for 31502	13238.1	67039	Nut M4 Din 985 Stainless Steel for 31502	31800.0
30186	Wire Passer Molde 0922231 for 31502	00218.6	38208	Wire Passer Molde 0922231 for 31502	13737.5	27726	Cord Holder PG13.5 LC+P/9 for 31502	31923.6
AE704	Pin Elast.6x50 Din 1481 for 31502	00267.4	67029	Screw M6x10 Din 933 Stainless Steel for 31502	13759.6	AE678	American Plug Cert.20A 115V (4A255) for 31502	33870.2
30324	Six Sided Screw UNC 3/8x7/8 RTZB for 31502	00711.0	38292	Screw M6x8 Din 84 ZB for 31502	14174.7	27754	Maintenance/Cleaning Label for 31502	34686.1
AE670	Term. Eyelet for 31502	01137.1	16434	Motor 1 5HP 60Hz 110V for 31502	14211.5	38322	Rubber Foot for 31502	34895.3
27692	Insult Term EF-4228 for 31502	01213.0	38274	V'Ring 16 5x10 5x5 5 for 31502	14624.2	38202	Motor Support/Plate Protection for 31502	35057.5
AE671	PFS M5x10 Din 7985 ZB for 31502	01639.0	38319	Distance Washer for 31502	14644.7	79052	CS Easel Gray for 31502	35111.3
30350	Nylon Cover CN-4472 for 31502	02031.1	38317	Central Bearing W/Bush for 31502	14650.1	38288	Motor Support (Grey) for 31502	35112.1
38557	Screw Nut Din 934 ZB for 31502	02729.4	38314	Lower Nut M22x1.5 for 31502	14653.6	38289	Plastic Conduit for 31502	35613.1
27693	Washer L.A8,4 ZB for 31502	02730.8	38295	Fiber Washer 20x13x0.7 for 31502	14654.4	AE679	CB.3x3.3mm2 SJX2M Certif. for 31502	35740.5
38180	Screw Nut M6 Din 934 ZB for 31502	03099.6	38312	Nut 10x1.25 for 31502	14660.9	79055	Sleeve for 31502	39691.5
38320	Nut M5 Din 934 ZB for 31502	03145.3	38308	Complete Clutch for 31502	15815.1	AT527	PFS M5x8 Din 916 Inox for 31502	40739.9
27695	Allen Screw M6x8 for 31502	03188.7	38316	Cover for 31502	17456.4	70157	Cap Cover for 31502	40753.4
27696	Nylon Cover CN 4478 for 31502	03678.1	79037	Positive Terminal Lock for 31502	17581.1	27845	Blade PCA/CS Helice Type MB for 31502	40830.1
24023	The Spring Rocker for 31502	04870.4	30050	Terminal Cover for 31502	17582.0	38304	Cup Set for 31502	40859.0
38220	Distanc. Washer for 31502	05041.5	AE674	PFS M6x16 Din 7985 Stainless for 31502	18419.5	79061	Complete Cutting Assy for 31502	40867.0
38297	PFS M8x40 Din 933 ZB for 31502	09008.5	27709	Screw M8x16 Din 933 ZB for 31502	19059.4	38315	Center Axis for 31502	40868.9
38171	Cord 3x1.5mm2 W/PGRE 2PC1PR for 31502	09104.9	79041	Deflector for 31502	19148.5	38303	Complete Cup for 31502	40872.7
38318	Bearing Seal Ring for 31502	09167.7	38341	Washer 1/4x5/8x1.2mm Stainless Steel for 31502	19384.4	38284	CS Tilting Base Support (Grey) for 31502	41009.8
38296	Washer L A10.5 ZB for 31502	09338.6	38087	Washer L.A5.3 Din 125 Inox for 31502	20194.4	AC967	Cup Safety Device for 31502	42564.8
AE672	Earring Ring 12x1 Din 471 for 31502	12344.7	38313	Seal V'Ring 16,5x10,5x5,5 for 31502	20378.5	AC968	CS Cup for 31502	44442.1
16418	Nut N M6 Din 985 Stainless Steel for 31502	12441.9	27720	Omcan Logo (Machines) for 31502	27154.3	38300	Rectangular Foot (Mol 483753) for 31502	46767.7
16419	Washer L.A6 4 125 Inox for 31502	12442.7	38302	PFS Auto Broc 4.2x13 ZB for 31502	29442.0	79065	CB. Ground 1.5mm 2x420mm for 31502	48415.6
16421	Screw Nut M8 934 Inox for 31502	12445.1	AE675	Retainer Di.12xDe.28xL.7 for 31502	29585.0	78551	Cleaning Maintenance Label for 31502	50665.6

Parts Breakdown

Model BL-BR-0025 31502

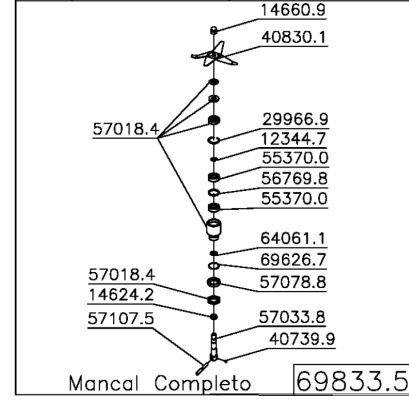
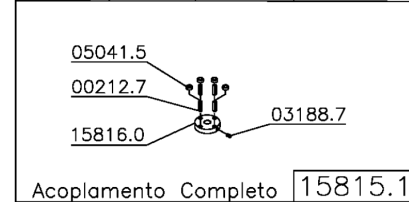
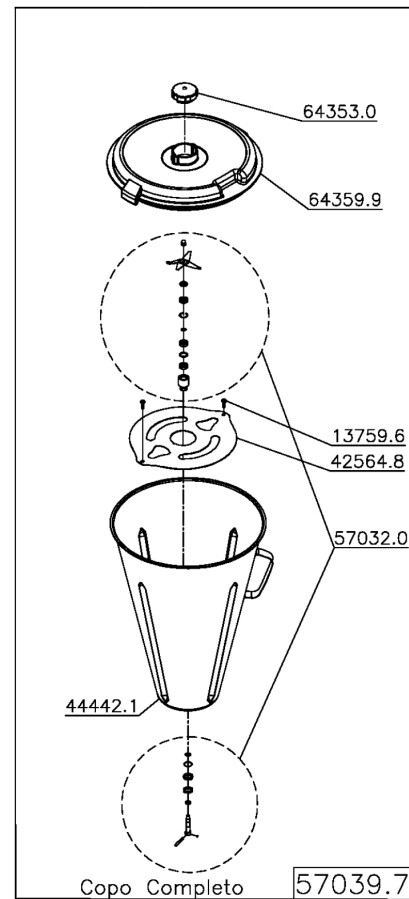
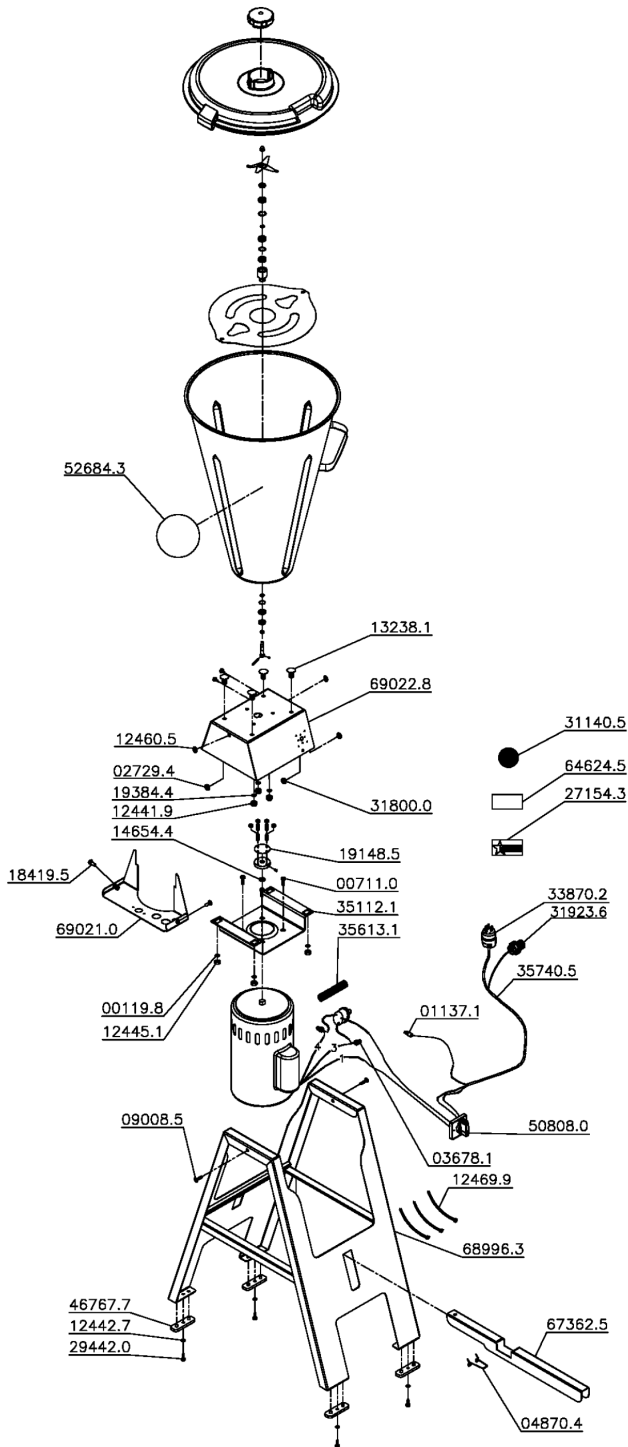
Serial Number 000793 - 000812

Item No.	Description	Position	Item No.	Description	Position	Item No.	Description	Position
79067	Pedal Separator for 31502	51024.6	AE707	CS Tilting Support (Gray) for 31502	62099.8	AE702	CS Closing Cabinet for 31502	69021.0
AE680	O Ring 27.6x25x1.3mm for 31502	51477.2	AE694	Backring Ring for 31502	64061.1	AE703	CS Tilting Support (Gray) for 31502	69022.8
AP012	Label E/I Cup MB 145mm 25 for 31502	52684.3	AE695	MB Less Overhead for 31502	64353.0	AT528	Bearing 6001 DDU Inox DI.12xDE.28xL for 31502	69451.0
AE682	Rolam.6001 DDU NSK/TK Di.12xDe.28xL.8 for 31502	55370.0	AE708	Cover 25 (FE006-112) for 31502	64359.9	AP010	Oring Ring 30.31x25.07x2.62mm for 31502	69626.7
AE684	Distancing Washer for 31502	56769.8	AE697	CS Tilting Support (Gray) for 31502	64623.7	AT529	Sealing Ring (698160) for 31502	69816.0
AE685	PCA Sex Low M24x1.5 Stainless Steel for 31502	57018.4	AE698	Danger I/F for 31502	64624.5	AP011	Bearing + Rings (Scraper/Seal) + R for 31502	69826.8
AE687	Central Axle for 31502	57033.8	AE699	Protection Plate for 31502	64686.5	AT530	Scraper Ring (698333) for 31502	69833.3
AE705	Full Cup for 31502	57039.7	AE700	Motor 1,5CV 60Hz W (14547104) for 31502	64699.7	AE686	Complete Cutting/Bearing Assembly for 31502	69833.5
AE689	Distancer for 31502	57078.8	38306	Complete Lid 25 (FE006 112) for 31502	65172.9	AP609	Center Bearing for 31502	69833.6
AE690	Guide Pin 6x50 Din 7 m6 W/Down for 31502	57107.5	AP009	Pedal (Grey) for 31502	67362.5	AT531	Retainer + Rings (Scraper/Seal) for 31502	70013.3
AE706	Complete Cup for 31502	58928.4	AC966	Stand Grey for 31502	68996.3	45648	Rotating Disconnect Key Switch New Style for 31502	70232.7

Parts Breakdown

Model BL-BR-0025 31502

Serial Number 000813 - 001039



Parts Breakdown

Model BL-BR-0025 31502

Serial Number 000813 - 001039

Item No.	Description	Position	Item No.	Description	Position	Item No.	Description	Position
38109	Skymesen Logo Small for 31502	00047.7	38281	Screw Nut M6 Din934 Inox for 31502	12448.6	AE676	Ring 28x1.2 Din 472 Fosf. for 31502	29966.9
30234	Washer L 1/4x1 6 ZB for 31502	00100.7	16423	Washer L.A8.4 Stainless Steel for 31502	12460.5	AE677	Key W/Prot.30223 M2FT2FE3V/19 for 31502	30565.0
30258	Washer L 5/16 ZB for 31502	00119.8	30045	Bracer K22-LM (T-80I) for 31502	12469.9	67038	Grounded Wire Label for 31502	31140.5
38217	Elastic Pin 6x22 for 31502	00212.7	38086	Screw M8x16 Din 933 Stainless Steel for 31502	13238.1	67039	Nut M4 Din 985 Stainless Steel for 31502	31800.0
30186	Wire Passer Molde 0922231 for 31502	00218.6	38208	Wire Passer Molde 0922231 for 31502	13737.5	27726	Cord Holder PG13.5 LC+P/9 for 31502	31923.6
AE704	Pin Elast.6x50 Din 1481 for 31502	00267.4	67029	Screw M6x10 Din 933 Stainless Steel for 31502	13759.6	AE678	American Plug Cert.20A 115V (4A255) for 31502	33870.2
30324	Six Sided Screw UNC 3/8x7/8 RTZB for 31502	00711.0	38292	Screw M6x8 Din 84 ZB for 31502	14174.7	27754	Maintenance/Cleaning Label for 31502	34686.1
AE670	Term. Eyelet for 31502	01137.1	16434	Motor 1 5HP 60Hz 110V for 31502	14211.5	38322	Rubber Foot for 31502	34895.3
27692	Insult Term EF-4228 for 31502	01213.0	38274	V'Ring 16 5x10 5x5 5 for 31502	14624.2	38202	Motor Support/Plate Protection for 31502	35057.5
AE671	PFS M5x10 Din 7985 ZB for 31502	01639.0	38319	Distance Washer for 31502	14644.7	79052	CS Easel Gray for 31502	35111.3
30350	Nylon Cover CN-4472 for 31502	02031.1	38317	Central Bearing W/Bush for 31502	14650.1	38288	Motor Support (Grey) for 31502	35112.1
38557	Screw Nut Din 934 ZB for 31502	02729.4	38314	Lower Nut M22x1.5 for 31502	14653.6	38289	Plastic Conduit for 31502	35613.1
27693	Washer L.A8,4 ZB for 31502	02730.8	38295	Fiber Washer 20x13x0.7 for 31502	14654.4	AE679	CB.3x3.3mm2 SJX2M Certif. for 31502	35740.5
38180	Screw Nut M6 Din 934 ZB for 31502	03099.6	38312	Nut 10x1.25 for 31502	14660.9	79055	Sleeve for 31502	39691.5
38320	Nut M5 Din 934 ZB for 31502	03145.3	38308	Complete Clutch for 31502	15815.1	AT527	PFS M5x8 Din 916 Inox for 31502	40739.9
27695	Allen Screw M6x8 for 31502	03188.7	38316	Cover for 31502	17456.4	70157	Cap Cover for 31502	40753.4
27696	Nylon Cover CN 4478 for 31502	03678.1	79037	Positive Terminal Lock for 31502	17581.1	27845	Blade PCA/CS Helice Type MB for 31502	40830.1
24023	The Spring Rocker for 31502	04870.4	30050	Terminal Cover for 31502	17582.0	38304	Cup Set for 31502	40859.0
38220	Distanc. Washer for 31502	05041.5	AE674	PFS M6x16 Din 7985 Stainless for 31502	18419.5	79061	Complete Cutting Assy for 31502	40867.0
38297	PFS M8x40 Din 933 ZB for 31502	09008.5	27709	Screw M8x16 Din 933 ZB for 31502	19059.4	38315	Center Axis for 31502	40868.9
38171	Cord 3x1 5mm2 W/PGRE 2PC1PR for 31502	09104.9	79041	Deflector for 31502	19148.5	38303	Complete Cup for 31502	40872.7
38318	Bearing Seal Ring for 31502	09167.7	38341	Washer 1/4x5/8x1.2mm Stainless Steel for 31502	19384.4	38284	CS Tilting Base Support (Grey) for 31502	41009.8
38296	Washer L A10.5 ZB for 31502	09338.6	38087	Washer L.A5.3 Din 125 Inox for 31502	20194.4	AC967	Cup Safety Device for 31502	42564.8
AE672	Earring Ring 12x1 Din 471 for 31502	12344.7	38313	Seal V'Ring 16,5x10,5x5,5 for 31502	20378.5	AC968	CS Cup for 31502	44442.1
16418	Nut N M6 Din 985 Stainless Steel for 31502	12441.9	27720	Omcan Logo (Machines) for 31502	27154.3	38300	Rectangular Foot (Mol 483753) for 31502	46767.7
16419	Washer L.A6 4 125 Inox for 31502	12442.7	38302	PFS Auto Broc 4.2x13 ZB for 31502	29442.0	79065	CB. Ground 1.5mm 2x420mm for 31502	48415.6
16421	Screw Nut M8 934 Inox for 31502	12445.1	AE675	Retainer Di.12xDe.28xL.7 for 31502	29585.0	78551	Cleaning Maintenance Label for 31502	50665.6

Parts Breakdown

Model BL-BR-0025 31502

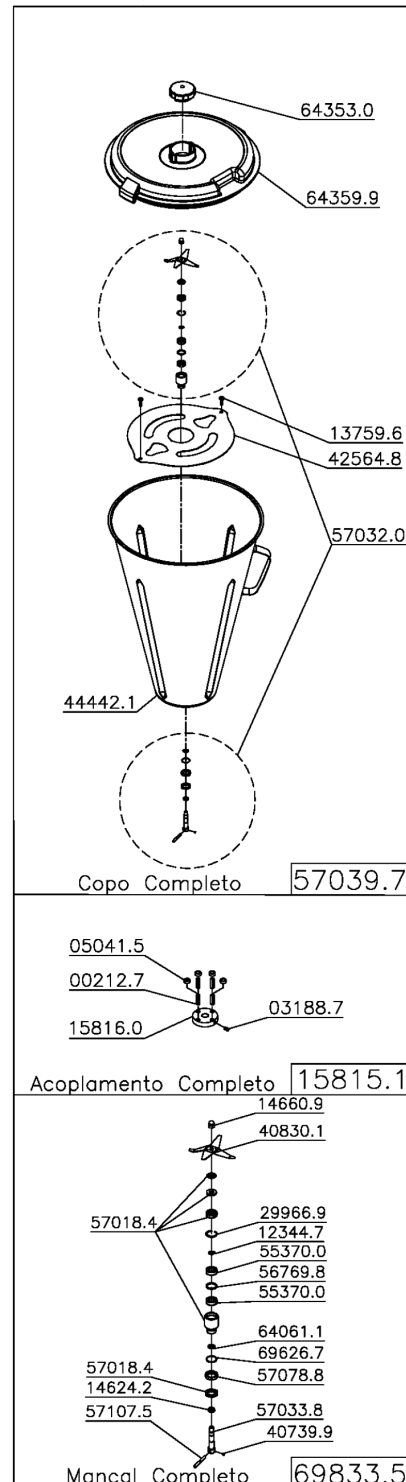
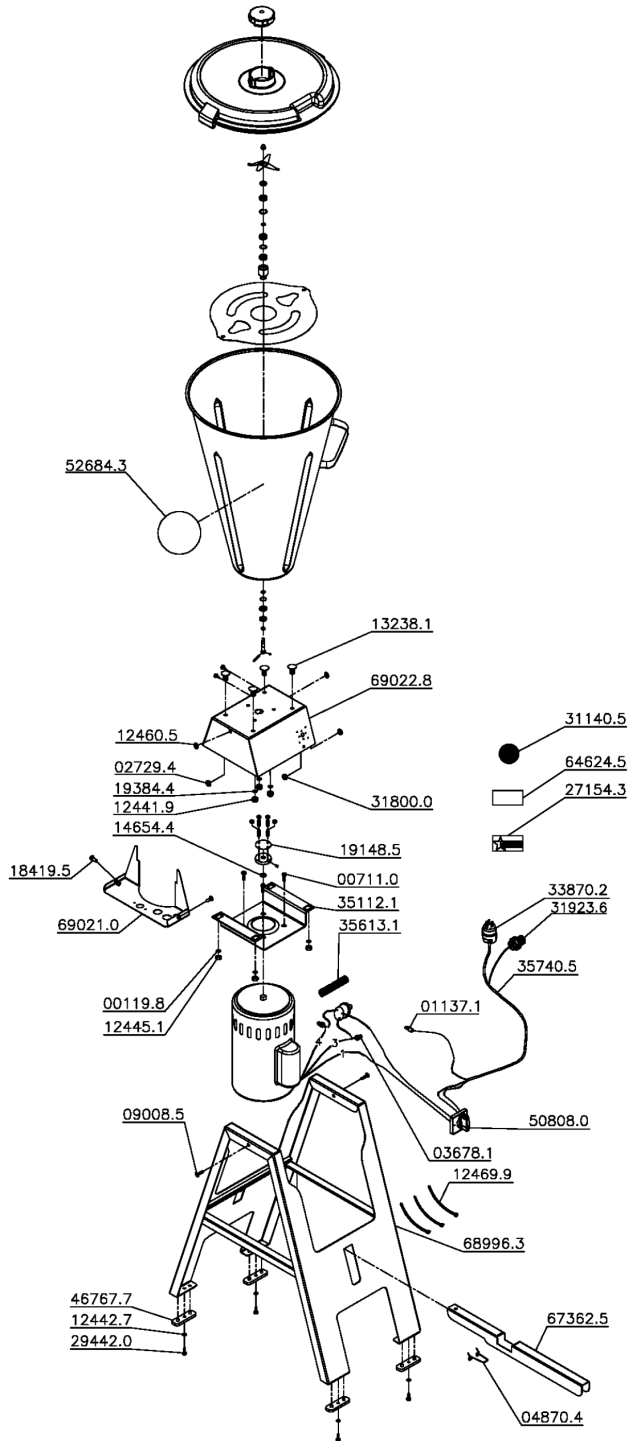
Serial Number 000813 - 001039

Item No.	Description	Position	Item No.	Description	Position	Item No.	Description	Position
79067	Pedal Separator for 31502	51024.6	AE707	CS Tilting Support (Gray) for 31502	62099.8	AE702	CS Closing Cabinet for 31502	69021.0
AE680	O Ring 27.6x25x1.3mm for 31502	51477.2	AE694	Backring Ring for 31502	64061.1	AE703	CS Tilting Support (Gray) for 31502	69022.8
AP012	Label E/I Cup MB 145mm 25 for 31502	52684.3	AE695	MB Less Overhead for 31502	64353.0	AT528	Bearing 6001 DDU Inox DI.12xDE.28xL for 31502	69451.0
AE682	Rolam.6001 DDU NSK/TK Di.12xDe.28xL.8 for 31502	55370.0	AE708	Cover 25 (FE006-112) for 31502	64359.9	AP010	Oring Ring 30.31x25.07x2.62mm for 31502	69626.7
AE684	Distancing Washer for 31502	56769.8	AE697	CS Tilting Support (Gray) for 31502	64623.7	AT529	Sealing Ring (698160) for 31502	69816.0
AE685	PCA Sex Low M24x1.5 Stainless Steel for 31502	57018.4	AE698	Danger I/F for 31502	64624.5	AP011	Bearing + Rings (Scraper/Seal) + R for 31502	69826.8
AE687	Central Axle for 31502	57033.8	AE699	Protection Plate for 31502	64686.5	AT530	Scraper Ring (698333) for 31502	69833.3
AE705	Full Cup for 31502	57039.7	AE700	Motor 1,5CV 60Hz W (14547104) for 31502	64699.7	AE686	Complete Cutting/Bearing Assembly for 31502	69833.5
AE689	Distancer for 31502	57078.8	38306	Complete Lid 25 (FE006 112) for 31502	65172.9	AP609	Center Bearing for 31502	69833.6
AE690	Guide Pin 6x50 Din 7 m6 W/Down for 31502	57107.5	AP009	Pedal (Grey) for 31502	67362.5	AT531	Retainer + Rings (Scraper/Seal) for 31502	70013.3
AE706	Complete Cup for 31502	58928.4	AC966	Stand Grey for 31502	68996.3	45648	Rotating Disconnect Key Switch New Style for 31502	70232.7

Parts Breakdown

Model BL-BR-0025 31502

Serial Number 001040 - 010079



Parts Breakdown

Model BL-BR-0025 31502

Serial Number 001040 - 010079

Item No.	Description	Position	Item No.	Description	Position	Item No.	Description	Position
38109	Skymesen Logo Small for 31502	00047.7	38281	Screw Nut M6 Din934 Inox for 31502	12448.6	AE676	Ring 28x1.2 Din 472 Fosf. for 31502	29966.9
30234	Washer L 1/4x1 6 ZB for 31502	00100.7	16423	Washer L.A8.4 Stainless Steel for 31502	12460.5	AE677	Key W/Prot.30223 M2FT2FE3V/19 for 31502	30565.0
30258	Washer L 5/16 ZB for 31502	00119.8	30045	Bracer K22-LM (T-80I) for 31502	12469.9	67038	Grounded Wire Label for 31502	31140.5
38217	Elastic Pin 6x22 for 31502	00212.7	38086	Screw M8x16 Din 933 Stainless Steel for 31502	13238.1	67039	Nut M4 Din 985 Stainless Steel for 31502	31800.0
30186	Wire Passer Molde 0922231 for 31502	00218.6	38208	Wire Passer Molde 0922231 for 31502	13737.5	27726	Cord Holder PG13.5 LC+P/9 for 31502	31923.6
AE704	Pin Elast.6x50 Din 1481 for 31502	00267.4	67029	Screw M6x10 Din 933 Stainless Steel for 31502	13759.6	AE678	American Plug Cert.20A 115V (4A255) for 31502	33870.2
30324	Six Sided Screw UNC 3/8x7/8 RTZB for 31502	00711.0	38292	Screw M6x8 Din 84 ZB for 31502	14174.7	27754	Maintenance/Cleaning Label for 31502	34686.1
AE670	Term. Eyelet for 31502	01137.1	16434	Motor 1 5HP 60Hz 110V for 31502	14211.5	38322	Rubber Foot for 31502	34895.3
27692	Insult Term EF-4228 for 31502	01213.0	38274	V'Ring 16 5x10 5x5 5 for 31502	14624.2	38202	Motor Support/Plate Protection for 31502	35057.5
AE671	PFS M5x10 Din 7985 ZB for 31502	01639.0	38319	Distance Washer for 31502	14644.7	79052	CS Easel Gray for 31502	35111.3
30350	Nylon Cover CN-4472 for 31502	02031.1	38317	Central Bearing W/Bush for 31502	14650.1	38288	Motor Support (Grey) for 31502	35112.1
38557	Screw Nut Din 934 ZB for 31502	02729.4	38314	Lower Nut M22x1.5 for 31502	14653.6	38289	Plastic Conduit for 31502	35613.1
27693	Washer L.A8,4 ZB for 31502	02730.8	38295	Fiber Washer 20x13x0.7 for 31502	14654.4	AE679	CB.3x3.3mm2 SJX2M Certif. for 31502	35740.5
38180	Screw Nut M6 Din 934 ZB for 31502	03099.6	38312	Nut 10x1.25 for 31502	14660.9	79055	Sleeve for 31502	39691.5
38320	Nut M5 Din 934 ZB for 31502	03145.3	38308	Complete Clutch for 31502	15815.1	AT527	PFS M5x8 Din 916 Inox for 31502	40739.9
27695	Allen Screw M6x8 for 31502	03188.7	38316	Cover for 31502	17456.4	70157	Cap Cover for 31502	40753.4
27696	Nylon Cover CN 4478 for 31502	03678.1	79037	Positive Terminal Lock for 31502	17581.1	27845	Blade PCA/CS Helice Type MB for 31502	40830.1
24023	The Spring Rocker for 31502	04870.4	30050	Terminal Cover for 31502	17582.0	38304	Cup Set for 31502	40859.0
38220	Distanc. Washer for 31502	05041.5	AE674	PFS M6x16 Din 7985 Stainless for 31502	18419.5	79061	Complete Cutting Assy for 31502	40867.0
38297	PFS M8x40 Din 933 ZB for 31502	09008.5	27709	Screw M8x16 Din 933 ZB for 31502	19059.4	38315	Center Axis for 31502	40868.9
38171	Cord 3x1 5mm2 W/PGRE 2PC1PR for 31502	09104.9	79041	Deflector for 31502	19148.5	38303	Complete Cup for 31502	40872.7
38318	Bearing Seal Ring for 31502	09167.7	38341	Washer 1/4x5/8x1.2mm Stainless Steel for 31502	19384.4	38284	CS Tilting Base Support (Grey) for 31502	41009.8
38296	Washer L A10.5 ZB for 31502	09338.6	38087	Washer L.A5.3 Din 125 Inox for 31502	20194.4	AC967	Cup Safety Device for 31502	42564.8
AE672	Earring Ring 12x1 Din 471 for 31502	12344.7	38313	Seal V'Ring 16,5x10,5x5,5 for 31502	20378.5	AC968	CS Cup for 31502	44442.1
16418	Nut N M6 Din 985 Stainless Steel for 31502	12441.9	27720	Omcan Logo (Machines) for 31502	27154.3	38300	Rectangular Foot (Mol 483753) for 31502	46767.7
16419	Washer L.A6 4 125 Inox for 31502	12442.7	38302	PFS Auto Broc 4.2x13 ZB for 31502	29442.0	79065	CB. Ground 1.5mm 2x420mm for 31502	48415.6
16421	Screw Nut M8 934 Inox for 31502	12445.1	AE675	Retainer Di.12xDe.28xL.7 for 31502	29585.0	78551	Cleaning Maintenance Label for 31502	50665.6

Parts Breakdown

Model BL-BR-0025 31502

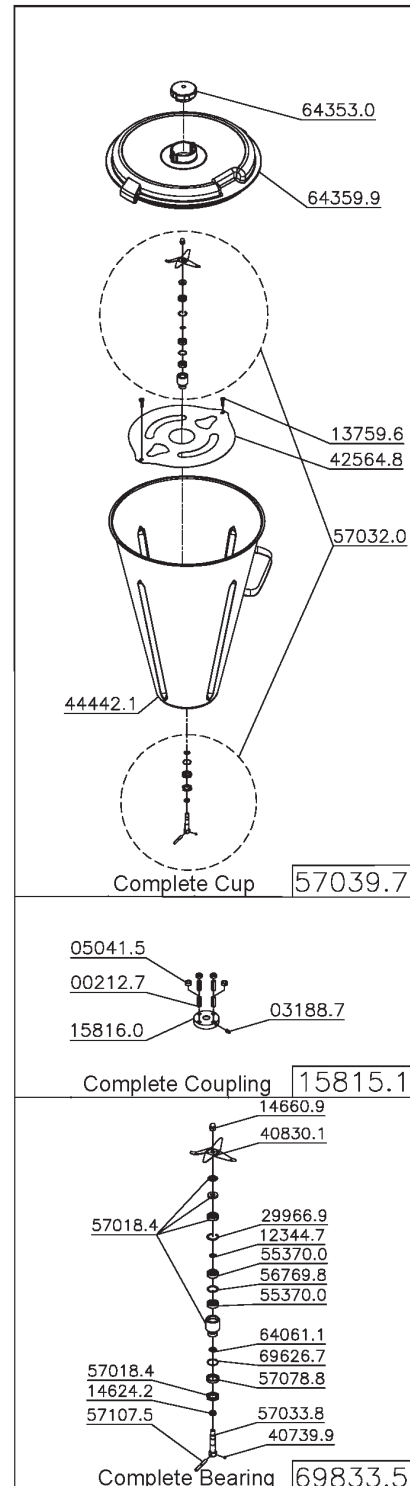
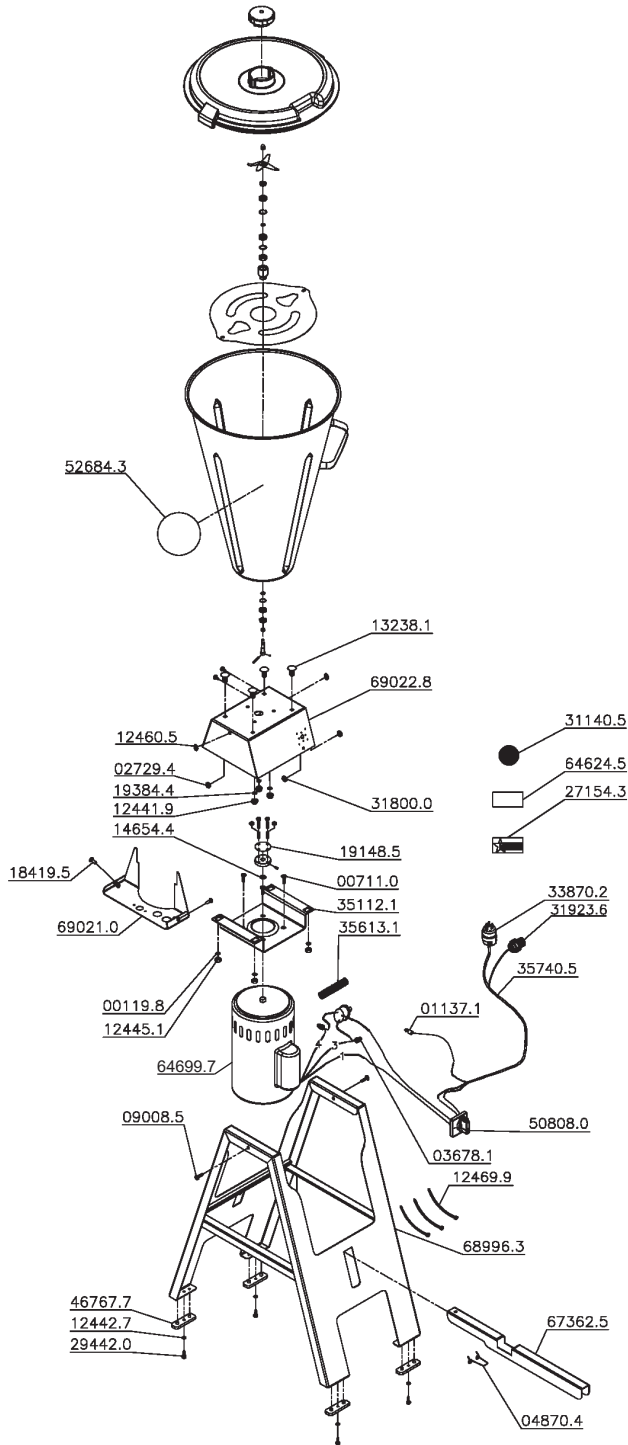
Serial Number 001040 - 010079

Item No.	Description	Position	Item No.	Description	Position	Item No.	Description	Position
79067	Pedal Separator for 31502	51024.6	AE707	CS Tilting Support (Gray) for 31502	62099.8	AE702	CS Closing Cabinet for 31502	69021.0
AE680	O Ring 27.6x25x1.3mm for 31502	51477.2	AE694	Backring Ring for 31502	64061.1	AE703	CS Tilting Support (Gray) for 31502	69022.8
AP012	Label E/I Cup MB 145mm 25 for 31502	52684.3	AE695	MB Less Overhead for 31502	64353.0	AF988	Thermal Protector 14602422 for 31502	69451.0
AE682	Rolam.6001 DDU NSK/TK Di.12xDe.28xL.8 for 31502	55370.0	AE708	Cover 25 (FE006-112) for 31502	64359.9	AP010	ORing Ring 30.31x25.07x2.62mm for 31502	69626.7
AE684	Distancing Washer for 31502	56769.8	AE697	CS Tilting Support (Gray) for 31502	64623.7	AT529	Sealing Ring (698160) for 31502	69816.0
AE685	PCA Sex Low M24x1.5 Stainless Steel for 31502	57018.4	AE698	Danger I/F for 31502	64624.5	AP011	Bearing + Rings (Scraper/Seal) + R for 31502	69826.8
AE687	Central Axle for 31502	57033.8	AE699	Protection Plate for 31502	64686.5	AT530	Scraper Ring (698333) for 31502	69833.3
AE705	Full Cup for 31502	57039.7	AE700	Motor 1,5CV 60Hz W (14547104) for 31502	64699.7	AE686	Complete Cutting/Bearing Assembly for 31502	69833.5
AE689	Distancer for 31502	57078.8	38306	Complete Lid 25 (FE006 112) for 31502	65172.9	AP609	Center Bearing for 31502	69833.6
AE690	Guide Pin 6x50 Din 7 m6 W/Down for 31502	57107.5	AP009	Pedal (Grey) for 31502	67362.5	AT531	Retainer + Rings (Scraper/Seal) for 31502	70013.3
AE706	Complete Cup for 31502	58928.4	AC966	Stand Grey for 31502	68996.3	45648	Rotating Disconnect Key Switch New Style for 31502	70232.7

Parts Breakdown

Model BL-BR-0025 31502

Serial Number 010080 - present



Parts Breakdown

Model BL-BR-0025 31502

Serial Number 010080 – present

Item No.	Description	Position	Item No.	Description	Position	Item No.	Description	Position
30258	Washer L 5/16 ZB for 31502	00119.8	38308	Complete Clutch for 31502	15815.1	AP012	Label E/I Cup MB 145mm 25 for 31502	52684.3
38217	Elastic Pin 6x22 for 31502	00212.7	38222	Nut 10x1.25 for 31502	15816.0	AE682	Rolam.6001 DDU NSK/TK Di.12xDe.28xL.8 for 31502	55370.0
30324	Six Sided Screw UNC 3/8x7/8 RTZB for 31502	00711.0	AE674	PFS M6x16 Din 7985 Stainless for 31502	18419.5	AE684	Distancing Washer for 31502	56769.8
AE670	Term. Eyelet for 31502	01137.1	79041	Deflector for 31502	19148.5	AE685	PCA Sex Low M24x1.5 Stainless Steel for 31502	57018.4
38557	Screw Nut Din 934 ZB for 31502	02729.4	38341	Washer 1/4x5/8x1.2mm Stainless Steel for 31502	19384.4	AE686	Complete Cutting/Bearing Assembly for 31502	57032.0
27695	Allen Screw M6x8 for 31502	03188.7	27720	Omcan Logo (Machines) for 31502	27154.3	AE687	Central Axle for 31502	57033.8
27696	Nylon Cover CN 4478 for 31502	03678.1	38302	PFS Auto Broc 4.2x13 ZB for 31502	29442.0	AE705	Full Cup for 31502	57039.7
24023	The Spring Rocker for 31502	04870.4	AE676	Ring 28x1.2 Din 472 Fosf. for 31502	29966.9	AE689	Distancer for 31502	57078.8
38220	Distanc. Washer for 31502	05041.5	67038	Grounded Wire Label for 31502	31140.5	AE690	Guide Pin 6x50 Din 7 M6 w/Down for 31502	57107.5
38297	PFS M8x40 Din 933 ZB for 31502	09008.5	67039	Nut M4 Din 985 Stainless Steel for 31502	31800.0	AE694	Backring Ring for 31502	64061.1
AE672	Earring Ring 12x1 Din 471 for 31502	12344.7	27726	Cord Holder PG13.5 LC+P/9 for 31502	31923.6	AE695	MB Less Overhead for 31502	64353.0
16418	Nut N M6 Din 985 Stainless Steel for 31502	12441.9	AE678	American Plug Cert.20A 115V (4A255) for 31502	33870.2	AE708	Cover 25 (FE006-112) for 31502	64359.9
16419	Washer L.A6 4 125 Inox for 31502	12442.7	38288	Motor Support (Grey) for 31502	35112.1	AE698	Danger I / F for 31502	64624.5
16421	Screw Nut M8 934 Inox for 31502	12445.1	38289	Plastic Conduit for 31502	35613.1	AE700	Motor 1.5CV 60Hz W (14547104) for 31502	64699.7
16423	Washer L.A8.4 Stainless Steel for 31502	12460.5	AE679	CB.3x3.3mm2 SJX2M Certif. for 31502	35740.5	AP009	Pedal (Grey) for 31502	67362.5
30045	Bracer K22-LM(T-80) for 31502	12469.9	38482	Screw M5x10 Din 84 Inox for 31502	40739.9	AC966	Stand Grey for 31502	68996.3
38086	Screw M8x16 Din 933 Stainless Steel for 31502	13238.1	27845	Blade CS Helice Type MB for 31502	40830.1	AE702	CS Closing Cabinet for 31502	69021.0
67029	Screw M6x10 Din 933 Stainless Steel for 31502	13759.6	AC967	Cup Safety Device for 31502	42564.8	AE703	CS Tilting Support (Gray) for 31502	69022.8
38274	V Ring 16 5x10 5x5 5 for 31502	14624.2	AC968	CS Cup for 31502	44442.1	AP010	Oring Ring 30.31x25.07x2.62mm for 31502	69626.7
38295	Fiber Washer 20x13x0.7 for 31502	14654.4	38300	Rectangular Foot (Mol 483753) for 31502	46767.7	AE686	Complete Cutting/Bearing Assembly for 31502	69833.5
38312	Nut 10x1.25 for 31502	14660.9	AN193	Rotary Disconnect Switch MSW 20 P2 for 31502	50808.0			