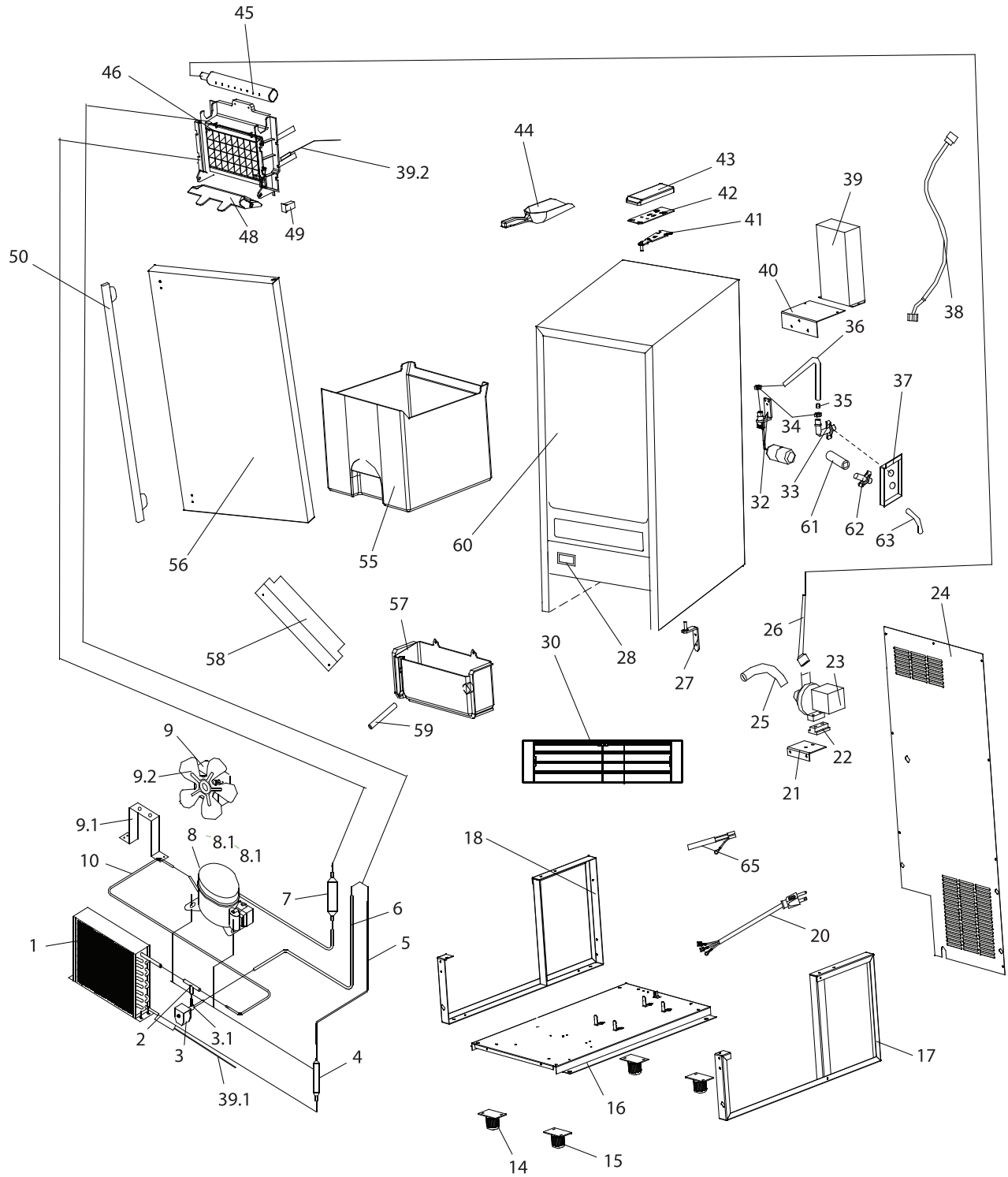


Parts Breakdown

Model IC-CN-0012 37864



Parts Breakdown

Model IC-CN-0012 37864

Item No.	Description	Position	Item No.	Description	Position	Item No.	Description	Position
40283	Condenser for 37864	1	39285	Water Pump for 37864	23	65058	Top Hinge Cover for 37864	43
40284	Hot Gas Valve Coil for 37864	3	65056	Louver for 37864	30	39291	Ice Scoop for 37864	44
40285	Hot Gas Valve Body for 37864	3.1	39292	Floater Valve for 37864	32	65059	Water Distribution Tube for 37864	45
40286	Drier for 37864	4	39289	Water Inlet Connector for 37864	33	40295	Evaporator (Ice Mold) for 37864	46
40287	Compressor for 37864	8	40291	Nut of the Water Inlet Tube for 37864	34	39287	Ice Slideway for 37864	48
40288	Fan Motor for 37864	9	40292	Water Supply Pipe for 37864	38	42882	Magnetism Switch for 37864	49
65052	Fan Blade (φ200x28°) for 37864	9.2	40293	Control Box for 37864	39	65060	Ice Storage Bin for 37864	55
65053	Left Foot for 37864	14	39276	Temperature Sensor of Condenser for 37864	39.1	40296	Drain Pipe for 37864	63
65054	Right Foot for 37864	15	39277	Temperature Sensor of Evaporator for 37864	39.2	40297	Wiring Harness for 37864	65
65055	Power Cord for 37864	20	65057	Fuse for 37864	39.3			